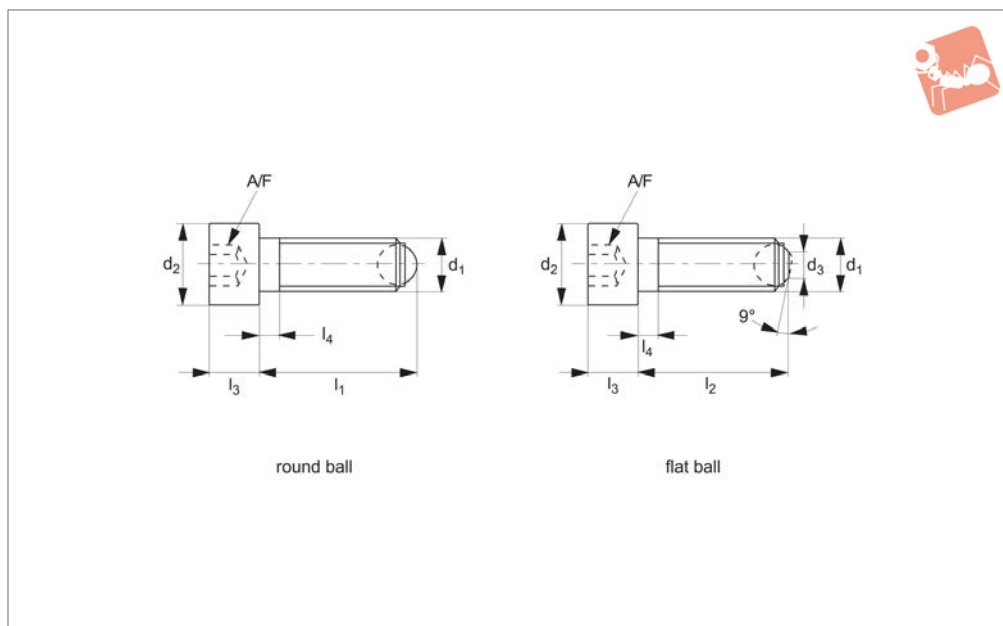




Thrust Screws - Headed ball ended - metal

Thrust Screws



34020

THRUST SCREWS

Material

Steel type-

Body: heat treated steel, 1200 +/-100 N/mm².

Ball: ball bearing steel, hardened.

Stainless steel type-

Body: stainless steel 1.4305 (AISI 303).

Ball: stainless steel, hardened.

Technical Notes

For thrust screws secured against turning - see no. 34000/X34000#26 or 34002. For clamping, tightening or supporting surfaces that are not exactly parallel.

* stated load capacity relate to steel version only.

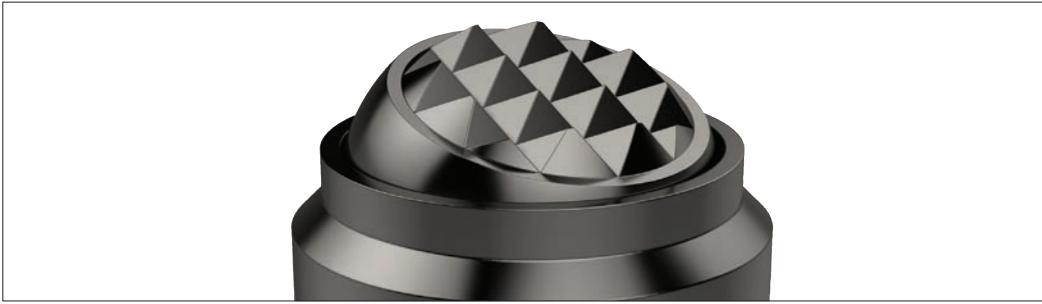
Tips

Ball not secured against rotation, it is possible for the flat faced ball to flip and expose the spherical face of the ball.

| Order No. | Material | Ball face type | d ₁ | l ₁ | l ₂ | d ₂ | d ₃ | l ₃ | l ₄ | Ball dia. | A/F | Static load kN max. | Weight g |
|-------------|----------|----------------|----------------|----------------|----------------|----------------|----------------|----------------|----------------|-----------|-----|---------------------|----------|
| 34020.W0062 | Steel | Round | M_6 | 20.8 | - | 10 | - | 6 | 3.0 | 4.0 | 5 | 9 | 6.2 |
| 34020.W0064 | Steel | Round | M_6 | 30.8 | - | 10 | - | 6 | 3.0 | 4.0 | 5 | 9 | 8.0 |
| 34020.W0066 | Steel | Round | M_6 | 40.8 | - | 10 | - | 6 | 16.0 | 4.0 | 5 | 9 | 10.0 |
| 34020.W0082 | Steel | Round | M_8 | 21.2 | - | 13 | - | 8 | 3.5 | 5.5 | 6 | 15 | 13.0 |
| 34020.W0084 | Steel | Round | M_8 | 36.2 | - | 13 | - | 8 | 3.5 | 5.5 | 6 | 15 | 17.0 |
| 34020.W0086 | Steel | Round | M_8 | 51.2 | - | 13 | - | 8 | 22.0 | 5.5 | 6 | 15 | 24.0 |
| 34020.W0102 | Steel | Round | M10 | 26.7 | - | 16 | - | 10 | 4.5 | 7.0 | 8 | 20 | 24.0 |
| 34020.W0104 | Steel | Round | M10 | 41.7 | - | 16 | - | 10 | 4.5 | 7.0 | 8 | 20 | 31.0 |
| 34020.W0106 | Steel | Round | M10 | 61.7 | - | 16 | - | 10 | 28.0 | 7.0 | 8 | 20 | 44.0 |
| 34020.W0122 | Steel | Round | M12 | 32.0 | - | 18 | - | 12 | 5.0 | 8.5 | 10 | 30 | 38.0 |
| 34020.W0124 | Steel | Round | M12 | 52.0 | - | 18 | - | 12 | 5.0 | 8.5 | 10 | 30 | 52.0 |
| 34020.W0126 | Steel | Round | M12 | 82.0 | - | 18 | - | 12 | 44.0 | 8.5 | 10 | 30 | 79.0 |
| 34020.W0162 | Steel | Round | M16 | 43.3 | - | 24 | - | 16 | 6.0 | 12.0 | 14 | 60 | 94.0 |
| 34020.W0164 | Steel | Round | M16 | 63.3 | - | 24 | - | 16 | 6.0 | 12.0 | 14 | 60 | 119.0 |
| 34020.W0166 | Steel | Round | M16 | 83.3 | - | 24 | - | 16 | 36.0 | 12.0 | 14 | 60 | 156.0 |
| 34020.W0202 | Steel | Round | M20 | 54.2 | - | 30 | - | 20 | 7.5 | 15.0 | 17 | 90 | 183.0 |
| 34020.W0204 | Steel | Round | M20 | 84.2 | - | 30 | - | 20 | 28.0 | 15.0 | 17 | 90 | 254.0 |
| 34020.W0206 | Steel | Round | M20 | 104.2 | - | 30 | - | 20 | 48.0 | 15.0 | 17 | 90 | 307.0 |
| 34020.W0242 | Steel | Round | M24 | 64.7 | - | 36 | - | 24 | 9.0 | 18.0 | 19 | 120 | 331.0 |
| 34020.W0244 | Steel | Round | M24 | 94.7 | - | 36 | - | 24 | 30.0 | 18.0 | 19 | 120 | 430.0 |
| 34020.W0246 | Steel | Round | M24 | 124.7 | - | 36 | - | 24 | 60.0 | 18.0 | 19 | 120 | 537.0 |
| 34020.W0562 | Steel | Flat, Plain | M_6 | - | 20.0 | 10 | 3.2 | 6 | 3.0 | 4.0 | 5 | 9 | 6.1 |
| 34020.W0564 | Steel | Flat, Plain | M_6 | - | 30.0 | 10 | 3.2 | 6 | 3.0 | 4.0 | 5 | 9 | 7.6 |
| 34020.W0566 | Steel | Flat, Plain | M_6 | - | 40.0 | 10 | 3.2 | 6 | 16.0 | 4.0 | 5 | 9 | 10.0 |
| 34020.W0582 | Steel | Flat, Plain | M_8 | - | 20.0 | 13 | 4.5 | 8 | 3.5 | 5.5 | 6 | 15 | 13.0 |
| 34020.W0584 | Steel | Flat, Plain | M_8 | - | 35.0 | 13 | 4.5 | 8 | 3.5 | 5.5 | 6 | 15 | 17.0 |
| 34020.W0586 | Steel | Flat, Plain | M_8 | - | 50.0 | 13 | 4.5 | 8 | 22.0 | 5.5 | 6 | 15 | 23.0 |
| 34020.W0602 | Steel | Flat, Plain | M10 | - | 25.0 | 16 | 6.0 | 10 | 4.5 | 7.0 | 8 | 20 | 24.0 |
| 34020.W0604 | Steel | Flat, Plain | M10 | - | 40.0 | 16 | 6.0 | 10 | 4.5 | 7.0 | 8 | 20 | 31.0 |
| 34020.W0606 | Steel | Flat, Plain | M10 | - | 60.0 | 16 | 6.0 | 10 | 28.0 | 7.0 | 8 | 20 | 43.0 |



| Order No. | Material | Ball face type | d ₁ | l ₁ | l ₂ | d ₂ | d ₃ | l ₃ | l ₄ | Ball dia. | A/F | Static load kN max. | Weight g |
|-------------|-----------|----------------|----------------|----------------|----------------|----------------|----------------|----------------|----------------|-----------|-----|---------------------------|-------------|
| 34020.W0622 | Steel | Flat, Plain | M12 | - | 30.0 | 18 | 7.2 | 12 | 5.0 | 8.5 | 10 | 30 | 38.0 |
| 34020.W0624 | Steel | Flat, Plain | M12 | - | 50.0 | 18 | 7.2 | 12 | 5.0 | 8.5 | 10 | 30 | 52.0 |
| 34020.W0626 | Steel | Flat, Plain | M12 | - | 80.0 | 18 | 7.2 | 12 | 44.0 | 8.5 | 10 | 30 | 79.0 |
| 34020.W0662 | Steel | Flat, Plain | M16 | - | 40.0 | 24 | 10.7 | 16 | 6.0 | 12.0 | 14 | 60 | 92.0 |
| 34020.W0664 | Steel | Flat, Plain | M16 | - | 60.0 | 24 | 10.7 | 16 | 6.0 | 12.0 | 14 | 60 | 120.0 |
| 34020.W0666 | Steel | Flat, Plain | M16 | - | 80.0 | 24 | 10.7 | 16 | 36.0 | 12.0 | 14 | 60 | 155.0 |
| 34020.W0702 | Steel | Flat, Plain | M20 | - | 50.0 | 30 | 13.5 | 20 | 7.5 | 15.0 | 17 | 90 | 182.0 |
| 34020.W0704 | Steel | Flat, Plain | M20 | - | 80.0 | 30 | 13.5 | 20 | 28.0 | 15.0 | 17 | 90 | 255.0 |
| 34020.W0706 | Steel | Flat, Plain | M20 | - | 100.0 | 30 | 13.5 | 20 | 48.0 | 15.0 | 17 | 90 | 305.0 |
| 34020.W0742 | Steel | Flat, Plain | M24 | - | 60.0 | 36 | 15.8 | 24 | 9.0 | 18.0 | 19 | 120 | 325.0 |
| 34020.W0744 | Steel | Flat, Plain | M24 | - | 90.0 | 36 | 15.8 | 24 | 30.0 | 18.0 | 19 | 120 | 422.0 |
| 34020.W0746 | Steel | Flat, Plain | M24 | - | 120.0 | 36 | 15.8 | 24 | 60.0 | 18.0 | 19 | 120 | 534.0 |
| 34020.W0752 | Stainless | Round | M_6 | 20.8 | - | 10 | - | 6 | 3.0 | 4.0 | 5 | 9 | 6.2 |
| 34020.W0754 | Stainless | Round | M_6 | 30.8 | - | 10 | - | 6 | 3.0 | 4.0 | 5 | 9 | 8.0 |
| 34020.W0756 | Stainless | Round | M_6 | 40.8 | - | 10 | - | 6 | 16.0 | 4.0 | 5 | 9 | 10.0 |
| 34020.W0762 | Stainless | Round | M_8 | 21.2 | - | 13 | - | 8 | 3.5 | 5.5 | 6 | 15 | 13.0 |
| 34020.W0764 | Stainless | Round | M_8 | 36.2 | - | 13 | - | 8 | 3.5 | 5.5 | 6 | 15 | 17.0 |
| 34020.W0766 | Stainless | Round | M_8 | 51.2 | - | 13 | - | 8 | 22.0 | 5.5 | 6 | 15 | 24.0 |
| 34020.W0772 | Stainless | Round | M10 | 26.7 | - | 16 | - | 10 | 4.5 | 7.0 | 8 | 20 | 24.0 |
| 34020.W0774 | Stainless | Round | M10 | 41.7 | - | 16 | - | 10 | 4.5 | 7.0 | 8 | 20 | 31.0 |
| 34020.W0776 | Stainless | Round | M10 | 61.7 | - | 16 | - | 10 | 28.0 | 7.0 | 8 | 20 | 44.0 |
| 34020.W0782 | Stainless | Round | M12 | 32.0 | - | 18 | - | 12 | 5.0 | 8.5 | 10 | 30 | 38.0 |
| 34020.W0784 | Stainless | Round | M12 | 52.0 | - | 18 | - | 12 | 5.0 | 8.5 | 10 | 30 | 52.0 |
| 34020.W0786 | Stainless | Round | M12 | 82.0 | - | 18 | - | 12 | 44.0 | 8.5 | 10 | 30 | 79.0 |
| 34020.W0792 | Stainless | Round | M16 | 43.3 | - | 24 | - | 16 | 6.0 | 12.0 | 14 | 60 | 94.0 |
| 34020.W0794 | Stainless | Round | M16 | 63.3 | - | 24 | - | 16 | 6.0 | 12.0 | 14 | 60 | 119.0 |
| 34020.W0796 | Stainless | Round | M16 | 83.3 | - | 24 | - | 16 | 36.0 | 12.0 | 14 | 60 | 156.0 |
| 34020.W0832 | Stainless | Flat, Plain | M_6 | - | 20.0 | 10 | 3.2 | 6 | 3.0 | 4.0 | 5 | 9 | 6.1 |
| 34020.W0834 | Stainless | Flat, Plain | M_6 | - | 30.0 | 10 | 3.2 | 6 | 3.0 | 4.0 | 5 | 9 | 7.6 |
| 34020.W0836 | Stainless | Flat, Plain | M_6 | - | 40.0 | 10 | 3.2 | 6 | 16.0 | 4.0 | 5 | 9 | 10.0 |
| 34020.W0842 | Stainless | Flat, Plain | M_8 | - | 20.0 | 13 | 4.5 | 8 | 3.5 | 5.5 | 6 | 15 | 13.0 |
| 34020.W0844 | Stainless | Flat, Plain | M_8 | - | 35.0 | 13 | 4.5 | 8 | 3.5 | 5.5 | 6 | 15 | 17.0 |
| 34020.W0846 | Stainless | Flat, Plain | M_8 | - | 50.0 | 13 | 4.5 | 8 | 22.0 | 5.5 | 6 | 15 | 23.0 |
| 34020.W0852 | Stainless | Flat, Plain | M10 | - | 25.0 | 16 | 6.0 | 10 | 4.5 | 7.0 | 8 | 20 | 24.0 |
| 34020.W0854 | Stainless | Flat, Plain | M10 | - | 40.0 | 16 | 6.0 | 10 | 4.5 | 8 | 8 | 20 | 31.0 |
| 34020.W0856 | Stainless | Flat, Plain | M10 | - | 60.0 | 16 | 6.0 | 10 | 28.0 | 7.0 | 8 | 20 | 44.0 |
| 34020.W0862 | Stainless | Flat, Plain | M12 | - | 30.0 | 18 | 7.2 | 12 | 5.0 | 8.5 | 10 | 30 | 38.0 |
| 34020.W0864 | Stainless | Flat, Plain | M12 | - | 50.0 | 18 | 7.2 | 12 | 5.0 | 8.5 | 10 | 30 | 52.0 |
| 34020.W0866 | Stainless | Flat, Plain | M12 | - | 80.0 | 18 | 7.2 | 12 | 44.0 | 8.5 | 10 | 30 | 79.0 |
| 34020.W0872 | Stainless | Flat, Plain | M16 | - | 40.0 | 24 | 10.7 | 16 | 6.0 | 12.0 | 14 | 60 | 92.0 |
| 34020.W0874 | Stainless | Flat, Plain | M16 | - | 60.0 | 24 | 10.7 | 16 | 6.0 | 12.0 | 14 | 60 | 120.0 |
| 34020.W0876 | Stainless | Flat, Plain | M16 | - | 80.0 | 24 | 10.7 | 16 | 36.0 | 12.0 | 14 | 60 | 155.0 |
| 34020.W0892 | Steel | Flat, Ribbed | M 8 | - | 20.0 | 13 | 4.5 | 8 | 3.5 | 5.5 | 6 | 15 | 12.0 |
| 34020.W0894 | Steel | Flat, Ribbed | M 8 | - | 35.0 | 13 | 4.5 | 8 | 3.5 | 5.5 | 6 | 15 | 17.0 |
| 34020.W0896 | Steel | Flat, Ribbed | M 8 | - | 50.0 | 13 | 4.5 | 8 | 22.0 | 5.5 | 6 | 15 | 23.0 |
| 34020.W0904 | Steel | Flat, Ribbed | M10 | - | 40.0 | 16 | 6.0 | 10 | 4.5 | 7.0 | 8 | 20 | 31.0 |
| 34020.W0906 | Steel | Flat, Ribbed | M10 | - | 60.0 | 16 | 6.0 | 10 | 28.0 | 7.0 | 8 | 20 | 44.0 |
| 34020.W0922 | Steel | Flat, Ribbed | M12 | - | 30.0 | 18 | 7.2 | 12 | 5.0 | 8.5 | 10 | 30 | 39.0 |
| 34020.W0924 | Steel | Flat, Ribbed | M12 | - | 50.0 | 18 | 7.2 | 12 | 5.0 | 8.5 | 10 | 30 | 53.0 |
| 34020.W0926 | Steel | Flat, Ribbed | M12 | - | 80.0 | 18 | 7.2 | 12 | 44.0 | 8.5 | 10 | 30 | 79.0 |
| 34020.W0962 | Steel | Flat, Ribbed | M16 | - | 40.0 | 24 | 10.7 | 16 | 6.0 | 12.0 | 14 | 60 | 92.0 |
| 34020.W0964 | Steel | Flat, Ribbed | M16 | - | 60.0 | 24 | 10.7 | 16 | 6.0 | 12.0 | 14 | 60 | 118.0 |
| 34020.W0966 | Steel | Flat, Ribbed | M16 | - | 80.0 | 24 | 10.7 | 16 | 36.0 | 12.0 | 14 | 60 | 155.0 |
| 34020.W0972 | Steel | Flat, Ribbed | M20 | - | 50.0 | 30 | 13.5 | 20 | 7.5 | 15.0 | 17 | 90 | 180.0 |
| 34020.W0974 | Steel | Flat, Ribbed | M20 | - | 80.0 | 30 | 13.5 | 20 | 28.0 | 15.0 | 17 | 90 | 254.0 |
| 34020.W0976 | Steel | Flat, Ribbed | M20 | - | 100.0 | 30 | 13.5 | 20 | 48.0 | 15.0 | 17 | 90 | 303.0 |
| 34020.W0982 | Steel | Flat, Ribbed | M24 | - | 60.0 | 36 | 15.8 | 24 | 9.0 | 18.0 | 19 | 120 | 324.0 |
| 34020.W0984 | Steel | Flat, Ribbed | M24 | - | 90.0 | 36 | 15.8 | 24 | 30.0 | 18.0 | 19 | 120 | 427.0 |
| 34020.W0986 | Steel | Flat, Ribbed | M24 | - | 120.0 | 36 | 15.8 | 24 | 60.0 | 18.0 | 19 | 120 | 536.0 |

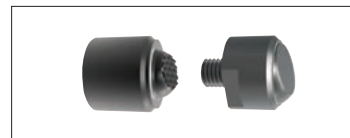
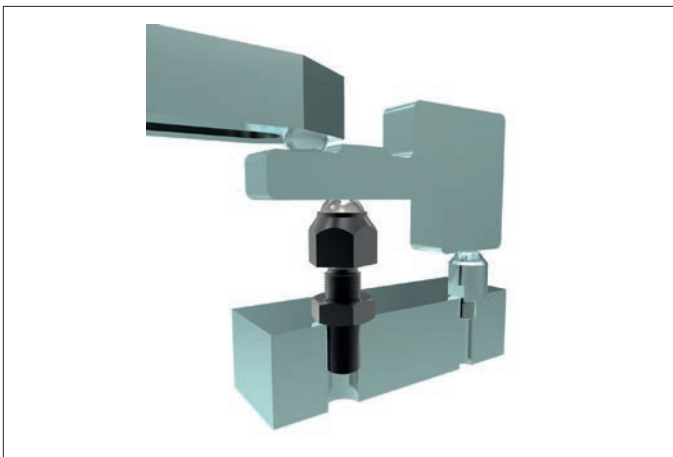


Clamping, supporting and aligning non-parallel and uneven surfaces is greatly simplified with the use of Wixroyd self-aligning pads and thrust screws. Available with ridged faces for improved holding of cast components, or plastic faces for holding more delicate parts.



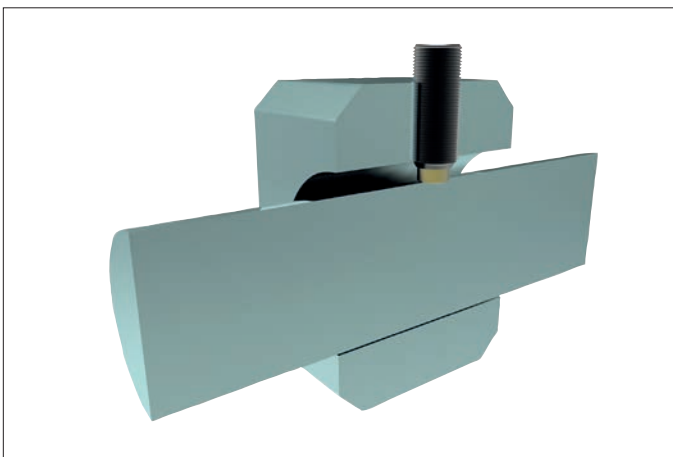
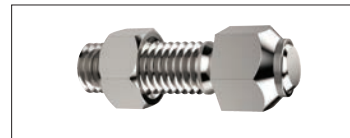
Self-aligning Thrust Screws

34000 to 34060 - Self-aligning thrust screws in sizes M6 to M24, ideal for clamping or supporting non-parallel surfaces.



Self-aligning Pads

34080 to 34121 - Self-aligning pads, both male and female mounting, ideal for accommodating variations between parts in fixtures.



Thrust Screws

34140 to 34160 - Thrust screws, with either brass or thermoplastic pads, are suitable for gentle clamping and positioning more delicate parts.



THRUST SCREWS

ov-W34000-A-T-W34160.2-AP0124-T-self-aligning-pads-and-thrust-screws-a-rmh - Updated - 28-10-2022