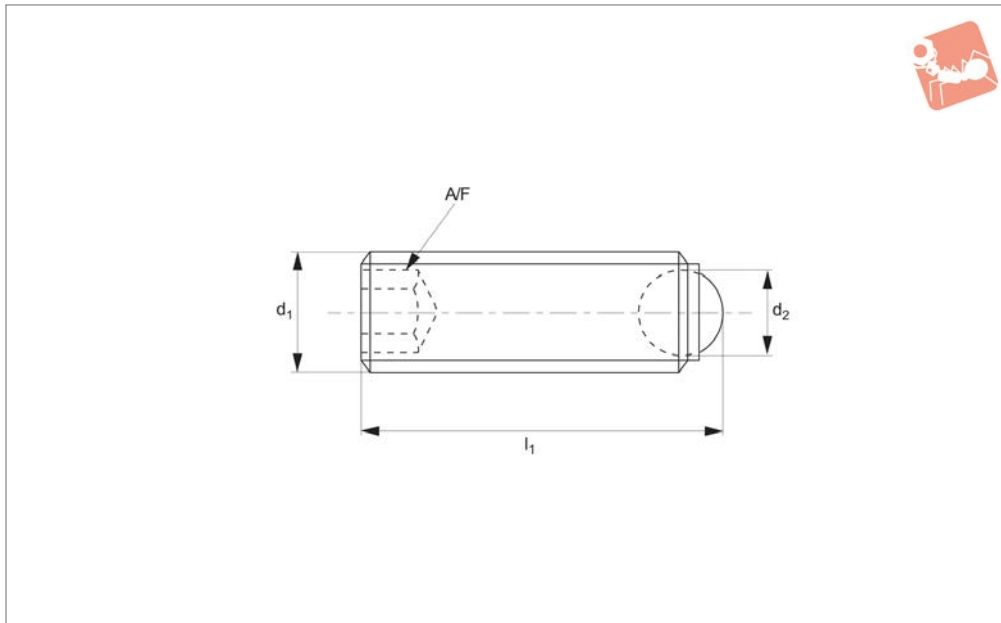




Thrust Screws - Ball Ended

headless - round ball - metal

Thrust Screws



34041

THRUST SCREWS

Material

Steel type-

Body: steel, heat-treated, 1200 ±100 N/mm².

Ball: ball bearing steel, hardened.

Stainless steel type-

Body: stainless steel (AISI 303, 1.4305).

Ball: stainless steel, hardened.

Technical Notes

For clamping, tightening or supporting of surfaces that are not exactly parallel.

Max. temperature 250°C.

Tips

Ball not secured against rotation. For other types see following pages.

Important Notes

*Max. static load relates to steel version only.

Order No.	Material	Ball type	d ₁	d ₂	l ₁	A/F	Static load kN max.	Weight g
34041.W0032	Steel	Round	M 3	1.5	5.0	1.5	2.5	0.2
34041.W0033	Steel	Round	M 3	1.5	7.5	1.5	2.5	0.2
34041.W0034	Steel	Round	M 3	1.5	10.0	1.5	2.5	0.3
34041.W0042	Steel	Round	M 4	2.5	6.0	2.0	3.5	0.5
34041.W0043	Steel	Round	M 4	2.5	8.0	2.0	3.5	0.6
34041.W0044	Steel	Round	M 4	2.5	10.0	2.0	3.5	0.8
34041.W0045	Steel	Round	M 4	2.5	12.0	2.0	3.5	0.7
34041.W0046	Steel	Round	M 4	2.5	16.0	2.0	3.5	1.2
34041.W0052	Steel	Round	M 5	3.0	8.0	2.5	4.5	0.8
34041.W0053	Steel	Round	M 5	3.0	10.0	2.5	4.5	1.1
34041.W0054	Steel	Round	M 5	3.0	12.0	2.5	4.5	1.3
34041.W0055	Steel	Round	M 5	3.0	16.0	2.5	4.5	1.5
34041.W0056	Steel	Round	M 5	3.0	20.0	2.5	4.5	2.2
34041.W0058	Steel	Round	M 5	3.0	25.0	2.5	4.5	2.8
34041.W0062	Steel	Round	M 6	4.0	10.8	3.0	9.0	1.5
34041.W0063	Steel	Round	M 6	4.0	12.8	3.8	9.0	1.9
34041.W0064	Steel	Round	M 6	4.0	16.8	3.0	9.0	2.5
34041.W0065	Steel	Round	M 6	4.0	20.8	3.0	9.0	3.3
34041.W0066	Steel	Round	M 6	4.0	25.8	3.0	9.0	4.0
34041.W0081	Steel	Round	M 8	5.5	11.2	4.0	15.0	2.6
34041.W0082	Steel	Round	M 8	5.5	13.2	4.0	15.0	3.0
34041.W0083	Steel	Round	M 8	5.5	17.2	4.0	15.0	4.2
34041.W0084	Steel	Round	M 8	5.5	21.2	4.0	15.0	5.4
34041.W0085	Steel	Round	M 8	5.5	26.2	4.0	15.0	6.9
34041.W0086	Steel	Round	M 8	5.5	31.2	4.0	15.0	8.4
34041.W0101	Steel	Round	M10	7.0	13.7	5.0	20.0	4.8
34041.W0102	Steel	Round	M10	7.0	17.7	5.0	20.0	6.2
34041.W0103	Steel	Round	M10	7.0	21.7	5.0	20.0	8.1
34041.W0104	Steel	Round	M10	7.0	26.7	5.0	20.0	11.0
34041.W0105	Steel	Round	M10	7.0	31.7	5.0	20.0	13.0



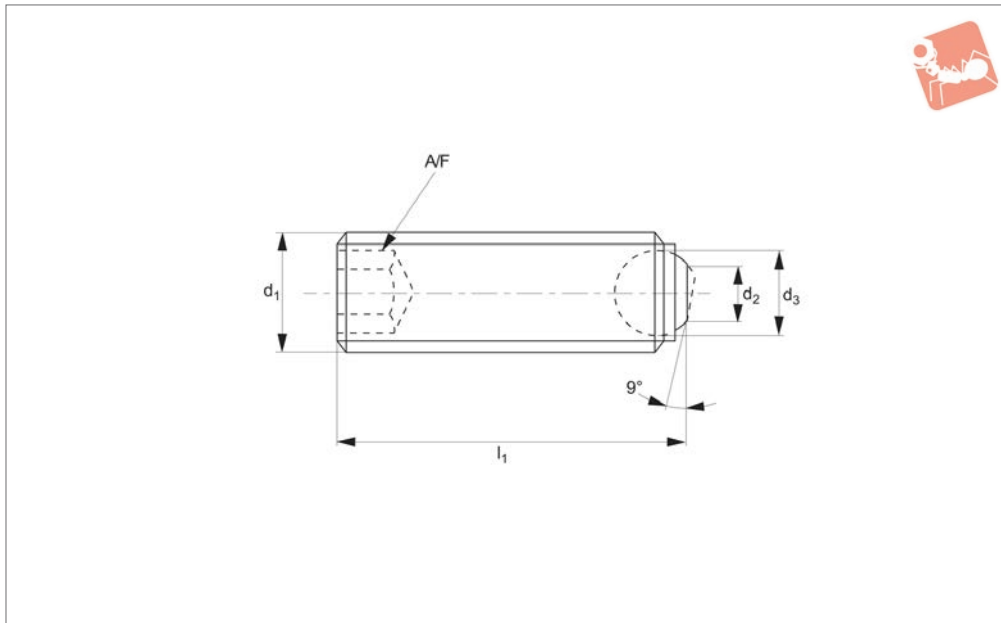
Order No.	Material	Ball type	d ₁	d ₂	l ₁	A/F	Static load kN max.	Weight g
34041.W0106	Steel	Round	M10	7.0	36.7	5.0	20.0	15.0
34041.W0108	Steel	Round	M10	7.0	41.7	5.0	20.0	15.0
34041.W0121	Steel	Round	M12	8.5	18.0	6.0	30.0	9.3
34041.W0122	Steel	Round	M12	8.5	22.0	6.0	30.0	11.0
34041.W0123	Steel	Round	M12	8.5	27.0	6.0	30.0	15.0
34041.W0124	Steel	Round	M12	8.5	32.0	6.0	30.0	18.0
34041.W0126	Steel	Round	M12	8.5	42.0	6.0	30.0	25.0
34041.W0128	Steel	Round	M12	8.5	52.0	6.0	30.0	32.5
34041.W0161	Steel	Round	M16	12.0	23.3	8.0	30.0	22.0
34041.W0162	Steel	Round	M16	12.0	28.3	8.0	60.0	27.0
34041.W0164	Steel	Round	M16	12.0	38.3	8.0	60.0	40.0
34041.W0166	Steel	Round	M16	12.0	53.3	8.0	60.0	62.0
34041.W0202	Steel	Round	M20	15.0	34.2	10.0	90.0	52.0
34041.W0204	Steel	Round	M20	15.0	42.2	10.0	90.0	72.0
34041.W0205	Steel	Round	M20	15.0	54.2	10.0	90.0	93.0
34041.W0206	Steel	Round	M20	15.0	64.2	10.0	90.0	115.0
34041.W0242	Steel	Round	M24	18.0	39.7	12.0	120.0	87.0
34041.W0244	Steel	Round	M24	18.0	54.7	12.0	120.0	129.0
34041.W0246	Steel	Round	M24	18.0	84.7	12.0	120.0	222.0
34041.W0747	Stainless	Round	M 3	1.5	5.0	1.5	-	0.2
34041.W0748	Stainless	Round	M 3	1.5	7.5	1.5	-	0.2
34041.W0749	Stainless	Round	M 3	1.5	10.0	1.5	-	0.3
34041.W0750	Stainless	Round	M 4	2.5	6.0	2.0	-	0.5
34041.W0752	Stainless	Round	M 4	2.5	8.0	2.0	-	0.6
34041.W0754	Stainless	Round	M 4	2.5	10.0	2.0	-	0.8
34041.W0756	Stainless	Round	M 4	2.5	12.0	2.0	-	0.7
34041.W0758	Stainless	Round	M 4	2.5	16.0	2.0	-	1.2
34041.W0760	Stainless	Round	M 5	3.0	8.0	2.5	-	0.8
34041.W0761	Stainless	Round	M 5	3.0	10.0	2.5	-	1.1
34041.W0762	Stainless	Round	M 5	3.0	12.0	2.5	-	1.3
34041.W0763	Stainless	Round	M 5	3.0	16.0	2.5	-	1.5
34041.W0764	Stainless	Round	M 5	3.0	20.0	2.5	-	2.2
34041.W0765	Stainless	Round	M 5	3.0	25.0	2.5	-	2.8
34041.W0770	Stainless	Round	M 6	4.0	10.8	3.0	-	1.5
34041.W0772	Stainless	Round	M 6	4.0	12.8	3.0	-	1.9
34041.W0774	Stainless	Round	M 6	4.0	16.8	3.0	-	2.5
34041.W0775	Stainless	Round	M 6	4.0	20.8	3.0	-	3.3
34041.W0776	Stainless	Round	M 6	4.0	25.8	3.0	-	4.0
34041.W0780	Stainless	Round	M 8	5.5	11.2	4.0	-	2.6
34041.W0782	Stainless	Round	M 8	5.5	13.2	4.0	-	3.0
34041.W0783	Stainless	Round	M 8	5.5	17.2	4.0	-	4.2
34041.W0784	Stainless	Round	M 8	5.5	21.2	4.0	-	5.4
34041.W0785	Stainless	Round	M 8	5.5	26.2	4.0	-	6.9
34041.W0786	Stainless	Round	M 8	5.5	31.2	4.0	-	8.4
34041.W0790	Stainless	Round	M10	7.0	13.7	5.0	-	4.8
34041.W0792	Stainless	Round	M10	7.0	17.7	5.0	-	6.2
34041.W0793	Stainless	Round	M10	7.0	21.7	5.0	-	8.1
34041.W0794	Stainless	Round	M10	7.0	26.7	5.0	-	11.0
34041.W0795	Stainless	Round	M10	7.0	31.7	5.0	-	13.0
34041.W0796	Stainless	Round	M10	7.0	36.7	5.0	-	15.0
34041.W0798	Stainless	Round	M10	7.0	41.7	5.0	-	15.0
34041.W0800	Stainless	Round	M12	8.5	18.0	6.0	-	9.3
34041.W0802	Stainless	Round	M12	8.5	22.0	6.0	-	11.0
34041.W0803	Stainless	Round	M12	8.5	27.0	6.0	-	15.0
34041.W0804	Stainless	Round	M12	8.5	32.0	6.0	-	18.0
34041.W0806	Stainless	Round	M12	8.5	42.0	6.0	-	25.0
34041.W0808	Stainless	Round	M12	8.5	52.0	6.0	-	32.5
34041.W0810	Stainless	Round	M16	12.0	23.3	8.0	-	22.0
34041.W0812	Stainless	Round	M16	12.0	28.3	8.0	-	27.0
34041.W0814	Stainless	Round	M16	12.0	38.3	8.0	-	40.0
34041.W0816	Stainless	Round	M16	12.0	53.3	8.0	-	62.0



Thrust Screws - Ball Ended

headless - flat-faced ball - metal

Thrust Screws



34043

THRUST SCREWS

Material

Steel type-

Body: steel, heat-treated, 1200 ±100 N/mm².

Ball: ball bearing steel, hardened.

Stainless steel type-

Body: stainless steel (AISI 303, 1.4305).

Ball: stainless steel, hardened.

Technical Notes

For clamping, tightening or supporting surfaces that are not exactly parallel.

Max. temperature 250°C.

Tips

Ball not secured against rotation. It is

possible for the flat-faced ball to flip and expose the spherical face of the ball. For other types see following pages.

Important Notes

*Max. static load relates to steel version only.

Order No.	Material	Ball type	d ₁	d ₂	d ₃	l ₁	A/F	Static load kN max.	Weight g
34043.W0542	Steel	Flat, Plain	M 4	1.8	2.5	5.6	2	3.5	0.3
34043.W0543	Steel	Flat, Plain	M 4	1.8	2.5	7.6	2	3.5	0.6
34043.W0544	Steel	Flat, Plain	M 4	1.8	2.5	9.6	2	3.5	0.5
34043.W0545	Steel	Flat, Plain	M 4	1.8	2.5	11.6	2	3.5	0.9
34043.W0546	Steel	Flat, Plain	M 4	1.8	2.5	15.6	2	3.5	1.0
34043.W0552	Steel	Flat, Plain	M 5	2.2	3.0	7.5	3	4.5	0.6
34043.W0553	Steel	Flat, Plain	M 5	2.2	3.0	9.5	3	4.5	0.8
34043.W0554	Steel	Flat, Plain	M 5	2.2	3.0	11.5	3	4.5	1.1
34043.W0555	Steel	Flat, Plain	M 5	2.2	3.0	15.5	3	4.5	1.7
34043.W0556	Steel	Flat, Plain	M 5	2.2	3.0	19.5	3	4.5	2.2
34043.W0558	Steel	Flat, Plain	M 5	2.2	3.0	24.5	3	4.5	2.6
34043.W0562	Steel	Flat, Plain	M 6	3.2	4.0	10.0	3	9.0	1.5
34043.W0563	Steel	Flat, Plain	M 6	3.2	4.0	12.0	3	9.0	1.6
34043.W0564	Steel	Flat, Plain	M 6	3.2	4.0	16.0	3	9.0	2.5
34043.W0565	Steel	Flat, Plain	M 6	3.2	4.0	20.0	3	9.0	3.2
34043.W0566	Steel	Flat, Plain	M 6	3.2	4.0	25.0	3	9.0	3.8
34043.W0581	Steel	Flat, Plain	M 8	4.5	5.5	10.0	4	15.0	2.6
34043.W0582	Steel	Flat, Plain	M 8	4.5	5.5	12.0	4	15.0	2.9
34043.W0583	Steel	Flat, Plain	M 8	4.5	5.5	16.0	4	15.0	4.0
34043.W0584	Steel	Flat, Plain	M 8	4.5	5.5	20.0	4	15.0	5.3
34043.W0585	Steel	Flat, Plain	M 8	4.5	5.5	25.0	4	15.0	6.8
34043.W0586	Steel	Flat, Plain	M 8	4.5	5.5	30.0	4	15.0	8.4
34043.W0601	Steel	Flat, Plain	M10	6.0	7.0	12.0	5	20.0	4.7
34043.W0602	Steel	Flat, Plain	M10	6.0	7.0	16.0	5	20.0	6.1
34043.W0603	Steel	Flat, Plain	M10	6.0	7.0	20.0	5	20.0	7.9
34043.W0604	Steel	Flat, Plain	M10	6.0	7.0	25.0	5	20.0	10.0
34043.W0605	Steel	Flat, Plain	M10	6.0	7.0	30.0	5	20.0	13.0
34043.W0606	Steel	Flat, Plain	M10	6.0	7.0	35.0	5	20.0	15.0



Order No.	Material	Ball type	d ₁	d ₂	d ₃	l ₁	A/F	Static load kN max.	Weight g
34043.W0608	Steel	Flat, Plain	M10	6.0	7.0	40.0	5	20.0	18.0
34043.W0621	Steel	Flat, Plain	M12	7.2	8.5	16.0	6	30.0	9.1
34043.W0622	Steel	Flat, Plain	M12	7.2	8.5	20.0	6	30.0	11.0
34043.W0623	Steel	Flat, Plain	M12	7.2	8.5	25.0	6	30.0	14.0
34043.W0624	Steel	Flat, Plain	M12	7.2	8.5	30.0	6	30.0	18.0
34043.W0626	Steel	Flat, Plain	M12	7.2	8.5	40.0	6	30.0	25.0
34043.W0628	Steel	Flat, Plain	M12	7.2	8.5	50.0	6	30.0	32.0
34043.W0661	Steel	Flat, Plain	M16	10.7	12.0	20.0	8	60.0	21.0
34043.W0662	Steel	Flat, Plain	M16	10.7	12.0	25.0	8	60.0	26.0
34043.W0664	Steel	Flat, Plain	M16	10.7	12.0	35.0	8	60.0	39.0
34043.W0666	Steel	Flat, Plain	M16	10.7	12.0	50.0	8	60.0	60.0
34043.W0702	Steel	Flat, Plain	M20	13.5	15.0	30.0	10	90.0	49.0
34043.W0704	Steel	Flat, Plain	M20	13.5	15.0	40.0	10	90.0	70.0
34043.W0705	Steel	Flat, Plain	M20	13.5	15.0	50.0	10	90.0	90.0
34043.W0706	Steel	Flat, Plain	M20	13.5	15.0	60.0	10	90.0	111.0
34043.W0742	Steel	Flat, Plain	M24	15.8	18.0	35.0	12	120.0	86.0
34043.W0744	Steel	Flat, Plain	M24	15.8	18.0	50.0	12	120.0	128.0
34043.W0746	Steel	Flat, Plain	M24	15.8	18.0	80.0	12	120.0	219.0
34043.W0827	Stainless	Flat, Plain	M 4	1.8	2.5	5.6	2	-	0.5
34043.W0828	Stainless	Flat, Plain	M 4	1.8	2.5	7.6	2	-	0.6
34043.W0829	Stainless	Flat, Plain	M 4	1.8	2.5	9.6	2	-	0.5
34043.W0830	Stainless	Flat, Plain	M 4	1.8	2.5	11.6	2	-	0.9
34043.W0832	Stainless	Flat, Plain	M 4	1.8	2.5	15.6	2	-	1.0
34043.W0833	Stainless	Flat, Plain	M 5	2.2	3.0	7.5	3	-	0.6
34043.W0834	Stainless	Flat, Plain	M 5	2.2	3.0	9.5	3	-	0.8
34043.W0835	Stainless	Flat, Plain	M 5	2.2	3.0	11.5	3	-	1.1
34043.W0836	Stainless	Flat, Plain	M 5	2.2	3.0	15.5	3	-	1.7
34043.W0837	Stainless	Flat, Plain	M 5	2.2	3.0	19.5	3	-	2.2
34043.W0838	Stainless	Flat, Plain	M 5	2.2	3.0	24.5	3	-	2.6
34043.W0840	Stainless	Flat, Plain	M 6	3.2	4.0	10.0	3	-	1.5
34043.W0842	Stainless	Flat, Plain	M 6	3.2	4.0	12.0	3	-	1.6
34043.W0844	Stainless	Flat, Plain	M 6	3.2	4.0	16.0	3	-	2.5
34043.W0845	Stainless	Flat, Plain	M 6	3.2	4.0	20.0	3	-	3.2
34043.W0846	Stainless	Flat, Plain	M 6	3.2	4.0	25.0	3	-	3.8
34043.W0850	Stainless	Flat, Plain	M 8	4.5	5.5	10.0	4	-	2.6
34043.W0852	Stainless	Flat, Plain	M 8	4.5	5.5	12.0	4	-	2.9
34043.W0853	Stainless	Flat, Plain	M 8	4.5	5.5	16.0	4	-	4.0
34043.W0854	Stainless	Flat, Plain	M 8	4.5	5.5	20.0	4	-	5.3
34043.W0855	Stainless	Flat, Plain	M 8	4.5	5.5	25.0	4	-	6.8
34043.W0856	Stainless	Flat, Plain	M 8	4.5	5.5	30.0	4	-	8.4
34043.W0860	Stainless	Flat, Plain	M10	6.0	7.0	12.0	5	-	4.7
34043.W0862	Stainless	Flat, Plain	M10	6.0	7.0	16.0	5	-	6.1
34043.W0863	Stainless	Flat, Plain	M10	6.0	7.0	20.0	5	-	7.9
34043.W0864	Stainless	Flat, Plain	M10	6.0	7.0	25.0	5	-	10.0
34043.W0865	Stainless	Flat, Plain	M10	6.0	7.0	30.0	5	-	13.0
34043.W0866	Stainless	Flat, Plain	M10	6.0	7.0	35.0	5	-	15.0
34043.W0868	Stainless	Flat, Plain	M10	6.0	7.0	40.0	5	-	18.0
34043.W0870	Stainless	Flat, Plain	M12	7.2	8.5	16.0	6	-	9.1
34043.W0872	Stainless	Flat, Plain	M12	7.2	8.5	20.0	6	-	11.0
34043.W0873	Stainless	Flat, Plain	M12	7.2	8.5	25.0	6	-	14.0
34043.W0874	Stainless	Flat, Plain	M12	7.2	8.5	30.0	6	-	18.0
34043.W0876	Stainless	Flat, Plain	M12	7.2	8.5	40.0	6	-	25.0
34043.W0878	Stainless	Flat, Plain	M12	7.2	8.5	50.0	6	-	32.0
34043.W0880	Stainless	Flat, Plain	M16	10.7	12.0	20.0	8	-	21.0
34043.W0882	Stainless	Flat, Plain	M16	10.7	12.0	25.0	8	-	26.0
34043.W0884	Stainless	Flat, Plain	M16	10.7	12.0	35.0	8	-	39.0
34043.W0886	Stainless	Flat, Plain	M16	10.7	12.0	50.0	8	-	60.0

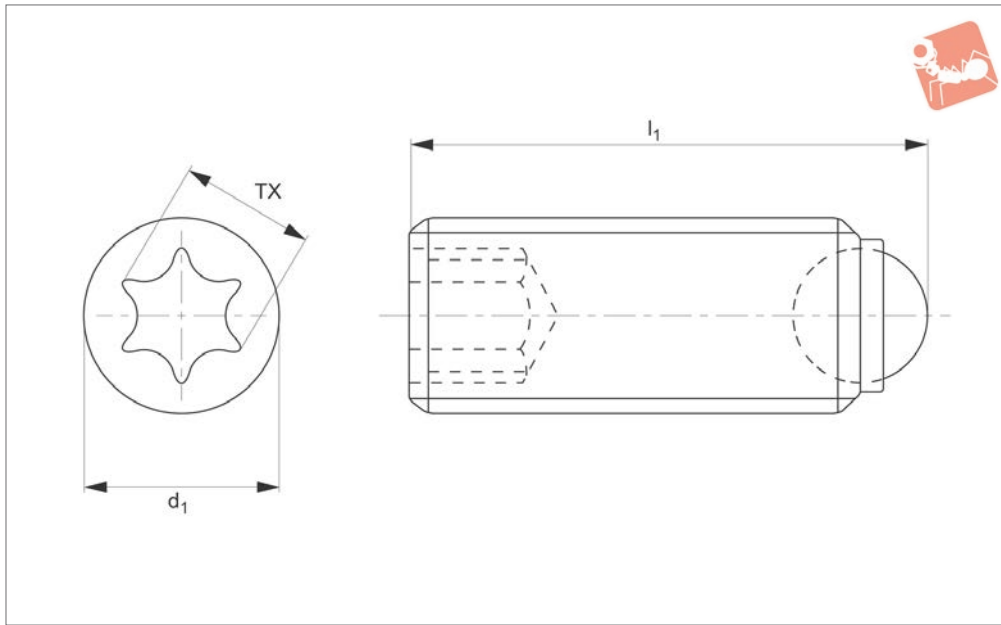


Thrust Screws - Headless -Torx drive

ball ended - round - metal



Thrust Screws



34047

THRUST SCREWS

Material

Steel type-

Body: heat treated steel, 1200 +/-100 N/mm².

Ball: ball bearing steel hardened.

Stainless steel type-

Body: stainless steel 1.4305 (AISI 303).

Ball: stainless steel, hardened.

Technical Notes

For clamping, tightening or supporting of surfaces that are not exactly parallel.

*** stated load capacity relate to steel version only.**

Torx drive for improved installation.

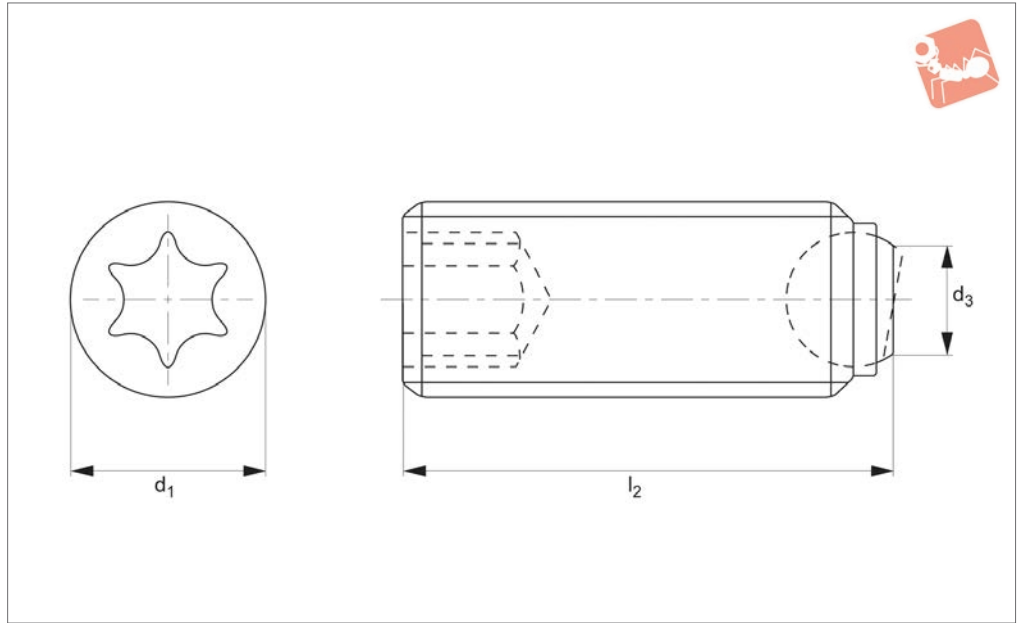
Tips

Ball not secured against rotation. For other types see following pages.

Order No.	Ball type	Material type	d ₁	l ₁	Ball dia.	TX drive	Static load kN max.	Weight g
34047.W1042	Round	Steel 12,9	M4	6.0	2.5	8	3.5	0.5
34047.W2042	Round	Stainless	M4	6.0	2.5	8	3.5	0.5
34047.W1044	Round	Steel 12,9	M4	10.0	2.5	8	3.5	0.6
34047.W2044	Round	Stainless	M4	10.0	2.5	8	3.5	0.6
34047.W1052	Round	Steel 12,9	M5	8.0	3.0	10	4.5	0.8
34047.W2052	Round	Stainless	M5	8.0	3.0	10	4.5	0.8
34047.W1054	Round	Steel 12,9	M5	12.0	3.0	10	4.5	1.3
34047.W2054	Round	Stainless	M5	12.0	3.0	10	4.5	1.3
34047.W1062	Round	Steel 12,9	M6	10.8	4.0	15	9.0	1.5
34047.W2062	Round	Stainless	M6	10.8	4.0	15	9.0	1.5
34047.W1064	Round	Steel 12,9	M6	16.8	4.0	15	9.0	1.9
34047.W2064	Round	Stainless	M6	16.8	4.0	15	9.0	1.9



34048



THRUST SCREWS

Material

Steel type-

Body: heat treated steel, 1200 +/-100 N/mm².

Ball: ball bearing steel hardened.

Stainless steel type-

Body: stainless steel 1.4305 (AISI 303).

Ball: stainless steel, hardened.

Technical Notes

For clamping, tightening or supporting of surfaces that are not exactly parallel.

*** stated load capacity relate to steel version only.**

Torx drive for improved installation.

Tips

Ball not secured against rotation. For other types see following pages.

Order No.	Material	Ball type	d ₁	l ₁	Ball dia.	A/F	Static load kN max.	Weight g
34048.W1542	Steel	Flat, plain	M4	0.5	1.8	8	3.5	5.6
34048.W1544	Steel	Flat, plain	M4	0.5	1.8	8	3.5	9.6
34048.W1552	Steel	Flat, plain	M5	0.6	2.2	10	4.5	7.5
34048.W1554	Steel	Flat, plain	M5	1.1	2.2	10	4.5	11.5
34048.W1562	Steel	Flat, plain	M6	1.5	3.2	15	9.0	10.0
34048.W1564	Steel	Flat, plain	M6	2.5	3.2	15	9.0	16.0
34048.W2542	Stainless	Flat, plain	M4	0.5	1.8	8	3.5	5.6
34048.W2544	Stainless	Flat, plain	M4	0.5	1.8	8	3.5	9.6
34048.W2552	Stainless	Flat, plain	M5	0.6	2.2	10	4.5	7.5
34048.W2554	Stainless	Flat, plain	M5	1.1	2.2	10	4.5	11.5
34048.W2562	Stainless	Flat, plain	M6	1.5	3.2	15	9.0	10.0
34048.W2564	Stainless	Flat, plain	M6	2.5	3.2	15	9.0	16.0

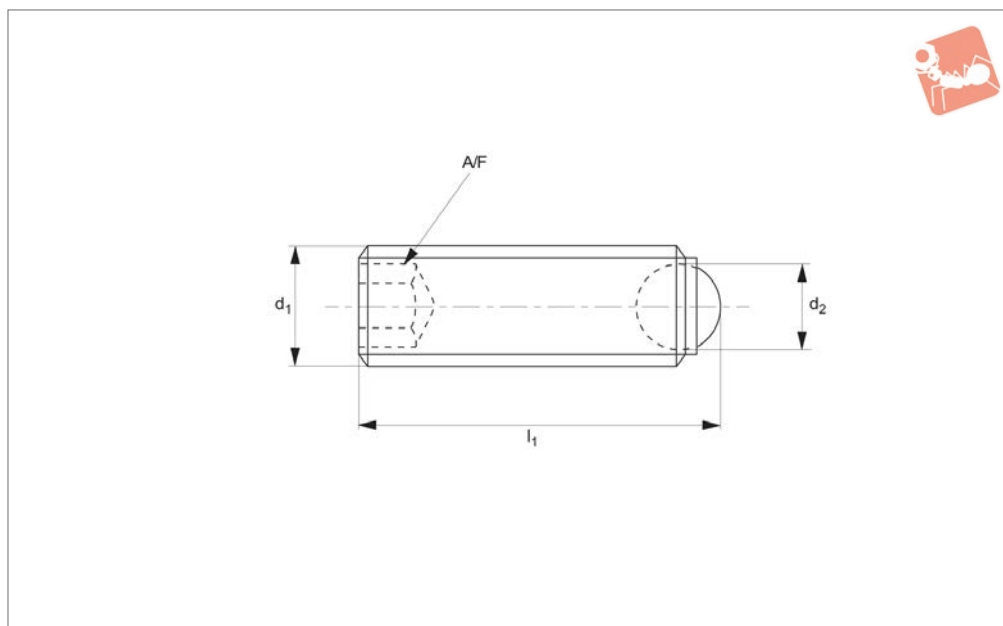


Thrust Screws - Ball Ended

headless - fine thread - round ball - metal



Thrust Screws



34051

THRUST SCREWS

Material

Steel type-

Body: steel, heat-treated, 1200 ±100 N/mm².

Ball: ball bearing steel, hardened.

Stainless steel type-

Body: stainless steel (AISI 303, 1.4305).

Ball: stainless steel, hardened.

Technical Notes

For clamping, tightening or supporting surfaces that are not exactly parallel.

These ball ended thrust screws have a fine thread, for precise adjustment.

Tips

Ball not secured against rotation. For other types see following pages.

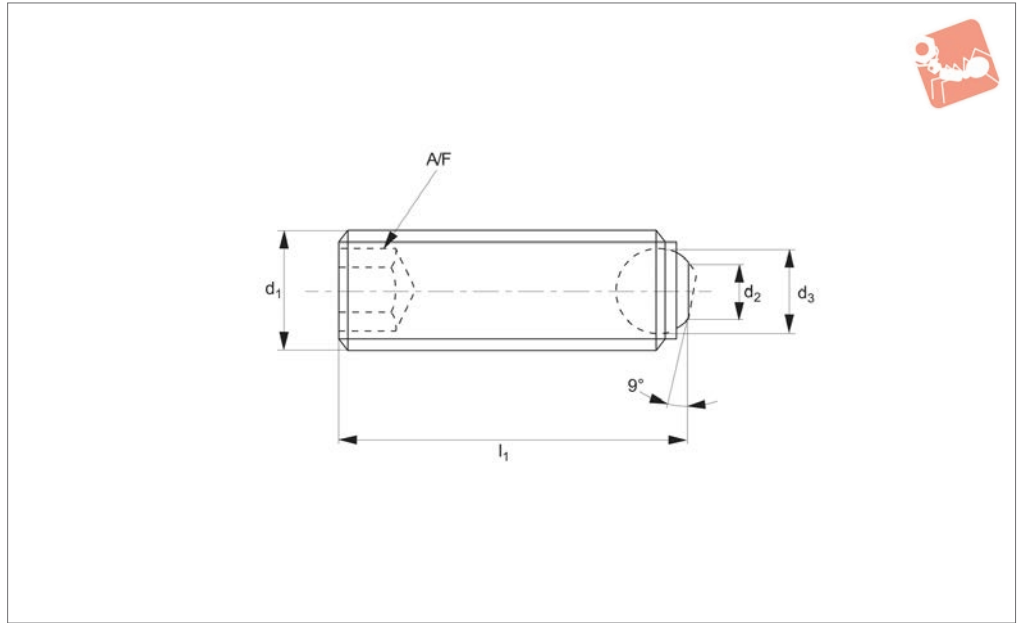
Important Notes

*Max. static load relates to steel version only.

Order No.	Material	Ball type	d ₁	d ₂	l ₁	A/F	Static load kN max.	Weight g
34051.W0030	Steel	Round	M 4x0,35	2.5	6.0	2	3.5	0.4
34051.W0032	Steel	Round	M 4x0,35	2.5	10.0	2	3.5	0.8
34051.W0040	Steel	Round	M 4x0,5	2.5	6.0	2	3.5	0.4
34051.W0042	Steel	Round	M 4x0,5	2.5	6.0	2	3.5	0.4
34051.W0052	Steel	Round	M 5x0,5	3.0	8.0	3	4.5	0.7
34051.W0054	Steel	Round	M 5x0,5	3.0	12.0	3	4.5	1.2
34051.W0062	Steel	Round	M 6x0,5	4.0	10.8	3	9.0	1.3
34051.W0063	Steel	Round	M 6x0,5	4.0	12.8	3	9.0	1.8
34051.W0064	Steel	Round	M 6x0,5	4.0	16.8	3	9.0	2.4
34051.W0065	Steel	Round	M 6x0,5	4.0	20.8	3	9.0	3.0
34051.W0066	Steel	Round	M 6x0,5	4.0	25.8	3	9.0	3.0
34051.W0081	Steel	Round	M 8x1,0	5.5	11.2	4	15.0	2.6
34051.W0084	Steel	Round	M 8x1,0	5.5	21.2	4	15.0	5.4
34051.W0730	Stainless	Round	M 4x0,35	2.5	6.0	2	-	0.4
34051.W0732	Stainless	Round	M 4x0,35	2.5	10.0	2	-	0.8
34051.W0740	Stainless	Round	M 4x0,5	2.5	6.0	2	-	0.4
34051.W0742	Stainless	Round	M 4x0,5	2.5	10.0	2	-	0.8
34051.W0760	Stainless	Round	M 5x0,5	3.0	8.0	3	-	0.7
34051.W0762	Stainless	Round	M 5x0,5	3.0	12.0	3	-	1.2
34051.W0770	Stainless	Round	M 6x0,5	4.0	10.8	3	-	1.3
34051.W0772	Stainless	Round	M 6x0,5	4.0	12.8	3	-	1.8
34051.W0774	Stainless	Round	M 6x0,5	4.0	16.8	3	-	2.4
34051.W0775	Stainless	Round	M 6x0,5	4.0	20.8	3	-	3.0
34051.W0776	Stainless	Round	M 6x0,5	4.0	25.8	3	-	3.0
34051.W0780	Stainless	Round	M 8x1,0	5.5	11.2	4	-	2.6
34051.W0784	Stainless	Round	M 8x1,0	5.5	21.2	4	-	5.4



34053



THRUST SCREWS

Material

Steel type-

Body: steel, heat-treated, 1200 ± 100 N/mm².

Ball: ball bearing steel, hardened.

Stainless steel type-

Body: stainless steel (AISI 303, 1.4305).

Ball: stainless steel, hardened.

Technical Notes

For clamping, tightening or supporting surfaces that are not exactly parallel.

These ball ended thrust screws have a fine thread, for precise adjustment.

Tips

Ball not secured against rotation. It is

possible for the flat faced ball to flip and expose the spherical face of the ball. For other types see following pages.

Important Notes

*Max static load relates to steel version only.

Order No.	Material	Type	d ₁	d ₂	d ₃	l ₂	A/F	Static load kN max.	Weight g
34053.W0530	Steel	Flat, Plain	M 4x0,35	1.3	2.5	5.6	2	3.5	0.6
34053.W0532	Steel	Flat, Plain	M 4x0,35	1.3	2.5	9.6	2	3.5	0.8
34053.W0540	Steel	Flat, Plain	M 4x0,5	1.3	2.5	5.6	2	3.5	0.4
34053.W0542	Steel	Flat, Plain	M 4x0,5	1.3	2.5	9.6	2	3.5	0.8
34053.W0552	Steel	Flat, Plain	M 5x0,5	2.2	3.0	7.5	3	4.5	0.7
34053.W0554	Steel	Flat, Plain	M 5x0,5	2.2	3.0	11.5	3	4.5	1.2
34053.W0562	Steel	Flat, Plain	M 6x0,5	3.2	4.0	10.0	3	9.0	1.3
34053.W0563	Steel	Flat, Plain	M 6x0,5	3.2	4.0	12.0	3	9.0	1.8
34053.W0564	Steel	Flat, Plain	M 6x0,5	3.2	4.0	16.0	3	9.0	2.4
34053.W0565	Steel	Flat, Plain	M 6x0,5	3.2	4.0	20.0	3	9.0	3.0
34053.W0566	Steel	Flat, Plain	M 6x0,5	3.2	4.0	25.0	3	9.0	3.0
34053.W0581	Steel	Flat, Plain	M 8x1,0	4.5	5.5	10.0	4	15.0	2.6
34053.W0584	Steel	Flat, Plain	M 8x1,0	4.5	5.5	20.0	4	15.0	5.3
34053.W0830	Stainless	Flat, Plain	M 4x0,35	1.3	2.5	5.6	2	-	0.6
34053.W0832	Stainless	Flat, Plain	M 4x0,35	1.3	2.5	9.6	2	-	0.8
34053.W0838	Stainless	Flat, Plain	M 4x0,5	1.3	2.5	5.6	2	-	0.4
34053.W0839	Stainless	Flat, Plain	M 4x0,5	1.3	2.5	9.6	2	-	0.8
34053.W0833	Stainless	Flat, Plain	M 5x0,5	2.2	3.0	7.5	3	-	0.7
34053.W0835	Stainless	Flat, Plain	M 5x0,5	2.2	3.0	11.5	3	-	1.2
34053.W0840	Stainless	Flat, Plain	M 6x0,5	3.2	4.0	10.0	3	-	1.3
34053.W0842	Stainless	Flat, Plain	M 6x0,5	3.2	4.0	12.0	3	-	1.8
34053.W0844	Stainless	Flat, Plain	M 6x0,5	3.2	4.0	16.0	3	-	2.4
34053.W0845	Stainless	Flat, Plain	M 6x0,5	3.2	4.0	20.0	3	-	3.0
34053.W0846	Stainless	Flat, Plain	M 6x0,5	3.2	4.0	25.0	3	-	3.0
34053.W0850	Stainless	Flat, Plain	M 8x1,0	4.5	5.5	10.0	4	-	2.6
34053.W0854	Stainless	Flat, Plain	M 8x1,0	4.5	5.5	20.0	4	-	5.3



Thrust Screws - Ball Ended

headless - fine thread - flat faced ball - metal



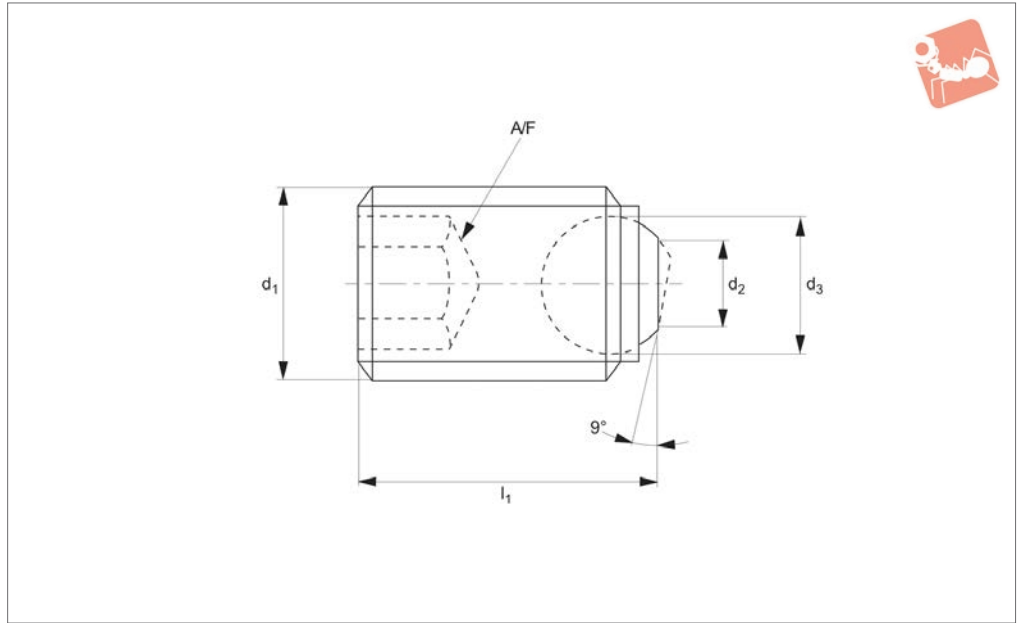
Thrust Screws



THRUST SCREWS



34060



Material

Body: steel, heat-treated, 1200 ±100 N/mm².

Ball: ball bearing steel, hardened.

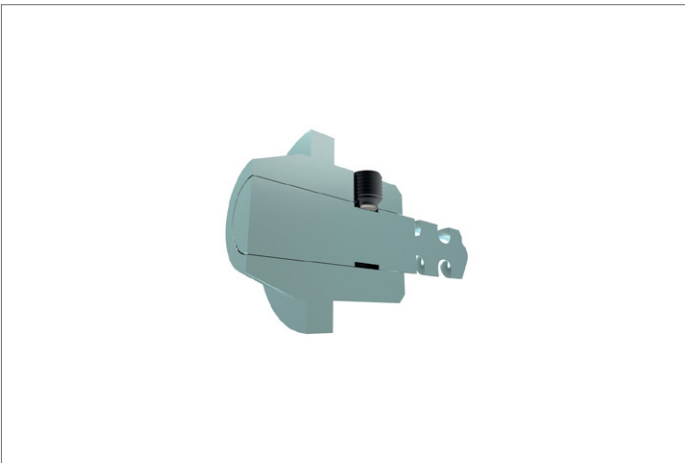
Technical Notes

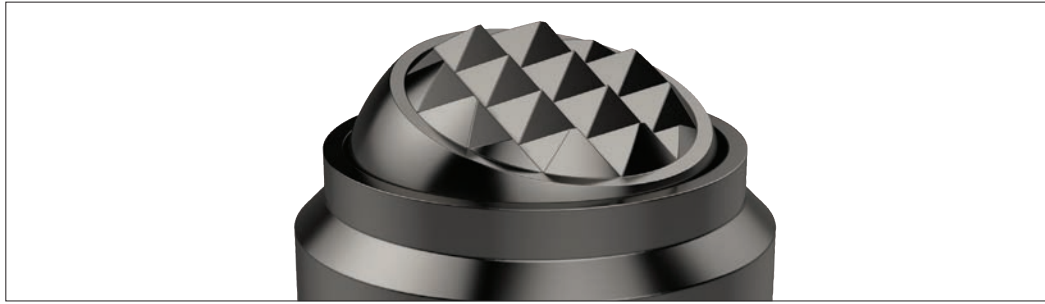
These short ball ended thrust screws are

particularly suited for use with parallel shanks DIN 1835E, in combination with either Whistle Notch or Weldon Tool Holding fixtures.

Maximised load transmission due to movable ball.

Order No.	Ball type	d ₁	d ₂	d ₃	l ₁	A/F	Static load kN max.	Weight g
34060.W0641	Flat, Plain	M14	7.2	8.5	16	6	30	13
34060.W0660	Flat, Plain	M16	7.2	8.5	16	8	30	16
34060.W0682	Flat, Plain	M18x2	10.7	12.0	20	10	60	25
34060.W0692	Flat, Plain	M20x2	10.7	12.0	20	10	60	32
34060.W0693	Flat, Plain	M20x2	10.7	12.0	25	10	60	42
34060.W0730	Flat, Plain	M24x2	13.5	15.0	25	12	90	59



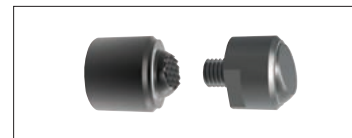
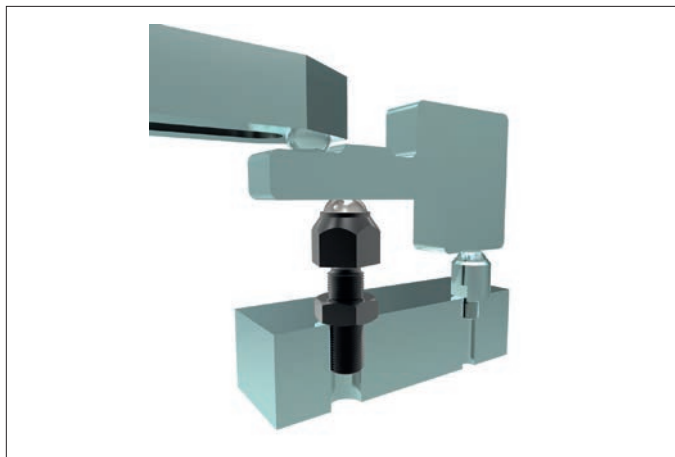


Clamping, supporting and aligning non-parallel and uneven surfaces is greatly simplified with the use of Wixroyd self-aligning pads and thrust screws. Available with ridged faces for improved holding of cast components, or plastic faces for holding more delicate parts.



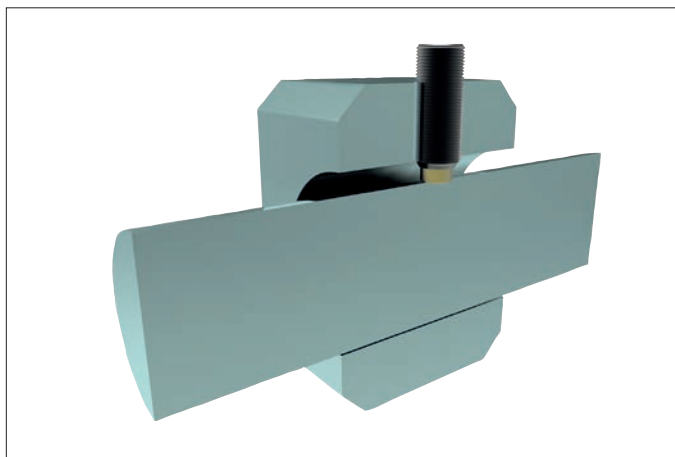
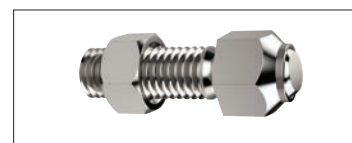
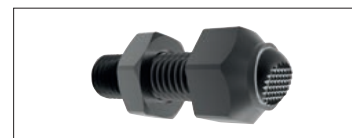
Self-aligning Thrust Screws

34000 to 34060 - Self-aligning thrust screws in sizes M6 to M24, ideal for clamping or supporting non-parallel surfaces.



Self-aligning Pads

34080 to 34121 - Self-aligning pads, both male and female mounting, ideal for accommodating variations between parts in fixtures.



Thrust Screws

34140 to 34160 - Thrust screws, with either brass or thermoplastic pads, are suitable for gentle clamping and positioning more delicate parts.



THRUST SCREWS

ov-W34000-A-T-W34160.2-AP0124-T-self-aligning-pads-and-thrust-screws-a-rmh - Updated - 28-10-2022