

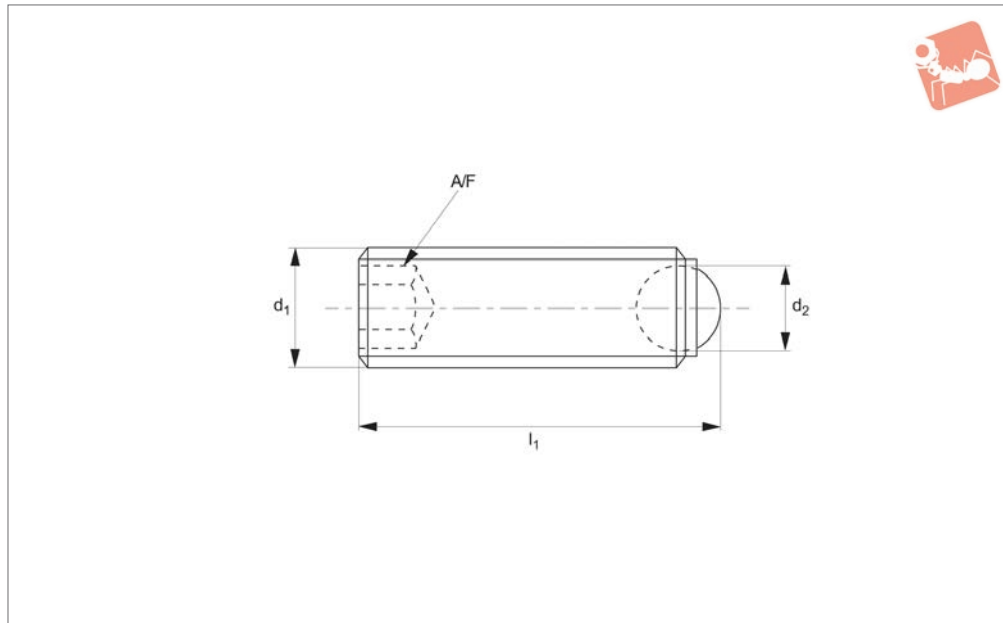


# Thrust Screws - Ball Ended

headless - round ball - thermoplastic



## Thrust Screws



**34042**

THRUST SCREWS

### Material

#### Steel type-

Body: steel, heat-treated, 1200 ±100 N/mm<sup>2</sup>.

Ball: thermoplastic POM, white.

#### Stainless steel type-

Body: stainless steel (AISI 303, 1.4305).

Ball: thermoplastic POM, white.

### Technical Notes

Ball-ended thrust screws with thermoplastic balls are used for brittle, pressure sensitive parts. For clamping, tightening or supporting surfaces that are not exactly

parallel.

Max temperature -30°C to 80°C.

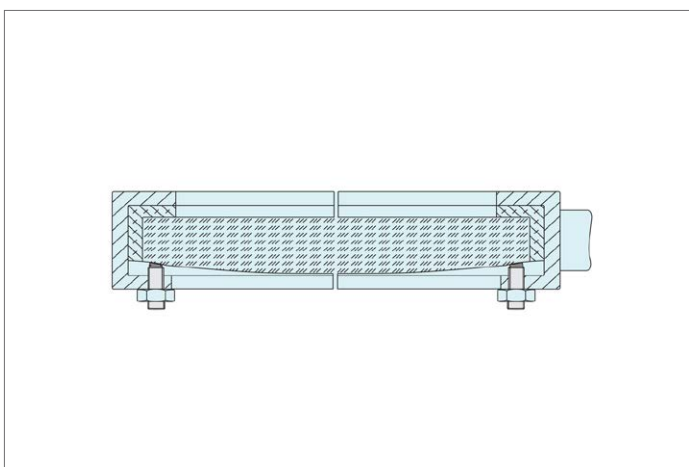
### Tips

Ball not secured against rotation. For other types see following pages.

Order No.	Material	Ball type	d <sub>1</sub>	d <sub>2</sub>	l <sub>1</sub>	A/F	Static load kN max.	Weight g
34042.W0252	Stainless	Round	M 4	2.5	6.0	2.0	0.3	0.2
34042.W0253	Stainless	Round	M 4	2.5	8.0	2.0	0.3	0.4
34042.W0254	Stainless	Round	M 4	2.5	10.0	2.0	0.3	0.7
34042.W0255	Stainless	Round	M 4	2.5	12.0	2.0	0.3	0.9
34042.W0256	Stainless	Round	M 4	2.5	16.0	2.0	0.3	1.1
34042.W0262	Stainless	Round	M 5	3.0	8.0	2.5	0.5	0.8
34042.W0263	Stainless	Round	M 5	3.0	10.0	2.5	0.5	0.8
34042.W0264	Stainless	Round	M 5	3.0	12.0	2.5	0.5	1.2
34042.W0265	Stainless	Round	M 5	3.0	16.0	2.5	0.5	1.4
34042.W0266	Stainless	Round	M 5	3.0	20.0	2.5	0.5	1.9
34042.W0267	Stainless	Round	M 5	3.0	25.0	2.5	0.5	2.5
34042.W0272	Stainless	Round	M 6	4.0	10.8	3.0	0.9	1.1
34042.W0273	Stainless	Round	M 6	4.0	12.8	3.0	0.9	1.4
34042.W0274	Stainless	Round	M 6	4.0	16.8	3.0	0.9	2.1
34042.W0275	Stainless	Round	M 6	4.0	20.8	3.0	0.9	2.8
34042.W0276	Stainless	Round	M 6	4.0	25.8	3.0	0.9	3.8
34042.W0281	Stainless	Round	M 8	5.5	11.2	4.0	1.5	1.9
34042.W0282	Stainless	Round	M 8	5.5	13.2	4.0	1.5	2.4
34042.W0283	Stainless	Round	M 8	5.5	17.2	4.0	1.5	3.6
34042.W0284	Stainless	Round	M 8	5.5	21.2	4.0	1.5	4.6
34042.W0285	Stainless	Round	M 8	5.5	26.2	4.0	1.5	6.3
34042.W0286	Stainless	Round	M 8	5.5	31.2	4.0	1.5	7.8
34042.W0291	Stainless	Round	M10	7.0	13.7	5.0	2.0	3.5
34042.W0292	Stainless	Round	M10	7.0	17.7	5.0	2.0	4.8
34042.W0293	Stainless	Round	M10	7.0	21.7	5.0	2.0	6.8
34042.W0294	Stainless	Round	M10	7.0	26.7	5.0	2.0	9.4
34042.W0295	Stainless	Round	M10	7.0	31.7	5.0	2.0	12.0
34042.W0296	Stainless	Round	M10	7.0	36.7	5.0	2.0	14.0
34042.W0297	Stainless	Round	M10	7.0	41.7	5.0	2.0	17.
34042.W0301	Stainless	Round	M12	8.5	18.0	6.0	3.0	6.8



Order No.	Material	Ball type	d <sub>1</sub>	d <sub>2</sub>	l <sub>1</sub>	A/F	Static load kN max.	Weight g
34042.W0302	Stainless	Round	M12	8.5	22.0	6.0	3.0	9.2
34042.W0303	Stainless	Round	M12	8.5	27.0	6.0	3.0	12.0
34042.W0304	Stainless	Round	M12	8.5	32.0	6.0	3.0	16.0
34042.W0306	Stainless	Round	M12	8.5	42.0	6.0	3.0	23.0
34042.W0308	Stainless	Round	M12	8.5	52.0	6.0	3.0	30.0
34042.W0342	Steel	Round	M 4	2.5	6.0	2.0	0.3	0.2
34042.W0343	Steel	Round	M 4	2.5	8.0	2.0	0.3	0.4
34042.W0344	Steel	Round	M 4	2.5	10.0	2.0	0.3	0.7
34042.W0345	Steel	Round	M 4	2.5	12.0	2.0	0.3	0.9
34042.W0346	Steel	Round	M 4	2.5	16.0	2.0	0.3	1.1
34042.W0352	Steel	Round	M 5	3.0	8.0	2.5	0.5	0.8
34042.W0353	Steel	Round	M 5	3.0	10.0	2.5	0.5	0.8
34042.W0354	Steel	Round	M 5	3.0	12.0	2.5	0.5	1.2
34042.W0355	Steel	Round	M 5	3.0	16.0	2.5	0.5	1.4
34042.W0356	Steel	Round	M 5	3.0	20.0	2.5	0.5	1.9
34042.W0358	Steel	Round	M 5	3.0	25.0	2.5	0.5	2.5
34042.W0362	Steel	Round	M 6	4.0	10.8	3.0	0.9	1.1
34042.W0363	Steel	Round	M 6	4.0	12.8	3.0	0.9	1.4
34042.W0364	Steel	Round	M 6	4.0	16.8	3.0	0.9	2.1
34042.W0365	Steel	Round	M 6	4.0	20.8	3.0	0.9	2.7
34042.W0366	Steel	Round	M 6	4.0	25.8	3.0	0.9	3.8
34042.W0381	Steel	Round	M 8	5.5	11.2	4.0	1.5	1.9
34042.W0382	Steel	Round	M 8	5.5	13.2	4.0	1.5	2.4
34042.W0383	Steel	Round	M 8	5.5	17.2	4.0	1.5	3.6
34042.W0384	Steel	Round	M 8	5.5	21.2	4.0	1.5	4.6
34042.W0385	Steel	Round	M 8	5.5	26.2	4.0	1.5	6.3
34042.W0386	Steel	Round	M 8	5.5	31.2	4.0	1.5	7.8
34042.W0401	Steel	Round	M10	7.0	13.7	5.0	2.0	3.5
34042.W0402	Steel	Round	M10	7.0	17.7	5.0	2.0	4.8
34042.W0403	Steel	Round	M10	7.0	21.7	5.0	2.0	6.8
34042.W0404	Steel	Round	M10	7.0	26.7	5.0	2.0	9.4
34042.W0405	Steel	Round	M10	7.0	31.7	5.0	2.0	12.0
34042.W0406	Steel	Round	M10	7.0	36.7	5.0	2.0	14.0
34042.W0408	Steel	Round	M10	7.0	41.7	5.0	2.0	17.0
34042.W0421	Steel	Round	M12	8.5	18.0	6.0	3.0	6.8
34042.W0422	Steel	Round	M12	8.5	22.0	6.0	3.0	9.2
34042.W0423	Steel	Round	M12	8.5	27.0	6.0	3.0	12.0
34042.W0424	Steel	Round	M12	8.5	32.0	6.0	3.0	16.0
34042.W0426	Steel	Round	M12	8.5	42.0	6.0	3.0	23.0
34042.W0428	Steel	Round	M12	8.5	52.0	6.0	3.0	30.0



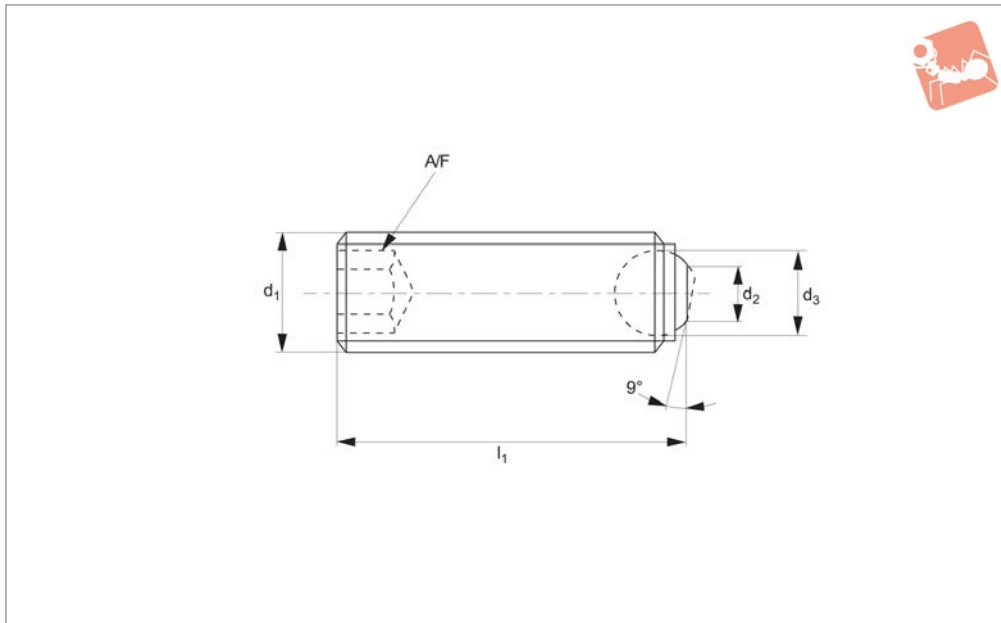


# Thrust Screws - Ball Ended

headless - flat faced ball - ribbed - metal



## Thrust Screws



**34044**

THRUST SCREWS

### Material

Body: steel, heat-treated, 1200 ±100 N/mm<sup>2</sup>.

Ball: ball bearing steel, hardened.

### Technical Notes

For clamping, tightening or supporting of

surfaces that are not exactly parallel.

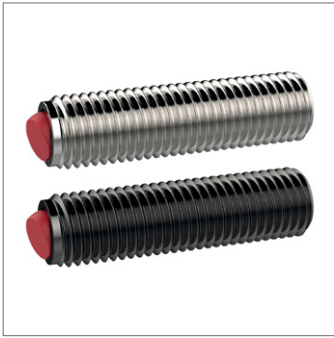
Max. operating temperature 250°C.

### Tips

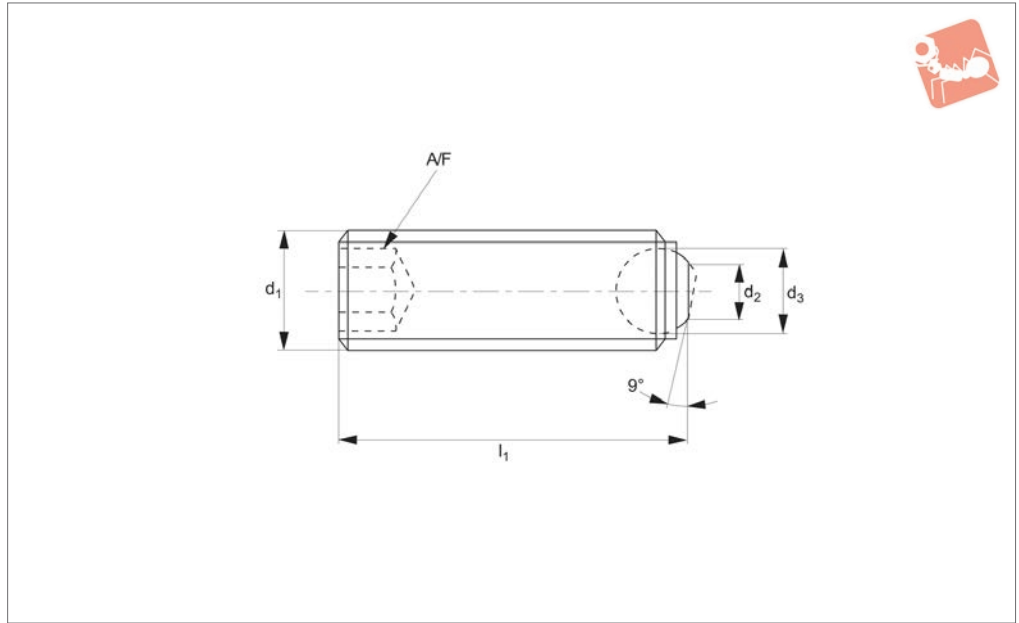
Ball not secured against rotation. It is possible for the flat faced ball to flip and expose the spherical face of the ball. For

other types see following pages.

Order No.	Ball type	d <sub>1</sub>	d <sub>2</sub>	d <sub>3</sub>	l <sub>1</sub>	A/F	Static load kN max.	Weight g
34044.W0891	Flat, Ribbed	M 8	4.5	5.5	10	4	15	3
34044.W0892	Flat, Ribbed	M 8	4.5	5.5	12	4	15	3
34044.W0893	Flat, Ribbed	M 8	4.5	5.5	16	4	15	4
34044.W0894	Flat, Ribbed	M 8	4.5	5.5	20	4	15	5
34044.W0895	Flat, Ribbed	M 8	4.5	5.5	25	4	15	7
34044.W0896	Flat, Ribbed	M 8	4.5	5.5	30	4	15	8
34044.W0901	Flat, Ribbed	M10	6.0	7.0	12	5	20	5
34044.W0902	Flat, Ribbed	M10	6.0	7.0	16	5	20	6
34044.W0903	Flat, Ribbed	M10	6.0	7.0	20	5	20	8
34044.W0904	Flat, Ribbed	M10	6.0	7.0	25	5	20	10
34044.W0905	Flat, Ribbed	M10	6.0	7.0	30	5	20	13
34044.W0906	Flat, Ribbed	M10	6.0	7.0	35	5	20	15
34044.W0908	Flat, Ribbed	M10	6.0	7.0	40	5	20	17
34044.W0921	Flat, Ribbed	M12	7.2	8.5	16	6	30	9
34044.W0922	Flat, Ribbed	M12	7.2	8.5	20	6	30	11
34044.W0923	Flat, Ribbed	M12	7.2	8.5	25	6	30	14
34044.W0924	Flat, Ribbed	M12	7.2	8.5	30	6	30	18
34044.W0926	Flat, Ribbed	M12	7.2	8.5	40	6	30	25
34044.W0928	Flat, Ribbed	M12	7.2	8.5	50	6	30	32
34044.W0961	Flat, Ribbed	M16	10.7	12	20	8	60	21
34044.W0962	Flat, Ribbed	M16	10.7	12	25	8	60	26
34044.W0964	Flat, Ribbed	M16	10.7	12	35	8	60	40
34044.W0966	Flat, Ribbed	M16	10.7	12	50	8	60	60
34044.W0972	Flat, Ribbed	M20	13.5	15	30	10	90	50
34044.W0974	Flat, Ribbed	M20	13.5	15	40	10	90	70
34044.W0975	Flat, Ribbed	M20	13.5	15	50	10	90	89
34044.W0976	Flat, Ribbed	M20	13.5	15	60	10	90	111
34044.W0982	Flat, Ribbed	M24	15.8	18	35	12	120	84
34044.W0984	Flat, Ribbed	M24	15.8	18	50	12	120	125
34044.W0986	Flat, Ribbed	M24	15.5	18	80	12	120	219



## 34045



THRUST SCREWS

### Material

#### Steel type-

Body: steel, heat-treated, 1200 ±100 N/mm<sup>2</sup>.

Ball: thermoplastic, red (POM).

#### Stainless steel type-

Body: stainless steel (AISI 303, 1.4305).

Ball: thermoplastic, red (POM).

### Technical Notes

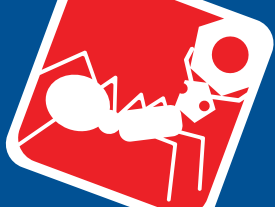
Ball-ended thrust screws with thermoplastic balls are used for brittle, pressure sensitive parts. For clamping, tightening or supporting surfaces that are not exactly

parallel.

### Tips

Ball not secured against rotation. It is possible for the flat faced ball to flip and expose the spherical pace of the ball.

Order No.	Material	Type	d <sub>1</sub>	d <sub>2</sub>	d <sub>3</sub>	l <sub>1</sub>	A/F	Static load kN max.	Weight g
34045.W0452	Steel	Flat, Plain	M 4	1.8	2.5	5.9	2	0.3	0.2
34045.W0453	Steel	Flat, Plain	M 4	1.8	2.5	7.9	2	0.3	0.4
34045.W0454	Steel	Flat, Plain	M 4	1.8	2.5	9.9	2	0.3	0.5
34045.W0455	Steel	Flat, Plain	M 4	1.8	2.5	11.9	2	0.3	0.9
34045.W0456	Steel	Flat, Plain	M 4	1.8	2.5	15.9	2	0.3	0.9
34045.W0462	Steel	Flat, Plain	M 5	2.1	3.0	7.8	3	0.5	0.8
34045.W0463	Steel	Flat, Plain	M 5	2.1	3.0	9.8	3	0.5	0.7
34045.W0464	Steel	Flat, Plain	M 5	2.1	3.0	11.8	3	0.5	1.2
34045.W0465	Steel	Flat, Plain	M 5	2.1	3.0	15.8	3	0.5	1.4
34045.W0466	Steel	Flat, Plain	M 5	2.1	3.0	19.8	3	0.5	2.0
34045.W0467	Steel	Flat, Plain	M 5	2.1	3.0	24.8	3	0.5	2.7
34045.W0472	Steel	Flat, Plain	M 6	3.0	4.0	10.3	3	0.9	1.1
34045.W0473	Steel	Flat, Plain	M 6	3.0	4.0	12.3	3	0.9	1.7
34045.W0474	Steel	Flat, Plain	M 6	3.0	4.0	16.3	3	0.9	2.1
34045.W0475	Steel	Flat, Plain	M 6	3.0	4.0	20.3	3	0.9	2.8
34045.W0476	Steel	Flat, Plain	M 6	3.0	4.0	25.3	3	0.9	3.6
34045.W0482	Steel	Flat, Plain	M 8	4.2	5.5	10.4	4	1.5	1.8
34045.W0483	Steel	Flat, Plain	M 8	4.2	5.5	12.4	4	1.5	2.2
34045.W0484	Steel	Flat, Plain	M 8	4.2	5.5	16.4	4	1.5	3.4
34045.W0485	Steel	Flat, Plain	M 8	4.2	5.5	20.4	4	1.5	4.8
34045.W0486	Steel	Flat, Plain	M 8	4.2	5.5	25.4	4	1.5	6.1
34045.W0487	Steel	Flat, Plain	M 8	4.2	5.5	30.4	4	1.5	7.6
34045.W0492	Stainless	Flat, Plain	M 4	1.8	2.5	5.9	2	0.3	0.2
34045.W0493	Stainless	Flat, Plain	M 4	1.8	2.5	7.9	2	0.3	0.4
34045.W0494	Stainless	Flat, Plain	M 4	1.8	2.5	9.9	2	0.3	0.5
34045.W0495	Stainless	Flat, Plain	M 4	1.8	2.5	11.9	2	0.3	0.9
34045.W0496	Stainless	Flat, Plain	M 4	1.8	2.5	15.9	2	0.3	0.9
34045.W0502	Stainless	Flat, Plain	M 5	2.1	3.0	7.8	3	0.5	0.8
34045.W0503	Stainless	Flat, Plain	M 5	2.1	3.0	9.8	3	0.5	0.7
34045.W0504	Stainless	Flat, Plain	M 5	2.1	3.0	11.8	3	0.5	1.2



# Thrust Screws - Ball Ended

headless - flat faced ball - thermoplastic

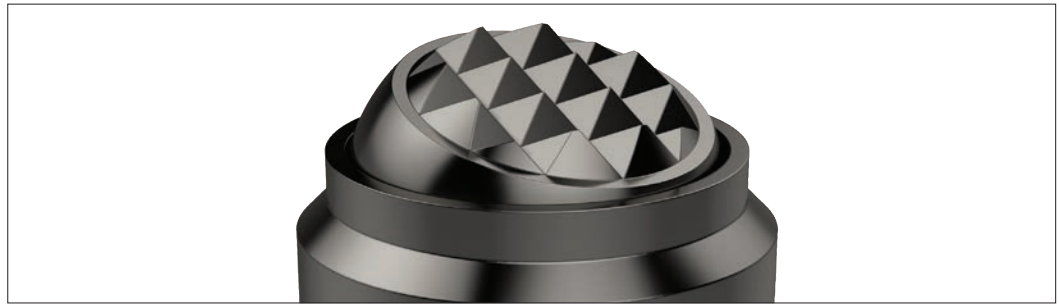


## Thrust Screws

Order No.	Material	Type	d <sub>1</sub>	d <sub>2</sub>	d <sub>3</sub>	l <sub>1</sub>	A/F	Static load kN max.	Weight g
<b>34045.W0505</b>	Stainless	Flat, Plain	M 5	2.1	3.0	15.8	3	0.5	1.4
<b>34045.W0506</b>	Stainless	Flat, Plain	M 5	2.1	3.0	19.8	3	0.5	2.0
<b>34045.W0507</b>	Stainless	Flat, Plain	M 5	2.1	3.0	24.8	3	0.5	2.7
<b>34045.W0512</b>	Stainless	Flat, Plain	M 6	3.0	4.0	10.3	3	0.9	1.1
<b>34045.W0513</b>	Stainless	Flat, Plain	M 6	3.0	4.0	12.3	3	0.9	1.7
<b>34045.W0514</b>	Stainless	Flat, Plain	M 6	3.0	4.0	16.3	3	0.9	2.1
<b>34045.W0515</b>	Stainless	Flat, Plain	M 6	3.0	4.0	20.3	3	0.9	2.8
<b>34045.W0516</b>	Stainless	Flat, Plain	M 6	3.0	4.0	25.3	3	0.9	3.6
<b>34045.W0522</b>	Stainless	Flat, Plain	M 8	4.2	5.5	10.4	4	1.5	1.8
<b>34045.W0523</b>	Stainless	Flat, Plain	M 8	4.2	5.5	12.4	4	1.5	2.2
<b>34045.W0524</b>	Stainless	Flat, Plain	M 8	4.2	5.5	16.4	4	1.5	3.4
<b>34045.W0525</b>	Stainless	Flat, Plain	M 8	4.2	5.5	20.4	4	1.5	4.8
<b>34045.W0526</b>	Stainless	Flat, Plain	M 8	4.2	5.5	25.4	4	1.5	6.1
<b>34045.W0527</b>	Stainless	Flat, Plain	M 8	4.2	5.5	30.4	4	1.5	7.6



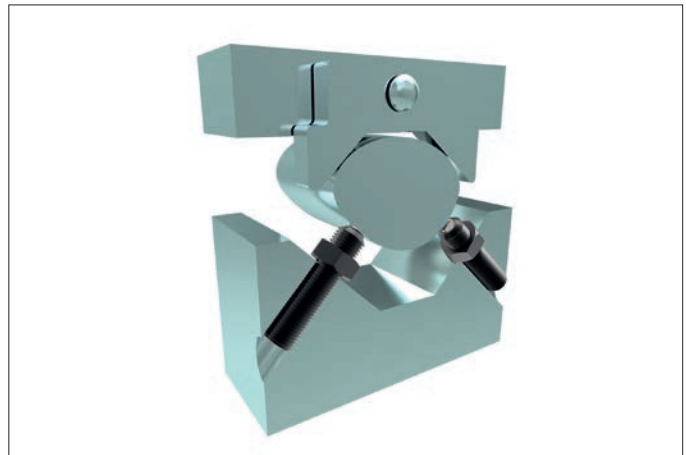
Clamping, supporting and aligning non-parallel and uneven surfaces is greatly simplified with the use of Wixroyd self-aligning pads and thrust screws. Available with ridged faces for improved holding of cast components, or plastic faces for holding more delicate parts.



THRUST SCREWS

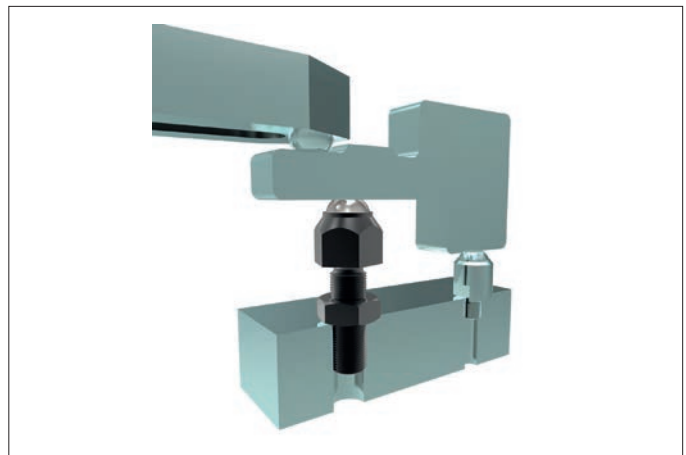
### Self-aligning Thrust Screws

**34000 to 34060** - Self-aligning thrust screws in sizes M6 to M24, ideal for clamping or supporting non-parallel surfaces.



### Self-aligning Pads

**34080 to 34121** - Self-aligning pads, both male and female mounting, ideal for accommodating variations between parts in fixtures.



### Thrust Screws

**34140 to 34160** - Thrust screws, with either brass or thermoplastic pads, are suitable for gentle clamping and positioning more delicate parts.

