

### 34140.1

THRUST SCREWS

#### Material

Screw: heat treated steel, 1200 +/-100 N/mm<sup>2</sup>.

Pad: brass.

#### Technical Notes

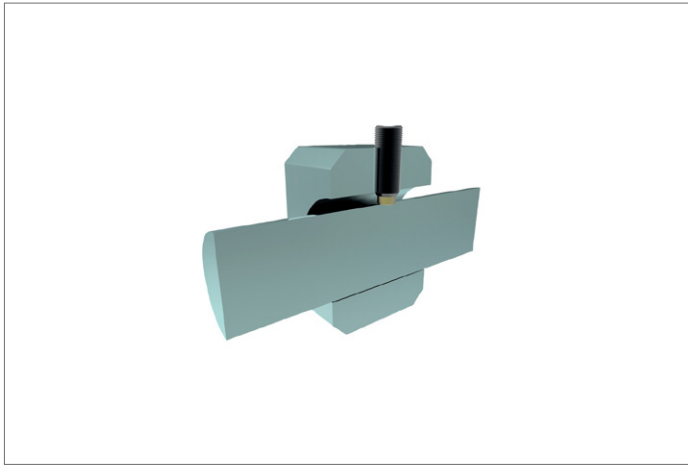
Brass pad pressed in. These thrust screws can be used for gentle clamping or pressing of threaded spindles, axles, shafts or

surface treated parts.

Order No.	Material	Type	d <sub>1</sub>	l <sub>1</sub>	l <sub>2</sub>	d <sub>2</sub>	A/F	Weight g
34140.W0034	Steel	Brass Pad	M 3	7.5	1.0	1.5	1.5	0.3
34140.W0036	Steel	Brass Pad	M 3	10.0	1.0	1.5	1.5	0.5
34140.W0042	Steel	Brass Pad	M 4	6.5	1.2	2.5	2.0	0.3
34140.W0044	Steel	Brass Pad	M 4	10.5	1.2	2.5	2.0	0.8
34140.W0046	Steel	Brass Pad	M 4	16.5	1.2	2.5	2.0	1.2
34140.W0052	Steel	Brass Pad	M 5	8.5	1.3	3.0	2.5	0.9
34140.W0054	Steel	Brass Pad	M 5	12.5	1.3	3.0	2.5	1.4
34140.W0056	Steel	Brass Pad	M 5	20.5	1.3	3.0	2.5	2.1
34140.W0062	Steel	Brass Pad	M 6	11.5	1.9	4.0	3.0	1.7
34140.W0064	Steel	Brass Pad	M 6	17.5	1.9	4.0	3.0	2.7
34140.W0066	Steel	Brass Pad	M 6	26.5	1.9	4.0	3.0	4.2
34140.W0080	Steel	Brass Pad	M 8	8.0	1.4	5.5	4.0	2.2
34140.W0082	Steel	Brass Pad	M 8	12.0	2.5	5.5	4.0	3.0
34140.W0086	Steel	Brass Pad	M 8	22.0	2.5	5.5	4.0	5.8
34140.W0088	Steel	Brass Pad	M 8	32.0	2.5	5.5	4.0	8.9
34140.W0102	Steel	Brass Pad	M10	14.0	2.7	7.0	5.0	5.6
34140.W0104	Steel	Brass Pad	M10	18.0	2.7	7.0	5.0	6.7
34140.W0106	Steel	Brass Pad	M10	27.0	2.7	7.0	5.0	11.0
34140.W0108	Steel	Brass Pad	M10	37.0	2.7	7.0	5.0	16.0
34140.W0122	Steel	Brass Pad	M12	18.5	3.4	8.5	6.0	10.0
34140.W0124	Steel	Brass Pad	M12	22.5	3.4	8.5	6.0	12.0
34140.W0126	Steel	Brass Pad	M12	32.5	3.4	8.5	6.0	20.0
34140.W0128	Steel	Brass Pad	M12	42.5	3.4	8.5	6.0	29.0



THRUST SCREWS

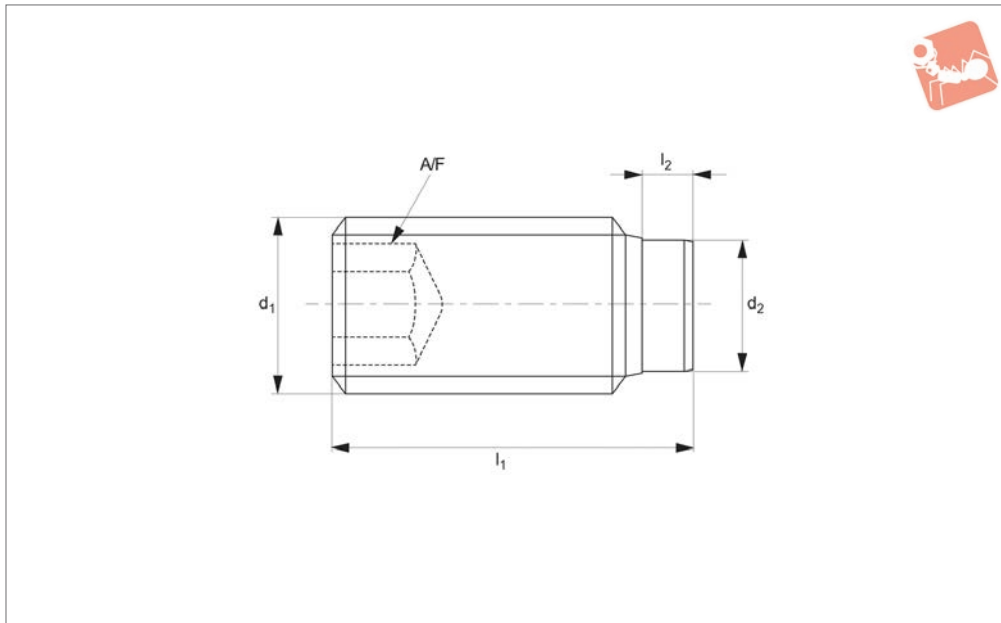




# Thrust Screws - Brass Pad stainless steel



## Thrust Screws



**34140.2**

THRUST SCREWS

### Material

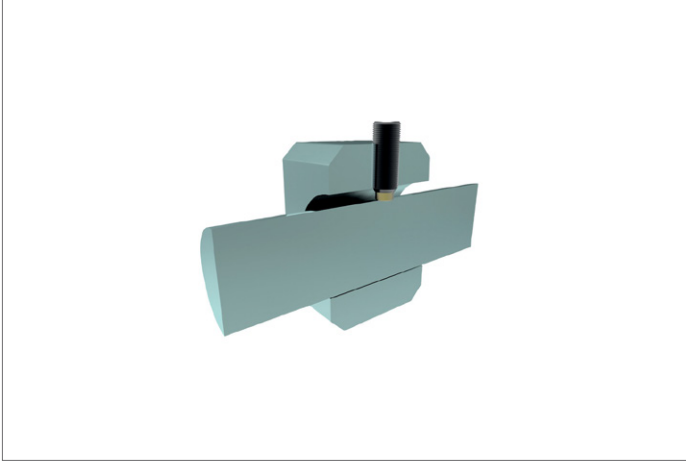
Screw: stainless steel 1.4305 (AISI 303).  
Pad: brass.

### Technical Notes

Brass pad pressed in. These thrust screws can be used for gentle clamping or pres-

sing of threaded spindles, axles, shafts or surface treated parts.

Order No.	Material	Type	d <sub>1</sub>	l <sub>1</sub>	l <sub>2</sub>	d <sub>2</sub>	A/F	Weight g
34140.W0432	Stainless	Brass Pad	M 3	5.0	1.0	1.5	1.5	0.2
34140.W0434	Stainless	Brass Pad	M 3	7.5	1.0	1.5	1.5	0.3
34140.W0436	Stainless	Brass Pad	M 3	10.0	1.0	1.5	1.5	0.5
34140.W0442	Stainless	Brass Pad	M 4	6.5	1.2	2.5	2.0	0.3
34140.W0444	Stainless	Brass Pad	M 4	10.5	1.2	2.5	2.0	0.8
34140.W0446	Stainless	Brass Pad	M 4	16.5	1.2	2.5	2.0	1.2
34140.W0452	Stainless	Brass Pad	M 5	8.5	1.3	3.0	2.5	0.9
34140.W0454	Stainless	Brass Pad	M 5	12.5	1.3	3.0	2.5	1.4
34140.W0456	Stainless	Brass Pad	M 5	20.5	1.3	3.0	2.5	2.1
34140.W0462	Stainless	Brass Pad	M 6	11.5	1.9	4.0	3.0	1.7
34140.W0464	Stainless	Brass Pad	M 6	17.5	1.9	4.0	3.0	2.7
34140.W0466	Stainless	Brass Pad	M 6	26.5	1.9	4.0	3.0	4.2
34140.W0482	Stainless	Brass Pad	M 8	12.0	2.5	5.5	4.0	3.0
34140.W0486	Stainless	Brass Pad	M 8	22.0	2.5	5.5	4.0	5.8
34140.W0488	Stainless	Brass Pad	M 8	32.0	2.5	5.5	4.0	8.9
34140.W0502	Stainless	Brass Pad	M10	14.0	2.7	7.0	5.0	5.6
34140.W0504	Stainless	Brass Pad	M10	18.0	2.7	7.0	5.0	6.7
34140.W0506	Stainless	Brass Pad	M10	27.0	2.7	7.0	5.0	11.0
34140.W0508	Stainless	Brass Pad	M10	37.0	2.7	7.0	5.0	16.0
34140.W0522	Stainless	Brass Pad	M12	18.5	3.4	8.5	6.0	10.0
34140.W0524	Stainless	Brass Pad	M12	22.5	3.4	8.5	6.0	12.0
34140.W0526	Stainless	Brass Pad	M12	32.5	3.4	8.5	6.0	20.0
34140.W0528	Stainless	Brass Pad	M12	42.5	3.4	8.5	6.0	29.0

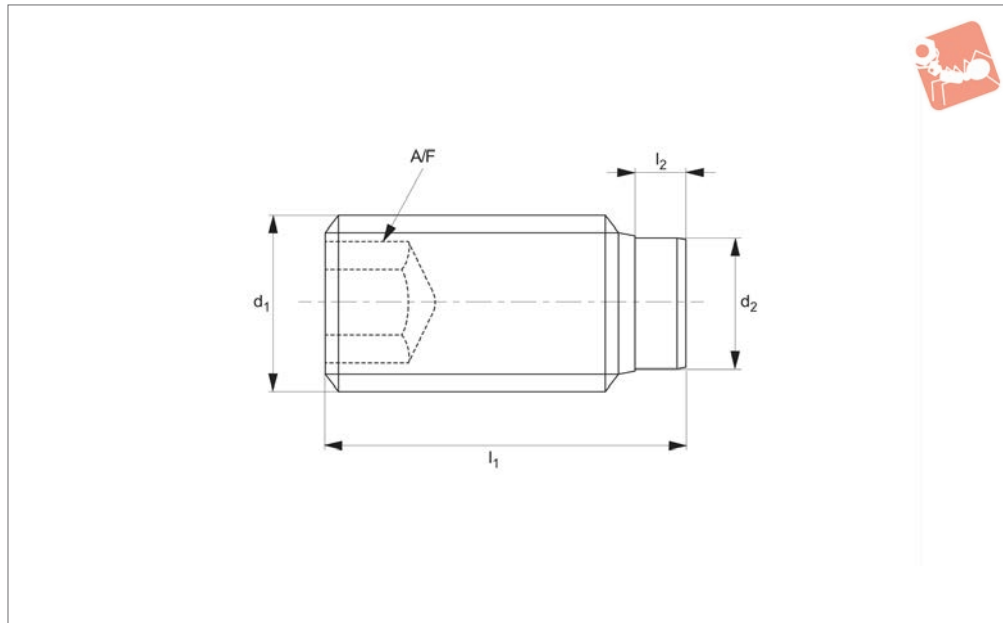




# Thrust Screws - Plastic Pad steel



## Thrust Screws



**34160.1**

THRUST SCREWS

### Material

Screw: heat treated steel, 1200 +/-100 N/mm<sup>2</sup>.

Pad: thermoplastic POM, white.

### Technical Notes

Thermoplastic bolt pressed in.

For gentle clamping or pressing of thread spindles, axles, shafts and surface treated

parts.

Order No.	Material	Type	d <sub>1</sub>	l <sub>1</sub>	l <sub>2</sub>	d <sub>2</sub>	A/F	Weight g
34160.W0242	Steel	Thermo Pad	M 4	7.0	1.0	2.0	2.0	0.3
34160.W0243	Steel	Thermo Pad	M 4	9.0	1.0	2.0	2.0	0.4
34160.W0244	Steel	Thermo Pad	M 4	11.0	1.0	2.0	2.0	0.6
34160.W0245	Steel	Thermo Pad	M 4	13.0	1.0	2.0	2.0	0.7
34160.W0246	Steel	Thermo Pad	M 4	17.0	1.0	2.0	2.0	1.0
34160.W0247	Steel	Thermo Pad	M 4	21.0	1.0	2.0	2.0	1.3
34160.W0252	Steel	Thermo Pad	M 5	9.0	1.0	3.0	2.5	0.7
34160.W0253	Steel	Thermo Pad	M 5	11.0	1.0	3.0	2.5	0.8
34160.W0254	Steel	Thermo Pad	M 5	13.0	1.0	3.0	2.5	1.0
34160.W0255	Steel	Thermo Pad	M 5	17.0	1.0	3.0	2.5	1.2
34160.W0256	Steel	Thermo Pad	M 5	21.0	1.0	3.0	2.5	2.0
34160.W0257	Steel	Thermo Pad	M 5	26.0	1.0	3.0	2.5	2.6
34160.W0262	Steel	Thermo Pad	M 6	11.3	1.3	3.5	3.0	1.2
34160.W0263	Steel	Thermo Pad	M 6	13.3	1.3	3.5	3.0	1.5
34160.W0264	Steel	Thermo Pad	M 6	17.3	1.3	3.5	3.0	2.2
34160.W0265	Steel	Thermo Pad	M 6	21.3	1.3	3.5	3.0	2.8
34160.W0266	Steel	Thermo Pad	M 6	26.3	1.3	3.5	3.0	3.8
34160.W0267	Steel	Thermo Pad	M 6	33.3	1.3	3.5	3.0	4.9
34160.W0268	Steel	Thermo Pad	M 6	41.3	1.3	3.5	3.0	6.3
34160.W0270	Steel	Thermo Pad	M 6	51.3	1.3	3.5	3.0	7.9
34160.W0282	Steel	Thermo Pad	M 8	13.6	1.6	5.0	4.0	2.6
34160.W0283	Steel	Thermo Pad	M 8	17.6	1.6	5.0	4.0	3.6
34160.W0284	Steel	Thermo Pad	M 8	21.6	1.6	5.0	4.0	5.0
34160.W0285	Steel	Thermo Pad	M 8	26.6	1.6	5.0	4.0	6.4
34160.W0286	Steel	Thermo Pad	M 8	33.6	1.6	5.0	4.0	8.5
34160.W0287	Steel	Thermo Pad	M 8	41.6	1.6	5.0	4.0	11.0
34160.W0288	Steel	Thermo Pad	M 8	51.6	1.6	5.0	4.0	14.0
34160.W0290	Steel	Thermo Pad	M 8	64.6	1.6	5.0	4.0	18.0
34160.W0302	Steel	Thermo Pad	M10	17.9	1.9	6.5	5.0	5.2
34160.W0303	Steel	Thermo Pad	M10	21.9	1.9	6.5	5.0	7.1
34160.W0304	Steel	Thermo Pad	M10	26.9	1.9	6.5	5.0	9.9
34160.W0305	Steel	Thermo Pad	M10	33.9	1.9	6.5	5.0	13.0
34160.W0306	Steel	Thermo Pad	M10	41.9	1.9	6.5	5.0	17.0
34160.W0307	Steel	Thermo Pad	M10	51.9	1.9	6.5	5.0	22.0



Order No.	Material	Type	d <sub>1</sub>	l <sub>1</sub>	l <sub>2</sub>	d <sub>2</sub>	A/F	Weight g
<b>34160.W0308</b>	Steel	Thermo Pad	M10	64.9	1.9	6.5	5.0	28.0
<b>34160.W0310</b>	Steel	Thermo Pad	M10	81.9	1.9	6.5	5.0	36.0
<b>34160.W0322</b>	Steel	Thermo Pad	M12	22.1	2.1	8.0	6.0	9.0
<b>34160.W0323</b>	Steel	Thermo Pad	M12	27.1	2.1	8.0	6.0	10.0
<b>34160.W0324</b>	Steel	Thermo Pad	M12	34.1	2.1	8.0	6.0	19.0
<b>34160.W0325</b>	Steel	Thermo Pad	M12	42.1	2.1	8.0	6.0	24.0
<b>34160.W0326</b>	Steel	Thermo Pad	M12	52.1	2.1	8.0	6.0	31.0
<b>34160.W0327</b>	Steel	Thermo Pad	M12	65.1	2.1	8.0	6.0	40.0
<b>34160.W0330</b>	Steel	Thermo Pad	M12	82.1	2.1	8.0	6.0	51.0
<b>34160.W0332</b>	Steel	Thermo Pad	M12	102.1	2.1	8.0	6.0	66.0

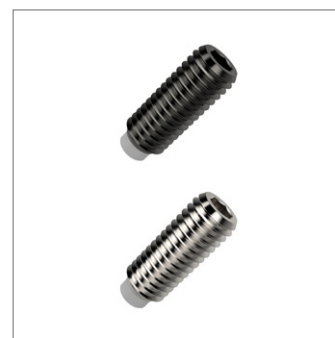
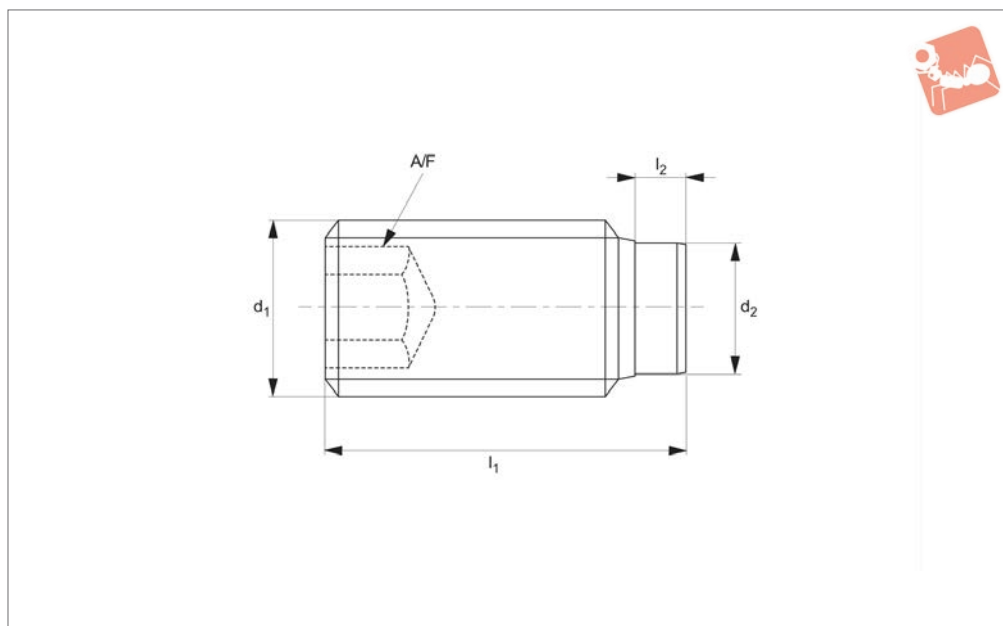


# Thrust Screws - Plastic Pad

stainless steel



## Thrust Screws



**34160.2**

THRUST SCREWS

### Material

Screw: stainless steel 1.4305 (AISI 303).  
Pad: thermoplastic POM, white.

### Technical Notes

Thermoplastic bolt pressed in.  
For gentle clamping or pressing of thread

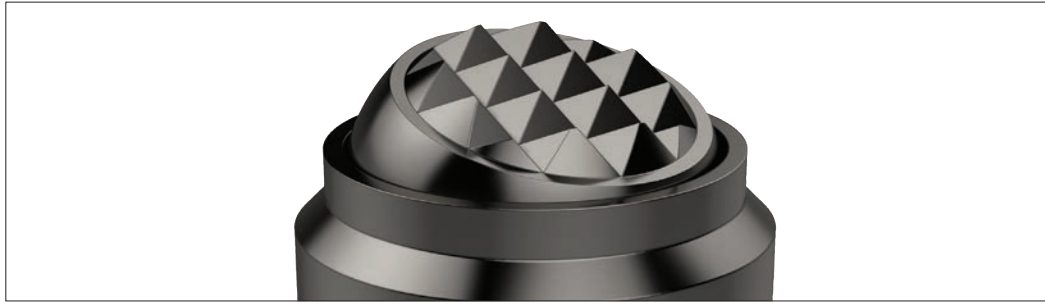
spindles, axles, shafts and surface treated parts.

Order No.	Material	Type	d <sub>1</sub>	l <sub>1</sub>	l <sub>2</sub>	d <sub>2</sub>	A/F	Weight g
34160.W0632	Stainless	Thermo Pad	M 3	3.8	0.8	1.5	1.5	0.2
34160.W0634	Stainless	Thermo Pad	M 3	5.8	0.8	1.5	1.5	0.3
34160.W0636	Stainless	Thermo Pad	M 3	8.8	0.8	1.5	1.5	0.4
34160.W0638	Stainless	Thermo Pad	M 3	10.8	0.8	1.5	1.5	0.5
34160.W0642	Stainless	Thermo Pad	M 4	7.0	1.0	2.0	2.0	0.3
34160.W0643	Stainless	Thermo Pad	M 4	9.0	1.0	2.0	2.0	0.4
34160.W0644	Stainless	Thermo Pad	M 4	11.0	1.0	2.0	2.0	0.6
34160.W0645	Stainless	Thermo Pad	M 4	13.0	1.0	2.0	2.0	0.7
34160.W0646	Stainless	Thermo Pad	M 4	17.0	1.0	2.0	2.0	1.0
34160.W0652	Stainless	Thermo Pad	M 5	9.0	1.0	3.0	2.5	0.7
34160.W0653	Stainless	Thermo Pad	M 5	11.0	1.0	3.0	2.5	0.8
34160.W0654	Stainless	Thermo Pad	M 5	13.0	1.0	3.0	2.5	1.0
34160.W0655	Stainless	Thermo Pad	M 5	17.0	1.0	3.0	2.5	1.2
34160.W0656	Stainless	Thermo Pad	M 5	21.0	1.0	3.0	2.5	2.0
34160.W0662	Stainless	Thermo Pad	M 6	11.3	1.3	3.5	3.0	1.2
34160.W0663	Stainless	Thermo Pad	M 6	13.3	1.3	3.5	3.0	1.5
34160.W0664	Stainless	Thermo Pad	M 6	17.3	1.3	3.5	3.0	2.2
34160.W0665	Stainless	Thermo Pad	M 6	21.3	1.3	3.5	3.0	2.8
34160.W0666	Stainless	Thermo Pad	M 6	26.3	1.3	3.5	3.0	3.8
34160.W0667	Stainless	Thermo Pad	M 6	33.3	1.3	3.5	3.0	4.9
34160.W0682	Stainless	Thermo Pad	M 8	13.6	1.6	5.0	4.0	2.6
34160.W0683	Stainless	Thermo Pad	M 8	17.6	1.6	5.0	4.0	3.6
34160.W0684	Stainless	Thermo Pad	M 8	21.6	1.6	5.0	4.0	5.0
34160.W0685	Stainless	Thermo Pad	M 8	26.6	1.6	5.0	4.0	6.4
34160.W0686	Stainless	Thermo Pad	M 8	33.6	1.6	5.0	4.0	8.5
34160.W0687	Stainless	Thermo Pad	M 8	41.6	1.6	5.0	4.0	11.0
34160.W0702	Stainless	Thermo Pad	M10	17.9	1.9	6.5	5.0	5.2
34160.W0703	Stainless	Thermo Pad	M10	21.9	1.9	6.5	5.0	7.1
34160.W0704	Stainless	Thermo Pad	M10	26.9	1.9	6.5	5.0	9.9
34160.W0705	Stainless	Thermo Pad	M10	33.9	1.9	6.5	5.0	13.0
34160.W0706	Stainless	Thermo Pad	M10	41.9	1.9	6.5	5.0	17.0
34160.W0707	Stainless	Thermo Pad	M10	51.9	1.9	6.5	5.0	22.0
34160.W0722	Stainless	Thermo Pad	M12	22.1	2.1	8.0	6.0	9.0
34160.W0723	Stainless	Thermo Pad	M12	27.1	2.1	8.0	6.0	10.0



Order No.	Material	Type	d <sub>1</sub>	l <sub>1</sub>	l <sub>2</sub>	d <sub>2</sub>	A/F	Weight g
<b>34160.W0724</b>	Stainless	Thermo Pad	M12	34.1	2.1	8.0	6.0	19.0
<b>34160.W0725</b>	Stainless	Thermo Pad	M12	42.1	2.1	8.0	6.0	24.0
<b>34160.W0726</b>	Stainless	Thermo Pad	M12	52.1	2.1	8.0	6.0	31.0
<b>34160.W0727</b>	Stainless	Thermo Pad	M12	65.1	2.1	8.0	6.0	40.0



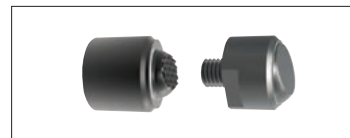
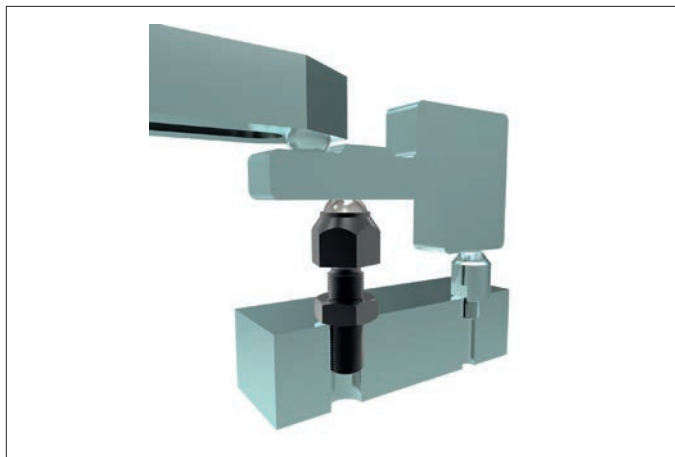


Clamping, supporting and aligning non-parallel and uneven surfaces is greatly simplified with the use of Wixroyd self-aligning pads and thrust screws. Available with ridged faces for improved holding of cast components, or plastic faces for holding more delicate parts.



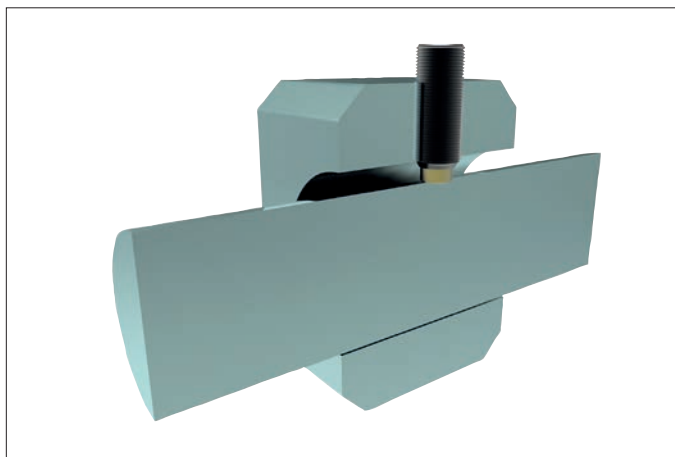
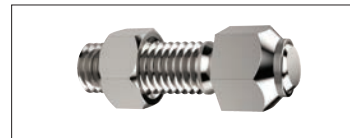
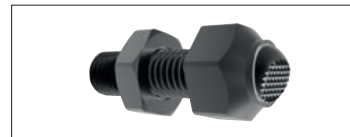
### Self-aligning Thrust Screws

**34000 to 34060** - Self-aligning thrust screws in sizes M6 to M24, ideal for clamping or supporting non-parallel surfaces.



### Self-aligning Pads

**34080 to 34121** - Self-aligning pads, both male and female mounting, ideal for accommodating variations between parts in fixtures.



### Thrust Screws

**34140 to 34160** - Thrust screws, with either brass or thermoplastic pads, are suitable for gentle clamping and positioning more delicate parts.



THRUST SCREWS

ov-W34000-A-T-W34160.2-AP0124-T-self-aligning-pads-and-thrust-screws-a-rmh - Updated - 28-10-2022