

65504

BALL AND SOCKET JOINTS

Material

Stainless steel (A2, AISI 303).

Technical Notes

To DIN 71802 form CS, supplied with hexagon nut.

Safety ring aids the retention of the ball

stud in the housing.

*M14x1,5 is a fine pitch thread.

Tips

For sealing cap version, see , standard thread is right hand, (for left hand thread see 65506).

Important Notes

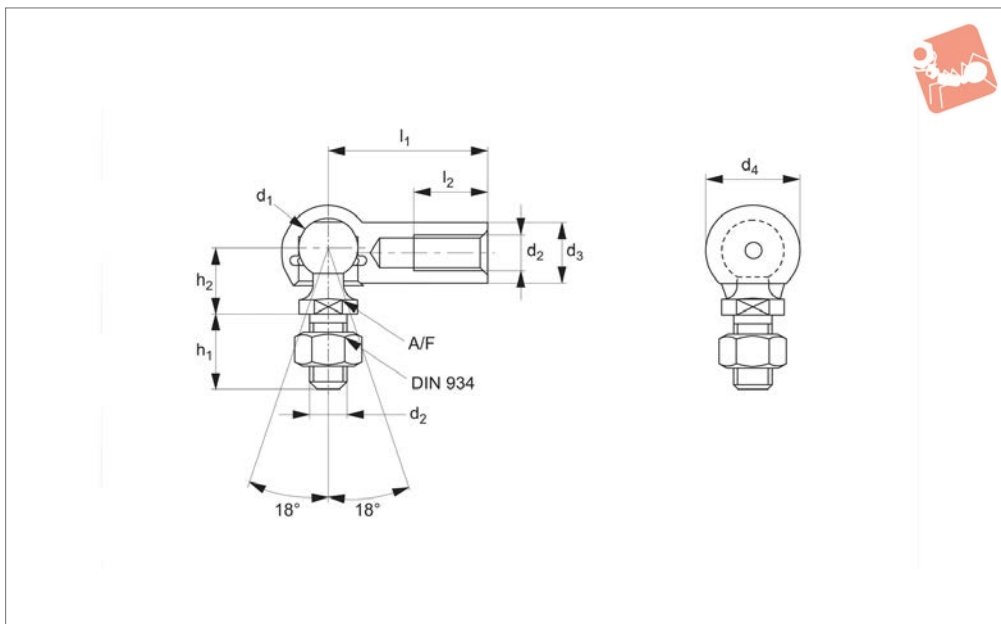
Thread is not full length. There is a min 1.5mm unthreaded shank. If using part without the supplied nut, then please consider a counterbore to accommodate the unthreaded shank.

Order No.	Thread hand	d ₁	l ₁ ±0.3	d ₂	d ₃	d ₄	h ₁ ±0.3	Weight g
65504.W0005	Right	8	22	M 5	8	12.8	10.2	15.2
65504.W0006	Right	10	25	M 6	10	14.8	12.5	25.2
65504.W0008	Right	13	30	M 8	13	19.3	16.5	53.1
65504.W0010	Right	16	35	M10	16	24.0	20.0	103.8
65504.W0012	Right	16	35	M12	16	24.0	20.0	103.8
65504.W0014	Right	19	45	M14x1,5*	22	30.0	28.0	220.9
65504.W0015	Right	19	45	M14	22	30.0	28.0	220.9
65504.W0016	Right	19	45	M16	22	30.0	28.0	220.9

Order No.	h ₂ ±0.3	l ₂ min.	A/F tol. h14	Extraction force kg min.	Static load kg max.	Dyn. load C kg max.	Force required for movement kg max.
65504.W0005	9	10.2	7	3	50	20	3
65504.W0006	11	11.5	8	4	100	40	4
65504.W0008	13	14.0	11	6	200	80	6
65504.W0010	16	15.5	13	8	400	160	8
65504.W0012	16	15.5	13	8	400	160	8
65504.W0014	22	21.5	16	10	800	320	10
65504.W0015	22	21.5	16	10	800	320	10
65504.W0016	22	21.5	16	10	800	320	10



65506



Material

Stainless steel (A2, AISI 303).

Technical Notes

To DIN 71802 form CS, supplied with hexagon nut.

Safety ring aids the retention of the ball

stud in the housing.

*M14x1,5 is a fine pitch thread.

Tips

Stud: right hand thread.

Housing: left hand thread

For sealing cap version, see .

Important Notes

Thread is not full length. There is a min 1.5mm unthreaded shank. If using part without the supplied nut, then please consider a counterbore to accommodate the unthreaded shank.

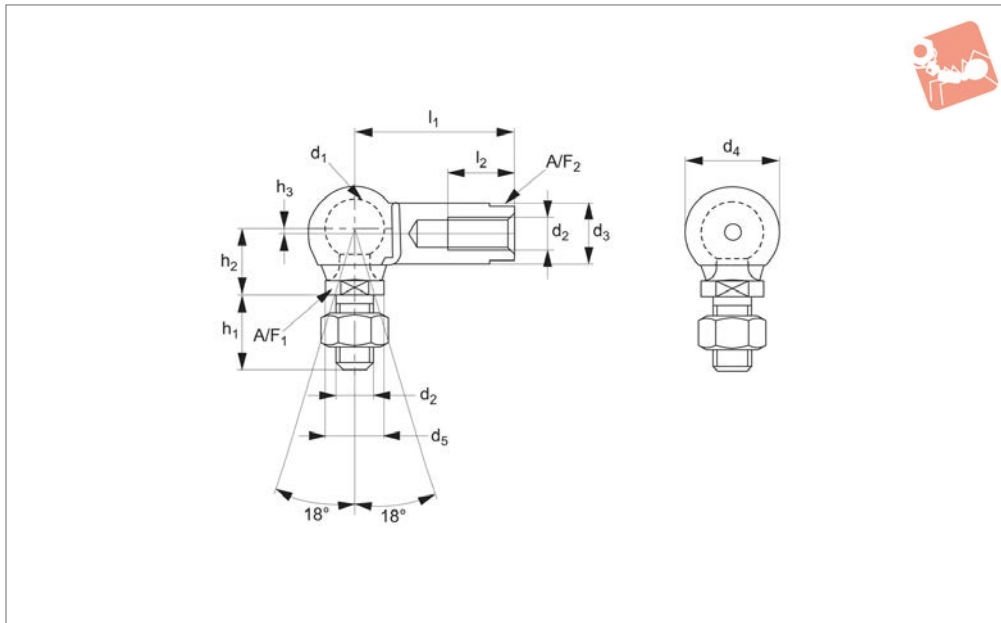
Order No.	Thread hand	d ₁	l ₁ ±0.3	d ₂	d ₃	d ₄	h ₁ ±0.3	Weight g
65506.W0005	Left	8	22	M 5	8	12.8	10.2	15.2
65506.W0006	Left	10	25	M 6	10	14.8	12.5	25.2
65506.W0008	Left	13	30	M 8	13	19.3	16.5	53.1
65506.W0010	Left	16	35	M10	16	24.0	20.0	103.8
65506.W0012	Left	16	35	M12	16	24.0	20.0	103.8
65506.W0014	Left	19	45	M14x1,5*	22	30.0	28.0	220.9
65506.W0015	Left	19	45	M14	22	30.0	28.0	220.9
65506.W0016	Left	19	45	M16	22	30.0	28.0	220.9

Order No.	h ₂ ±0.3	l ₂ min.	A/F tol. h14	Extraction force kg min.	Static load kg max.	Dyn. load C kg max.	Force required for movement kg max.
65506.W0005	9	10.2	7	3	50	20	3
65506.W0006	11	11.5	8	4	100	40	4
65506.W0008	13	14.0	11	6	200	80	6
65506.W0010	16	15.5	13	8	400	160	8
65506.W0012	16	15.5	13	8	400	160	8
65506.W0014	22	21.5	16	10	800	320	10
65506.W0015	22	21.5	16	10	800	320	10
65506.W0016	22	21.5	16	10	800	320	10



Stainless Ball and Socket Joint with flats on housing

Ball and Socket Joints



65512

BALL AND SOCKET JOINTS

Material

Stainless steel (A2, AISI 303), sealing cap: neoprene.

Technical Notes

To DIN 71802 form CS, supplied with hexagon nut.

Safety ring aids the retention of the ball

stud in the housing.

*M14x1,5 is a fine pitch thread.

Tips

Standard thread is right hand, (for left hand thread see 65514).

Important Notes

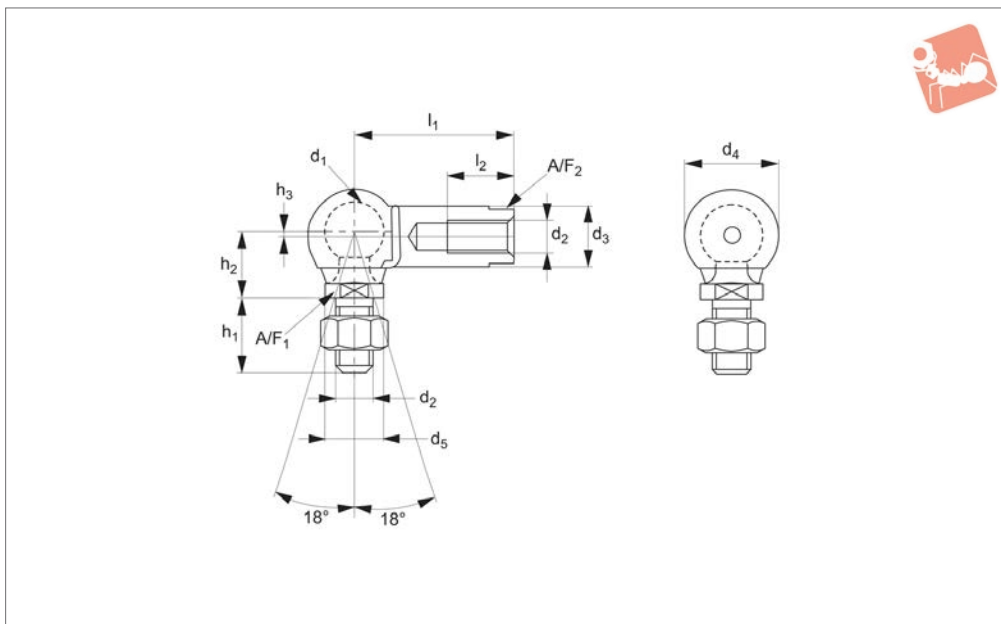
Thread is not full length. There is a min 1.5mm unthreaded shank. If using part without the supplied nut, then please consider a counterbore to accommodate the unthreaded shank.

Order No.	Thread hand	d ₁	l ₁ ±0.3	d ₂	d ₃ ±0.5	d ₄ ±0.5	d ₅ ±0.5	h ₁ ±0.3	h ₂ ±0.3	h ₃	Weight g
65512.W0105	Right	8	22	M5	8	12.8	8	10.0	9	0.65	15.2
65512.W0106	Right	10	25	M6	10	14.8	10	12.5	11	0.70	25.2
65512.W0108	Right	13	30	M8	13	19.3	13	16.5	13	1.15	53.1
65512.W0110	Right	16	35	M10	16	24.0	16	20.0	16	1.15	103.8
65512.W0112	Right	16	35	M12	16	24.0	16	20.0	16	1.15	103.8
65512.W0114	Right	19	45	M14x1,5*	22	30.0	22	28.0	20	0.50	220.9
65512.W0115	Right	19	45	M14	22	30.0	22	28.0	20	0.50	220.9
65512.W0116	Right	19	45	M16	22	30.0	22	28.0	20	0.50	220.9

Order No.	l ₂ min.	A/F ₁	A/F ₂	Extraction force kg min.	Static load kg max.	Dyn. load C kg max.	Force required for movement kg max.
65512.W0105	10.2	7	-	3	50	20	3
65512.W0106	11.5	8	-	4	100	40	4
65512.W0108	14.0	11	-	6	200	80	6
65512.W0110	15.5	13	-	8	400	160	8
65512.W0112	15.5	13	-	8	400	160	8
65512.W0114	21.5	16	19	10	800	320	10
65512.W0115	21.5	16	19	10	800	320	10
65512.W0116	21.5	16	19	10	800	320	10



65514



Material

Stainless steel (A2, AISI 303), sealing cap: neoprene.

Technical Notes

To DIN 71802 form CS, supplied with hexagon nut.

Safety ring aids the retention of the ball stud in the housing.

*M14x1,5 is a fine pitch thread.

Tips

Stud: right hand thread.

Housing: left hand thread

Important Notes

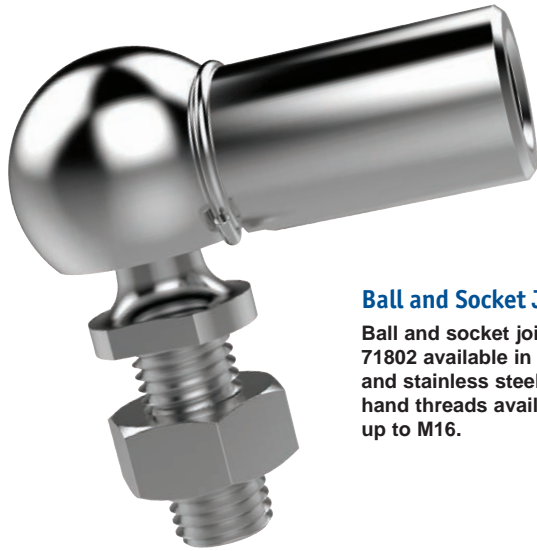
Thread is not full length. There is a min 1.5mm unthreaded shank. If using part without the supplied nut, then please consider a counterbore to accommodate the unthreaded shank.

Order No.	Thread hand	d ₁	l ₁ ±0.3	d ₂	d ₃ ±0.5	d ₄ ±0.5	d ₅ ±0.5	h ₁ ±0.3	h ₂ ±0.3	h ₃	Weight g
65514.W0005	Left	8	22	M5	8	12.8	8	10.0	9	0.65	15.2
65514.W0006	Left	10	25	M6	10	14.8	10	12.5	11	0.70	25.2
65514.W0008	Left	13	30	M8	13	19.3	13	16.5	13	1.15	53.1
65514.W0010	Left	16	35	M10	16	24.0	16	20.0	16	1.15	103.8
65514.W0012	Left	16	35	M12	16	24.0	16	20.0	16	1.15	103.8
65514.W0014	Left	19	45	M14x1,5*	22	30.0	22	28.0	20	0.50	220.9
65514.W0015	Left	19	45	M14	22	30.0	22	28.0	20	0.50	220.9
65514.W0016	Left	19	45	M16	22	30.0	22	28.0	20	0.50	220.9

Order No.	l ₂ min.	A/F ₁	A/F ₂	Extraction force kg min.	Static load kg max.	Dyn. load C kg max.	Force required for movement kg max.
65514.W0005	10.2	7	-	3	50	20	3
65514.W0006	11.5	8	-	4	100	40	4
65514.W0008	14.0	11	-	6	200	80	6
65514.W0010	15.5	13	-	8	400	160	8
65514.W0012	15.5	13	-	8	400	160	8
65514.W0014	21.5	16	19	10	800	320	10
65514.W0015	21.5	16	19	10	800	320	10
65514.W0016	21.5	16	19	10	800	320	10



Parts overview



Ball and Socket Joints

Ball and socket joints to DIN 71802 available in zinc plated steel and stainless steel. Right and left hand threads available. Sizes M5 up to M16.



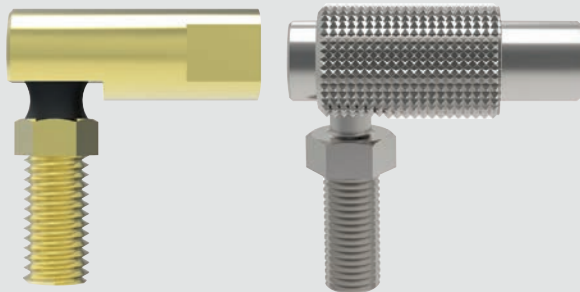
Axial Ball and Socket Joints

In-line ball and socket joints to DIN 71802 available in zinc plated steel and stainless steel. Sizes M5 up to M14 x 1,5.



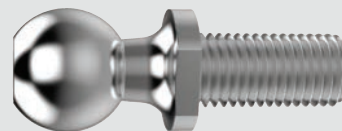
Ball and Socket Joints with sealing caps and spanner flats

Ball and socket joints to DIN 71802 available in zinc plated steel and stainless steel. Right and left hand threads available. Spanner flats on housing to aid installation. Sizes M5 up to M16.



Quick Release plus other ball and socket joints

Quick release ball joints allow rapid release and reconnection of ball stud for easy installation. DMG6 and male:male ball joints and lockable also available. Sizes M5 up to M10.



Threaded Ball Studs

Threaded ball studs to DIN71803 form C available in zinc plated steel. Sizes M5 up to M14.

see our website for our full range:
wixroyd.com