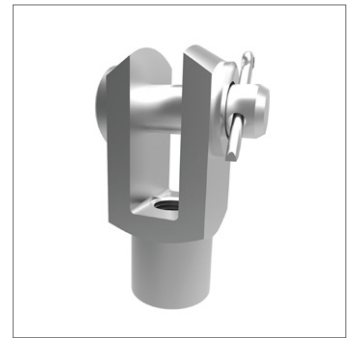
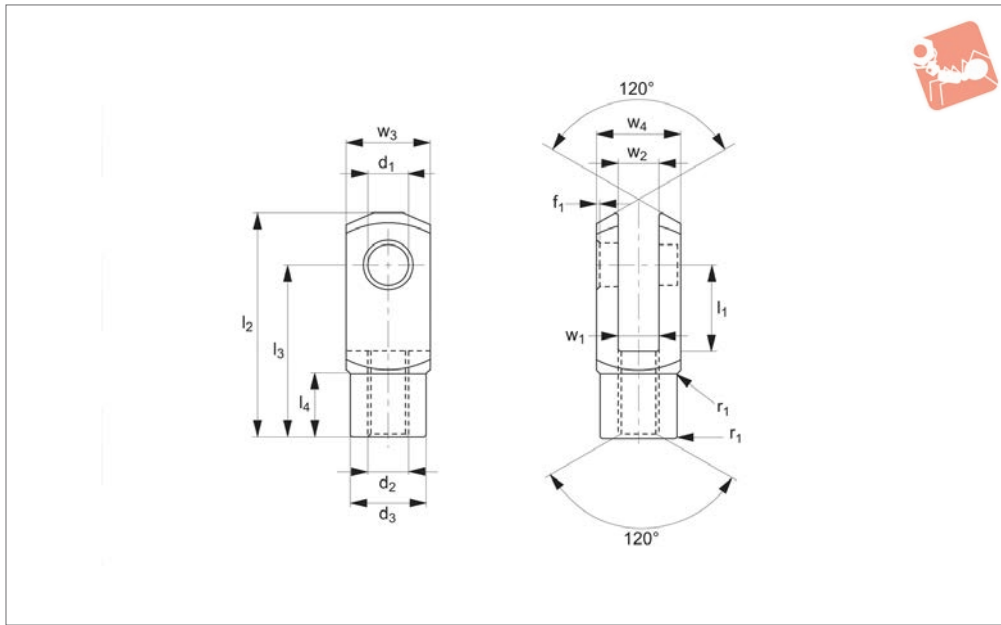




Steel Clevis Joint with Pin

silver zinc plated

Clevis Joints



65600

CLEVIS JOINTS

Material

Steel 1.0718 (11SMnPb30k), silver zinc plated.

Technical Notes

M5-M16: DIN 71 752/DIN ISO 8140.
M18-M48: Similar to DIN 71 752/DIN ISO 8140 and according to CETOP standard.

Tips

Standard thread is right hand, (for left hand, see 65602).
Assembly is made up using 65630 clevis

joint, 65660 clevis pin, P0330 washer, and 65674 split cotter pin.

Important Notes

For sizes M4-M12, f_1 and $r_1 = 0,5$, for sizes M14-M16, f_1 and $r_1 = 1$
For sizes M18-M20, $f_1 = 1$, $r_1 = 1,5$, for M24 f_1 and $r_1 = 1,5$, for sizes M27-M30, $f_1 = 1,5$, $r_1 = 2$
For M36 $f_1 = 2$, $r_1 = 3$, for sizes M42-M48, $f_1 = 3$, $r_1 = 5$, for r_1 , radius or 45° bevelling.
Other Tolerances:-

w_4 : M4-M16 = +0,3 -0,16
M18-M48 = +0,5 -0,2
 w_2 : size 4x8-10x20 = B13
All others +0,7 +0,15
 d_3 : M4-M16 = ±0,3
 l_2 : size 4x8-6x12 = ±0,3
All others ±0,4
 l_3 : M4-M16 = ±0,2
M18-M48 = ±0,3
 r_1 : M18-M48 = ±0,5

Order No.	Size	Thread hand	Thread type	d_1 tol. H9	l_1 ±0.5	d_2	d_3	l_2 ±0.5	l_3	l_4	w_1 tol. B13	w_2	w_3 tol. h11	w_4	Weight g
65600.W0051	5x10	Right	Coarse	5	10	M5	9	26	20	7.5	5	5	10	10	9
65600.W0052	5x20	Right	Coarse	5	20	M5	9	36	30	7.5	5	5	10	10	13
65600.W0061	6x12	Right	Coarse	6	12	M6	10	31	24	9.0	6	6	12	12	15
65600.W0062	6x24	Right	Coarse	6	24	M6	10	43	36	9.0	6	6	12	12	21
65600.W0081	8x16	Right	Coarse	8	16	M8	14	42	32	12.0	8	8	16	16	37
65600.W0082	8x16	Right	Fine	8	16	M8x1	14	42	32	12.0	8	8	16	16	37
65600.W0083	8x32	Right	Coarse	8	32	M8	14	58	48	12.0	8	8	16	16	54
65600.W0084	8x32	Right	Fine	8	32	M8x1	14	58	48	12.0	8	8	16	16	54
65600.W0102	10x20	Right	Coarse	10	20	M10	18	52	40	15.0	10	10	20	20	74
65600.W0103	10x20	Right	Fine	10	20	M10x1,25	18	52	40	15.0	10	10	20	20	74
65600.W0104	10x40	Right	Coarse	10	40	M10	18	72	60	15.0	10	10	20	20	116
65600.W0105	10x40	Right	Fine	10	40	M10x1,25	18	72	60	15.0	10	10	20	20	116
65600.W0122	12x24	Right	Coarse	12	24	M12	20	62	48	18.0	12	12	24	24	121
65600.W0123	12x24	Right	Fine	12	24	M12x1,25	20	62	48	18.0	12	12	24	24	121
65600.W0124	12x48	Right	Coarse	12	48	M12	20	86	72	18.0	12	12	24	24	175
65600.W0125	12x48	Right	Fine	12	48	M12x1,25	20	86	72	18.0	12	12	24	24	175
65600.W0142	14x28	Right	Coarse	14	28	M14	24	72	56	22.5	14	14	27	27	178
65600.W0143	14x28	Right	Fine	14	28	M14x1,5	24	72	56	22.5	14	14	27	27	178
65600.W0145	14x56	Right	Coarse	14	56	M14	24	101	85	22.5	14	14	27	27	258
65600.W0146	14x56	Right	Fine	14	56	M14x1,5	24	101	85	22.5	14	14	27	27	258
65600.W0163	16x32	Right	Coarse	16	32	M16	26	83	64	24.0	16	16	32	32	282
65600.W0164	16x32	Right	Fine	16	32	M16x1,5	26	83	64	24.0	16	16	32	32	282
65600.W0166	16x64	Right	Coarse	16	64	M16	26	115	96	24.0	16	16	32	32	411
65600.W0167	16x64	Right	Fine	16	64	M16x1,5	26	115	96	24.0	16	16	32	32	411
65600.W0183	18x36	Right	Coarse	18	36	M18	30	94	72	27.0	18	18	36	36	390



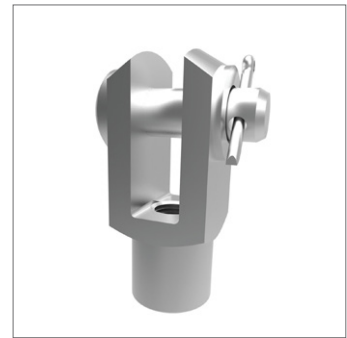
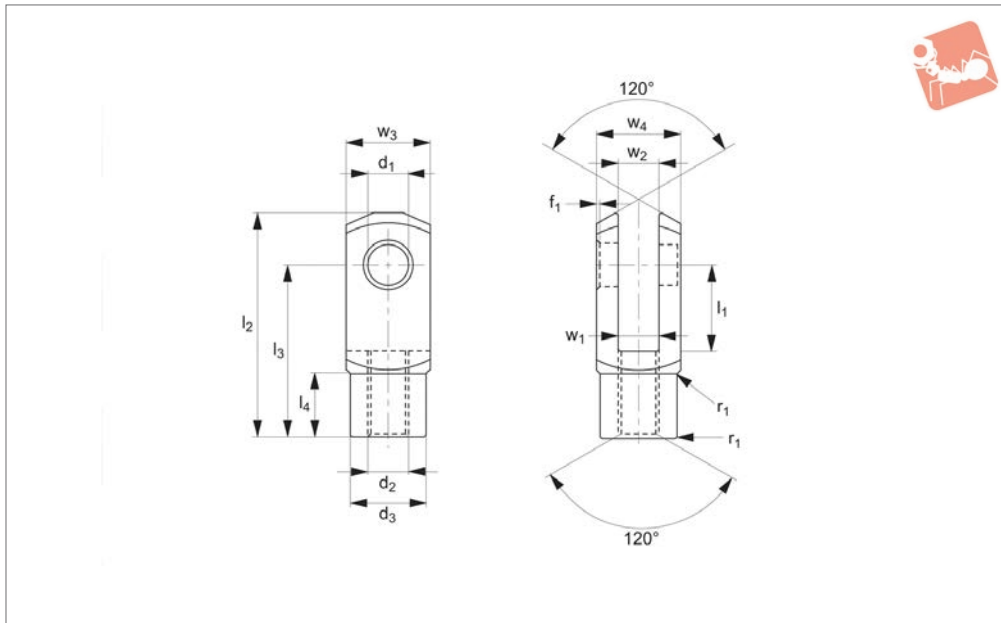
Order No.	Size	Thread hand	Thread type	d ₁ tol. H9	l ₁ ±0.5	d ₂	d ₃	l ₂ ±0.5	l ₃	l ₄	w ₁ tol. B13	w ₂	w ₃ tol. h11	w ₄	Weight g
65600.W0184	18x36	Right	Fine	18	36	M18x1,5	30	94	72	27.0	18	18	36	36	390
65600.W0204	20x40	Right	Coarse	20	40	M20	34	105	80	30.0	20	20	40	40	550
65600.W0205	20x40	Right	Fine	20	40	M20x1,5	34	105	80	30.0	20	20	40	40	550
65600.W0208	20x80	Right	Coarse	20	80	M20	34	145	120	30.0	20	20	40	40	800
65600.W0209	20x80	Right	Fine	20	80	M20x1,5	34	145	120	30.0	20	20	40	40	800
65600.W0255	25x50	Right	Coarse	25	50	M24	42	132	100	36.0	25	25	50	50	1100
65600.W0256	25x50	Right	Fine	25	50	M24x2	42	132	100	36.0	25	25	50	50	1100
65600.W0285	28x56	Right	Coarse	28	56	M27	48	148	112	40.0	28	28	55	55	1500
65600.W0286	28x56	Right	Fine	28	56	M27x2	48	148	112	40.0	28	28	55	55	1500
65600.W0305	30x54	Right	Fine	30	54	M27x2	48	148	110	40.0	30	30	55	55	1440
65600.W0306	30x60	Right	Coarse	30	60	M30	52	160	120	42.0	30	30	60	60	1970
65600.W0307	30x60	Right	Fine	30	60	M30x2	52	160	120	42.0	30	30	60	60	1970
65600.W0355	35x54	Right	Fine	35	54	M36x2	60	188	144	54.0	35	35	70	70	2930
65600.W0357	35x72	Right	Coarse	35	72	M36	60	188	144	54.0	35	35	70	70	2930
65600.W0358	35x72	Right	Fine	35	72	M36x2	60	188	144	54.0	35	35	70	70	2930
65600.W0367	36x72	Right	Coarse	35	72	M36	60	188	144	54.0	36	36	70	70	2930
65600.W0368	36x72	Right	Fine	35	72	M36x2	60	188	144	54.0	36	36	70	70	2930
65600.W0408	40x84	Right	Fine	40	84	M42x2	70	232	168	63.5	40	40	85	85	5640
65600.W0428	42x84	Right	Coarse	42	84	M42	70	232	168	63.5	42	42	85	85	5340
65600.W0429	42x84	Right	Fine	42	84	M42x2	70	232	168	63.5	42	42	85	85	5340
65600.W0509	50x96	Right	Coarse	50	96	M48	82	265	192	73.0	50	50	96	96	7860
65600.W0510	50x96	Right	Fine	50	96	M48x2	82	265	192	73.0	50	50	96	96	7860



Steel Clevis Joints with Pin

left hand thread - silver zinc plated

Clevis Joints



65602

CLEVIS JOINTS

Material

Steel 1.0718 (11SMnPb30k), silver zinc plated.

Technical Notes

M5-M16: DIN 71 752/DIN ISO 8140.
M18-M48: Similar to DIN 71 752/DIN ISO 8140 and according to CETOP standard.

Tips

Assembly is made up using the 65631 clevis joint, 65660 clevis pin, P0330

washer, and 65674 split cotter pin.

Important Notes

For sizes M4-M12, f_1 and $r_1 = 0,5$, for sizes M14-M16, f_1 and $r_1 = 1$
For sizes M18-M20, $f_1 = 1$, $r_1 = 1,5$, for M24 f_1 and $r_1 = 1,5$, for sizes M27-M30, $f_1 = 1,5$, $r_1 = 2$
For M36 $f_1 = 2$, $r_1 = 3$, for sizes M42-M48, $f_1 = 3$, $r_1 = 5$, for r_1 , radius or 45° bevelling.

Other Tolerances:-

w_4 : M4-M16 = +0,3 -0,16
M18-M48 = +0,5 -0,2
 w_2 : size 4x8-10x20 = B13
All others +0,7 +0,15
 d_3 : M4-M16 = ±0,3
 l_2 : size 4x8-6x12 = ±0,3
All others ±0,4
 l_3 : M4-M16 = ±0,2
M18-M48 = ±0,3
 r_1 : M18-M48 = ±0,5

Order No.	Size	Thread hand	Thread type	d_1 tol. H9	l_1 ±0.5	d_2	d_3	l_2 ±0.5	l_3	l_4	w_1 tol. B13	w_2	w_3 tol. h11	w_4	Weight g
65602.W0051	5x10	Left	Coarse	5	10	M5	9	26	20	7.5	5	5	10	10	9
65602.W0052	5x20	Left	Coarse	5	20	M5	9	36	30	7.5	5	5	10	10	13
65602.W0061	6x12	Left	Coarse	6	12	M6	10	31	24	9.0	6	6	12	12	15
65602.W0062	6x24	Left	Coarse	6	24	M6	10	43	36	9.0	6	6	12	12	21
65602.W0081	8x16	Left	Coarse	8	16	M8	14	42	32	12.0	8	8	16	16	37
65602.W0082	8x16	Left	Fine	8	16	M8x1	14	42	32	12.0	8	8	16	16	37
65602.W0083	8x32	Left	Coarse	8	32	M8	14	58	48	12.0	8	8	16	16	54
65602.W0084	8x32	Left	Fine	8	32	M8x1	14	58	48	12.0	8	8	16	16	54
65602.W0102	10x20	Left	Coarse	10	20	M10	18	52	40	15.0	10	10	20	20	74
65602.W0103	10x20	Left	Fine	10	20	M10x1,25	18	52	40	15.0	10	10	20	20	74
65602.W0104	10x40	Left	Coarse	10	40	M10	18	72	60	15.0	10	10	20	20	116
65602.W0105	10x40	Left	Fine	10	40	M10x1,25	18	72	60	15.0	10	10	20	20	116
65602.W0122	12x24	Left	Coarse	12	24	M12	20	62	48	18.0	12	12	24	24	121
65602.W0123	12x24	Left	Fine	12	24	M12x1,25	20	62	48	18.0	12	12	24	24	121
65602.W0124	12x48	Left	Coarse	12	48	M12	20	86	72	18.0	12	12	24	24	175
65602.W0125	12x48	Left	Fine	12	48	M12x1,25	20	86	72	18.0	12	12	24	24	175
65602.W0142	14x28	Left	Coarse	14	28	M14	24	72	56	22.5	14	14	27	27	178
65602.W0143	14x28	Left	Fine	14	28	M14x1,5	24	72	56	22.5	14	14	27	27	178
65602.W0145	14x56	Left	Coarse	14	56	M14	24	101	85	22.5	14	14	27	27	258
65602.W0146	14x56	Left	Fine	14	56	M14x1,5	24	101	85	22.5	14	4	27	27	258
65602.W0163	16x32	Left	Coarse	16	32	M16	26	83	64	24.0	16	16	32	32	282
65602.W0164	16x32	Left	Fine	16	32	M16x1,5	26	83	64	24.0	16	16	32	32	282
65602.W0166	16x64	Left	Coarse	16	64	M16	26	115	96	24.0	16	16	32	32	411
65602.W0167	16x64	Left	Fine	16	64	M16x1,5	26	115	96	24.0	16	16	32	32	411
65602.W0183	18x36	Left	Coarse	18	36	M18	30	94	72	27.0	18	18	36	36	390
65602.W0184	18x36	Left	Fine	18	36	M18x1,5	30	94	72	27.0	18	18	36	36	390



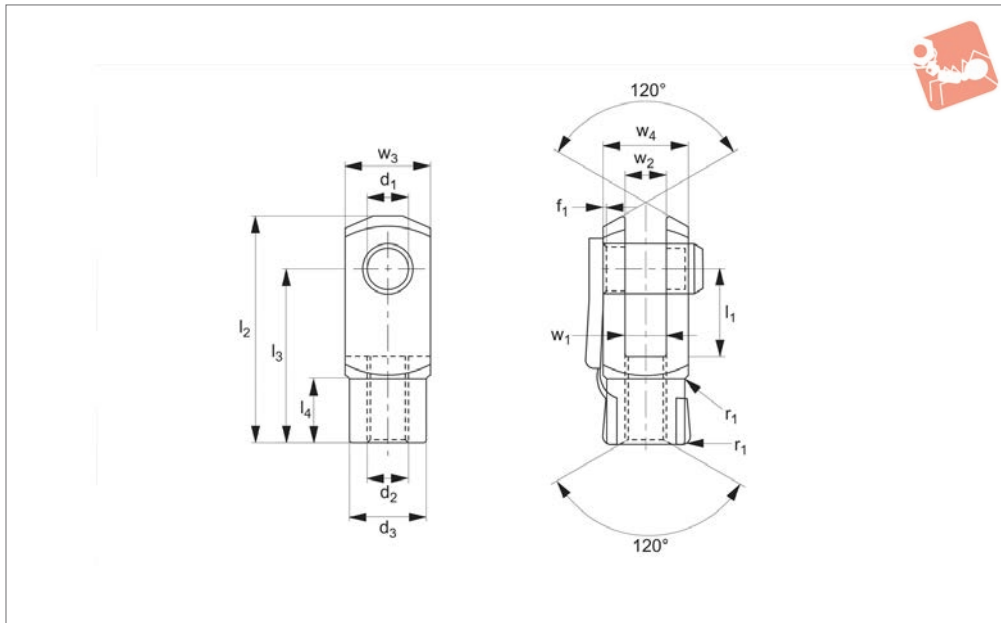
Order No.	Size	Thread hand	Thread type	d ₁ tol. H9	l ₁ ±0.5	d ₂	d ₃	l ₂ ±0.5	l ₃	l ₄	w ₁ tol. B13	w ₂	w ₃ tol. h11	w ₄	Weight g
65602.W0204	20x40	Left	Coarse	20	40	M20	34	105	80	30.0	20	20	40	40	550
65602.W0205	20x40	Left	Fine	20	40	M20x1,5	34	105	80	30.0	20	20	40	40	550
65602.W0208	20x80	Left	Coarse	20	80	M20	34	145	120	30.0	20	20	40	40	800
65602.W0209	20x80	Left	Fine	20	80	M20x1,5	34	145	120	30.0	20	20	40	40	800
65602.W0255	25x50	Left	Coarse	25	50	M24	42	132	100	36.0	25	25	50	50	1100
65602.W0256	25x50	Left	Fine	25	50	M24x2	42	132	100	36.0	25	25	50	50	1100
65602.W0285	28x56	Left	Coarse	28	56	M27	48	148	112	40.0	28	28	55	55	1500
65602.W0286	28x56	Left	Fine	28	56	M27x2	48	148	112	40.0	28	28	55	55	1500
65602.W0305	30x54	Left	Fine	30	54	M27x2	48	148	110	40.0	30	30	55	55	1440
65602.W0306	30x60	Left	Coarse	30	60	M30	52	160	120	42.0	30	30	60	60	1970
65602.W0307	30x60	Left	Fine	30	60	M30x2	52	160	120	42.0	30	30	60	60	1970
65602.W0355	35x54	Left	Fine	35	54	M36x2	60	188	144	54.0	35	35	70	70	2930
65602.W0357	35x72	Left	Course	35	72	M36	60	188	144	54.0	35	35	70	70	2930
65602.W0358	35x72	Left	Fine	35	72	M36x2	60	188	144	54.0	35	35	70	70	2930
65602.W0367	36x72	Left	Course	35	72	M36	60	188	144	54.0	36	36	70	70	2930
65602.W0368	36x72	Left	Fine	35	72	M36x2	60	188	144	54.0	36	36	70	70	2930
65602.W0408	40x84	Left	Fine	40	84	M42x2	70	232	168	63.5	40	40	85	85	5640
65602.W0428	42x84	Left	Coarse	42	84	M42	70	232	168	63.5	42	42	85	85	5340
65602.W0429	42x84	Left	Fine	42	84	M42x2	70	232	168	63.5	42	42	85	85	5340
65602.W0509	50x96	Left	Coarse	50	96	M48	82	265	192	73.0	50	50	96	96	7860
65602.W0510	50x96	Left	Fine	50	96	M48x2	82	265	192	73.0	50	50	96	96	7860



Steel Clevis Joints with Retention

silver zinc plated

Clevis Joints



65618

CLEVIS JOINTS

Material

Steel 1.0718 (11SMnPb30k), silver zinc plated.

Technical Notes

M4-M16: DIN 71 752/DIN ISO 8140.
M20: Similar to DIN 71 752/DIN ISO 8140 and according to CETOP standard.

Tips

For yellow zinc plated version see R3398, standard thread is right hand, (for left hand, see 65620).

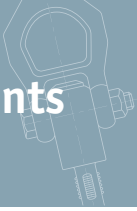
Assembly made up using 65630 clevis joint and 65684 clevis retention clip.

Important Notes

For sizes M4-M12, f_1 and $r_1 = 0,5$, for sizes M14-M16, f_1 and $r_1 = 1$
For sizes M18-M20, $f_1 = 1$, $r_1 = 1,5$, for M24 f_1 and $r_1 = 1,5$, for sizes M27-M30, $f_1 = 1,5$, $r_1 = 2$
For M36 $f_1 = 2$, $r_1 = 3$, for sizes M42-M48, $f_1 = 3$, $r_1 = 5$, for r_1 , radius or 45° bevelling.
Other Tolerances:-

w_4 : M4-M16 = +0,3 -0,16
M18-M48 = +0,5 -0,2
 w_2 : size 4x8-10x20 = B13
All others +0,7 +0,15
 d_3 : M4-M16 = ±0,3
 l_2 : size 4x8-6x12 = ±0,3
All others ±0,4
 l_3 : M4-M16 = ±0,2
M18-M48 = ±0,3
 r_1 : M18-M48 = ±0,5

Order No.	Size	Thread hand	Thread type	d_1 tol. H9	l_1 ±0.5	d_2	d_3	l_2 ±0.5	l_3	l_4	w_1 tol. B13	w_2	w_3 tol. h11	w_4	Weight g
65618.W0040	4x8	Right	Coarse	4	8	M4	8	21	16	6.0	4	4	8	8	5
65618.W0051	5x10	Right	Coarse	5	10	M5	9	26	20	7.5	5	5	10	10	9
65618.W0052	5x20	Right	Coarse	5	20	M5	9	36	30	7.5	5	5	10	10	13
65618.W0061	6x12	Right	Coarse	6	12	M6	10	31	24	9.0	6	6	12	12	15
65618.W0062	6x24	Right	Coarse	6	24	M6	10	43	36	9.0	6	6	12	12	21
65618.W0081	8x16	Right	Coarse	8	16	M8	14	42	32	12.0	8	8	16	16	37
65618.W0082	8x16	Right	Fine	8	16	M8x1	14	42	32	12.0	8	8	16	16	37
65618.W0083	8x32	Right	Coarse	8	32	M8	14	58	48	12.0	8	8	16	16	54
65618.W0084	8x32	Right	Fine	8	32	M8x1	14	58	48	12.0	8	8	16	16	54
65618.W0102	10x20	Right	Coarse	10	20	M10	18	52	40	15.0	10	10	20	20	74
65618.W0103	10x20	Right	Fine	10	20	M10x1,25	18	52	40	15.0	10	10	20	20	74
65618.W0104	10x40	Right	Coarse	10	40	M10	18	72	60	15.0	10	10	20	20	116
65618.W0105	10x40	Right	Fine	10	40	M10x1,25	18	72	60	15.0	10	10	20	20	116
65618.W0122	12x24	Right	Coarse	12	24	M12	20	62	48	18.0	12	12	24	24	121
65618.W0123	12x24	Right	Fine	12	24	M12x1,25	20	62	48	18.0	12	12	24	24	121
65618.W0124	12x48	Right	Coarse	12	48	M12	20	86	72	18.0	12	12	24	24	175
65618.W0125	12x48	Right	Fine	12	48	M12x1,25	20	86	72	18.0	12	12	24	24	175
65618.W0142	14x28	Right	Coarse	14	28	M14	24	72	56	22.5	14	14	27	27	178
65618.W0143	14x28	Right	Fine	14	28	M14x1,5	24	72	56	22.5	14	14	27	27	178
65618.W0145	14x56	Right	Coarse	14	56	M14	24	101	85	22.5	14	14	27	27	258
65618.W0146	14x56	Right	Fine	14	56	M14x1,5	24	101	85	22.5	14	14	27	27	258
65618.W0163	16x32	Right	Coarse	16	32	M16	26	83	64	24.0	16	16	32	32	282
65618.W0164	16x32	Right	Fine	16	32	M16x1,5	26	83	64	24.0	16	16	32	32	282
65618.W0166	16x64	Right	Coarse	16	64	M16	26	115	96	24.0	16	16	32	32	411
65618.W0167	16x64	Right	Fine	16	64	M16x1,5	26	115	96	24.0	16	16	32	32	411



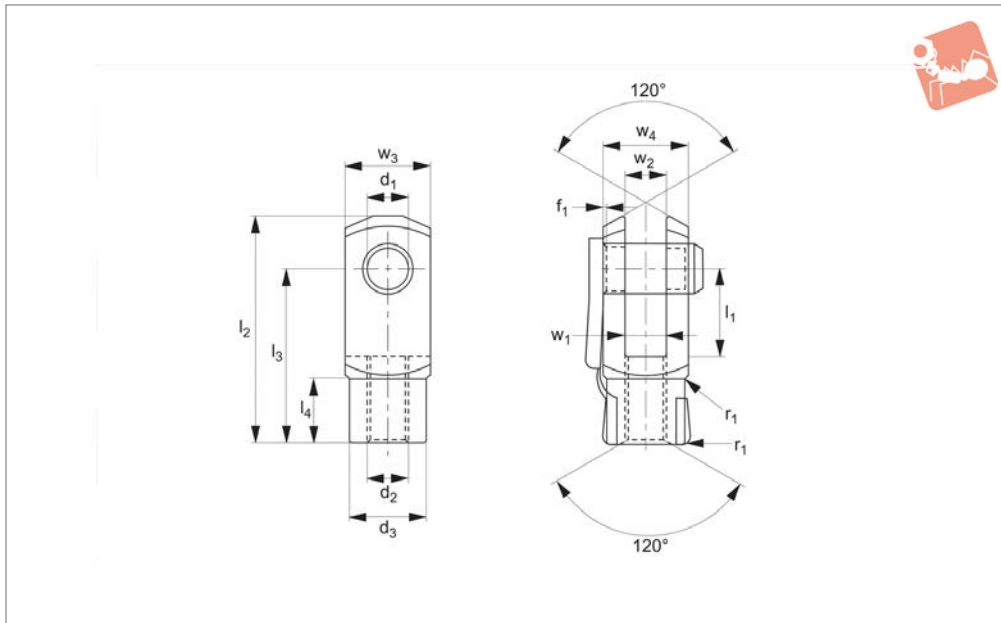
Order No.	Size	Thread hand	Thread type	d ₁ tol. H9	l ₁ ±0.5	d ₂	d ₃	l ₂ ±0.5	l ₃	l ₄	w ₁ tol. B13	w ₂	w ₃ tol. h11	w ₄	Weight g
65618.W0204	20x40	Right	Coarse	20	40	M20	34	105	80	30.0	20	20	40	40	550
65618.W0205	20x40	Right	Fine	20	40	M20x1,5	34	105	80	30.0	20	20	40	40	550



Steel Clevis Joints with Retention

left hand thread - silver zinc plated

Clevis Joints



65620

CLEVIS JOINTS

Material

Steel 1.0718 (11SMnPb30k), silver zinc plated.

Technical Notes

M4-M16: DIN 71 752/DIN ISO 8140.

M20: Similar to DIN 71 752/DIN ISO 8140 and according to CETOP standard.

Tips

For yellow zinc plated version see R3399, assembly made up using 65631 clevis joint

and 65684 clevis retention clip.

Important Notes

For sizes M4-M12, f_1 and $r_1=0,5$

For sizes M4-M16, f_1 and $r_1=1$

For sizes M20, $f_1=1, r_1=1,5$

For r_1 , radius or 45° beveling.

Other Tolerances:-

w_4 : M4-M16 = +0,3 -0,16

M20 = +0,5 -0,2

w_2 : size 4x8-10x20 = B13

All others +0,7 +0,15

d_3 : M4-M16 = ±0,3

l_2 : size 4x8-6x12 = ±0,3

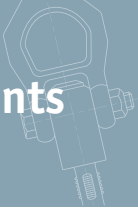
All others ±0,4

l_3 : M4-M16 = ±0,2

M20 = ±0,3

r_1 : M20 = ±0,5

Order No.	Size	Thread hand	Thread type	d_1 tol. H9	l_1 ±0.5	d_2	d_3	l_2 ±0.5	l_3	l_4	w_1 tol. B13	w_2	w_3 tol. h11	w_4	Weight g
65620.W0040	4x8	Left	Coarse	4	8	M4	8	21	16	6.0	4	4	8	8	5
65620.W0051	5x10	Left	Coarse	5	10	M5	9	26	20	7.5	5	5	10	10	9
65620.W0052	5x20	Left	Coarse	5	20	M5	9	36	30	7.5	5	5	10	10	13
65620.W0061	6x12	Left	Coarse	6	12	M6	10	31	24	9.0	6	6	12	12	15
65620.W0062	6x24	Left	Coarse	6	24	M6	10	43	36	9.0	6	6	12	12	21
65620.W0081	8x16	Left	Coarse	8	16	M8	14	42	32	12.0	8	8	16	16	37
65620.W0082	8x16	Left	Fine	8	16	M8x1	14	42	32	12.0	8	8	16	16	37
65620.W0083	8x32	Left	Coarse	8	32	M8	14	58	48	12.0	8	8	16	16	54
65620.W0084	8x32	Left	Fine	8	32	M8x1	14	58	48	12.0	8	8	16	16	54
65620.W0102	10x20	Left	Coarse	10	20	M10	18	52	40	15.0	10	10	20	20	74
65620.W0103	10x20	Left	Fine	10	20	M10x1,25	18	52	40	15.0	10	10	20	20	74
65620.W0104	10x40	Left	Coarse	10	40	M10	18	72	60	15.0	10	10	20	20	116
65620.W0105	10x40	Left	Fine	10	40	M10x1,25	18	72	60	15.0	10	10	20	20	116
65620.W0122	12x24	Left	Coarse	12	24	M12	20	62	48	18.0	12	12	24	24	121
65620.W0123	12x24	Left	Fine	12	24	M12x1,25	20	62	48	18.0	12	12	24	24	121
65620.W0124	12x48	Left	Coarse	12	48	M12	20	86	72	18.0	12	12	24	24	175
65620.W0125	12x48	Left	Fine	12	48	M12x1,25	20	86	72	18.0	12	12	24	24	175
65620.W0142	14x28	Left	Coarse	14	28	M14	24	72	56	22.5	14	14	27	27	178
65620.W0143	14x28	Left	Fine	14	28	M14x1,5	24	72	56	22.5	14	14	27	27	178
65620.W0145	14x56	Left	Coarse	14	56	M14	24	101	85	22.5	14	14	27	27	258
65620.W0146	14x56	Left	Fine	14	56	M14x1,5	24	101	85	22.5	14	14	27	27	258
65620.W0163	16x32	Left	Coarse	16	32	M16	26	83	64	24.0	16	16	32	32	282
65620.W0164	16x32	Left	Fine	16	32	M16x1,5	26	83	64	24.0	16	16	32	32	282
65620.W0166	16x64	Left	Coarse	16	64	M16	26	115	96	24.0	16	16	32	32	411
65620.W0167	16x64	Left	Fine	16	64	M16x1,5	26	115	96	24.0	16	16	32	32	411
65620.W0204	20x40	Left	Coarse	20	40	M20	34	105	80	30.0	20	20	40	40	550



Steel Clevis Joints with Retention

left hand thread - silver zinc plated



Order No.	Size	Thread hand	Thread type	d_1 tol. H9	l_1 ± 0.5	d_2	d_3	l_2 ± 0.5	l_3	l_4	w_1 tol. B13	w_2	w_3 tol. h11	w_4	Weight g
65620.W0205	20x40	Left	Fine	20	40	M20x1,5	34	105	80	30.0	20	20	40	40	550

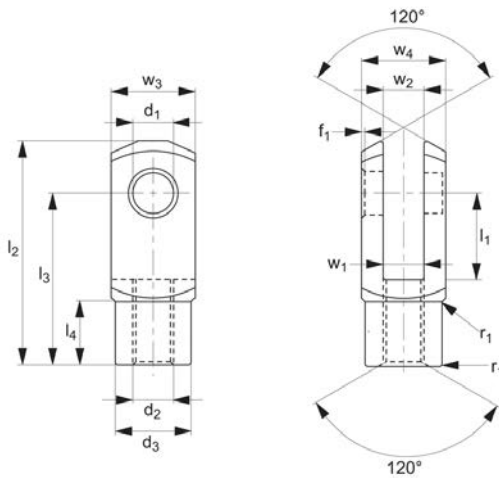
Steel Clevis Joints

silver zinc plated

Clevis Joints



65630



Material

Steel 1.0718 (11SMnPb30k), silver zinc plated.

Technical Notes

M4-M16: DIN 71 752/DIN ISO 8140.
M18-M48: Similar to DIN 71 752/DIN ISO 8140 and according to CETOP standard.

Tips

For yellow zinc plated version see R3393, standard thread is right hand, (for left

hand, see 65631).

Important Notes

For sizes M4-M12, f_1 and $r_1 = 0,5$, for sizes M14-M16, f_1 and $r_1 = 1$
For sizes M18-M20, $f_1 = 1$, $r_1 = 1,5$, for M24 f_1 and $r_1 = 1,5$, for sizes M27-M30, $f_1 = 1,5$, $r_1 = 2$
For M36 $f_1 = 2$, $r_1 = 3$, for sizes M42-M48, $f_1 = 3$, $r_1 = 5$, for r_1 , radius or 45° bevelling.
Other Tolerances:-

w_4 : M4-M16 = $+0,3 -0,16$
M18-M48 = $+0,5 -0,2$

w_2 : size 4x8-10x20 = B13
All others $+0,7 +0,15$

d_3 : M4-M16 = $\pm 0,3$

l_2 : size 4x8-6x12 = $\pm 0,3$
All others $\pm 0,4$

l_3 : M4-M16 = $\pm 0,2$

M18-M48 = $\pm 0,3$

r_1 : M18-M48 = $\pm 0,5$

Order No.	Size	Thread hand	Thread type	d_1 tol. H9	l_1 $\pm 0,5$	d_2	d_3	l_2 $\pm 0,5$	l_3	l_4	w_1 tol. B13	w_2	w_3 tol. h11	w_4	Weight g
65630.W0040	4x8	Right	Coarse	4	8	M4	8	21	16	6.0	4	4	8	8	5
65630.W0041	4x16	Right	Coarse	4	16	M4	8	29	24	6.0	4	4	8	8	7
65630.W0051	5x10	Right	Coarse	5	10	M5	9	26	20	7.5	5	5	10	10	9
65630.W0052	5x20	Right	Coarse	5	20	M5	9	36	30	7.5	5	5	10	10	13
65630.W0061	6x12	Right	Coarse	6	12	M6	10	31	24	9.0	6	6	12	12	15
65630.W0062	6x24	Right	Coarse	6	24	M6	10	43	36	9.0	6	6	12	12	21
65630.W0081	8x16	Right	Coarse	8	16	M8	14	42	32	12.0	8	8	16	16	37
65630.W0082	8x16	Right	Fine	8	16	M8x1	14	42	32	12.0	8	8	16	16	37
65630.W0083	8x32	Right	Coarse	8	32	M8	14	58	48	12.0	8	8	16	16	54
65630.W0084	8x32	Right	Fine	8	32	M8x1	14	58	48	12.0	8	8	16	16	54
65630.W0102	10x20	Right	Coarse	10	20	M10	18	52	40	15.0	10	10	20	20	74
65630.W0103	10x20	Right	Fine	10	20	M10x1,25	18	52	40	15.0	10	10	20	20	74
65630.W0104	10x40	Right	Coarse	10	40	M10	18	72	60	15.0	10	10	20	20	116
65630.W0105	10x40	Right	Fine	10	40	M10x1,25	18	72	60	15.0	10	10	20	20	116
65630.W0122	12x24	Right	Coarse	12	24	M12	20	62	48	18.0	12	12	24	24	121
65630.W0123	12x24	Right	Fine	12	24	M12x1,25	20	62	48	18.0	12	12	24	24	121
65630.W0124	12x48	Right	Coarse	12	48	M12	20	86	72	18.0	12	12	24	24	175
65630.W0125	12x48	Right	Fine	12	48	M12x1,25	20	86	72	18.0	12	12	24	24	175
65630.W0142	14x28	Right	Coarse	14	28	M14	24	72	56	22.5	14	14	27	27	178
65630.W0143	14x28	Right	Fine	14	28	M14x1,5	24	72	56	22.5	14	14	27	27	178
65630.W0145	14x56	Right	Coarse	14	56	M14	24	101	85	22.5	14	14	27	27	258
65630.W0146	14x56	Right	Fine	14	56	M14x1,5	24	101	85	22.5	14	14	27	27	258
65630.W0163	16x32	Right	Coarse	16	32	M16	26	83	64	24.0	16	16	32	32	282
65630.W0164	16x32	Right	Fine	16	32	M16x1,5	26	83	64	24.0	16	16	32	32	282
65630.W0166	16x64	Right	Coarse	16	64	M16	26	115	96	24.0	16	16	32	32	411
65630.W0167	16x64	Right	Fine	16	64	M16x1,5	26	115	96	24.0	16	16	32	32	411



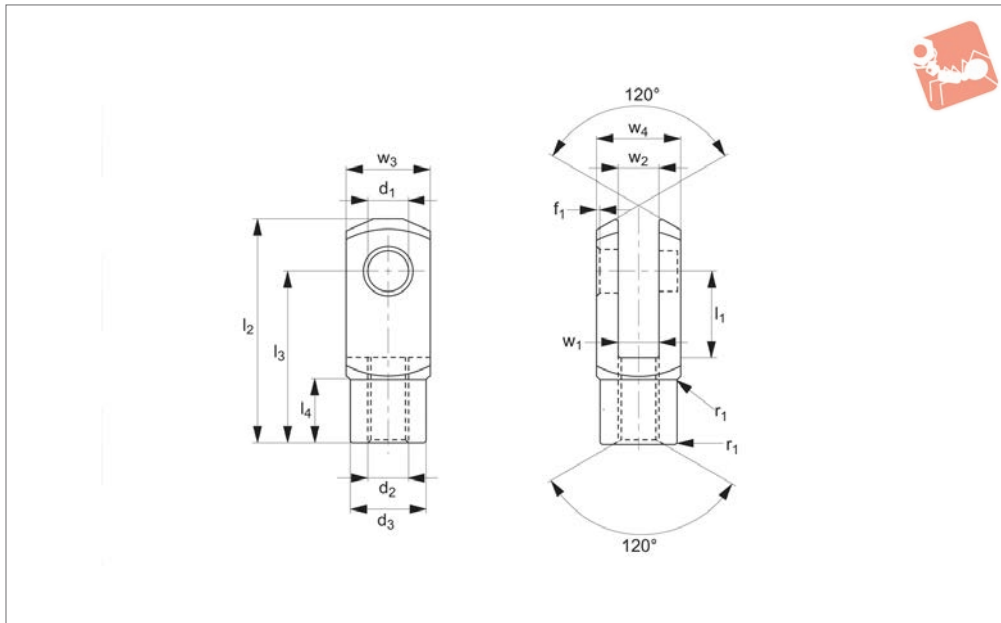
Order No.	Size	Thread hand	Thread type	d ₁ tol. H9	l ₁ ±0.5	d ₂	d ₃	l ₂ ±0.5	l ₃	l ₄	w ₁ tol. B13	w ₂	w ₃ tol. h11	w ₄	Weight g
65630.W0183	18x36	Right	Coarse	18	36	M18	30	94	72	27.0	18	18	36	36	390
65630.W0184	18x36	Right	Fine	18	36	M18x1,5	30	94	72	27.0	18	18	36	36	390
65630.W0204	20x40	Right	Coarse	20	40	M20	34	105	80	30.0	20	20	40	40	550
65630.W0205	20x40	Right	Fine	20	40	M20x1,5	34	105	80	30.0	20	20	40	40	550
65630.W0208	20x80	Right	Coarse	20	80	M20	34	145	120	30.0	20	20	40	40	800
65630.W0209	20x80	Right	Fine	20	80	M20x1,5	34	145	120	30.0	20	20	40	40	800
65630.W0255	25x50	Right	Coarse	25	50	M24	42	132	100	36.0	25	25	50	50	1100
65630.W0256	25x50	Right	Fine	25	50	M24x2	42	132	100	36.0	25	25	50	50	1100
65630.W0285	28x56	Right	Coarse	28	56	M27	48	148	112	40.0	28	28	55	55	1500
65630.W0286	28x56	Right	Fine	28	56	M27x2	48	148	112	40.0	28	28	55	55	1500
65630.W0305	30x54	Right	Fine	30	54	M27x2	48	148	110	40.0	30	30	55	55	1440
65630.W0306	30x60	Right	Coarse	30	60	M30	52	160	120	42.0	30	30	60	60	1970
65630.W0307	30x60	Right	Fine	30	60	M30x2	52	160	120	42.0	30	30	60	60	1970
65630.W0355	35x54	Right	Fine	35	54	M36x2	60	188	144	54.0	35	35	70	70	2930
65630.W0357	35x72	Right	Coarse	35	72	M36	60	188	144	54.0	35	35	70	70	2930
65630.W0358	35x72	Right	Fine	35	72	M36x2	60	188	144	54.0	35	35	70	70	2930
65630.W0367	36x72	Right	Coarse	35	72	M36	60	188	144	54.0	36	36	70	70	2930
65630.W0368	36x72	Right	Fine	35	72	M36x2	60	188	144	54.0	36	36	70	70	2930
65630.W0408	40x84	Right	Fine	40	84	M42x2	70	232	168	63.5	40	40	85	85	5640
65630.W0428	42x84	Right	Coarse	42	84	M42	70	232	168	63.5	42	42	85	85	5340
65630.W0429	42x84	Right	Fine	42	84	M42x2	70	232	168	63.5	42	42	85	85	5340
65630.W0509	50x96	Right	Coarse	50	96	M48	82	265	192	73.0	50	50	96	96	7860
65630.W0510	50x96	Right	Fine	50	96	M48x2	82	265	192	73.0	50	50	96	96	7860



Steel Clevis Joints

left hand - silver zinc plated

Clevis Joints



65631

CLEVIS JOINTS

Material

Steel 1.0718 (11SMnPb30k), silver zinc plated.

Technical Notes

M4-M16: DIN 71 752/DIN ISO 8140.
M18-M48: Similar to DIN 71 752/DIN ISO 8140 and according to CETOP standard.

Tips

For yellow zinc plated version see R3394.

Important Notes

For sizes M4-M12, f_1 and $r_1 = 0,5$, for sizes M14-M16, f_1 and $r_1 = 1$
For sizes M18-M20, $f_1 = 1$, $r_1 = 1,5$, for M24 f_1 and $r_1 = 1,5$, for sizes M27-M30, $f_1 = 1,5$, $r_1 = 2$
For M36 $f_1 = 2$, $r_1 = 3$, for sizes M42-M48, $f_1 = 3$, $r_1 = 5$, for r_1 , radius or 45° bevelling.
Other Tolerances:-
 w_4 : M4-M16 = +0,3 -0,16
M18-M48 = +0,5 -0,2

w_2 : size 4x8-10x20 = B13
All others +0,7 +0,15
 d_3 : M4-M16 = ±0,3
 l_2 : size 4x8-6x12 = ±0,3
All others ±0,4
 l_3 : M4-M16 = ±0,2
M18-M48 = ±0,3
 r_1 : M18-M48 = ±0,5

Order No.	Size	Thread hand	Thread type	d_1 tol. H9	l_1 ±0.5	d_2	d_3	l_2 ±0.5	l_3	l_4	w_1 tol. B13	w_2	w_3 tol. h11	w_4	Weight g
65631.W0040	4x8	Left	Coarse	4	8	M4	8	21	16	6.0	4	4	8	8	5
65631.W0041	4x16	Left	Coarse	4	16	M4	8	29	24	6.0	4	4	8	8	7
65631.W0051	5x10	Left	Coarse	5	10	M5	9	26	20	7.5	5	5	10	10	9
65631.W0052	5x20	Left	Coarse	5	20	M5	9	36	30	7.5	5	5	10	10	13
65631.W0061	6x12	Left	Coarse	6	12	M6	10	31	24	9.0	6	6	12	12	15
65631.W0062	6x24	Left	Coarse	6	24	M6	10	43	36	9.0	6	6	12	12	21
65631.W0081	8x16	Left	Coarse	8	16	M8	14	42	32	12.0	8	8	16	16	37
65631.W0082	8x16	Left	Fine	8	16	M8x1	14	42	32	12.0	8	8	16	16	37
65631.W0083	8x32	Left	Coarse	8	32	M8	14	58	48	12.0	8	8	16	16	54
65631.W0084	8x32	Left	Fine	8	32	M8x1	14	58	48	12.0	8	8	16	16	54
65631.W0102	10x20	Left	Coarse	10	20	M10	18	52	40	15.0	10	10	20	20	74
65631.W0103	10x20	Left	Fine	10	20	M10x1,25	18	52	40	15.0	10	10	20	20	74
65631.W0104	10x40	Left	Coarse	10	40	M10	18	72	60	15.0	10	10	20	20	116
65631.W0105	10x40	Left	Fine	10	40	M10x1,25	18	72	60	15.0	10	10	20	20	116
65631.W0122	12x24	Left	Coarse	12	24	M12	20	62	48	18.0	12	12	24	24	121
65631.W0123	12x24	Left	Fine	12	24	M12x1,25	20	62	48	18.0	12	12	24	24	121
65631.W0124	12x48	Left	Coarse	12	48	M12	20	86	72	18.0	12	12	24	24	175
65631.W0125	12x48	Left	Fine	12	48	M12x1,25	20	86	72	18.0	12	12	24	24	175
65631.W0142	14x28	Left	Coarse	14	28	M14	24	72	56	22.5	14	14	27	27	178
65631.W0143	14x28	Left	Fine	14	28	M14x1,5	24	72	56	22.5	14	14	27	27	178
65631.W0145	14x56	Left	Coarse	14	56	M14	24	101	85	22.5	14	14	27	27	258
65631.W0146	14x56	Left	Fine	14	56	M14x1,5	24	101	85	22.5	14	14	27	27	258
65631.W0163	16x32	Left	Coarse	16	32	M16	26	83	64	24.0	16	16	32	32	282
65631.W0164	16x32	Left	Fine	16	32	M16x1,5	26	83	64	24.0	16	16	32	32	282
65631.W0166	16x64	Left	Coarse	16	64	M16	26	115	96	24.0	16	16	32	32	411
65631.W0167	16x64	Left	Fine	16	64	M16x1,5	26	115	96	24.0	16	16	32	32	411



Order No.	Size	Thread hand	Thread type	d ₁ tol. H9	l ₁ ±0.5	d ₂	d ₃	l ₂ ±0.5	l ₃	l ₄	w ₁ tol. B13	w ₂	w ₃ tol. h11	w ₄	Weight g
65631.W0183	18x36	Left	Coarse	18	36	M18	30	94	72	27.0	18	18	36	36	390
65631.W0184	18x36	Left	Fine	18	36	M18x1,5	30	94	72	27.0	18	18	36	36	390
65631.W0204	20x40	Left	Coarse	20	40	M20	34	105	80	30.0	20	20	40	40	550
65631.W0205	20x40	Left	Fine	20	40	M20x1,5	34	105	80	30.0	20	20	40	40	550
65631.W0208	20x80	Left	Coarse	20	80	M20	34	145	120	30.0	20	20	40	40	800
65631.W0209	20x80	Left	Fine	20	80	M20x1,5	34	145	120	30.0	20	20	40	40	800
65631.W0255	25x50	Left	Coarse	25	50	M24	42	132	100	36.0	25	25	50	50	1100
65631.W0256	25x50	Left	Fine	25	50	M24x2	42	132	100	36.0	25	25	50	50	1100
65631.W0285	28x56	Left	Coarse	28	56	M27	48	148	112	40.0	28	28	55	55	1500
65631.W0286	28x56	Left	Fine	28	56	M27x2	48	148	112	40.0	28	28	55	55	1500
65631.W0305	30x54	Left	Fine	30	54	M27x2	48	148	110	40.0	30	30	55	55	1440
65631.W0306	30x60	Left	Coarse	30	60	M30	52	160	120	42.0	30	30	60	60	1970
65631.W0307	30x60	Left	Fine	30	60	M30x2	52	160	120	42.0	30	30	60	60	1970
65631.W0355	35x54	Left	Fine	35	54	M36x2	60	188	144	54.0	35	35	70	70	2930
65631.W0357	35x72	Left	Coarse	35	72	M36	60	188	144	54.0	35	35	70	70	2930
65631.W0358	35x72	Left	Fine	35	72	M36x2	60	188	144	54.0	35	35	70	70	2930
65631.W0367	36x72	Left	Coarse	35	72	M36	60	188	144	54.0	36	36	70	70	2930
65631.W0368	36x72	Left	Fine	35	72	M36x2	60	188	144	54.0	36	36	70	70	2930
65631.W0408	40x84	Left	Fine	40	84	M42x2	70	232	168	63.5	40	40	85	85	5640
65631.W0428	42x84	Left	Coarse	42	84	M42	70	232	168	63.5	42	42	85	85	5340
65631.W0429	42x84	Left	Fine	42	84	M42x2	70	232	168	63.5	42	42	85	85	5340
65631.W0509	50x96	Left	Coarse	50	96	M48	82	265	192	73.0	50	50	96	96	7860
65631.W0510	50x96	Left	Fine	50	96	M48x2	82	265	192	73.0	50	50	96	96	7860



Parts overview

Clevis Joints

Stocked to DIN 71752 in steel and stainless steel. Plain clevis joints available in right and left hand threads zinc plated steel and stainless steel. Steel sizes from M4 up to M48. Stainless sizes from M4 up to M27.



Clevis Mating Pieces

These are designed to fit in between our clevis joints to create a linkage where an angular offset is required. Available in zinc plated steel and stainless steel. Sizes M4 up to M20.



Clevis Pins and Clips

Various styles of pins and clips to suit clevis joints in zinc plated steel and stainless steel. Sizes available to suit all sizes of clevis joints that we offer.



Clevis Retention Clips

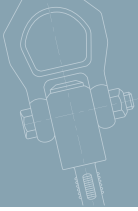
These are the most popular type of clip used with our clevis joints. They create a neat compact assembly, only available in zinc plated steel. Size available for clevis joints from 4mm up to 20mm.



Male Clevis Joints

Stocked in zinc plated steel and stainless steel, right and left hand threads. Sizes M6 up to M20.





Zinc plated steel

Clevis with retention clip
65630 and 65684



Clevis with clevis pin 65664
Safety fastener 65680

Clevis with clevis pin,
washer and cotter pin
65660 and 65674



Stainless steel

Clevis with clevis pin
and circlips 65666
and 65678



Clevis with clevis pin,
washer and cotter pin
65661 and 65675



Assembly options

Clevis with 65652
mating piece
and 65684 clevis
retention clip



Clevis with 65880
rod end and 65684
clevis retention clip



Tensile tests, statistically to failure (break)

Clevises M6 - M42

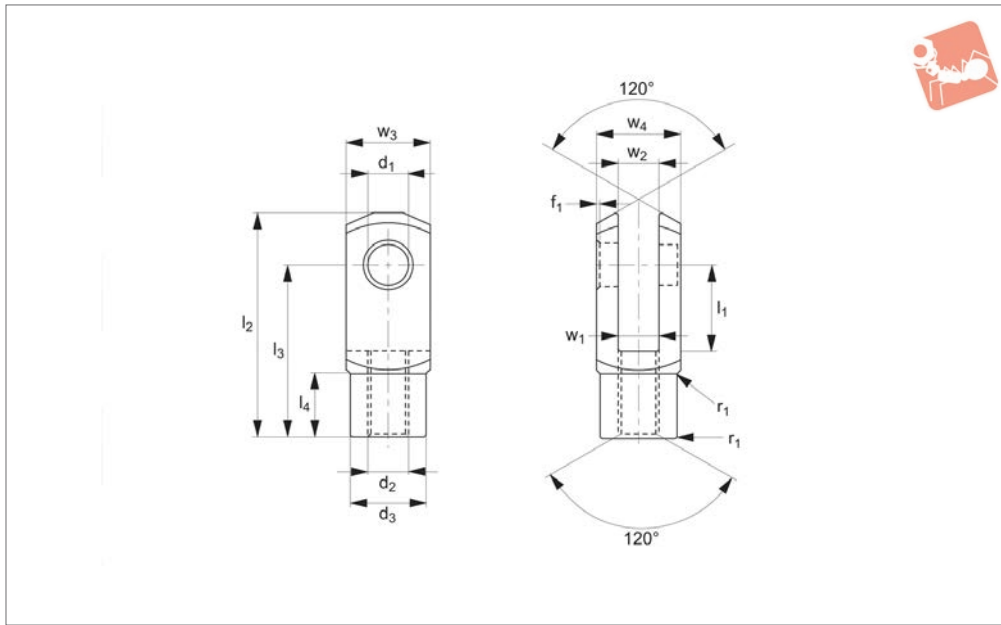
Clevis joints axially loaded.

Material

Leaded low carbon steel (AISI 12L14, 1.0718).

Important note: values in this table are indicative only and should only be used as a rough guide. The Company cannot foresee the intended applications of their products and we accept no liability for any actions taken by third parties. Customers are advised to use their own safety factors and/or perform their own testing on the clevis joint to ensure it meets requirements for their application.

Clevis size	F min (kN)	F max (kN)	F average value (kN)	Avg. force when clevis starts to deform (kN)
6 x 24 M 6	16,0	19,5	17,6	15,3
8 x 32 M 8	33,2	35,6	34,6	29,3
10 x 40 M10	42,0	52,0	47,5	41,3
12 x 48 M12	53,0	68,5	61,1	50,2
14 x 56 M14	60,5	64,5	63,0	48,8
16 x 64 M16	133,5	146,0	140,2	115
20 x 40 M20	194,5	234,0	213,5	176
25 x 50 M25	311,0	336,0	328,0	260
30 x 60 M30	428,0	450,0	440,6	343
36 x 72 M36	566,0	573,0	569,5	300
35 x 72 M36	561,2	567,9	564,6	370
42 x 84 M42	904,6	904,6	904,6	420



65610

CLEVIS JOINTS

Material

Stainless steel (1.4305 AISI 303 X8CrNiS18-9)

Technical Notes

M5-M16: DIN 71 752/DIN ISO 8140.
M20-M24: Similar to DIN 71 752 and according to CETOP standard.

Tips

Standard thread is right hand (for left

hand, see 65612).

Assembly is made up using 65635 clevis joint, 65661 pin, P0330 washer, and 65675 split cotter pin.

Important Notes

For sizes M5-M12, f_1 and $r_1 = 0,5$, for sizes M14-M16, f_1 and $r_1 = 1$

For size M20, $f_1=1$, $r_1 = 1,5$, for M24, f_1 and

$r_1 = 1,5$, for r_1 , radius or 45° bevelling.

Other Tolerances:-

w_4 : M4-M16 = +0,3 -0,16

M20-M24 = +0,5 - 0,2

w_2 : Size 4x8-10x20 = B13

Size 10x40-25x50 = +0,7 +0,15

l_3 : up to size 6x12 = ±0,3

From size 6x24 = ±0,4

Order No.	Size	Thread hand	Thread type	d_1 tol. H9	l_1 ±0.5	d_2	d_3	l_2 ±0.5	l_3	l_4	w_1 ±0.5	w_2	w_3 tol. h11	w_4	Weight g
65610.W0051	5x10	Right	Coarse	5	10	M5	9	26	20	7.5	5	5	10	10	9
65610.W0052	5x20	Right	Coarse	5	20	M5	9	36	30	7.5	5	5	10	10	13
65610.W0061	6x12	Right	Coarse	6	12	M6	10	31	24	9.0	6	6	12	12	15
65610.W0062	6x24	Right	Coarse	6	24	M6	10	43	36	9.0	6	6	12	12	21
65610.W0081	8x16	Right	Coarse	8	16	M8	14	42	32	12.0	8	8	16	16	37
65610.W0082	8x16	Right	Fine	8	16	M8x1	14	42	32	12.0	8	8	16	16	37
65610.W0083	8x32	Right	Coarse	8	32	M8	14	58	48	12.0	8	8	16	16	54
65610.W0084	8x32	Right	Fine	8	32	M8x1	14	58	48	12.0	8	8	16	16	54
65610.W0102	10x20	Right	Coarse	10	20	M10	18	52	40	15.0	10	10	20	20	74
65610.W0103	10x20	Right	Fine	10	20	M10x1,25	18	52	40	15.0	10	10	20	20	74
65610.W0104	10x40	Right	Coarse	10	40	M10	18	72	60	15.0	10	10	20	20	116
65610.W0105	10x40	Right	Fine	10	40	M10x1,25	18	72	60	15.0	10	10	20	20	116
65610.W0122	12x24	Right	Coarse	12	24	M12	20	62	48	18.0	12	12	24	24	121
65610.W0123	12x24	Right	Fine	12	24	M12x1,25	20	62	48	18.0	12	12	24	24	121
65610.W0124	12x48	Right	Coarse	12	48	M12	20	86	72	18.0	12	12	24	24	175
65610.W0125	12x48	Right	Fine	12	48	M12x1,25	20	86	72	18.0	12	12	24	24	175
65610.W0142	14x28	Right	Coarse	14	28	M14	24	72	56	22.5	14	14	27	27	178
65610.W0143	14x28	Right	Fine	14	28	M14x1,5	24	72	56	22.5	14	14	27	27	178
65610.W0145	14x56	Right	Coarse	14	56	M14	24	101	85	22.5	14	14	27	27	258
65610.W0146	14x56	Right	Fine	14	56	M14x1,5	24	101	85	22.5	14	14	27	27	258
65610.W0163	16x32	Right	Coarse	16	32	M16	26	83	64	24.0	16	16	32	32	282
65610.W0164	16x32	Right	Fine	16	32	M16x1,5	26	83	64	24.0	16	16	32	32	282
65610.W0166	16x64	Right	Coarse	16	64	M16	26	115	96	24.0	16	16	32	32	411
65610.W0167	16x64	Right	Fine	16	64	M16x1,5	26	115	96	24.0	16	16	32	32	411
65610.W0204	20x40	Right	Coarse	20	40	M20	34	105	80	30.0	20	20	40	40	550
65610.W0205	20x40	Right	Fine	20	40	M20x1,5	34	105	80	30.0	20	20	40	40	550
65610.W0255	25x50	Right	Coarse	25	50	M24	42	132	100	36.0	25	25	50	50	1100



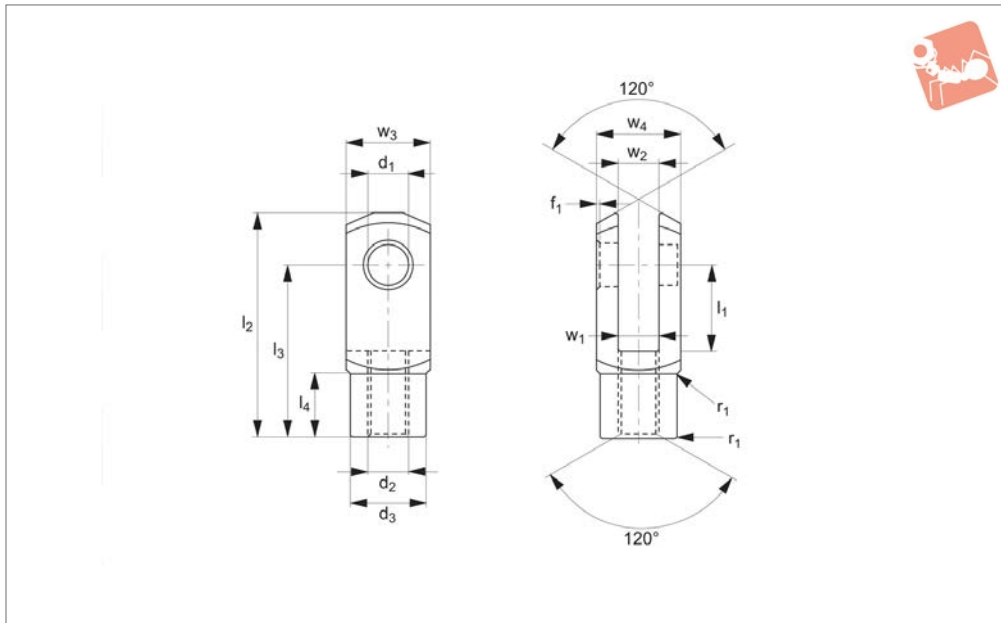
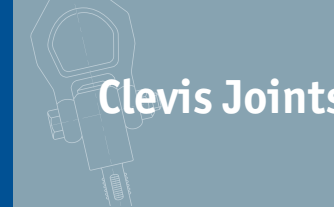
Order No.	Size	Thread hand	Thread type	d_1 tol. H9	l_1 ± 0.5	d_2	d_3	l_2 ± 0.5	l_3	l_4	w_1 ± 0.5	w_2	w_3 tol. h11	w_4	Weight g
65610.W0256	25x50	Right	Fine	25	50	M24x2	42	132	100	36.0	25	25	50	50	1100



Stainless Clevis Joints with Pin

left hand thread

Clevis Joints



65612

CLEVIS JOINTS

Material

Stainless steel (1.4305 AISI 303 X8CrNiS18-9)

Technical Notes

M5-M16: DIN 71 752/DIN ISO 8140.
M20-M24: Similar to DIN 71 752 and according to CETOP standard.

Tips

Assembly is made up using 65636 clevis

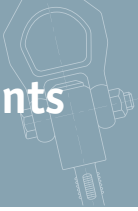
joint, 65661 pin, P0330 washer, and 65675 split cotter pin.

Important Notes

For sizes M5-M12, f_1 and $r_1 = 0,5$, for sizes M14-M16, f_1 and $r_1 = 1$
For size M20, $f_1 = 1$, $r_1 = 1,5$, for M24, f_1 and $r_1 = 1,5$, for r_1 , radius or 45° bevelling.
Other Tolerances:-
 w_4 : M4-M16 = +0,3 -0,16

M20-M27 = +0,5 -0,2
 w_2 : Size 4x8-10x20 = B13
Size 10x40-30x54 = +0,7 +0,15
 l_3 : up to size 6x12 = ±0,3
From size 6x24 = ±0,4

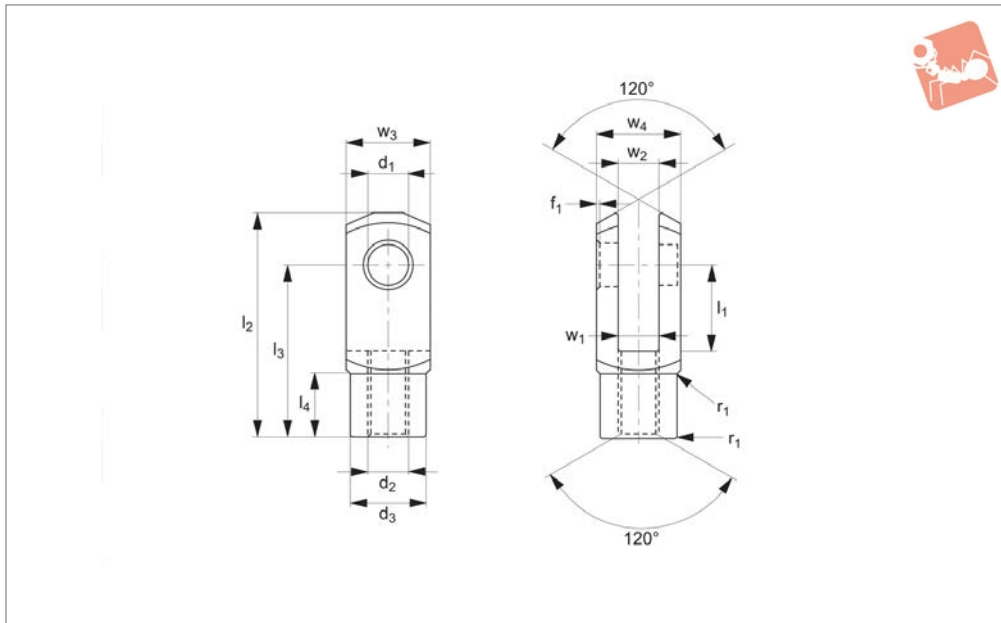
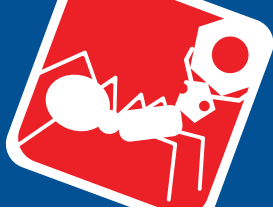
Order No.	Size	Thread hand	Thread type	d_1 tol. H9	l_1 ±0.5	d_2	d_3	l_2 ±0.5	l_3	l_4	w_1 tol. B13	w_2	w_3 tol. h11	w_4	Weight g
65612.W0051	5x10	Left	Coarse	5	10	M5	9	26	20	7.5	5	5	10	10	9
65612.W0052	5x20	Left	Coarse	5	20	M5	9	36	30	7.5	5	5	10	10	13
65612.W0061	6x12	Left	Coarse	6	12	M6	10	31	24	9.0	6	6	12	12	15
65612.W0062	6x24	Left	Coarse	6	24	M6	10	43	36	9.0	6	6	12	12	21
65612.W0081	8x16	Left	Coarse	8	16	M8	14	42	32	12.0	8	8	16	16	37
65612.W0082	8x16	Left	Fine	8	16	M8x1	14	42	32	12.0	8	8	16	16	37
65612.W0083	8x32	Left	Coarse	8	32	M8	14	58	48	12.0	8	8	16	16	54
65612.W0084	8x32	Left	Fine	8	32	M8x1	14	58	48	12.0	8	8	16	16	54
65612.W0102	10x20	Left	Coarse	10	20	M10	18	52	40	15.0	10	10	20	20	74
65612.W0103	10x20	Left	Fine	10	20	M10x1,25	18	52	40	15.0	10	10	20	20	74
65612.W0104	10x40	Left	Coarse	10	40	M10	18	72	60	15.0	10	10	20	20	116
65612.W0105	10x40	Left	Fine	10	40	M10x1,25	18	72	60	15.0	10	10	20	20	116
65612.W0122	12x24	Left	Coarse	12	24	M12	20	62	48	18.0	12	12	24	24	121
65612.W0123	12x24	Left	Fine	12	24	M12x1,25	20	62	48	18.0	12	12	24	24	121
65612.W0124	12x48	Left	Coarse	12	48	M12	20	86	72	18.0	12	12	24	24	175
65612.W0125	12x48	Left	Fine	12	48	M12x1,25	20	86	72	18.0	12	12	24	24	175
65612.W0142	14x28	Left	Coarse	14	28	M14	24	72	56	22.5	14	14	27	27	178
65612.W0143	14x28	Left	Fine	14	28	M14x1,5	24	72	56	22.5	14	14	27	27	178
65612.W0145	14x56	Left	Coarse	14	56	M14	24	101	85	22.5	14	14	27	27	258
65612.W0146	14x56	Left	Fine	14	56	M14x1,5	24	101	85	22.5	14	14	27	27	258
65612.W0163	16x32	Left	Coarse	16	32	M16	26	83	64	24.0	16	16	32	32	282
65612.W0164	16x32	Left	Fine	16	32	M16x1,5	26	83	64	24.0	16	16	32	32	282
65612.W0166	16x64	Left	Coarse	16	64	M16	26	115	96	24.0	16	16	32	32	411
65612.W0167	16x64	Left	Fine	16	64	M16x1,5	26	115	96	24.0	16	16	32	32	411
65612.W0204	20x40	Left	Coarse	20	40	M20	34	105	80	30.0	20	20	40	40	550
65612.W0205	20x40	Left	Fine	20	40	M20x1,5	34	105	80	30.0	20	20	40	40	550
65612.W0255	25x50	Left	Coarse	25	50	M24	42	132	100	36.0	25	25	50	50	1100



Stainless Clevis Joints with Pin left hand thread



Order No.	Size	Thread hand	Thread type	d_1 tol. H9	l_1 ± 0.5	d_2	d_3	l_2 ± 0.5	l_3	l_4	w_1 tol. B13	w_2	w_3 tol. h11	w_4	Weight g
65612.W0256	25x50	Left	Fine	25	50	M24x2	42	132	100	36.0	25	25	50	50	1100



65614

CLEVIS JOINTS

Material

Stainless steel (1.4305 AISI 303 X8CrNiS18-9)

Technical Notes

M5-M16: DIN 71 752/DIN ISO 8140.
M20: Similar to DIN 71 752 and according to CETOP standard.

Tips

Standard thread is right hand, (for left

hand, see 65616).

Assembly is made up using 65635 clevis joint, 65666 pin, and 2 off 65678 circlips.

Important Notes

For sizes M5-M12, f_1 and $r_1 = 0,5$, for sizes M16, f_1 and $r_1 = 1$
For size M20, $f_1=1$, $r_1 = 1,5$, for r_1 , radius or 45° bevelling.
Other Tolerances:-

w_4 : M4-M16 = +0,3 -0,16

M20 = +0,5 - 0,2

w_2 : Size 4x8-10x20 = B13

Size 10x40-20x40 = +0,7 +0,15

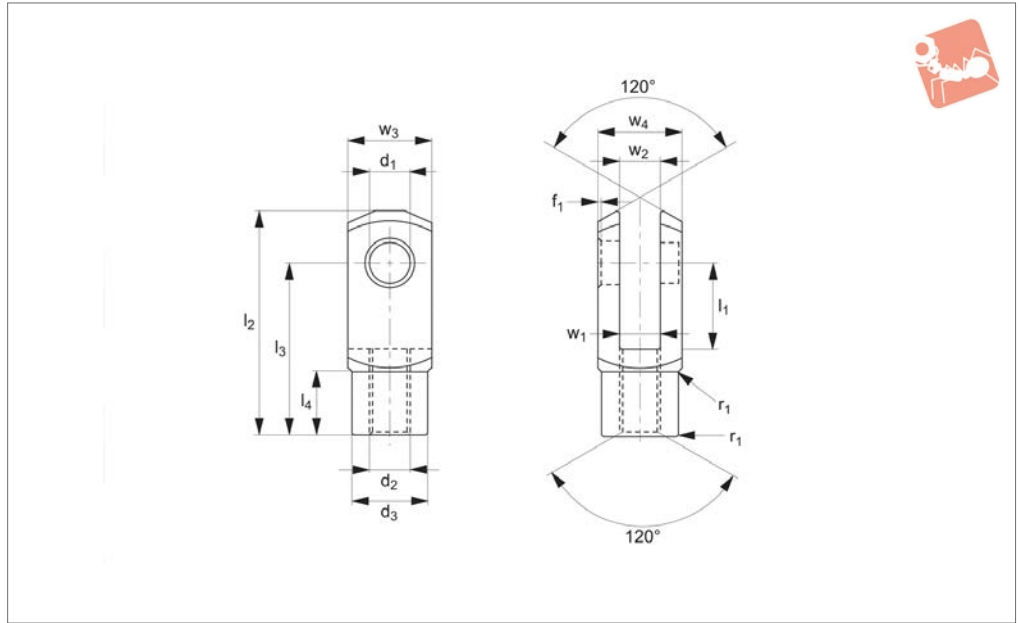
l_3 : up to size 6x12 = ±0,3

From size 6x24 = ±0,4

Order No.	Size	Thread hand	Thread type	d_1 tol. H9	l_1 ±0.5	d_2	d_3	l_2 ±0.5	l_3	l_4	w_1 ±0.5	w_2	w_3 tol. h11	w_4	Weight g
65614.W0051	5x10	Right	Coarse	5	10	M5	9	26	20	7.5	5	5	10	10	9
65614.W0052	5x20	Right	Coarse	5	20	M5	9	36	30	7.5	5	5	10	10	13
65614.W0061	6x12	Right	Coarse	6	12	M6	10	31	24	9.0	6	6	12	12	15
65614.W0062	6x24	Right	Coarse	6	24	M6	10	43	36	9.0	6	6	12	12	21
65614.W0081	8x16	Right	Coarse	8	16	M8	14	42	32	12.0	8	8	16	16	37
65614.W0082	8x16	Right	Fine	8	16	M8x1	14	42	32	12.0	8	8	16	16	37
65614.W0083	8x32	Right	Coarse	8	32	M8	14	58	48	12.0	8	8	16	16	54
65614.W0084	8x32	Right	Fine	8	32	M8x1	14	58	48	12.0	8	8	16	16	54
65614.W0102	10x20	Right	Coarse	10	20	M10	18	52	40	15.0	10	10	20	20	74
65614.W0103	10x20	Right	Fine	10	20	M10x1,25	18	52	40	15.0	10	10	20	20	74
65614.W0104	10x40	Right	Coarse	10	40	M10	18	72	60	15.0	10	10	20	20	116
65614.W0105	10x40	Right	Fine	10	40	M10x1,25	18	72	60	15.0	10	10	20	20	116
65614.W0122	12x24	Right	Coarse	12	24	M12	20	62	48	18.0	12	12	24	24	121
65614.W0123	12x24	Right	Fine	12	24	M12x1,25	20	62	48	18.0	12	12	24	24	121
65614.W0124	12x48	Right	Coarse	12	48	M12	20	86	72	18.0	12	12	24	24	175
65614.W0125	12x48	Right	Fine	12	48	M12x1,25	20	86	72	18.0	12	12	24	24	175
65614.W0163	16x32	Right	Coarse	16	32	M16	26	83	64	24.0	16	16	32	32	282
65614.W0164	16x32	Right	Fine	16	32	M16x1,5	26	83	64	24.0	16	16	32	32	282
65614.W0166	16x64	Right	Coarse	16	64	M16	26	115	96	24.0	16	16	32	32	411
65614.W0167	16x64	Right	Fine	16	64	M16x1,5	26	115	96	24.0	16	16	32	32	411
65614.W0204	20x40	Right	Coarse	20	40	M20	34	105	80	30.0	20	20	40	40	550
65614.W0205	20x40	Right	Fine	20	40	M20x1,5	34	105	80	30.0	20	20	40	40	550



65616



Material

Stainless steel (1.4305 AISI 303 X8CrNiS18-9)

Technical Notes

M5-M16: DIN 71 752/DIN ISO 8140.

M20: Similar to DIN 71 752 and according to CETOP standard.

Tips

Assembly is made up using 65636 clevis

joint, 65666 pin, and 2 off 65678 circlips.

Important Notes

For sizes M5-M12, f_1 and $r_1 = 0,5$, for sizes M16, f_1 and $r_1 = 1$

For size M20, $f_1=1$, $r_1 = 1,5$, for r_1 , radius or 45° bevelling.

Other Tolerances:-

w_4 : M4-M16 = +0,3 -0,16

M20 = +0,5 - 0,2

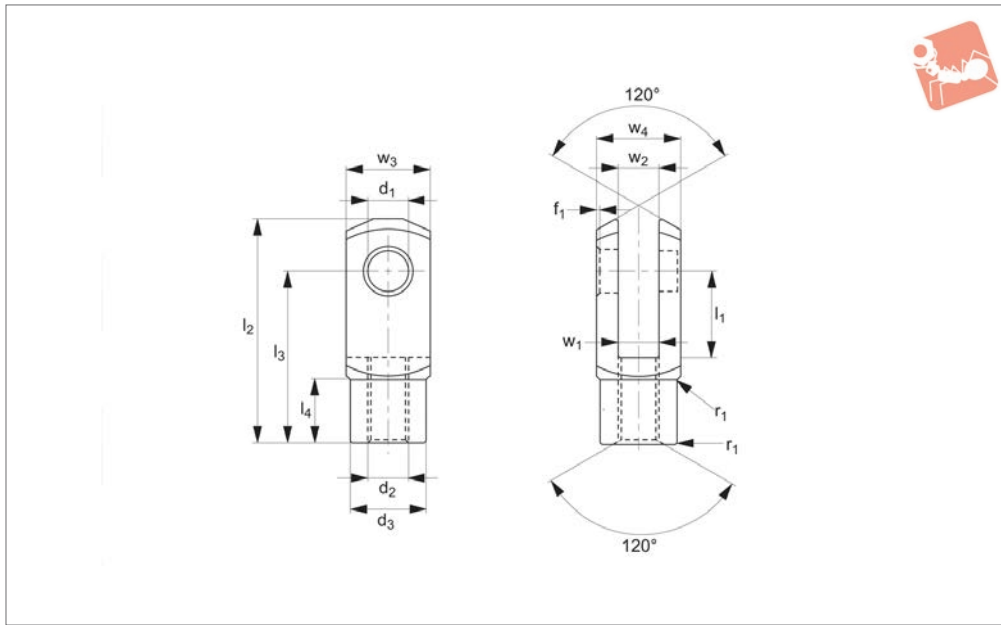
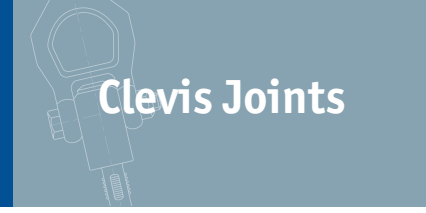
w_2 : Size 4x8-10x20 = B13

Size 10x40-20x40 = +0,7 +0,15

l_3 : up to size 6x12 = ±0,3

From size 6x24 = ±0,4

Order No.	Size	Thread hand	Thread type	d_1 tol. H9	l_1 ±0.5	d_2	d_3	l_2 ±0.5	l_3	l_4	w_1 tol. B13	w_2	w_3 tol. h11	w_4	Weight g
65616.W0051	5x10	Left	Coarse	5	10	M5	9	26	20	7.5	5	5	10	10	9
65616.W0052	5x20	Left	Coarse	5	20	M5	9	36	30	7.5	5	5	10	10	13
65616.W0061	6x12	Left	Coarse	6	12	M6	10	31	24	9.0	6	6	12	12	15
65616.W0062	6x24	Left	Coarse	6	24	M6	10	43	36	9.0	6	6	12	12	21
65616.W0081	8x16	Left	Coarse	8	16	M8	14	42	32	12.0	8	8	16	16	37
65616.W0082	8x16	Left	Fine	8	16	M8x1	14	42	32	12.0	8	8	16	16	37
65616.W0083	8x32	Left	Coarse	8	32	M8	14	58	48	12.0	8	8	16	16	54
65616.W0084	8x32	Left	Fine	8	32	M8x1	14	58	48	12.0	8	8	16	16	54
65616.W0102	10x20	Left	Coarse	10	20	M10	18	52	40	15.0	10	10	20	20	74
65616.W0103	10x20	Left	Fine	10	20	M10x1,25	18	52	40	15.0	10	10	20	20	74
65616.W0104	10x40	Left	Coarse	10	40	M10	18	72	60	15.0	10	10	20	20	116
65616.W0105	10x40	Left	Fine	10	40	M10x1,25	18	72	60	15.0	10	10	20	20	116
65616.W0122	12x24	Left	Coarse	12	24	M12	20	62	48	18.0	12	12	24	24	121
65616.W0123	12x24	Left	Fine	12	24	M12x1,25	20	62	48	18.0	12	12	24	24	121
65616.W0124	12x48	Left	Coarse	12	48	M12	20	86	72	18.0	12	12	24	24	175
65616.W0125	12x48	Left	Fine	12	48	M12x1,25	20	86	72	18.0	12	12	24	24	175
65616.W0163	16x32	Left	Coarse	16	32	M16	26	83	64	24.0	16	16	32	32	282
65616.W0164	16x32	Left	Fine	16	32	M16x1,5	26	83	64	24.0	16	16	32	32	282
65616.W0166	16x64	Left	Coarse	16	64	M16	26	115	96	24.0	16	16	32	32	411
65616.W0167	16x64	Left	Fine	16	64	M16x1,5	26	115	96	24.0	16	16	32	32	411
65616.W0204	20x40	Left	Coarse	20	40	M20	34	105	80	30.0	20	20	40	40	550
65616.W0205	20x40	Left	Fine	20	40	M20x1,5	34	105	80	30.0	20	20	40	40	550



65635

CLEVIS JOINTS

Material

Stainless steel (1.4305 AISI 303 X8CrNiS18-9).

Technical Notes

M4-M16: DIN 71 752/DIN ISO 8140.
M20-M27: Similar to DIN 71 752 and according to CETOP standard.

Tips

Standard thread is right hand, (for left

hand, see 65636).

Important Notes

For sizes M4-M12, f_1 and $r_1 = 0,5$, for sizes M14-M16, f_1 and $r_1 = 1$, for size M20, $f_1 = 1, r_1 = 1,5$
For M24, f_1 and $r_1 = 1,5$, for M27, $f_1 = 1,5, r_1 = 2$, for r_1 , radius or 45° bevelling.
Other Tolerances:-

w_4 : M4-M16 = $+0,3 -0,16$
M20-M27 = $+0,5 - 0,2$
 w_2 : Size 4x8-10x20 = B13
Size 10x40-30x54 = $+0,7 +0,15$
 l_3 : up to size 6x12 = $\pm 0,3$
From size 6x24 = $\pm 0,4$

Order No.	Size	Thread hand	Thread type	d_1 tol. h9	l_1 $\pm 0,5$	d_2	d_3	l_2 $\pm 0,5$	l_3	l_4	w_1 $\pm 0,5$	w_2	w_3 tol. h11	w_4	Weight g
65635.W0040	4x8	Right	Coarse	4	8	M 4	8	21	16	6.0	4	4	8	8	5
65635.W0041	4x16	Right	Coarse	4	16	M 4	8	29	24	6.0	4	4	8	8	7
65635.W0051	5x10	Right	Coarse	5	10	M 5	9	26	20	7.5	5	5	10	10	9
65635.W0052	5x20	Right	Coarse	5	20	M 5	9	36	30	7.5	5	5	10	10	13
65635.W0061	6x12	Right	Coarse	6	12	M 6	10	31	24	9.0	6	6	12	12	15
65635.W0062	6x24	Right	Coarse	6	24	M 6	10	43	36	9.0	6	6	12	12	21
65635.W0081	8x16	Right	Coarse	8	16	M 8	14	42	32	12.0	8	8	16	16	37
65635.W0082	8x16	Right	Fine	8	16	M 8x1	14	42	32	12.0	8	8	16	16	37
65635.W0083	8x32	Right	Coarse	8	32	M 8	14	58	48	12.0	8	8	16	16	54
65635.W0084	8x32	Right	Fine	8	32	M 8x1	14	58	48	12.0	8	8	16	16	54
65635.W0102	10x20	Right	Coarse	10	20	M10	18	52	40	15.0	10	10	20	20	74
65635.W0103	10x20	Right	Fine	10	20	M10x1,25	18	52	40	15.0	10	10	20	20	74
65635.W0104	10x40	Right	Coarse	10	40	M10	18	72	60	15.0	10	10	20	20	116
65635.W0105	10x40	Right	Fine	10	40	M10x1,25	18	72	60	15.0	10	10	20	20	116
65635.W0122	12x24	Right	Coarse	12	24	M12	20	62	48	18.0	12	12	24	24	121
65635.W0123	12x24	Right	Fine	12	24	M12x1,25	20	62	48	18.0	12	12	24	24	121
65635.W0124	12x48	Right	Coarse	12	48	M12	20	86	72	18.0	12	12	24	24	175
65635.W0125	12x48	Right	Fine	12	48	M12x1,25	20	86	72	18.0	12	12	24	24	175
65635.W0142	14x28	Right	Coarse	14	28	M14	24	72	56	22.5	14	14	27	27	178
65635.W0143	14x28	Right	Fine	14	28	M14x1,5	24	72	56	22.5	14	14	27	27	178
65635.W0145	14x56	Right	Coarse	14	56	M14	24	101	85	22.5	14	14	27	27	258
65635.W0146	14x56	Right	Fine	14	56	M14x1,5	24	101	85	22.5	14	14	27	27	258
65635.W0163	16x32	Right	Coarse	16	32	M16	26	83	64	24.0	16	16	32	32	282
65635.W0164	16x32	Right	Fine	16	32	M16x1,5	26	83	64	24.0	16	16	32	32	282
65635.W0166	16x64	Right	Coarse	16	64	M16	26	115	96	24.0	16	16	32	32	411
65635.W0167	16x64	Right	Fine	16	64	M16x1,5	26	115	96	24.0	16	16	32	32	411
65635.W0204	20x40	Right	Coarse	20	40	M20	34	105	80	30.0	20	20	40	40	550

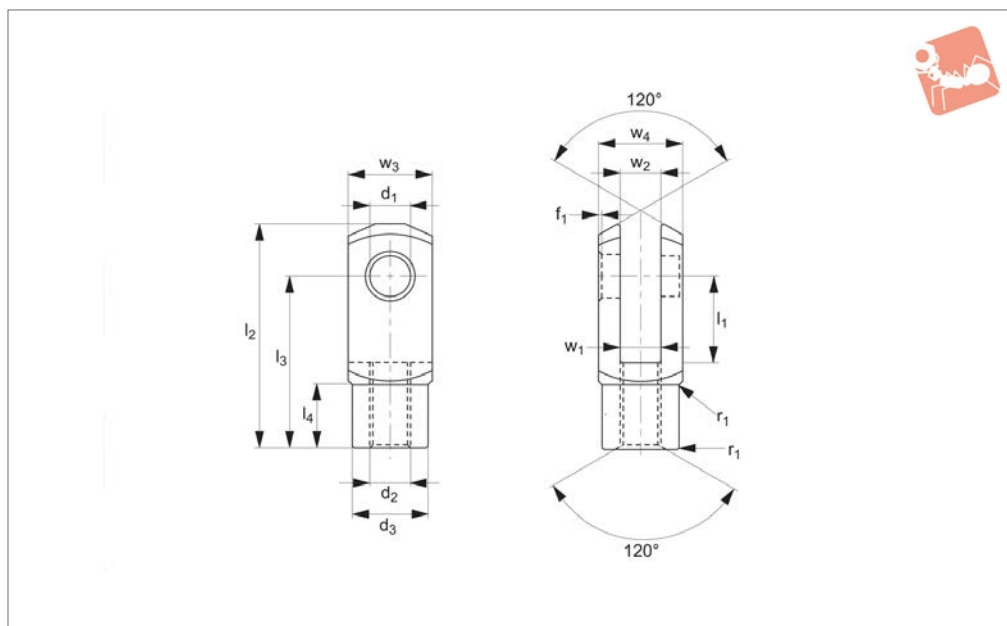
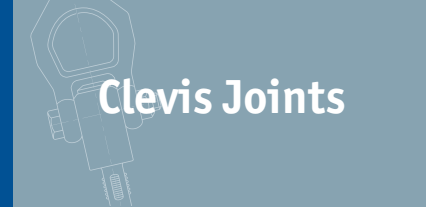
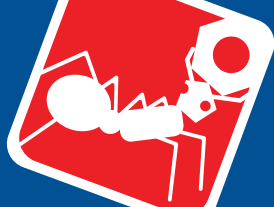


Order No.	Size	Thread hand	Thread type	d_1 tol. h9	l_1 ± 0.5	d_2	d_3	l_2 ± 0.5	l_3	l_4	w_1 ± 0.5	w_2	w_3 tol. h11	w_4	Weight g
65635.W0205	20x40	Right	Fine	20	40	M20x1,5	34	105	80	30.0	20	20	40	40	550
65635.W0255	25x50	Right	Coarse	25	50	M24	42	132	100	36.0	25	25	50	50	1100
65635.W0256	25x50	Right	Fine	25	50	M24x2	42	132	100	36.0	25	25	50	50	1100
65635.W0305	30x54	Right	Fine	30	54	M27x2	48	148	110	40.0	30	30	55	55	1440

Stainless Clevis Joints

left hand thread

Clevis Joints



65636

CLEVIS JOINTS

Material

Stainless steel (1.4305 AISI 303 X8CrNiS18-9)

Technical Notes

M4-M16: DIN 71 752/DIN ISO 8140.

M20-M27: Similar to DIN 71 752 and according to CETOP standard.

Important Notes

For sizes M4-M12, f_1 and $r_1 = 0,5$, for sizes M14-M16, f_1 and $r_1 = 1$, for size M20, $f_1=1$, $r_1 = 1,5$

For M24, f_1 and $r_1 = 1,5$, for M27, $f_1=1,5$, $r_1 = 2$, for r_1 , radius or 45° bevelling.

Other Tolerances:-

w_4 : M4-M16 = +0,3 -0,16

M20-M27 = +0,5 - 0,2

w_2 : Size 4x8-10x20 = B13

Size 10x40-30x54 = +0,7 +0,15

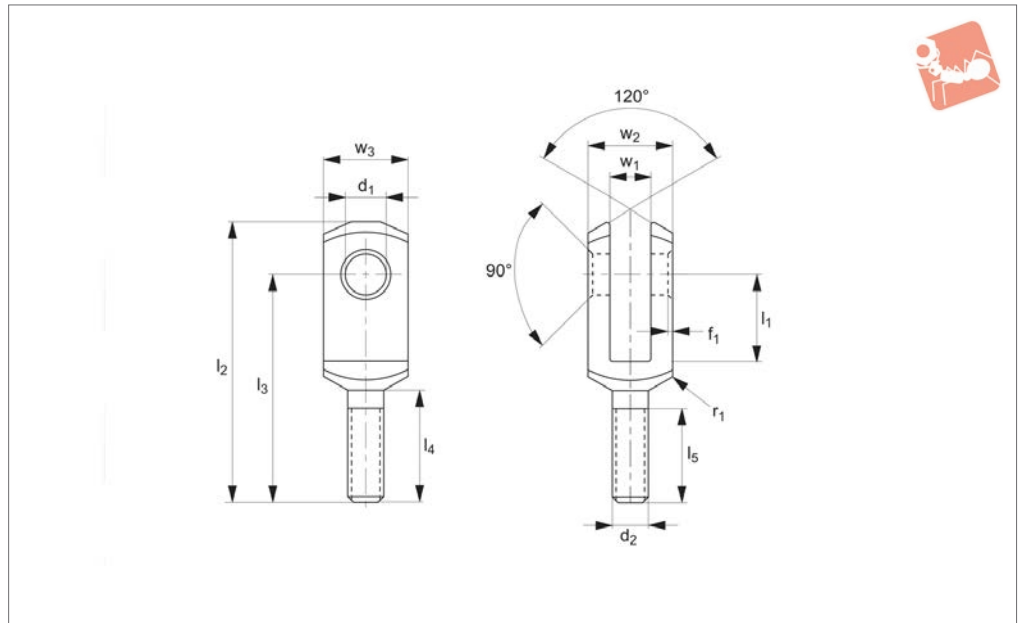
l_3 : up to size 6x12 = ±0,3

From size 6x24 = ±0,4

Order No.	Size	Thread hand	Thread type	d_1 tol. H9	l_1 ±0.5	d_2	d_3	l_2 ±0.5	l_3	l_4	w_1 tol. B13	w_2	w_3 tol. h11	w_4	Weight g
65636.W0040	4x8	Left	Coarse	4	8	M4	8	21	16	6.0	4	4	8	8	5
65636.W0041	4x16	Left	Coarse	4	16	M4	8	29	24	6.0	4	4	8	8	7
65636.W0051	5x10	Left	Coarse	5	10	M5	9	26	20	7.5	5	5	10	10	9
65636.W0052	5x20	Left	Coarse	5	20	M5	9	36	30	7.5	5	5	10	10	13
65636.W0061	6x12	Left	Coarse	6	12	M6	10	31	24	9.0	6	6	12	12	15
65636.W0062	6x24	Left	Coarse	6	24	M6	10	43	36	9.0	6	6	12	12	21
65636.W0081	8x16	Left	Coarse	8	16	M8	14	42	32	12.0	8	8	16	16	37
65636.W0082	8x16	Left	Fine	8	16	M8x1	14	42	32	12.0	8	8	16	16	37
65636.W0083	8x32	Left	Coarse	8	32	M8	14	58	48	12.0	8	8	16	16	54
65636.W0102	10x20	Left	Coarse	10	20	M10	18	52	40	15.0	10	10	20	20	74
65636.W0103	10x20	Left	Fine	10	20	M10x1,25	18	52	40	15.0	10	10	20	20	74
65636.W0104	10x40	Left	Coarse	10	40	M10	18	72	60	15.0	10	10	20	20	116
65636.W0105	10x40	Left	Fine	10	40	M10x1,25	18	72	60	15.0	10	10	20	20	116
65636.W0122	12x24	Left	Coarse	12	24	M12	20	62	48	18.0	12	12	24	24	121
65636.W0123	12x24	Left	Fine	12	24	M12x1,25	20	62	48	18.0	12	12	24	24	121
65636.W0124	12x48	Left	Coarse	12	48	M12	20	86	72	18.0	12	12	24	24	175
65636.W0125	12x48	Left	Fine	12	48	M12x1,25	20	86	72	18.0	12	12	24	24	175
65636.W0142	14x28	Left	Coarse	14	28	M14	24	72	56	22.5	14	14	27	27	178
65636.W0143	14x28	Left	Fine	14	28	M14x1,5	24	72	56	22.5	14	14	27	27	178
65636.W0145	14x56	Left	Coarse	14	56	M14	24	101	85	22.5	14	14	27	27	258
65636.W0146	14x56	Left	Fine	14	56	M14x1,5	24	101	85	22.5	14	4	27	27	258
65636.W0163	16x32	Left	Coarse	16	32	M16	26	83	64	24.0	16	16	32	32	282
65636.W0164	16x32	Left	Fine	16	32	M16x1,5	26	83	64	24.0	16	16	32	32	282
65636.W0166	16x64	Left	Coarse	16	64	M16	26	115	96	24.0	16	16	32	32	411
65636.W0167	16x64	Left	Fine	16	64	M16x1,5	26	115	96	24.0	16	16	32	32	411
65636.W0204	20x40	Left	Coarse	20	40	M20	34	105	80	30.0	20	20	40	40	550
65636.W0205	20x40	Left	Fine	20	40	M20x1,5	34	105	80	30.0	20	20	40	40	550
65636.W0255	25x50	Left	Coarse	25	50	M24	42	132	100	36.0	25	25	50	50	1100
65636.W0256	25x50	Left	Fine	25	50	M24x2	42	132	100	36.0	25	25	50	50	1100
65636.W0305	30x54	Left	Fine	30	54	M27x2	48	148	110	40.0	30	30	55	55	1440



65640



Material

Steel (1.0718) silver zinc plated.

standard.

Other Tolerances: for r_1 , radius or 45° beveling.

Technical Notes

Similar to DIN 71 752/DIN ISO 8140/CETOP

Tips

Standard thread is right hand, (for left hand, see 65641).

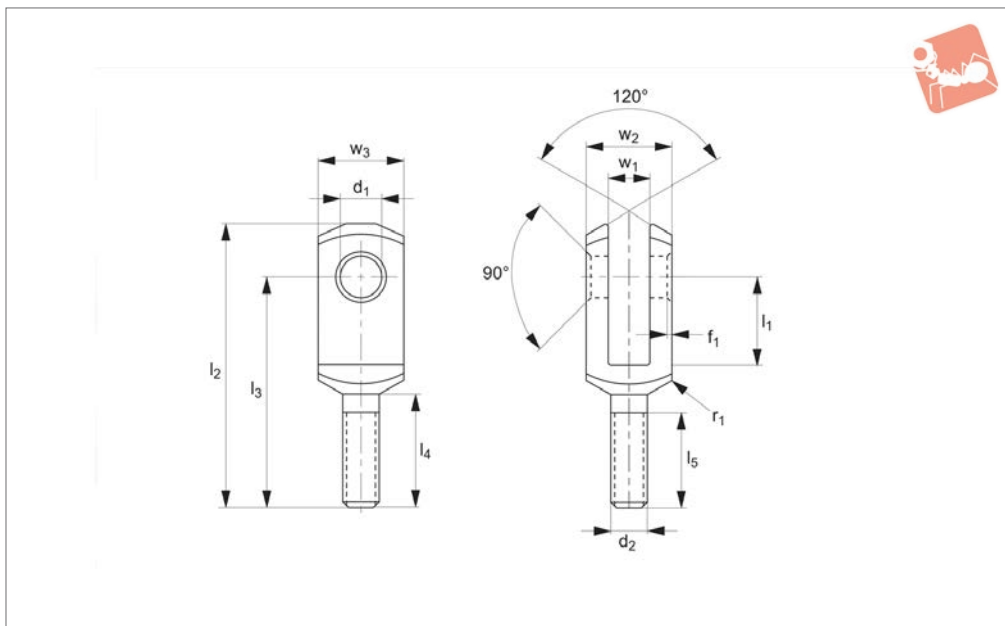
Order No.	Size	Thread hand	d_1 tol. H9	l_1 ± 0.5	d_2	l_2 ± 0.2	l_3 ± 0.4	l_4 ± 0.2	l_5	w_1 $+0.7 +0.15$	w_2 $+0.5 +0.2$	w_3 tol. h11	f_1 ± 0.2	r_1	Weight g
65640.W0006	6x12	Right	6	12	M6	44	37	20	15	6	12	12	0.5	0.8	15
65640.W0008	8x16	Right	8	16	M8	57	47	25	20	8	16	16	0.5	0.8	36
65640.W0010	10x20	Right	10	20	M10	69	57	30	25	10	20	20	0.5	0.8	68
65640.W0012	12x24	Right	12	24	M12	82	68	35	30	12	24	24	0.5	0.8	112
65640.W0014	14x28	Right	14	28	M14	94	78	40	35	14	27	27	1.0	1.2	171
65640.W0016	16x32	Right	16	32	M16	108	89	45	40	16	32	32	1.0	1.2	288
65640.W0020	20x40	Right	20	40	M20	134	109	55	50	20	40	40	1.0	1.5	550



Male Clevis Joints

left hand thread - silver zinc plated

Clevis Joints



65641

CLEVIS JOINTS

Material

Steel (1.0718) silver zinc plated.

standard.

Other Tolerances: for r_1 , radius or 45° bevelling.

Technical Notes

Similar to DIN 71 752/DIN ISO 8140/CETOP

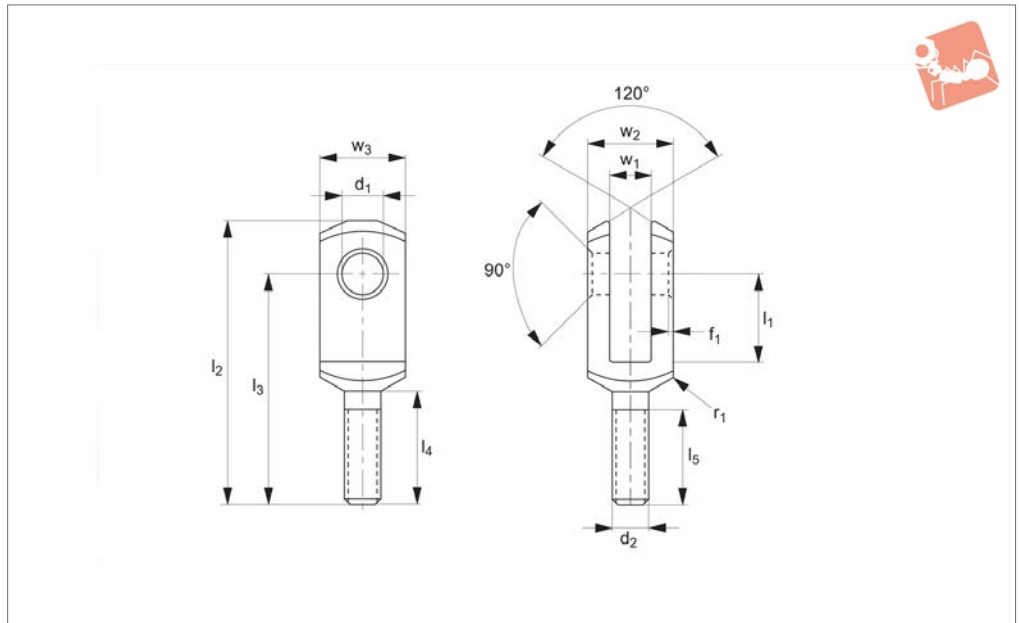
Tips

Standard thread is right hand, (for left hand, see 65641).

Order No.	Size	Thread hand	d_1 tol. H9	l_1 ± 0.5	d_2	l_2 ± 0.2	l_3 ± 0.4	l_4 ± 0.2	l_5	w_1 +0.7 -0.15	w_2 +0.5 +0.2	w_3 tol. h11	f_1 ± 0.2	r_1	Weight g
65641.W0006	6x12	Left	6	12	M6	44	37	20	15	6	12	12	0.5	0.8	15
65641.W0008	8x16	Left	8	16	M8	57	47	25	20	8	16	16	0.5	0.8	36
65641.W0010	10x20	Left	10	20	M10	69	57	30	25	10	20	20	0.5	0.8	68
65641.W0012	12x24	Left	12	24	M12	82	68	35	30	12	24	24	0.5	0.8	112
65641.W0014	14x28	Left	14	28	M14	94	78	40	35	14	27	27	1.0	1.2	171
65641.W0016	16x32	Left	16	32	M16	108	89	45	40	16	32	32	1.0	1.2	288
65641.W0020	20x40	Left	20	40	M20	134	109	55	50	20	40	40	1.0	1.5	550



65645



Material

Stainless steel (1,4305 AISI 303).

standard.

Other Tolerances: For r_1 , radius or 45° beveling.

Technical Notes

Similar to DIN 71 752/DIN ISO 8140/CETOP

Tips

Standard is right hand thread, (For left hand see 65646).

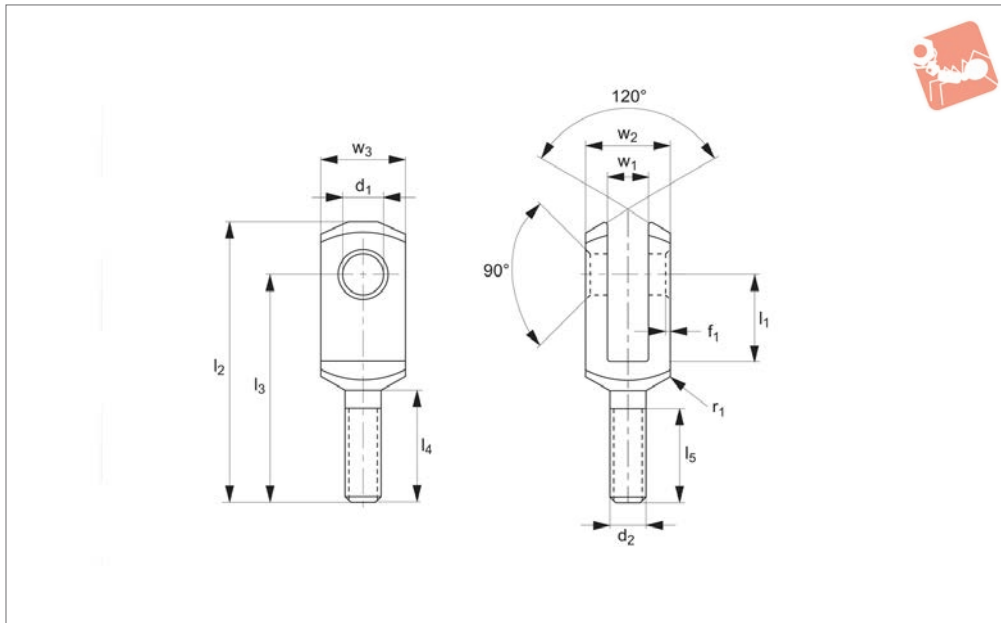
Order No.	Size	Thread hand	d_1 tol. H9	l_1 ± 0.5	d_2	l_2 ± 0.2	l_3 ± 0.4	l_4 ± 0.2	l_5	w_1 $+0.7 -0.15$	w_2 $+0.5 +0.2$	w_3 tol. h11	f_1 ± 0.2	r_1	Weight g
65645.W0006	6x12	Right	6	12	M 6	44	37	20	15	6	12	12	0.5	0.8	15
65645.W0008	8x16	Right	8	16	M 8	57	47	25	20	8	16	16	0.5	0.8	36
65645.W0010	10x20	Right	10	20	M10	69	57	30	25	10	20	20	0.5	0.8	68
65645.W0012	12x24	Right	12	24	M12	82	68	35	30	12	24	24	0.5	0.8	112
65645.W0014	14x28	Right	14	28	M14	94	78	40	35	14	27	27	1.0	1.2	171
65645.W0016	16x32	Right	16	32	M16	108	89	45	40	16	32	32	1.0	1.2	288
65645.W0020	20x40	Right	20	40	M20	134	109	55	50	20	40	40	1.0	1.5	550



Stainless Male Clevis Joints

left hand thread

Clevis Joints



65646

CLEVIS JOINTS

Material

Stainless steel (1,4305 AISI 303).

standard.

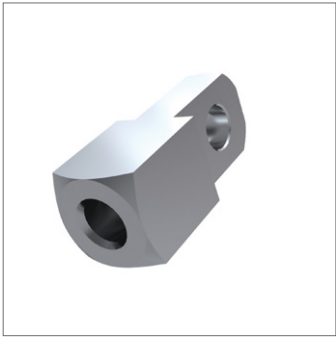
Technical Notes

Similar to DIN 71 752/DIN ISO 8140/CETOP

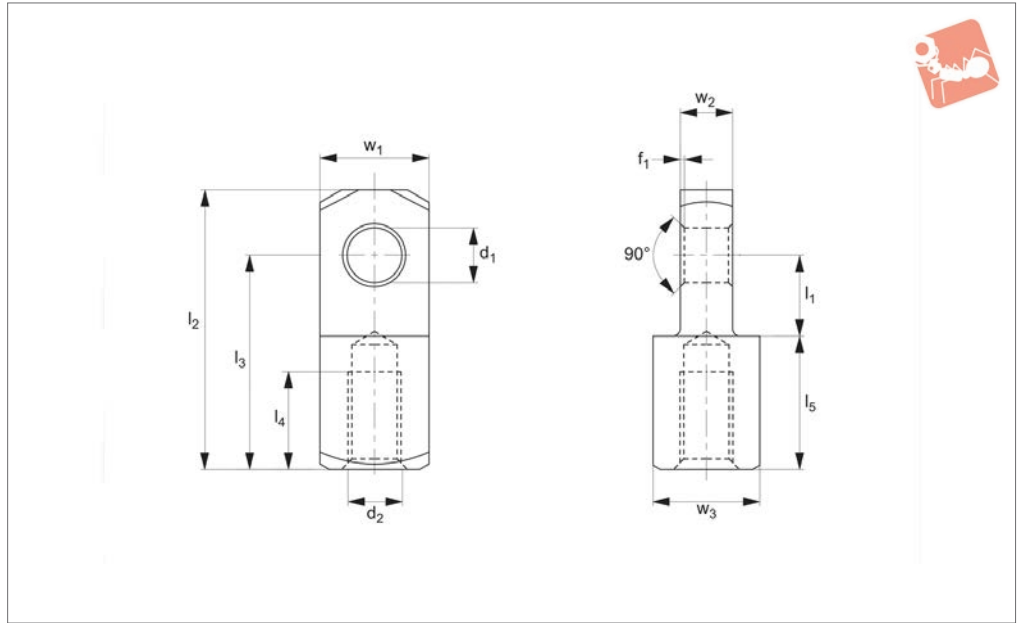
Tips

Other Tolerances: For r_1 , radius or 45° bevelling.

Order No.	Size	Thread hand	d_1 tol. H9	l_1 ± 0.5	d_2	l_2 ± 0.2	l_3 ± 0.4	l_4 ± 0.2	l_5	w_1 +0.7 -0.15	w_2 +0.5 +0.2	w_3 tol. h11	f_1 ± 0.2	r_1	Weight g
65646.W0006	6x12	Left	6	12	M6	44	37	20	15	6	12	12	0.5	0.8	15
65646.W0008	8x16	Left	8	16	M8	57	47	25	20	8	16	16	0.5	0.8	36
65646.W0010	10x20	Left	10	20	M10	69	57	30	25	10	20	20	0.5	0.8	68
65646.W0012	12x24	Left	12	24	M12	82	68	35	30	12	24	24	0.5	0.8	112
65646.W0014	14x28	Left	14	28	M14	94	78	40	35	14	27	27	1.0	1.2	171
65646.W0016	16x32	Left	16	32	M16	108	89	45	40	16	32	32	1.0	1.2	288
65646.W0020	20x40	Left	20	40	M20	134	109	55	50	20	40	40	1.0	1.5	550



65652



Material

Steel (1.0718), silver zinc plated.

Tips

Standard thread is right hand, (for left

hand thread, see 65653).

Thin end of mating piece is designed to fit in between forks of clevis joint.

Designed so thread size matches clevis

joint, (e.g. M5 mating piece will fit on M5 clevis joint).

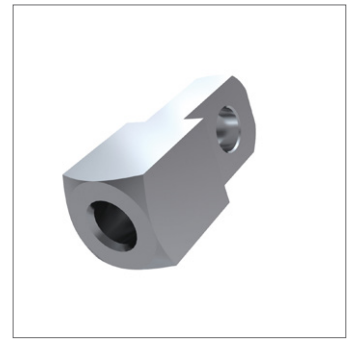
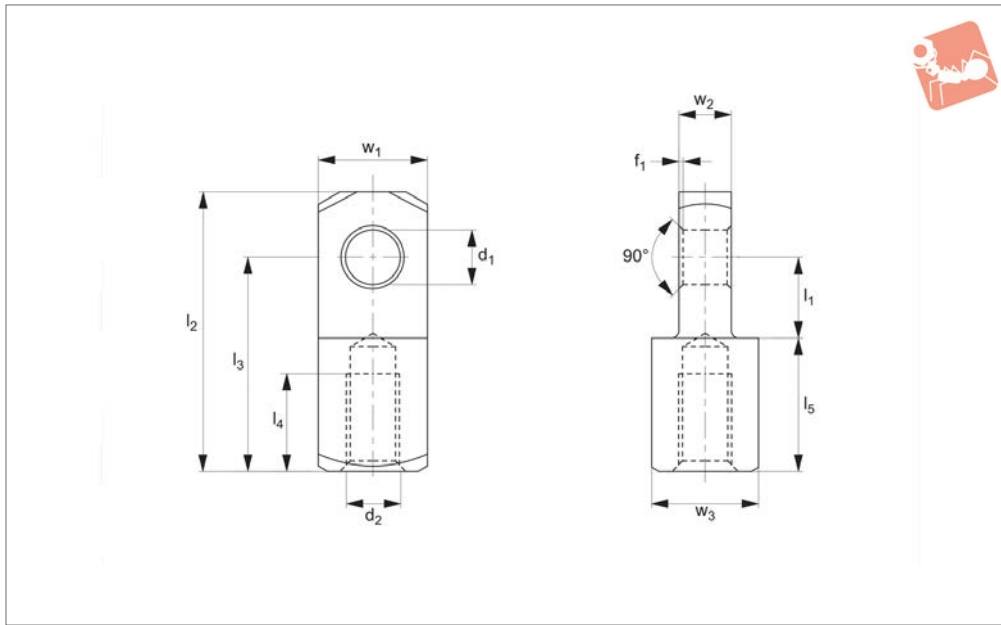
Order No.	Thread hand	Thread type	d ₁ tol. H9	l ₁ ±0.5	d ₂	l ₂ ±0.5	l ₃ ±0.5	l ₄	l ₅ ±0.2	w ₁ tol. h11	w ₂ -0,2	w ₃ tol. h11	f ₁ ±0.2	Weight g
65652.W0004	Right	Coarse	4	6.0	M4	21	16	6	10	8	4	8	0.5	6
65652.W0005	Right	Coarse	5	7.5	M5	26	20	8	12.5	10	5	10	0.5	12
65652.W0006	Right	Coarse	6	9.0	M6	31	24	11	15	12	6	12	0.5	21
65652.W0008	Right	Coarse	8	12.0	M8	42	32	14	20	16	8	16	0.5	51
65652.W0009	Right	Fine	8	12.0	M8x1	42	32	14	20	16	8	16	0.5	51
65652.W0010	Right	Coarse	10	15.0	M10	52	40	18	25	20	10	20	0.5	98
65652.W0011	Right	Fine	10	15.0	M10x1,25	52	40	18	25	20	10	20	0.5	98
65652.W0012	Right	Coarse	12	18.0	M12	62	48	22	30	24	12	24	0.5	168
65652.W0013	Right	Fine	12	18.0	M12x1,25	62	48	22	30	24	12	24	0.5	167
65652.W0014	Right	Coarse	14	21.0	M14	72	56	25	35	27	14	27	1.0	247
65652.W0015	Right	Fine	14	21.0	M14x1,5	72	56	25	35	27	14	27	1.0	245
65652.W0016	Right	Coarse	16	24.0	M16	83	64	30	40	32	16	32	1.0	397
65652.W0017	Right	Fine	16	24.0	M16x1,5	83	64	30	40	32	16	32	1.0	395
65652.W0020	Right	Coarse	20	30.0	M20	105	80	38	50	40	20	40	1.0	783
65652.W0021	Right	Fine	20	30.0	M20x1,5	105	80	38	50	40	20	40	1.0	776



Mating Piece for Clevis Joints

left hand thread - silver zinc plated

Clevis Joints



65653

CLEVIS JOINTS

Material

Steel (1.0718), silver zinc plated.

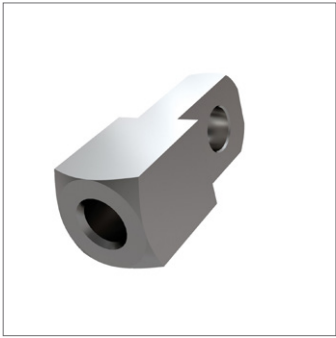
Tips

Thin end of mating piece is designed to fit

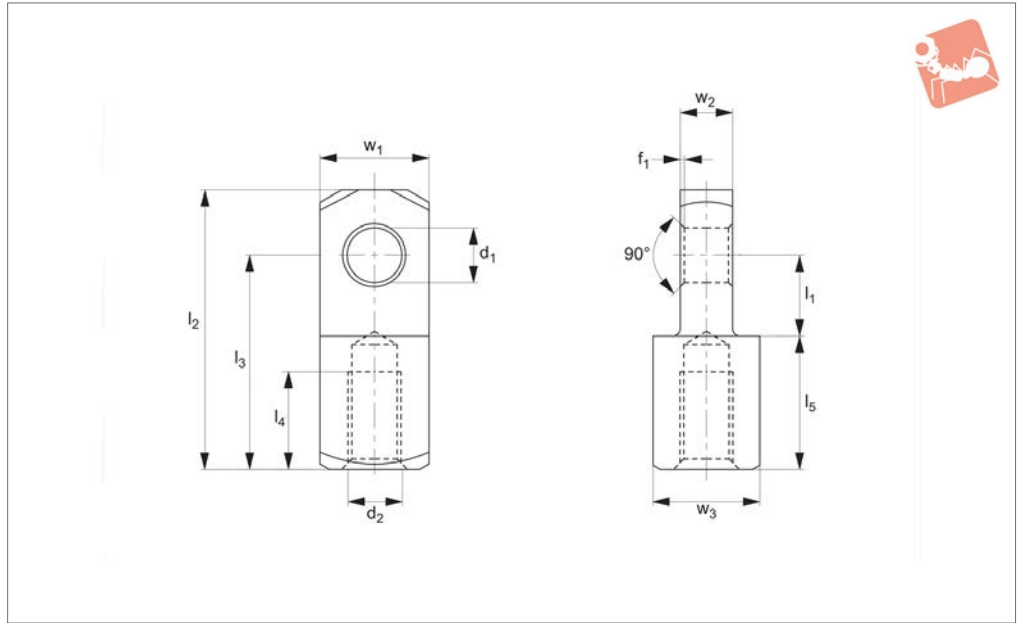
in between forks of clevis joint.

Designed so thread size matches clevis joint, (e.g. M5 mating piece will fit on M5 clevis joint).

Order No.	Thread hand	Thread type	d ₁ tol. H9	l ₁ ±0.5	d ₂	l ₂ ±0.5	l ₃ ±0.5	l ₄	l ₅ ±0.2	w ₁ tol. h11	w ₂ -0,2	w ₃ tol. h11	f ₁ ±0.2	Weight g
65653.W1004	Left	Coarse	4	6	M4	21	16	6	10.0	8	4	8	0.5	6
65653.W1005	Left	Coarse	5	7.5	M5	26	20	8	12.5	10	5	10	0.5	12
65653.W1006	Left	Coarse	6	9	M6	31	24	11	15.0	12	6	12	0.5	21
65653.W1008	Left	Coarse	8	12	M8	42	32	14	20.0	16	8	16	0.5	51
65653.W1009	Left	Fine	8	12	M8x1	42	32	14	20.0	16	8	16	0.5	51
65653.W1010	Left	Coarse	10	15	M10	52	40	18	25.0	20	10	20	0.5	98
65653.W1011	Left	Fine	10	15	M10x1,25	52	40	18	25.0	20	10	20	0.5	98
65653.W1012	Left	Coarse	12	18	M12	62	48	22	30.0	24	12	24	0.5	168
65653.W1013	Left	Fine	12	18	M12x1,25	62	48	22	30.0	24	12	24	0.5	167
65653.W1014	Left	Coarse	14	21	M14	72	56	25	35.0	27	14	27	1.0	247
65653.W1015	Left	Fine	14	21	M14x1,5	72	56	25	35.0	27	14	27	1.0	245
65653.W1016	Left	Coarse	16	24	M16	83	64	30	40.0	32	16	32	1.0	397
65653.W1017	Left	Fine	16	24	M16x1,5	83	64	30	40.0	32	16	32	1.0	395
65653.W1020	Left	Coarse	20	30	M20	105	80	38	50.0	40	20	40	1.0	783
65653.W1021	Left	Fine	20	30	M20x1,5	105	80	38	50.0	40	20	40	1.0	776



65656



Material

Stainless steel (AISI 303 1.4305).

hand thread see 65657).

Thin end of mating piece is designed to fit in between forks of clevis joint.

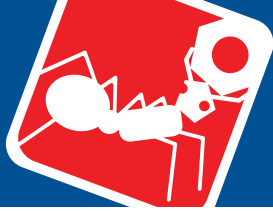
clevis joint).

Tips

Standard thread is right hand, (for left

joint, (e.g. M5 mating piece will fit on M5

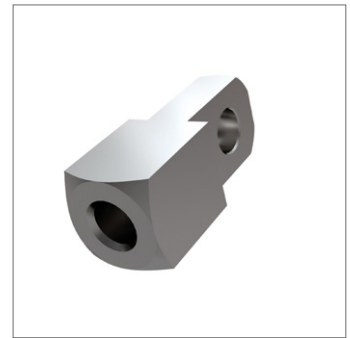
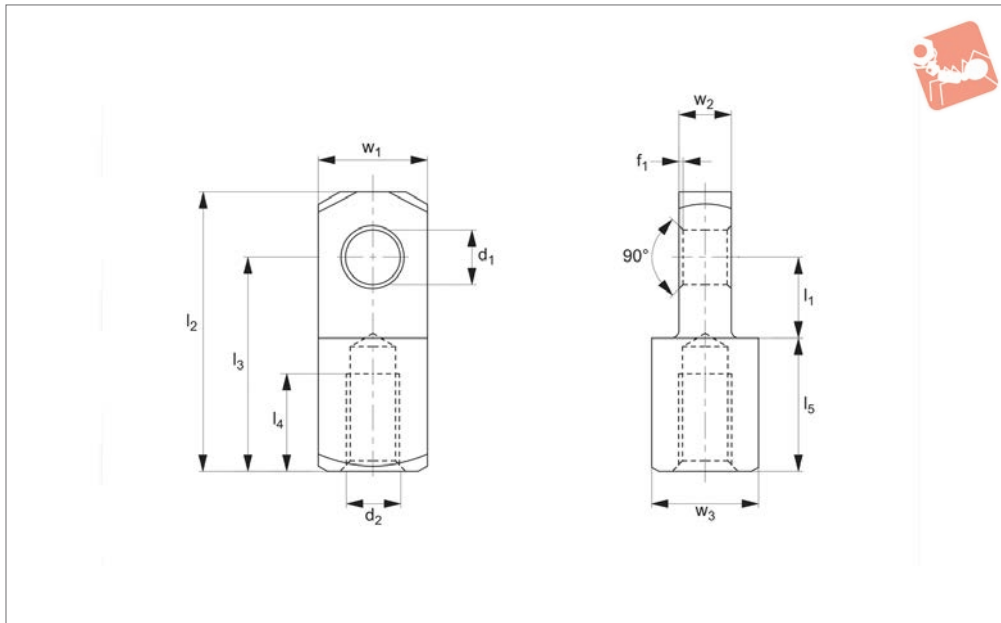
Order No.	Thread hand	Thread type	d ₁ tol. H9	l ₁ ±0.5	d ₂	l ₂ ±0.5	l ₃ ±0.5	l ₄	l ₅ ±0.2	w ₁ tol. h11	w ₂ -0,2	w ₃ tol. h11	f ₁ ±0.2	Weight g
65656.W0004	Right	Coarse	4	6	M4	21	16	6	10.0	8	4	8	0.5	6
65656.W0005	Right	Coarse	5	7.5	M5	26	20	8	12.5	10	5	10	0.5	12
65656.W0006	Right	Coarse	6	9	M6	31	24	11	15.0	12	6	12	0.5	21
65656.W0008	Right	Coarse	8	12	M8	42	32	14	20.0	16	8	16	0.5	51
65656.W0009	Right	Fine	8	12	M8x1	42	32	14	20.0	16	8	16	0.5	51
65656.W0010	Right	Coarse	10	15	M10	52	40	18	25.0	20	10	20	0.5	98
65656.W0011	Right	Fine	10	15	M10x1,25	52	40	18	25.0	20	10	20	0.5	98
65656.W0012	Right	Coarse	12	18	M12	62	48	22	30.0	24	12	24	0.5	168
65656.W0013	Right	Fine	12	18	M12x1,25	62	48	22	30.0	24	12	24	0.5	167
65656.W0014	Right	Coarse	14	21	M14	72	56	25	35.0	27	14	27	1.0	247
65656.W0015	Right	Fine	14	21	M14x1,5	72	56	25	35.0	27	14	27	1.0	245
65656.W0016	Right	Coarse	16	24	M16	83	64	30	40.0	32	16	32	1.0	397
65656.W0017	Right	Fine	16	24	M16x1,5	83	64	30	40.0	32	16	32	1.0	395
65656.W0020	Right	Coarse	20	30	M20	105	80	38	50.0	40	20	40	1.0	783
65656.W0021	Right	Fine	20	30	M20X1,5	105	80	38	50.0	40	20	40	1.0	776



Stainless Mating Piece for Clevis

left hand thread

Clevis Joints



65657

CLEVIS JOINTS

Material

Stainless steel (AISI 303 1.4305).

Tips

Thin end of mating piece is designed to fit

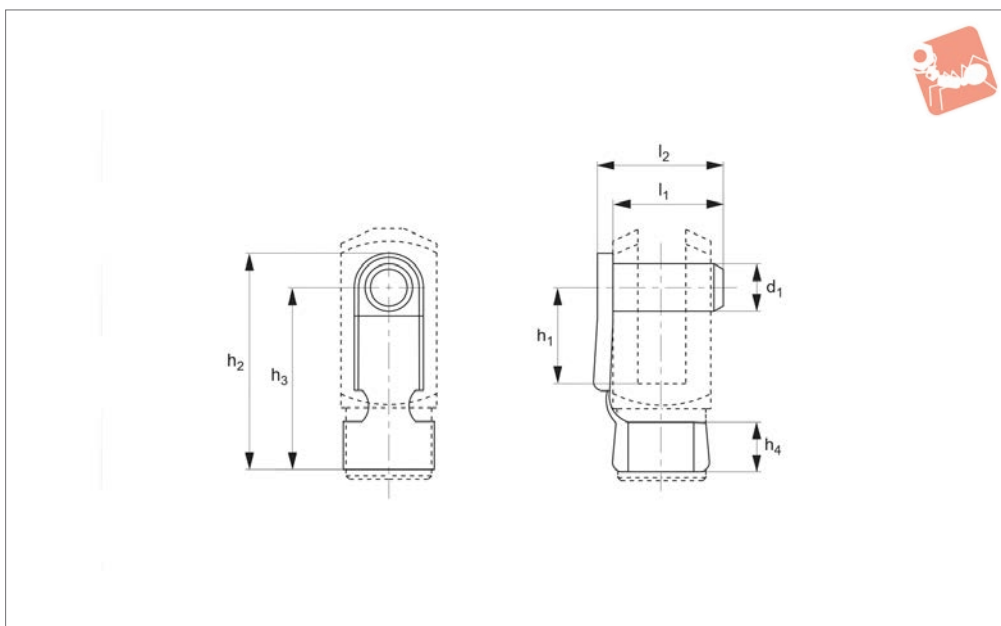
in between forks of clevis joint.

Designed so thread size matches clevis joint, (e.g. M5 mating piece will fit on M5 clevis joint).

Order No.	Thread hand	Thread type	d ₁ tol. H9	l ₁ ±0.5	d ₂	l ₂ ±0.5	l ₃ ±0.5	l ₄	l ₅ ±0.2	w ₁ tol. h11	w ₂ -0,2	w ₃ tol. h11	f ₁ ±0.2	Weight g
65657.W0004	Left	Coarse	4	6	M4	21	16	6	10.0	8	4	8	0.5	6
65657.W0005	Left	Coarse	5	7.5	M5	26	20	8	12.5	10	5	10	0.5	12
65657.W0006	Left	Coarse	6	9	M6	31	24	11	15.0	12	6	12	0.5	21
65657.W0008	Left	Coarse	8	12	M8	42	32	14	20.0	16	8	16	0.5	51
65657.W0009	Left	Fine	8	12	M8x1	42	32	14	20.0	16	8	16	0.5	51
65657.W0010	Left	Coarse	10	15	M10	52	40	18	25.0	20	10	20	0.5	98
65657.W0011	Left	Fine	10	15	M10x1,25	52	40	18	25.0	20	10	20	0.5	98
65657.W0012	Left	Coarse	12	18	M12	62	48	22	30.0	24	12	24	0.5	168
65657.W0013	Left	Fine	12	18	M12x1,25	62	48	22	30.0	24	12	24	0.5	167
65657.W0014	Left	Coarse	14	21	M14	72	56	25	35.0	27	14	27	1.0	247
65657.W0015	Left	Fine	14	21	M14x1,5	72	56	25	35.0	27	14	27	1.0	245
65657.W0016	Left	Coarse	16	24	M16	83	64	30	40.0	32	16	32	1.0	397
65657.W0017	Left	Fine	16	24	M16x1,5	83	64	30	40.0	32	16	32	1.0	395
65657.W0020	Left	Coarse	20	30	M20	105	80	38	50.0	40	20	40	1.0	783
65657.W0021	Left	Fine	20	30	M20x1,5	105	80	38	50.0	40	20	40	1.0	776



65684



Material

Pin - steel (9SMnPb28), spring - carbon steel C70, silver zinc plated.

Tips

Clips on to base of clevis joint, for clevis joint see part numbers 65630 and 65631.

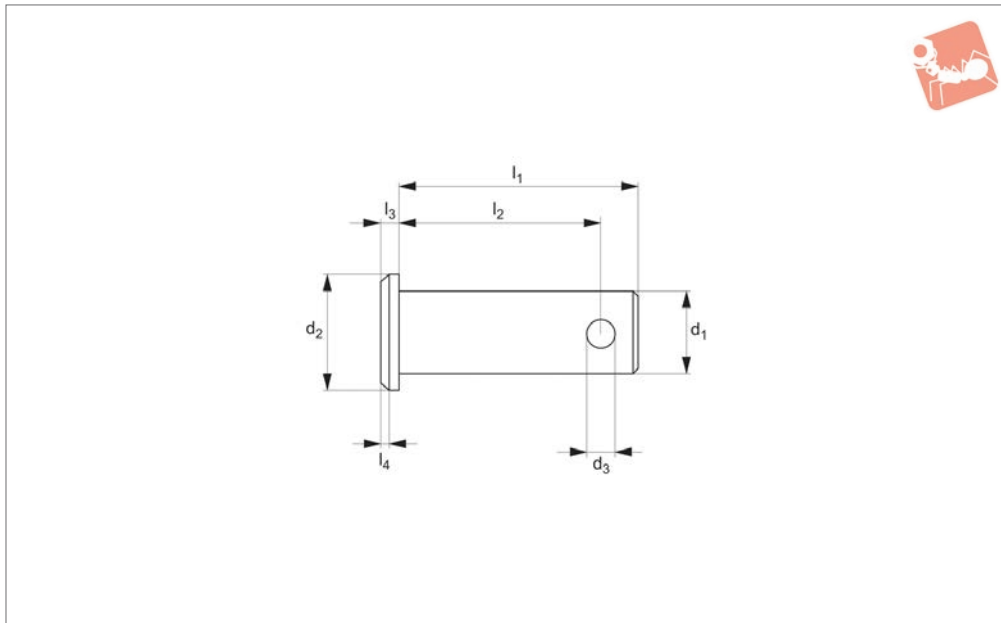
Order No.	Size	d ₁ tol. H11	h ₁	h ₂	h ₃	h ₄	l ₁	l ₂	Weight g
65684.W0048	4x8	4	8	19	15	4	9	11	2
65684.W0051	5x10	5	10	23	19	4.5	12	14	3
65684.W0052	5x20	5	20	33	29	4.5	12	14	3
65684.W0061	6x12	6	12	28	23	6	14	16	5
65684.W0062	6x24	6	24	40	35	6	14	16	5
65684.W0081	8x16	8	16	37	31	8	19	23	11
65684.W0083	8x32	8	32	53	47	8	19	23	12
65684.W0102	10x20	10	20	46	39	10	23	27	19
65684.W0104	10x40	10	40	66	59	10	23	27	20
65684.W0122	12x24	12	24	55	46	12	28	32	32
65684.W0124	12x48	12	48	79	71	12	28	32	34
65684.W0142	14x28	14	28	62	52	14	31	34	47
65684.W0145	14x56	14	56	92	82	14	31	34	50
65684.W0163	16x32	16	32	72	62	16	36	41	67
65684.W0166	16x64	16	64	103	92	16	36	39	74
65684.W0204	20x40	20	40	88	72	16	44	49	130



Steel Clevis Pin With Hole

steel - zinc-plated

Clevis Joints



65660

CLEVIS JOINTS

Material

Sizes 5-14 steel 1,0214 (QST 36-3).
 Sizes 16-50 steel (1,0718 11SMnPb30+C).
 Zinc-plated.

Tips

For use with clevis joints 65630 and 65631,
 for split cotter pins to suit see part number
 65674.
 For washers see part number P0330-ZP.

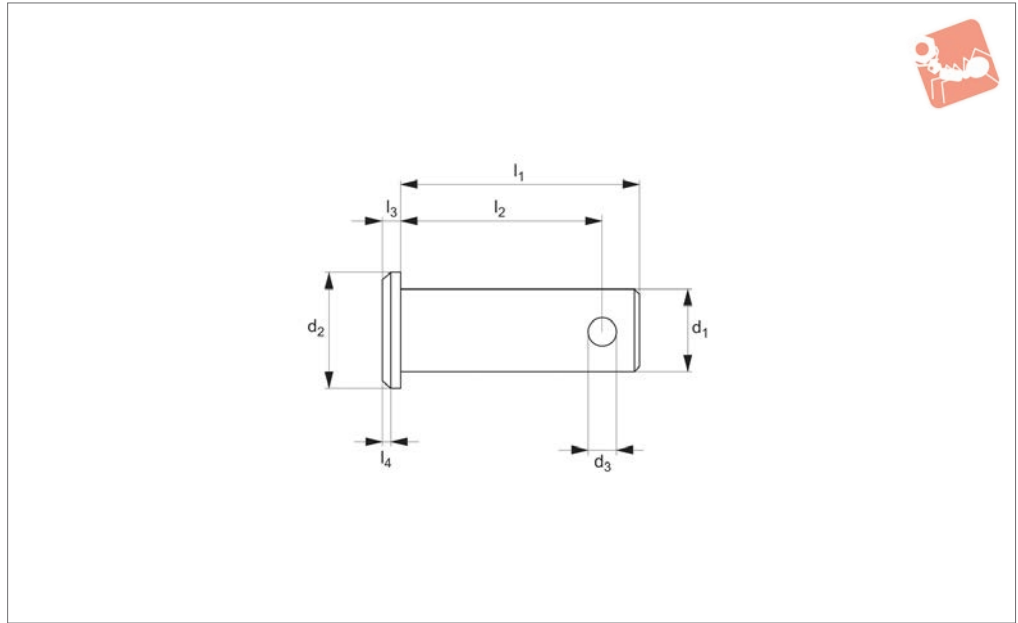
Technical Notes

Designed for use with clevis joints.

Order No.	d_1 tol. h11	d_2 tol. h14	d_3 tol. h14	l_1 tol. js15	l_2 +0.5	l_3 tol. js14	l_4	Weight g
65660.W0105	5	8	1.0	15	12.3	1.5	0.5	2.6
65660.W0106	6	9	1.6	18	15.3	1.5	0.5	4.6
65660.W0108	8	12	2.0	23	19.5	2.0	1.0	10.0
65660.W0110	10	14	3.2	29	24.5	2.0	1.0	19.0
65660.W0112	12	17	4.0	35	29.5	3.0	1.5	34.0
65660.W0114	14	19	4.0	40	32.5	3.0	1.5	53.0
65660.W0116	16	20	4.0	45	38.2	3.5	1.5	72.0
65660.W0118	18	25	5.0	50	43.5	3.5	1.5	104.0
65660.W0120	20	28	5.0	53	47.0	4.0	1.5	139.0
65660.W0125	25	34	6.3	67	59.0	5.5	1.5	266.0
65660.W0128	28	34	6.3	72	63.2	5.5	2.0	361.0
65660.W0130	30	36	6.3	77	68.2	5.5	2.0	428.0
65660.W0135	35	45	8.0	87	76.5	7.0	2.0	677.0
65660.W0140	40	48	8.0	100	90.0	6.0	5.0	1035.0
65660.W0142	42	48	8.0	100	90.0	7.0	5.0	1151.0
65660.W0150	50	58	10.0	115	103.0	7.0	6.0	1846.0



65661



Material

Stainless steel (1.4305, X8CrNiS18-9), for sizes 6-8: stainless steel (1.4567, X3CrNiCu18-9-4).

Tips

For use with clevis joints 65635 and 65636, for split cotter pins to suit see part number 65675.

For washers see part number 65671.

Technical Notes

Designed for use with clevis joints.

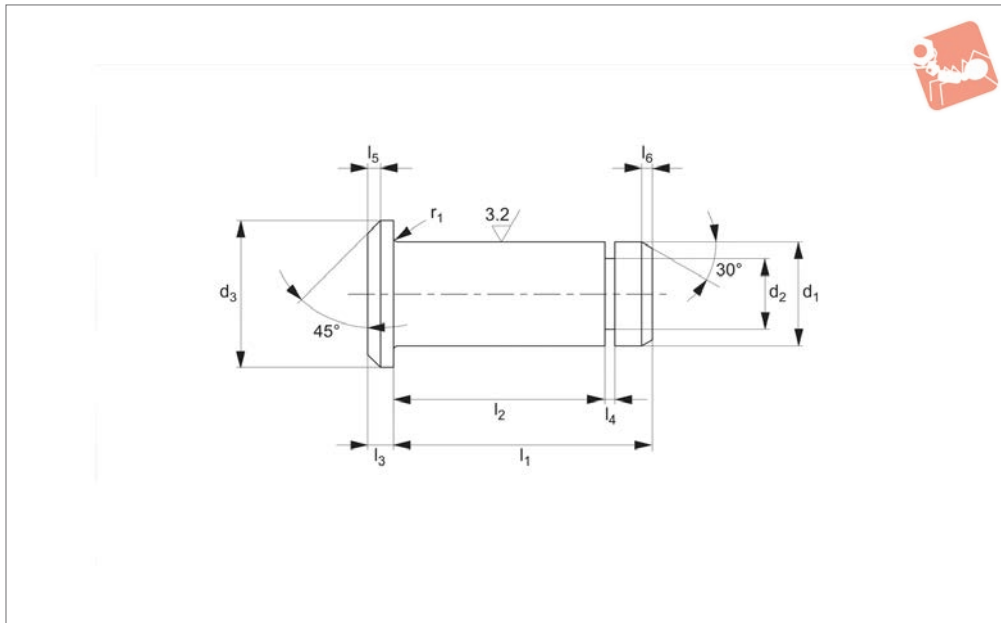
Order No.	d ₁ tol. h11	d ₂ tol. h14	d ₃ tol. h14	l ₁ tol. js15	l ₂ +0.5	l ₃ tol. js14	l ₄	Weight g
65661.W0005	5	8	1.2	15	12.3	1.5	0.5	2.6
65661.W0006	6	9	1.6	18	15.3	1.5	0.5	4.6
65661.W0008	8	12	2.0	23	19.5	2.0	1.0	10.0
65661.W0010	10	14	3.2	29	24.5	2.0	1.0	19.0
65661.W0012	12	17	4.0	35	29.5	3.0	1.5	34.0
65661.W0014	14	19	4.0	40	32.5	3.0	1.5	53.0
65661.W0016	16	21	4.0	45	38.2	3.0	-	73.0
65661.W0020	20	28	5.0	53	47.0	4.0	-	139.0
65661.W0025	25	34	6.3	67	59.0	5.5	-	266.0



Clevis Pin

silver zinc plated

Clevis Joints



65664

CLEVIS JOINTS

Material

Steel (9SMnPb28), silver zinc plated.

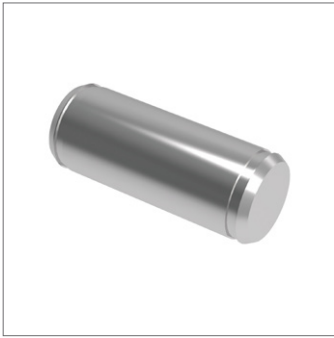
Tips

For safety fasteners, see 65680-.

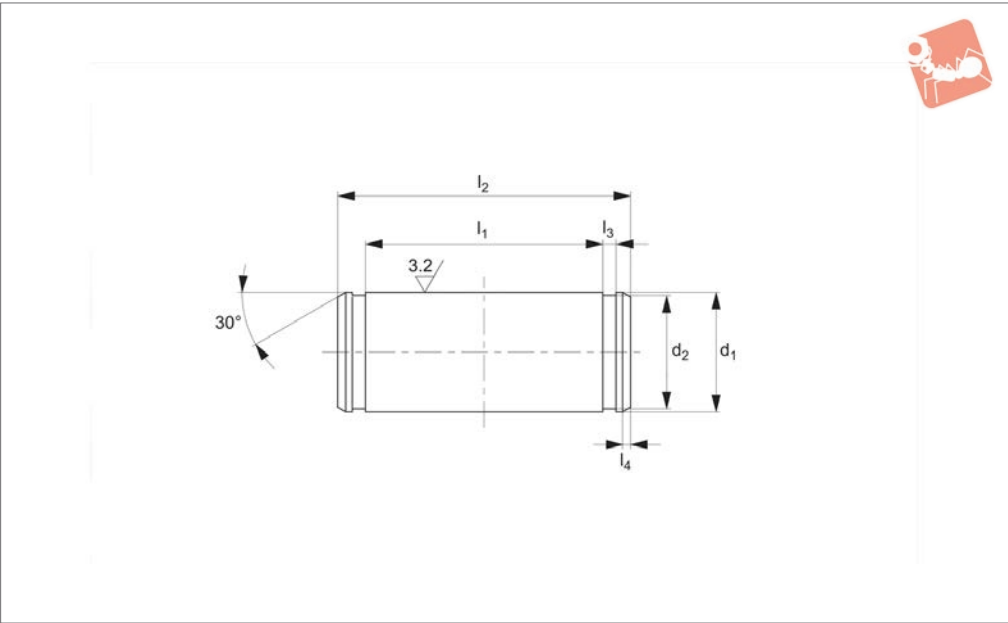
Technical Notes

Designed for use with clevis joints.

Order No.	d_1 tol. h11	d_2 tol. h11	d_3 tol. h12	l_1	l_2 +0.30	l_3 tol. js14	l_4 +0.10	l_5	l_6	R	Weight g
65664.W0104	4	3.2	6	10.5	8.5	1.0	0.64	0.5	0.5	0.3	2
65664.W0105	5	4.0	8	13.0	10.5	1.5	0.74	0.5	0.5	0.5	3
65664.W0106	6	5.0	9	15.5	12.5	1.5	0.74	0.5	0.75	0.5	4
65664.W0108	8	6.0	12	20.0	16.5	2.0	0.94	1.0	1.0	0.5	9
65664.W0110	10	8.0	14	25.0	20.5	2.0	1.05	1.0	1.0	0.5	17
65664.W0112	12	9.0	17	30.0	24.5	3.0	1.15	1.25	1.25	0.5	30
65664.W0114	14	10.0	19	33.0	27.5	3.0	1.25	1.5	1.5	1.0	48
65664.W0116	16	12.0	20	38.5	32.5	3.0	1.35	1.5	1.5	1.0	67
65664.W0120	20	17.5	26	46.0	40.5	4.0	1.8	2.0	1.5	1.0	125
65664.W0125	25	18.0	32	57.0	50.5	5.0	1.8	2.0	1.5	1.0	260



65666



Material

Stainless steel (AISI 303).

Technical Notes

For use with 65635-65636 clevis joints and 65678 circlips.

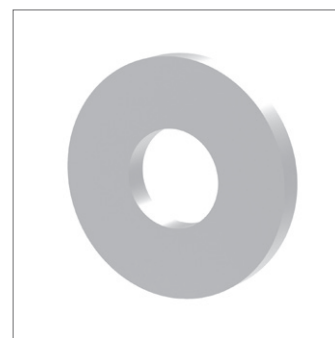
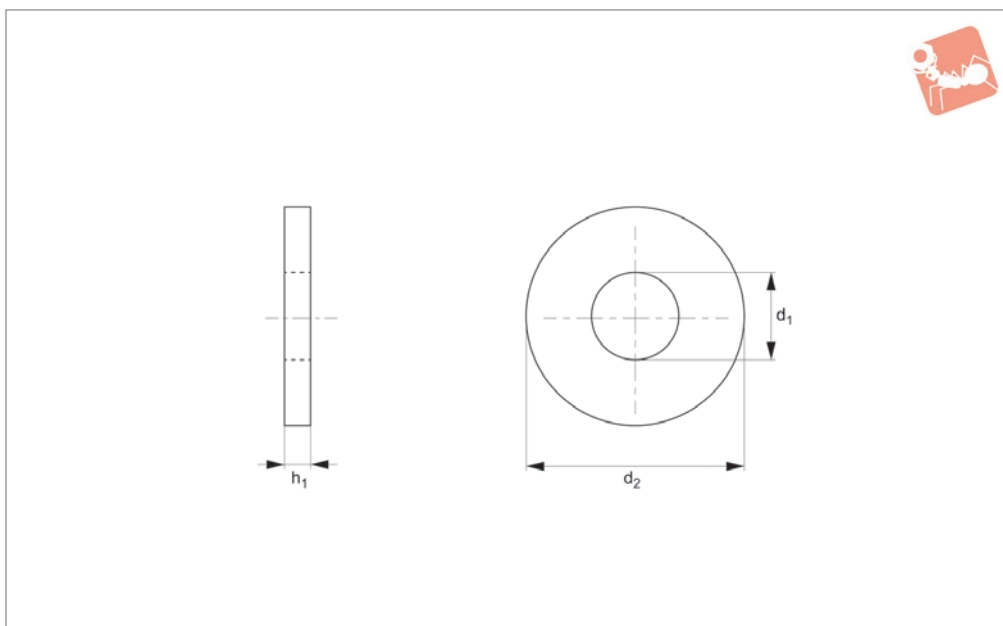
Order No.	d_1 tol. h11	d_2 tol. h11	l_1 +0.30	l_2 +0.40	l_3 tol. h13	l_4	Weight g
65666.W0005	5	4.8	10.5	15	0.7	1	3
65666.W0006	6	5.7	12.2	17	0.8	1	5
65666.W0008	8	7.6	16.5	20	0.9	1	8
65666.W0010	10	9.6	20.5	25	1.1	1	15
65666.W0012	12	11.5	24.5	30	1.1	1	26
65666.W0016	16	15.2	32.5	39	1.1	1	61
65666.W0020	20	19.0	40.5	48	1.3	1	118



Flat Washers Form A

Steel, zinc-plated

Clevis Joints



65670

CLEVIS JOINTS

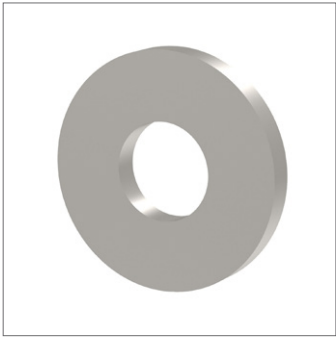
Material

Steel, zinc-plated.

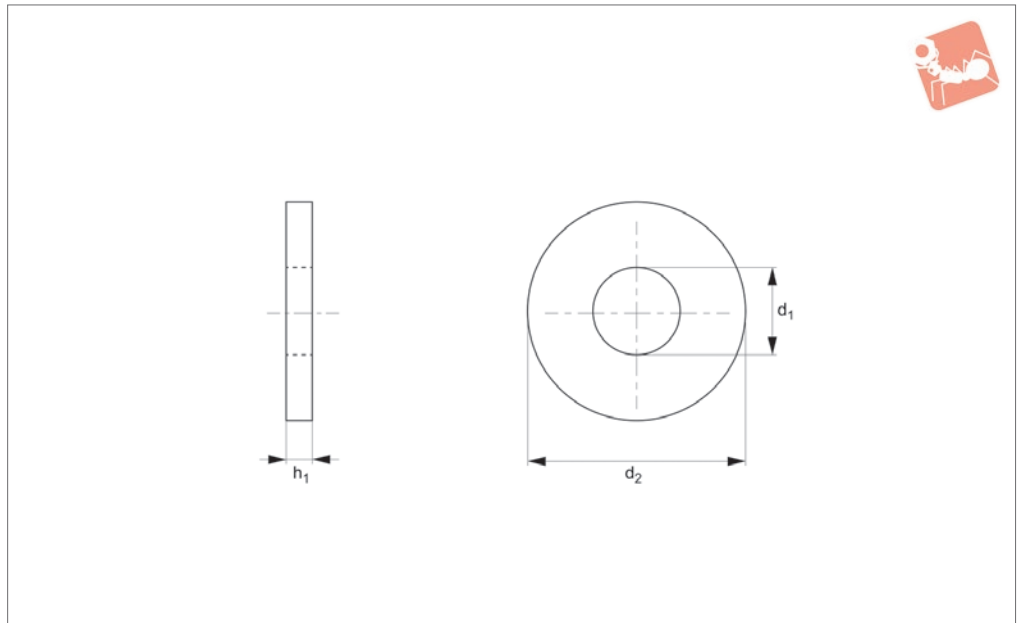
Technical Notes

To DIN 125 A.

Order No.	For thread	d_1	d_2	h_1	Material
65670.W0004	M 4	4.3	9	0.8	Steel ZP
65670.W0005	M 5	5.3	10	1.0	Steel ZP
65670.W0006	M 6	6.4	12	1.6	Steel ZP
65670.W0007	M 7	7.4	14	1.6	Steel ZP
65670.W0008	M 8	8.4	16	1.6	Steel ZP
65670.W0010	M10	10.5	20	2.0	Steel ZP
65670.W0012	M12	13.0	24	2.5	Steel ZP
65670.W0014	M14	15.0	28	2.5	Steel ZP
65670.W0016	M16	17.0	30	3.0	Steel ZP
65670.W0018	M18	19.0	34	3.0	Steel ZP
65670.W0020	M20	21.0	37	3.0	Steel ZP
65670.W0022	M22	23.0	39	3.0	Steel ZP
65670.W0025	M24	25.0	44	4.0	Steel ZP
65670.W0028	M27	28.0	50	4.0	Steel ZP
65670.W0030	M30	31.0	56	4.0	Steel ZP



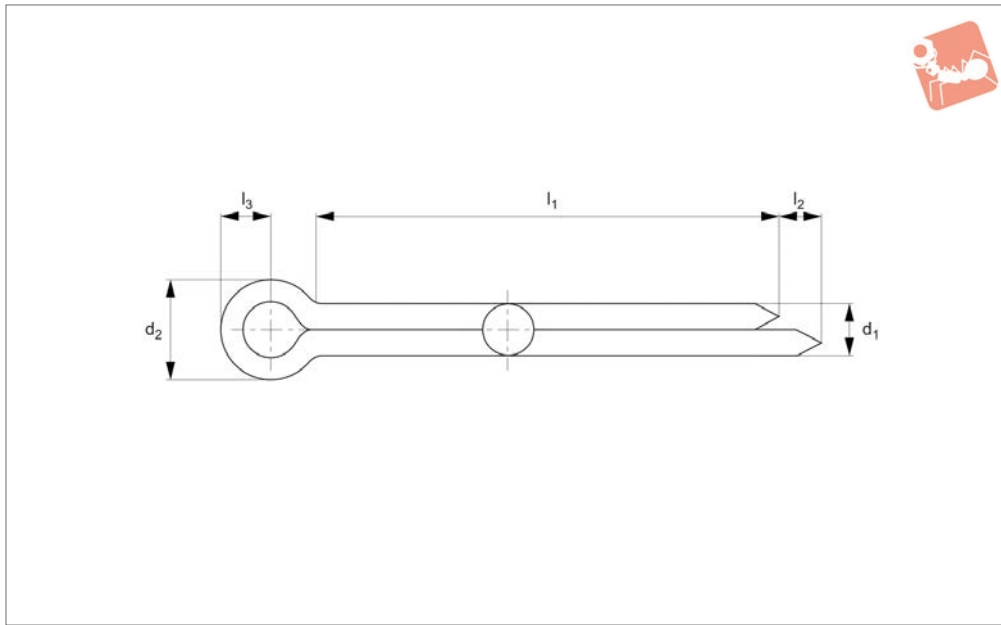
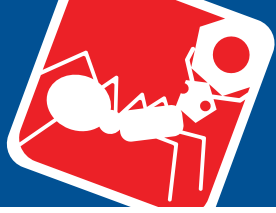
65671



Material
Stainless steel (A2).

Technical Notes
To DIN 125 A.

Order No.	For thread	d_1	d_2	h_1	Material
65671.W0004	M 4	4.3	9	0.8	A2 s/s
65671.W0005	M 5	5.3	10	1.0	A2 s/s
65671.W0006	M 6	6.4	12	1.6	A2 s/s
65671.W0007	M 7	7.4	14	1.6	A2 s/s
65671.W0008	M 8	8.4	16	1.6	A2 s/s
65671.W0010	M10	10.5	20	2.0	A2 s/s
65671.W0012	M12	13.0	24	2.5	A2 s/s
65671.W0014	M14	15.0	28	2.5	A2 s/s
65671.W0016	M16	17.0	30	3.0	A2 s/s
65671.W0020	M20	21.0	37	3.0	A2 s/s
65671.W0025	M24	25.0	44	4.0	A2 s/s



65674

CLEVIS JOINTS

Material

Mild steel (zinc-plated).

pins require a loose fit, and as a result the metric versions can also be for inch sizes.

H14 (under this diameter recommended tolerance is H13).

Technical Notes

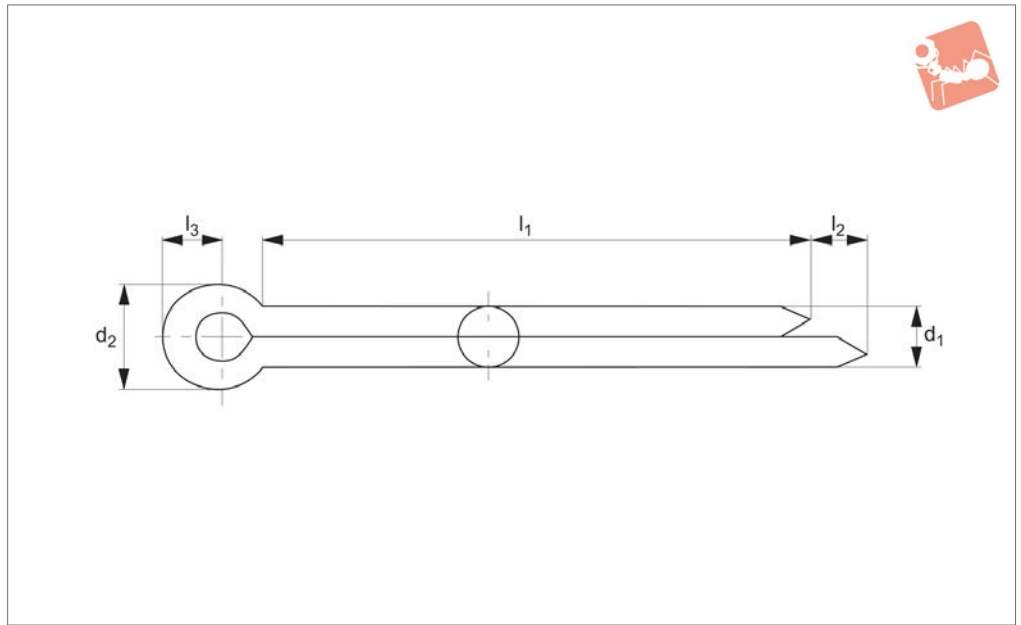
To DIN 94 (equivalent to ISO 1234). Cotter

Recommended hole tolerance for d_1 1,6 is

Order No.	d_1 nom.	d_1 min.	d_1 max.	d_2 max.	l_1	l_2 max.	l_3 ≈
65674.W0010	1	0.8	0.9	1.8	10	1.6	3
65674.W0016	1.6	1.3	1.4	2.8	18	2.5	3.2
65674.W0020	2	1.7	1.8	3.6	18	2.5	4.0
65674.W0032	3.2	2.7	2.9	5.8	22	3.2	6.4
65674.W0040	4	3.5	3.7	7.4	28	4.0	8.0
65674.W0050	5	4.4	4.6	9.2	50	4.0	10.0
65674.W0060	6	5.7	5.9	11.8	71	4.0	12.6
65674.W0080	8	7.3	7.5	15	112	4.0	16.0
65674.W0100	10	9.3	9.5	19	112	6.3	20.0



65675



Material

Stainless steel (A2, AISI 303).

pins require a loose fit, and as a result the metric versions can also be for inch sizes.

Technical Notes

To DIN 94 (equivalent to ISO 1234). Cotter

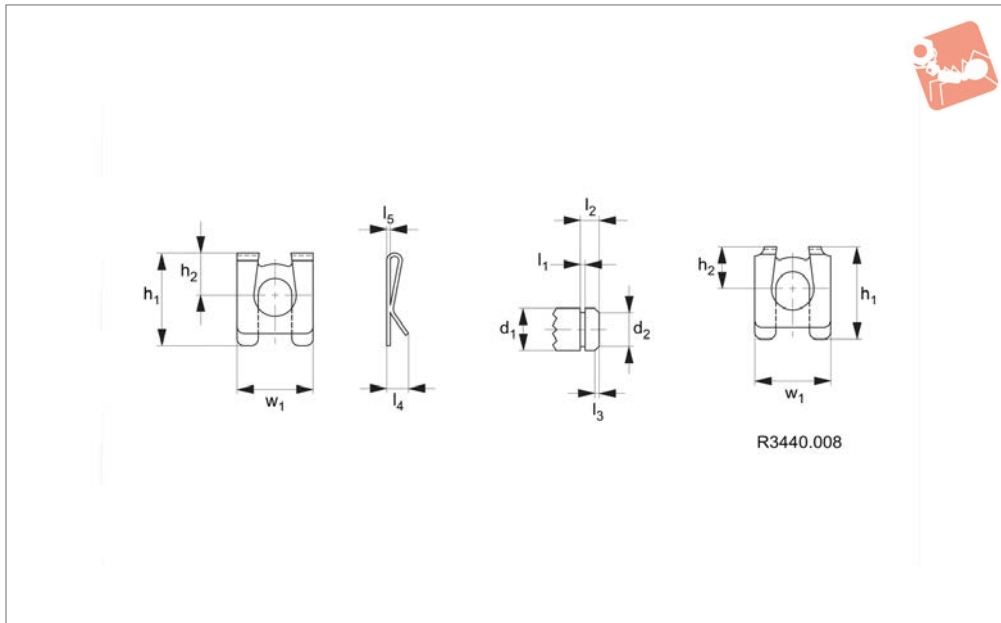
Order No.	d_1 nom.	d_2 max.	l_1	l_2 max.	l_3 \approx
65675.W1010	1	1.8	10	1.6	3.0
65675.W1018	1.6	2.8	18	2.5	3.2
65675.W2018	2	3.6	18	2.5	4.0
65675.W3022	3.2	5.8	22	3.2	6.4
65675.W4028	4	7.4	28	4.0	8.0
65675.W5050	5	9.2	50	4.0	10
65675.W6071	6.3	11.8	71	4.0	12.6



Safety Fastener (SLM)

silver zinc plated

Clevis Joints



65680

R3440.008

CLEVIS JOINTS

Material

Spring steel, silver zinc plated, hardened and annealed 1450 to 1600°C N/mm².

Tips

Easily assembled and removed by hand

without special tools, compatible with clevis pins.

Safety lip prevents accidental removal.

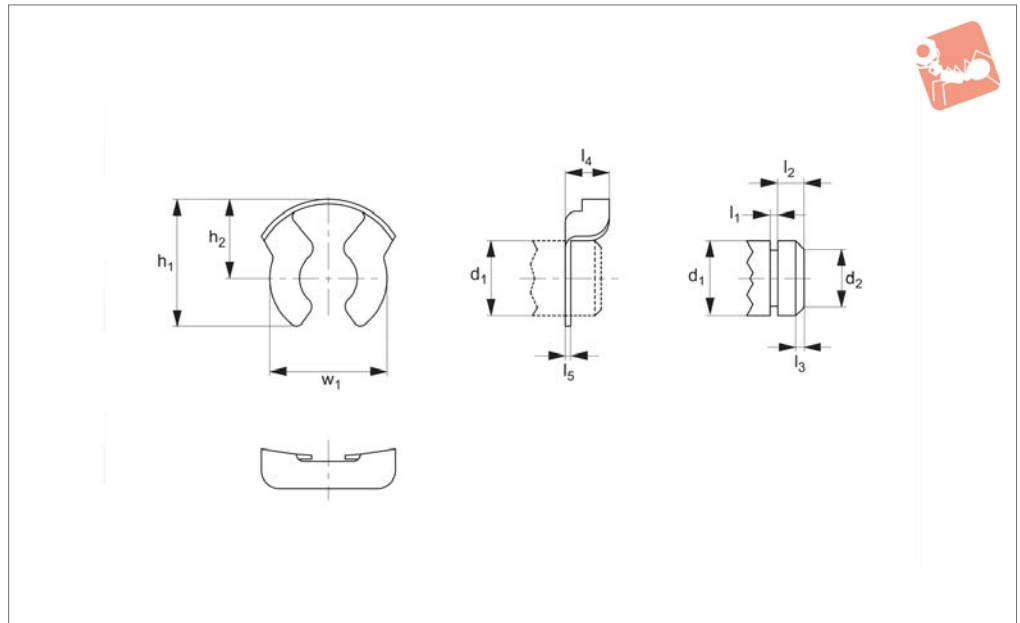
Assembly ,rattle' is eliminated by the fasteners concave back holding the clevis

pin under tension.

Order No.	d ₁ tol. h11	d ₂ tol. h11	h ₁	h ₂	l ₁ +0.1	l ₂	l ₃	l ₄	l ₅	w ₁	Axial thrust kN max.	Weight g
65680.W0004	4	3.2	8.5	4.0	0.64	2.0	0.5	2.3	0.3	7	1.00	0.19
65680.W0005	5	4.0	10.7	5.0	0.74	2.5	0.5	3.3	0.4	9	1.30	0.34
65680.W0006	6	5.0	14.1	6.0	0.74	3.0	0.75	3.8	0.4	11	1.50	0.63
65680.W0008	8	6.0	17.5	8.0	0.94	3.5	1.0	4.0	0.5	14	3.60	1.10
65680.W0010	10	8.0	22.1	10.0	1.05	4.5	1.0	5.0	0.5	18	6.40	2.11
65680.W0012	12	9.0	26.0	12.0	1.15	5.0	1.25	5.0	0.5	22	9.60	2.80
65680.W0014	14	10.0	30.0	13.5	1.25	5.5	1.5	6.0	0.6	25	11.32	4.74
65680.W0016	16	12.0	34.0	16.0	1.35	6.0	1.5	6.0	0.6	28	13.50	5.63



65682



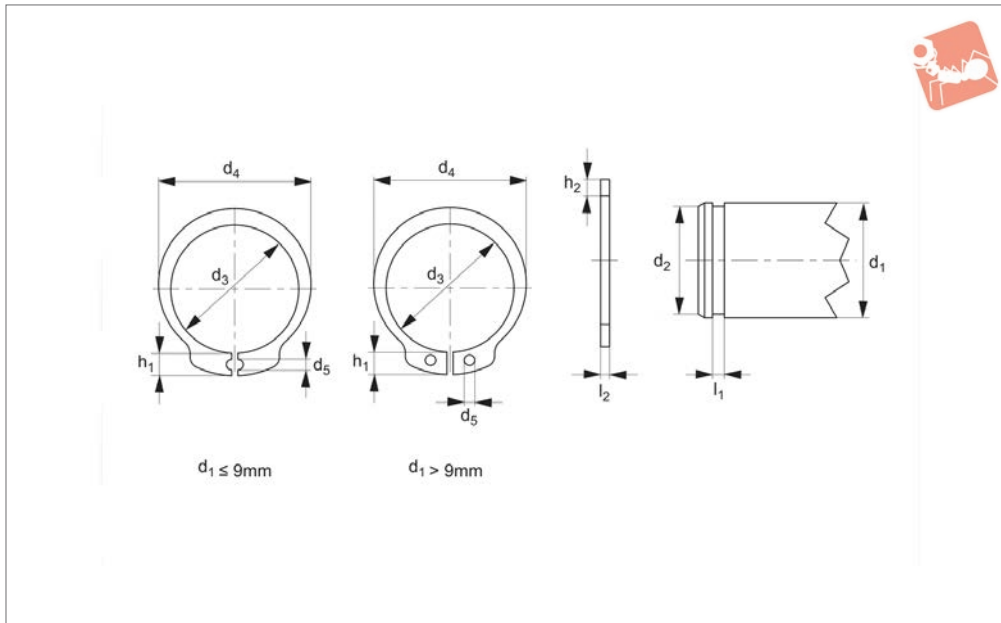
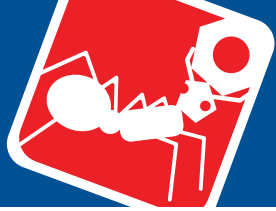
Material

Steel, silver zinc plated.

Tips

Easily assembled and removed by hand without special tools.

Order No.	d ₁ tol. h11	d ₂ tol. h11	h ₁	h ₂	l ₁ +0.10	l ₂	l ₃	l ₄	l ₅	w	Axial force kN max.
65682.W0004	4	3.2	7.2	4.3	0.64	2.0	0.5	2.8	0.4	6.6	1.50
65682.W0005	5	4.0	8.4	5.2	0.74	2.5	0.5	2.8	0.5	7.5	3.00
65682.W0006	6	5.0	11.25	6.8	0.74	3.0	0.75	3.5	0.5	10.6	4.85
65682.W0008	8	6.0	11.9	7.4	0.94	3.5	1.0	4.5	0.5	11.5	5.50
65682.W0010	10	8.0	16.3	9.5	1.05	4.5	1.0	5.9	0.6	15.5	9.50
65682.W0012	12	9.0	18.0	10.5	1.15	5.5	1.25	6.2	0.6	16.8	10.70
65682.W0014	14	10.0	20.0	12.2	1.25	5.5	1.5	6.8	0.7	19.2	12.70
65682.W0016	16-18	12.0	24.0	14.3	1.35	5.5-6.0	1.5	7.6	0.8	22.7	14.00



65678

CLEVIS JOINTS

Material

Stainless steel (AISI 303).

Technical Notes

To DIN 471, for use with 65666 clevis pins and 65635-65636 clevis joints.

Order No.	d ₁	d ₂	d ₃	d ₄	d ₅ min.	h ₁	h ₂	l ₁	l ₂
65678.W0005	5	4.8	3.7	6.2	1.0	2.5	1.1	0.7	0.6
65678.W0006	6	5.7	5.6	7.5	1.15	2.7	1.3	0.8	0.7
65678.W0010	10	9.6	9.3	12.7	1.7	3.3	1.8	1.1	1.0
65678.W0012	12	11.5	11.0	7.7	1.7	3.3	1.8	1.1	1.0
65678.W0016	16	15.2	14.7	12.2	1.7	3.7	2.2	1.1	1.0
65678.W0020	20	19.0	18.5	16.2	2.0	4.0	2.6	1.3	1.2