

## 65610

CLEVIS JOINTS

### Material

Stainless steel (1.4305 AISI 303 X8CrNiS18-9)

### Technical Notes

M5-M16: DIN 71 752/DIN ISO 8140.  
M20-M24: Similar to DIN 71 752 and according to CETOP standard.

### Tips

Standard thread is right hand (for left

hand, see 65612).

Assembly is made up using 65635 clevis joint, 65661 pin, P0330 washer, and 65675 split cotter pin.

### Important Notes

For sizes M5-M12,  $f_1$  and  $r_1 = 0,5$ , for sizes M14-M16,  $f_1$  and  $r_1 = 1$   
For size M20,  $f_1=1$ ,  $r_1 = 1,5$ , for M24,  $f_1$  and

$r_1 = 1,5$ , for  $r_1$ , radius or 45° bevelling.

Other Tolerances:-

$w_4$ : M4-M16 = +0,3 -0,16

M20-M24 = +0,5 - 0,2

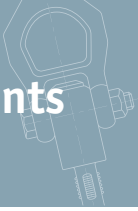
$w_2$ : Size 4x8-10x20 = B13

Size 10x40-25x50 = +0,7 +0,15

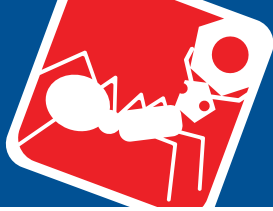
$l_3$ : up to size 6x12 = ±0,3

From size 6x24 = ±0,4

Order No.	Size	Thread hand	Thread type	$d_1$ tol. H9	$l_1$ ±0.5	$d_2$	$d_3$	$l_2$ ±0.5	$l_3$	$l_4$	$w_1$ ±0.5	$w_2$	$w_3$ tol. h11	$w_4$	Weight g
65610.W0051	5x10	Right	Coarse	5	10	M5	9	26	20	7.5	5	5	10	10	9
65610.W0052	5x20	Right	Coarse	5	20	M5	9	36	30	7.5	5	5	10	10	13
65610.W0061	6x12	Right	Coarse	6	12	M6	10	31	24	9.0	6	6	12	12	15
65610.W0062	6x24	Right	Coarse	6	24	M6	10	43	36	9.0	6	6	12	12	21
65610.W0081	8x16	Right	Coarse	8	16	M8	14	42	32	12.0	8	8	16	16	37
65610.W0082	8x16	Right	Fine	8	16	M8x1	14	42	32	12.0	8	8	16	16	37
65610.W0083	8x32	Right	Coarse	8	32	M8	14	58	48	12.0	8	8	16	16	54
65610.W0084	8x32	Right	Fine	8	32	M8x1	14	58	48	12.0	8	8	16	16	54
65610.W0102	10x20	Right	Coarse	10	20	M10	18	52	40	15.0	10	10	20	20	74
65610.W0103	10x20	Right	Fine	10	20	M10x1,25	18	52	40	15.0	10	10	20	20	74
65610.W0104	10x40	Right	Coarse	10	40	M10	18	72	60	15.0	10	10	20	20	116
65610.W0105	10x40	Right	Fine	10	40	M10x1,25	18	72	60	15.0	10	10	20	20	116
65610.W0122	12x24	Right	Coarse	12	24	M12	20	62	48	18.0	12	12	24	24	121
65610.W0123	12x24	Right	Fine	12	24	M12x1,25	20	62	48	18.0	12	12	24	24	121
65610.W0124	12x48	Right	Coarse	12	48	M12	20	86	72	18.0	12	12	24	24	175
65610.W0125	12x48	Right	Fine	12	48	M12x1,25	20	86	72	18.0	12	12	24	24	175
65610.W0142	14x28	Right	Coarse	14	28	M14	24	72	56	22.5	14	14	27	27	178
65610.W0143	14x28	Right	Fine	14	28	M14x1,5	24	72	56	22.5	14	14	27	27	178
65610.W0145	14x56	Right	Coarse	14	56	M14	24	101	85	22.5	14	14	27	27	258
65610.W0146	14x56	Right	Fine	14	56	M14x1,5	24	101	85	22.5	14	14	27	27	258
65610.W0163	16x32	Right	Coarse	16	32	M16	26	83	64	24.0	16	16	32	32	282
65610.W0164	16x32	Right	Fine	16	32	M16x1,5	26	83	64	24.0	16	16	32	32	282
65610.W0166	16x64	Right	Coarse	16	64	M16	26	115	96	24.0	16	16	32	32	411
65610.W0167	16x64	Right	Fine	16	64	M16x1,5	26	115	96	24.0	16	16	32	32	411
65610.W0204	20x40	Right	Coarse	20	40	M20	34	105	80	30.0	20	20	40	40	550
65610.W0205	20x40	Right	Fine	20	40	M20x1,5	34	105	80	30.0	20	20	40	40	550
65610.W0255	25x50	Right	Coarse	25	50	M24	42	132	100	36.0	25	25	50	50	1100



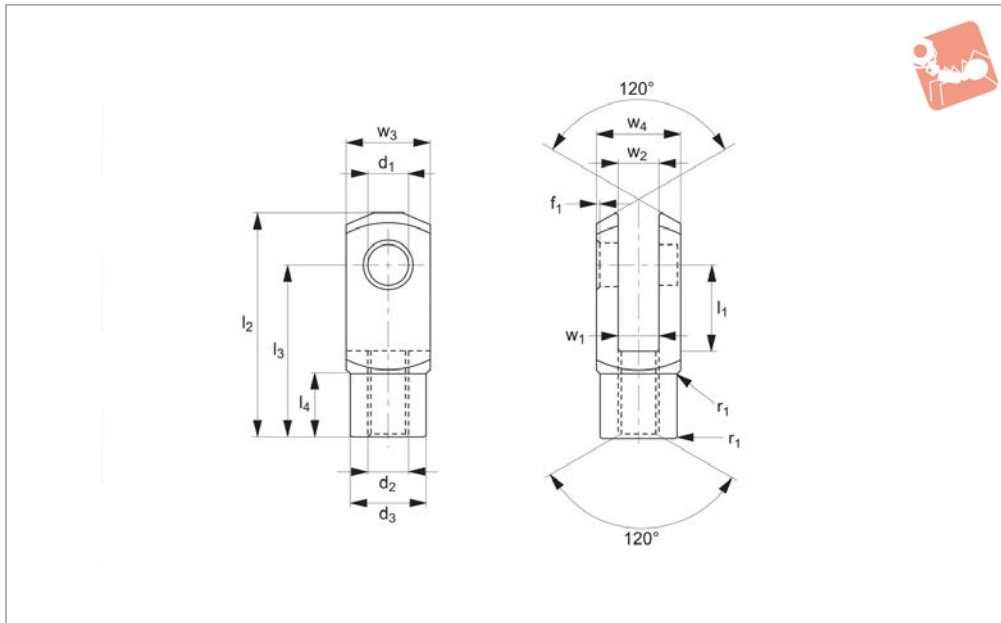
Order No.	Size	Thread hand	Thread type	$d_1$ tol. H9	$l_1$ $\pm 0.5$	$d_2$	$d_3$	$l_2$ $\pm 0.5$	$l_3$	$l_4$	$w_1$ $\pm 0.5$	$w_2$	$w_3$ tol. h11	$w_4$	Weight g
<b>65610.W0256</b>	25x50	Right	Fine	25	50	M24x2	42	132	100	36.0	25	25	50	50	1100



# Stainless Clevis Joints with Pin

left hand thread

## Clevis Joints



65612

CLEVIS JOINTS

### Material

Stainless steel (1.4305 AISI 303 X8CrNiS18-9)

### Technical Notes

M5-M16: DIN 71 752/DIN ISO 8140.  
M20-M24: Similar to DIN 71 752 and according to CETOP standard.

### Tips

Assembly is made up using 65636 clevis

joint, 65661 pin, P0330 washer, and 65675 split cotter pin.

### Important Notes

For sizes M5-M12,  $f_1$  and  $r_1 = 0,5$ , for sizes M14-M16,  $f_1$  and  $r_1 = 1$   
For size M20,  $f_1 = 1$ ,  $r_1 = 1,5$ , for M24,  $f_1$  and  $r_1 = 1,5$ , for  $r_1$ , radius or 45° bevelling.  
Other Tolerances:-  
 $w_4$ : M4-M16 = +0,3 -0,16

M20-M27 = +0,5 - 0,2  
 $w_2$ : Size 4x8-10x20 = B13  
Size 10x40-30x54 = +0,7 +0,15  
 $l_3$ : up to size 6x12 = ±0,3  
From size 6x24 = ±0,4

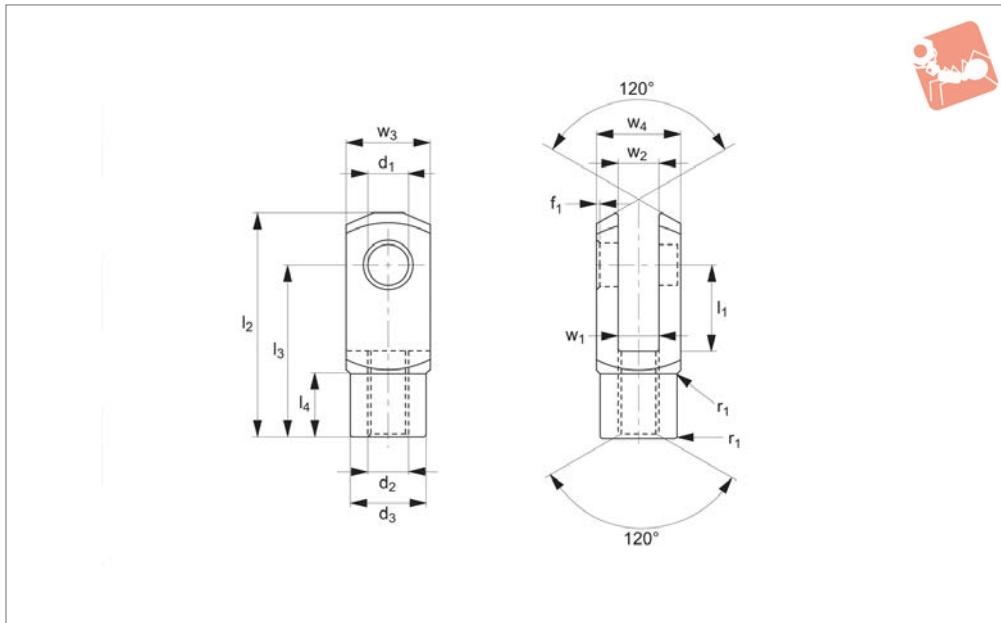
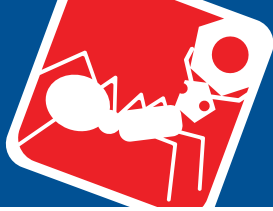
Order No.	Size	Thread hand	Thread type	$d_1$ tol. H9	$l_1$ ±0.5	$d_2$	$d_3$	$l_2$ ±0.5	$l_3$	$l_4$	$w_1$ tol. B13	$w_2$	$w_3$ tol. h11	$w_4$	Weight g
65612.W0051	5x10	Left	Coarse	5	10	M5	9	26	20	7.5	5	5	10	10	9
65612.W0052	5x20	Left	Coarse	5	20	M5	9	36	30	7.5	5	5	10	10	13
65612.W0061	6x12	Left	Coarse	6	12	M6	10	31	24	9.0	6	6	12	12	15
65612.W0062	6x24	Left	Coarse	6	24	M6	10	43	36	9.0	6	6	12	12	21
65612.W0081	8x16	Left	Coarse	8	16	M8	14	42	32	12.0	8	8	16	16	37
65612.W0082	8x16	Left	Fine	8	16	M8x1	14	42	32	12.0	8	8	16	16	37
65612.W0083	8x32	Left	Coarse	8	32	M8	14	58	48	12.0	8	8	16	16	54
65612.W0084	8x32	Left	Fine	8	32	M8x1	14	58	48	12.0	8	8	16	16	54
65612.W0102	10x20	Left	Coarse	10	20	M10	18	52	40	15.0	10	10	20	20	74
65612.W0103	10x20	Left	Fine	10	20	M10x1,25	18	52	40	15.0	10	10	20	20	74
65612.W0104	10x40	Left	Coarse	10	40	M10	18	72	60	15.0	10	10	20	20	116
65612.W0105	10x40	Left	Fine	10	40	M10x1,25	18	72	60	15.0	10	10	20	20	116
65612.W0122	12x24	Left	Coarse	12	24	M12	20	62	48	18.0	12	12	24	24	121
65612.W0123	12x24	Left	Fine	12	24	M12x1,25	20	62	48	18.0	12	12	24	24	121
65612.W0124	12x48	Left	Coarse	12	48	M12	20	86	72	18.0	12	12	24	24	175
65612.W0125	12x48	Left	Fine	12	48	M12x1,25	20	86	72	18.0	12	12	24	24	175
65612.W0142	14x28	Left	Coarse	14	28	M14	24	72	56	22.5	14	14	27	27	178
65612.W0143	14x28	Left	Fine	14	28	M14x1,5	24	72	56	22.5	14	14	27	27	178
65612.W0145	14x56	Left	Coarse	14	56	M14	24	101	85	22.5	14	14	27	27	258
65612.W0146	14x56	Left	Fine	14	56	M14x1,5	24	101	85	22.5	14	14	27	27	258
65612.W0163	16x32	Left	Coarse	16	32	M16	26	83	64	24.0	16	16	32	32	282
65612.W0164	16x32	Left	Fine	16	32	M16x1,5	26	83	64	24.0	16	16	32	32	282
65612.W0166	16x64	Left	Coarse	16	64	M16	26	115	96	24.0	16	16	32	32	411
65612.W0167	16x64	Left	Fine	16	64	M16x1,5	26	115	96	24.0	16	16	32	32	411
65612.W0204	20x40	Left	Coarse	20	40	M20	34	105	80	30.0	20	20	40	40	550
65612.W0205	20x40	Left	Fine	20	40	M20x1,5	34	105	80	30.0	20	20	40	40	550
65612.W0255	25x50	Left	Coarse	25	50	M24	42	132	100	36.0	25	25	50	50	1100



## Stainless Clevis Joints with Pin left hand thread



Order No.	Size	Thread hand	Thread type	d <sub>1</sub> tol. H9	l <sub>1</sub> ±0.5	d <sub>2</sub>	d <sub>3</sub>	l <sub>2</sub> ±0.5	l <sub>3</sub>	l <sub>4</sub>	w <sub>1</sub> tol. B13	w <sub>2</sub>	w <sub>3</sub> tol. h11	w <sub>4</sub>	Weight g
<b>65612.W0256</b>	25x50	Left	Fine	25	50	M24x2	42	132	100	36.0	25	25	50	50	1100



## 65614

CLEVIS JOINTS

### Material

Stainless steel (1.4305 AISI 303 X8CrNiS18-9)

### Technical Notes

M5-M16: DIN 71 752/DIN ISO 8140.  
M20: Similar to DIN 71 752 and according to CETOP standard.

### Tips

Standard thread is right hand, (for left

hand, see 65616).

Assembly is made up using 65635 clevis joint, 65666 pin, and 2 off 65678 circlips.

### Important Notes

For sizes M5-M12,  $f_1$  and  $r_1 = 0,5$ , for sizes M16,  $f_1$  and  $r_1 = 1$   
For size M20,  $f_1=1$ ,  $r_1 = 1,5$ , for  $r_1$ , radius or 45° bevelling.  
Other Tolerances:-

$w_4$ : M4-M16 = +0,3 -0,16

M20 = +0,5 - 0,2

$w_2$ : Size 4x8-10x20 = B13

Size 10x40-20x40 = +0,7 +0,15

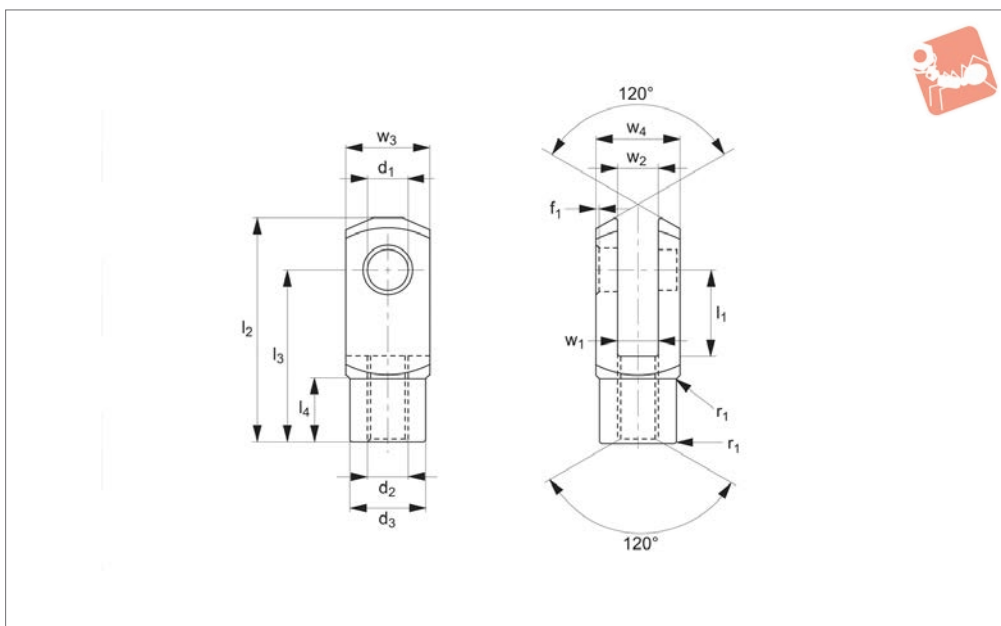
$l_3$ : up to size 6x12 = ±0,3

From size 6x24 = ±0,4

Order No.	Size	Thread hand	Thread type	$d_1$ tol. H9	$l_1$ ±0.5	$d_2$	$d_3$	$l_2$ ±0.5	$l_3$	$l_4$	$w_1$ ±0.5	$w_2$	$w_3$ tol. h11	$w_4$	Weight g
65614.W0051	5x10	Right	Coarse	5	10	M5	9	26	20	7.5	5	5	10	10	9
65614.W0052	5x20	Right	Coarse	5	20	M5	9	36	30	7.5	5	5	10	10	13
65614.W0061	6x12	Right	Coarse	6	12	M6	10	31	24	9.0	6	6	12	12	15
65614.W0062	6x24	Right	Coarse	6	24	M6	10	43	36	9.0	6	6	12	12	21
65614.W0081	8x16	Right	Coarse	8	16	M8	14	42	32	12.0	8	8	16	16	37
65614.W0082	8x16	Right	Fine	8	16	M8x1	14	42	32	12.0	8	8	16	16	37
65614.W0083	8x32	Right	Coarse	8	32	M8	14	58	48	12.0	8	8	16	16	54
65614.W0084	8x32	Right	Fine	8	32	M8x1	14	58	48	12.0	8	8	16	16	54
65614.W0102	10x20	Right	Coarse	10	20	M10	18	52	40	15.0	10	10	20	20	74
65614.W0103	10x20	Right	Fine	10	20	M10x1,25	18	52	40	15.0	10	10	20	20	74
65614.W0104	10x40	Right	Coarse	10	40	M10	18	72	60	15.0	10	10	20	20	116
65614.W0105	10x40	Right	Fine	10	40	M10x1,25	18	72	60	15.0	10	10	20	20	116
65614.W0122	12x24	Right	Coarse	12	24	M12	20	62	48	18.0	12	12	24	24	121
65614.W0123	12x24	Right	Fine	12	24	M12x1,25	20	62	48	18.0	12	12	24	24	121
65614.W0124	12x48	Right	Coarse	12	48	M12	20	86	72	18.0	12	12	24	24	175
65614.W0125	12x48	Right	Fine	12	48	M12x1,25	20	86	72	18.0	12	12	24	24	175
65614.W0163	16x32	Right	Coarse	16	32	M16	26	83	64	24.0	16	16	32	32	282
65614.W0164	16x32	Right	Fine	16	32	M16x1,5	26	83	64	24.0	16	16	32	32	282
65614.W0166	16x64	Right	Coarse	16	64	M16	26	115	96	24.0	16	16	32	32	411
65614.W0167	16x64	Right	Fine	16	64	M16x1,5	26	115	96	24.0	16	16	32	32	411
65614.W0204	20x40	Right	Coarse	20	40	M20	34	105	80	30.0	20	20	40	40	550
65614.W0205	20x40	Right	Fine	20	40	M20x1,5	34	105	80	30.0	20	20	40	40	550



## 65616



### Material

Stainless steel (1.4305 AISI 303 X8CrNiS18-9)

### Technical Notes

M5-M16: DIN 71 752/DIN ISO 8140.

M20: Similar to DIN 71 752 and according to CETOP standard.

### Tips

Assembly is made up using 65636 clevis

joint, 65666 pin, and 2 off 65678 circlips.

### Important Notes

For sizes M5-M12,  $f_1$  and  $r_1 = 0,5$ , for sizes M16,  $f_1$  and  $r_1 = 1$

For size M20,  $f_1=1$ ,  $r_1 = 1,5$ , for  $r_1$ , radius or 45° bevelling.

Other Tolerances:-

$w_4$ : M4-M16 = +0,3 -0,16

M20 = +0,5 - 0,2

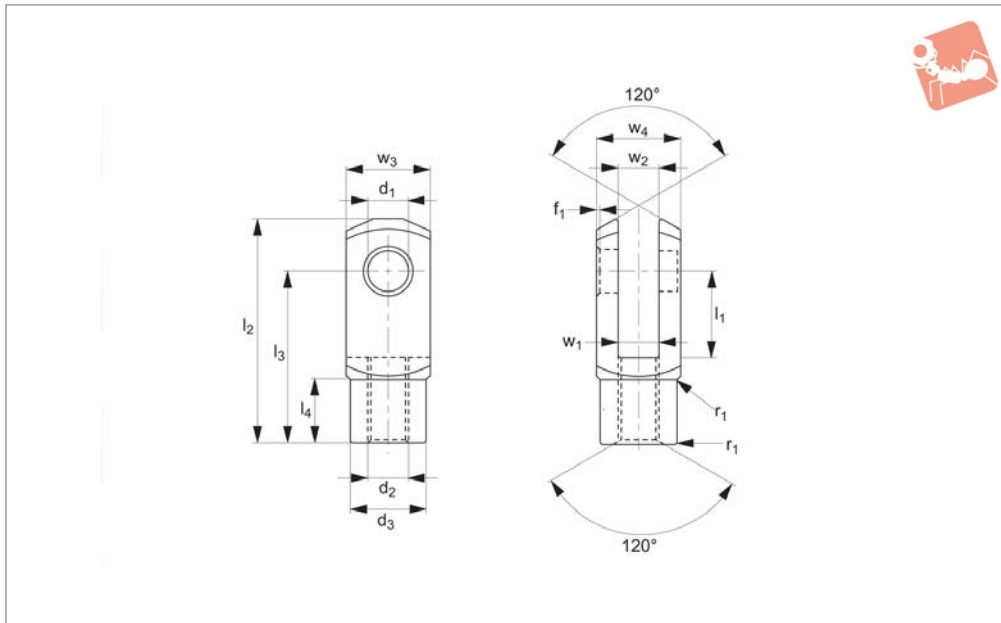
$w_2$ : Size 4x8-10x20 = B13

Size 10x40-20x40 = +0,7 +0,15

$l_3$ : up to size 6x12 = ±0,3

From size 6x24 = ±0,4

Order No.	Size	Thread hand	Thread type	$d_1$ tol. H9	$l_1$ ±0.5	$d_2$	$d_3$	$l_2$ ±0.5	$l_3$	$l_4$	$w_1$ tol. B13	$w_2$	$w_3$ tol. h11	$w_4$	Weight g
65616.W0051	5x10	Left	Coarse	5	10	M5	9	26	20	7.5	5	5	10	10	9
65616.W0052	5x20	Left	Coarse	5	20	M5	9	36	30	7.5	5	5	10	10	13
65616.W0061	6x12	Left	Coarse	6	12	M6	10	31	24	9.0	6	6	12	12	15
65616.W0062	6x24	Left	Coarse	6	24	M6	10	43	36	9.0	6	6	12	12	21
65616.W0081	8x16	Left	Coarse	8	16	M8	14	42	32	12.0	8	8	16	16	37
65616.W0082	8x16	Left	Fine	8	16	M8x1	14	42	32	12.0	8	8	16	16	37
65616.W0083	8x32	Left	Coarse	8	32	M8	14	58	48	12.0	8	8	16	16	54
65616.W0084	8x32	Left	Fine	8	32	M8x1	14	58	48	12.0	8	8	16	16	54
65616.W0102	10x20	Left	Coarse	10	20	M10	18	52	40	15.0	10	10	20	20	74
65616.W0103	10x20	Left	Fine	10	20	M10x1,25	18	52	40	15.0	10	10	20	20	74
65616.W0104	10x40	Left	Coarse	10	40	M10	18	72	60	15.0	10	10	20	20	116
65616.W0105	10x40	Left	Fine	10	40	M10x1,25	18	72	60	15.0	10	10	20	20	116
65616.W0122	12x24	Left	Coarse	12	24	M12	20	62	48	18.0	12	12	24	24	121
65616.W0123	12x24	Left	Fine	12	24	M12x1,25	20	62	48	18.0	12	12	24	24	121
65616.W0124	12x48	Left	Coarse	12	48	M12	20	86	72	18.0	12	12	24	24	175
65616.W0125	12x48	Left	Fine	12	48	M12x1,25	20	86	72	18.0	12	12	24	24	175
65616.W0163	16x32	Left	Coarse	16	32	M16	26	83	64	24.0	16	16	32	32	282
65616.W0164	16x32	Left	Fine	16	32	M16x1,5	26	83	64	24.0	16	16	32	32	282
65616.W0166	16x64	Left	Coarse	16	64	M16	26	115	96	24.0	16	16	32	32	411
65616.W0167	16x64	Left	Fine	16	64	M16x1,5	26	115	96	24.0	16	16	32	32	411
65616.W0204	20x40	Left	Coarse	20	40	M20	34	105	80	30.0	20	20	40	40	550
65616.W0205	20x40	Left	Fine	20	40	M20x1,5	34	105	80	30.0	20	20	40	40	550



## 65635

CLEVIS JOINTS

### Material

Stainless steel (1.4305 AISI 303 X8CrNiS18-9).

### Technical Notes

M4-M16: DIN 71 752/DIN ISO 8140.  
M20-M27: Similar to DIN 71 752 and according to CETOP standard.

### Tips

Standard thread is right hand, (for left

hand, see 65636).

### Important Notes

For sizes M4-M12,  $f_1$  and  $r_1 = 0,5$ , for sizes M14-M16,  $f_1$  and  $r_1 = 1$ , for size M20,  $f_1 = 1, r_1 = 1,5$   
For M24,  $f_1$  and  $r_1 = 1,5$ , for M27,  $f_1 = 1,5, r_1 = 2$ , for  $r_1$ , radius or  $45^\circ$  bevelling.  
Other Tolerances:-

$w_4$ : M4-M16 =  $+0,3 -0,16$   
M20-M27 =  $+0,5 - 0,2$   
 $w_2$ : Size 4x8-10x20 = B13  
Size 10x40-30x54 =  $+0,7 +0,15$   
 $l_3$ : up to size 6x12 =  $\pm 0,3$   
From size 6x24 =  $\pm 0,4$

Order No.	Size	Thread hand	Thread type	$d_1$ tol. h9	$l_1$ $\pm 0,5$	$d_2$	$d_3$	$l_2$ $\pm 0,5$	$l_3$	$l_4$	$w_1$ $\pm 0,5$	$w_2$	$w_3$ tol. h11	$w_4$	Weight g
65635.W0040	4x8	Right	Coarse	4	8	M 4	8	21	16	6.0	4	4	8	8	5
65635.W0041	4x16	Right	Coarse	4	16	M 4	8	29	24	6.0	4	4	8	8	7
65635.W0051	5x10	Right	Coarse	5	10	M 5	9	26	20	7.5	5	5	10	10	9
65635.W0052	5x20	Right	Coarse	5	20	M 5	9	36	30	7.5	5	5	10	10	13
65635.W0061	6x12	Right	Coarse	6	12	M 6	10	31	24	9.0	6	6	12	12	15
65635.W0062	6x24	Right	Coarse	6	24	M 6	10	43	36	9.0	6	6	12	12	21
65635.W0081	8x16	Right	Coarse	8	16	M 8	14	42	32	12.0	8	8	16	16	37
65635.W0082	8x16	Right	Fine	8	16	M 8x1	14	42	32	12.0	8	8	16	16	37
65635.W0083	8x32	Right	Coarse	8	32	M 8	14	58	48	12.0	8	8	16	16	54
65635.W0084	8x32	Right	Fine	8	32	M 8x1	14	58	48	12.0	8	8	16	16	54
65635.W0102	10x20	Right	Coarse	10	20	M10	18	52	40	15.0	10	10	20	20	74
65635.W0103	10x20	Right	Fine	10	20	M10x1,25	18	52	40	15.0	10	10	20	20	74
65635.W0104	10x40	Right	Coarse	10	40	M10	18	72	60	15.0	10	10	20	20	116
65635.W0105	10x40	Right	Fine	10	40	M10x1,25	18	72	60	15.0	10	10	20	20	116
65635.W0122	12x24	Right	Coarse	12	24	M12	20	62	48	18.0	12	12	24	24	121
65635.W0123	12x24	Right	Fine	12	24	M12x1,25	20	62	48	18.0	12	12	24	24	121
65635.W0124	12x48	Right	Coarse	12	48	M12	20	86	72	18.0	12	12	24	24	175
65635.W0125	12x48	Right	Fine	12	48	M12x1,25	20	86	72	18.0	12	12	24	24	175
65635.W0142	14x28	Right	Coarse	14	28	M14	24	72	56	22.5	14	14	27	27	178
65635.W0143	14x28	Right	Fine	14	28	M14x1,5	24	72	56	22.5	14	14	27	27	178
65635.W0145	14x56	Right	Coarse	14	56	M14	24	101	85	22.5	14	14	27	27	258
65635.W0146	14x56	Right	Fine	14	56	M14x1,5	24	101	85	22.5	14	14	27	27	258
65635.W0163	16x32	Right	Coarse	16	32	M16	26	83	64	24.0	16	16	32	32	282
65635.W0164	16x32	Right	Fine	16	32	M16x1,5	26	83	64	24.0	16	16	32	32	282
65635.W0166	16x64	Right	Coarse	16	64	M16	26	115	96	24.0	16	16	32	32	411
65635.W0167	16x64	Right	Fine	16	64	M16x1,5	26	115	96	24.0	16	16	32	32	411
65635.W0204	20x40	Right	Coarse	20	40	M20	34	105	80	30.0	20	20	40	40	550



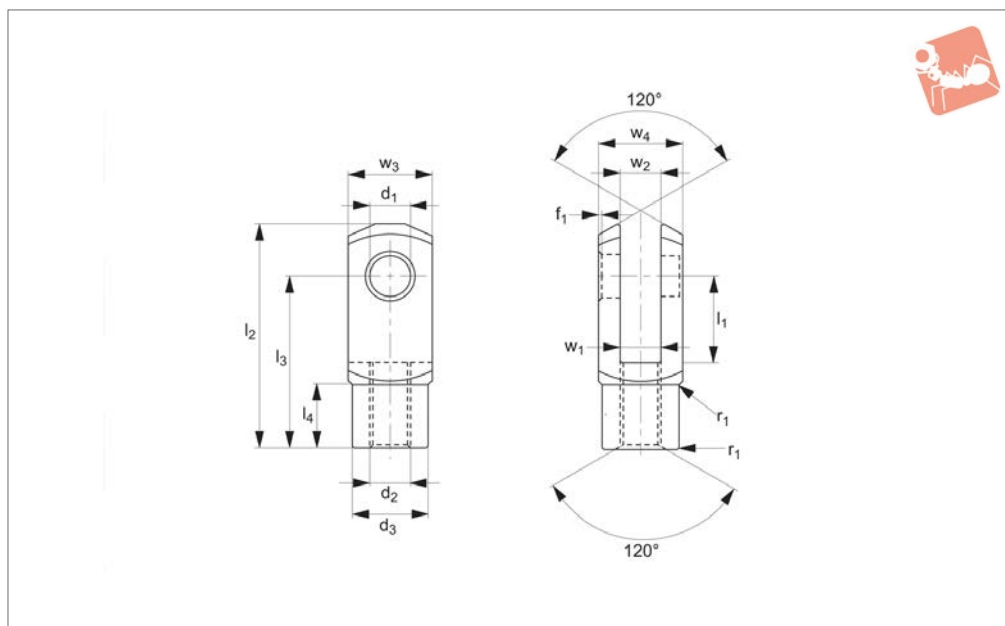
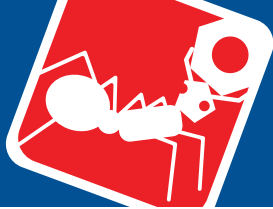
Order No.	Size	Thread hand	Thread type	$d_1$ tol. h9	$l_1$ $\pm 0.5$	$d_2$	$d_3$	$l_2$ $\pm 0.5$	$l_3$	$l_4$	$w_1$ $\pm 0.5$	$w_2$	$w_3$ tol. h11	$w_4$	Weight g
<b>65635.W0205</b>	20x40	Right	Fine	20	40	M20x1,5	34	105	80	30.0	20	20	40	40	550
<b>65635.W0255</b>	25x50	Right	Coarse	25	50	M24	42	132	100	36.0	25	25	50	50	1100
<b>65635.W0256</b>	25x50	Right	Fine	25	50	M24x2	42	132	100	36.0	25	25	50	50	1100
<b>65635.W0305</b>	30x54	Right	Fine	30	54	M27x2	48	148	110	40.0	30	30	55	55	1440



# Stainless Clevis Joints

left hand thread

## Clevis Joints



**65636**

CLEVIS JOINTS

### Material

Stainless steel (1.4305 AISI 303 X8CrNiS18-9)

### Technical Notes

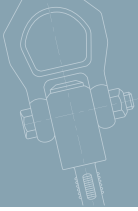
M4-M16: DIN 71 752/DIN ISO 8140.  
M20-M27: Similar to DIN 71 752 and according to CETOP standard.

### Important Notes

For sizes M4-M12,  $f_1$  and  $r_1 = 0,5$ , for sizes M14-M16,  $f_1$  and  $r_1 = 1$ , for size M20,  $f_1=1$ ,  $r_1 = 1,5$   
For M24,  $f_1$  and  $r_1 = 1,5$ , for M27,  $f_1=1,5$ ,  $r_1 = 2$ , for  $r_1$ , radius or 45° bevelling.  
Other Tolerances:-

$w_4$ : M4-M16 = +0,3 -0,16  
M20-M27 = +0,5 - 0,2  
 $w_2$ : Size 4x8-10x20 = B13  
Size 10x40-30x54 = +0,7 +0,15  
 $l_3$ : up to size 6x12 = ±0,3  
From size 6x24 = ±0,4

Order No.	Size	Thread hand	Thread type	$d_1$ tol. H9	$l_1$ ±0.5	$d_2$	$d_3$	$l_2$ ±0.5	$l_3$	$l_4$	$w_1$ tol. B13	$w_2$	$w_3$ tol. h11	$w_4$	Weight g
65636.W0040	4x8	Left	Coarse	4	8	M4	8	21	16	6.0	4	4	8	8	5
65636.W0041	4x16	Left	Coarse	4	16	M4	8	29	24	6.0	4	4	8	8	7
65636.W0051	5x10	Left	Coarse	5	10	M5	9	26	20	7.5	5	5	10	10	9
65636.W0052	5x20	Left	Coarse	5	20	M5	9	36	30	7.5	5	5	10	10	13
65636.W0061	6x12	Left	Coarse	6	12	M6	10	31	24	9.0	6	6	12	12	15
65636.W0062	6x24	Left	Coarse	6	24	M6	10	43	36	9.0	6	6	12	12	21
65636.W0081	8x16	Left	Coarse	8	16	M8	14	42	32	12.0	8	8	16	16	37
65636.W0082	8x16	Left	Fine	8	16	M8x1	14	42	32	12.0	8	8	16	16	37
65636.W0083	8x32	Left	Coarse	8	32	M8	14	58	48	12.0	8	8	16	16	54
65636.W0102	10x20	Left	Coarse	10	20	M10	18	52	40	15.0	10	10	20	20	74
65636.W0103	10x20	Left	Fine	10	20	M10x1,25	18	52	40	15.0	10	10	20	20	74
65636.W0104	10x40	Left	Coarse	10	40	M10	18	72	60	15.0	10	10	20	20	116
65636.W0105	10x40	Left	Fine	10	40	M10x1,25	18	72	60	15.0	10	10	20	20	116
65636.W0122	12x24	Left	Coarse	12	24	M12	20	62	48	18.0	12	12	24	24	121
65636.W0123	12x24	Left	Fine	12	24	M12x1,25	20	62	48	18.0	12	12	24	24	121
65636.W0124	12x48	Left	Coarse	12	48	M12	20	86	72	18.0	12	12	24	24	175
65636.W0125	12x48	Left	Fine	12	48	M12x1,25	20	86	72	18.0	12	12	24	24	175
65636.W0142	14x28	Left	Coarse	14	28	M14	24	72	56	22.5	14	14	27	27	178
65636.W0143	14x28	Left	Fine	14	28	M14x1,5	24	72	56	22.5	14	14	27	27	178
65636.W0145	14x56	Left	Coarse	14	56	M14	24	101	85	22.5	14	14	27	27	258
65636.W0146	14x56	Left	Fine	14	56	M14x1,5	24	101	85	22.5	14	4	27	27	258
65636.W0163	16x32	Left	Coarse	16	32	M16	26	83	64	24.0	16	16	32	32	282
65636.W0164	16x32	Left	Fine	16	32	M16x1,5	26	83	64	24.0	16	16	32	32	282
65636.W0166	16x64	Left	Coarse	16	64	M16	26	115	96	24.0	16	16	32	32	411
65636.W0167	16x64	Left	Fine	16	64	M16x1,5	26	115	96	24.0	16	16	32	32	411
65636.W0204	20x40	Left	Coarse	20	40	M20	34	105	80	30.0	20	20	40	40	550
65636.W0205	20x40	Left	Fine	20	40	M20x1,5	34	105	80	30.0	20	20	40	40	550
65636.W0255	25x50	Left	Coarse	25	50	M24	42	132	100	36.0	25	25	50	50	1100
65636.W0256	25x50	Left	Fine	25	50	M24x2	42	132	100	36.0	25	25	50	50	1100
65636.W0305	30x54	Left	Fine	30	54	M27x2	48	148	110	40.0	30	30	55	55	1440



### Parts overview

CLEVIS JOINTS

#### Clevis Joints

Stocked to DIN 71752 in steel and stainless steel. Plain clevis joints available in right and left hand threads zinc plated steel and stainless steel. Steel sizes from M4 up to M48. Stainless sizes from M4 up to M27.



#### Clevis Mating Pieces

These are designed to fit in between our clevis joints to create a linkage where an angular offset is required. Available in zinc plated steel and stainless steel. Sizes M4 up to M20.



#### Clevis Pins and Clips

Various styles of pins and clips to suit clevis joints in zinc plated steel and stainless steel. Sizes available to suit all sizes of clevis joints that we offer.



#### Clevis Retention Clips

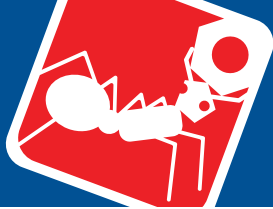
These are the most popular type of clip used with our clevis joints. They create a neat compact assembly, only available in zinc plated steel. Size available for clevis joints from 4mm up to 20mm.



#### Male Clevis Joints

Stocked in zinc plated steel and stainless steel, right and left hand threads. Sizes M6 up to M20.





**Clevis with retention clip**  
65630 and 65684



**Clevis with clevis pin, washer and cotter pin**  
65660 and 65674



## Zinc plated steel

**Clevis with clevis pin** 65664  
**Safety fastener** 65680

**Clevis with clevis pin and circlips** 65666 and 65678



**Clevis with clevis pin, washer and cotter pin** 65661 and 65675



## Stainless steel

**Clevis with 65652 mating piece and 65684 clevis retention clip**



**Clevis with 65880 rod end and 65684 clevis retention clip**



## Assembly options

### Tensile tests, statistically to failure (break)

Clevis joints axially loaded.

Leaded low carbon steel (AISI 12L14, 1.0718).

### Clevises M6 - M42

### Material

Clevis size	F min (kN)	F max (kN)	F average value (kN)	Avg. force when clevis starts to deform (kN)
6 x 24 M 6	16,0	19,5	17,6	15,3
8 x 32 M 8	33,2	35,6	34,6	29,3
10 x 40 M10	42,0	52,0	47,5	41,3
12 x 48 M12	53,0	68,5	61,1	50,2
14 x 56 M14	60,5	64,5	63,0	48,8
16 x 64 M16	133,5	146,0	140,2	115
20 x 40 M20	194,5	234,0	213,5	176
25 x 50 M25	311,0	336,0	328,0	260
30 x 60 M30	428,0	450,0	440,6	343
36 x 72 M36	566,0	573,0	569,5	300
35 x 72 M36	561,2	567,9	564,6	370
42 x 84 M42	904,6	904,6	904,6	420

**Important note:** values in this table are indicative only and should only be used as a rough guide. The Company cannot foresee the intended applications of their products and we accept no liability for any actions taken by third parties. Customers are advised to use their own safety factors and/or perform their own testing on the clevis joint to ensure it meets requirements for their application.