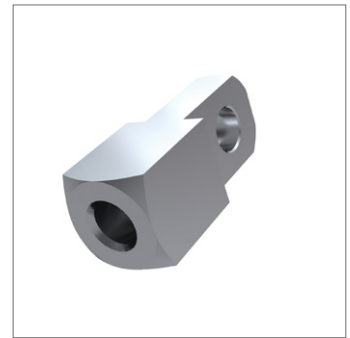
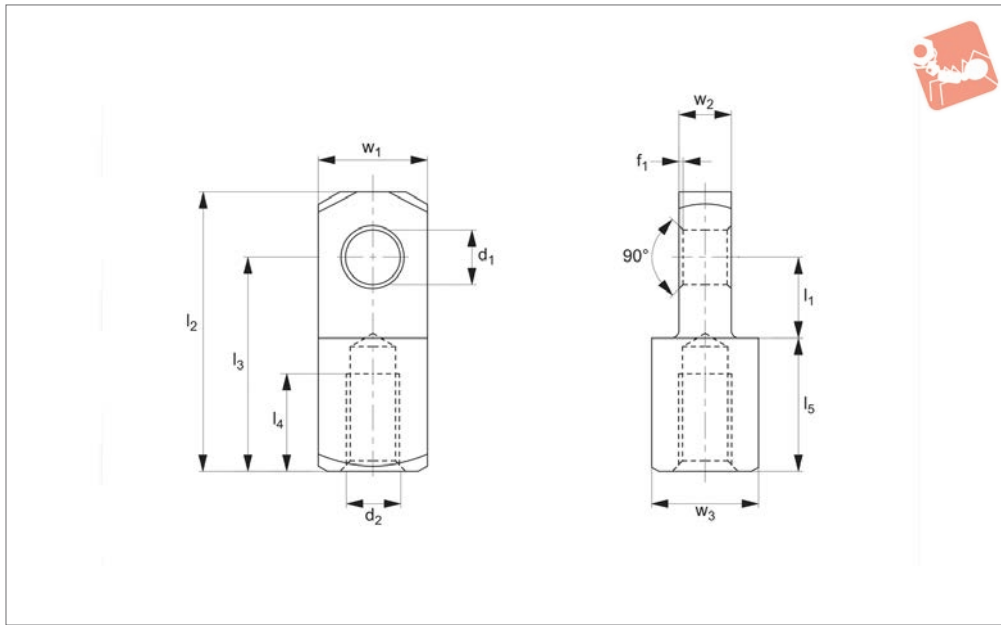




Mating Piece for Clevis Joints

silver zinc plated

Clevis Joints



65652

CLEVIS JOINTS

Material

Steel (1.0718), silver zinc plated.

Tips

Standard thread is right hand, (for left

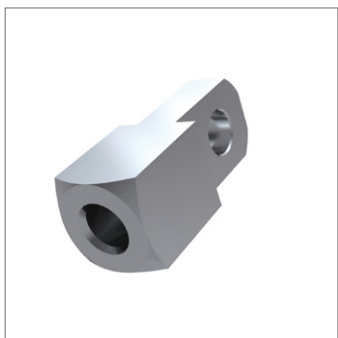
hand thread, see 65653).

Thin end of mating piece is designed to fit in between forks of clevis joint.

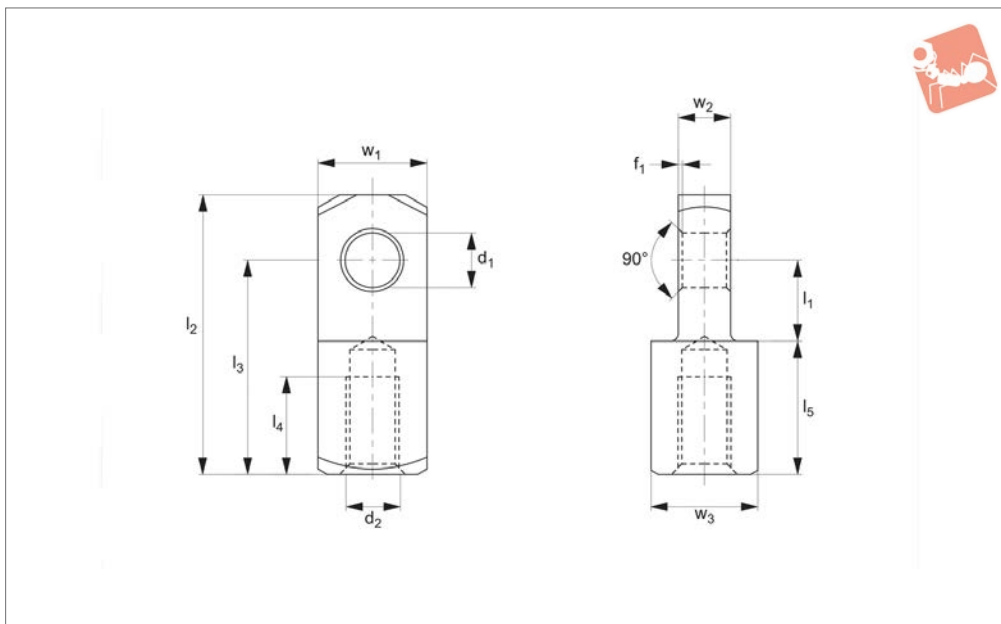
Designed so thread size matches clevis

joint, (e.g. M5 mating piece will fit on M5 clevis joint).

Order No.	Thread hand	Thread type	d ₁ tol. H9	l ₁ ±0.5	d ₂	l ₂ ±0.5	l ₃ ±0.5	l ₄	l ₅ ±0.2	w ₁ tol. h11	w ₂ -0,2	w ₃ tol. h11	f ₁ ±0.2	Weight g
65652.W0004	Right	Coarse	4	6.0	M4	21	16	6	10	8	4	8	0.5	6
65652.W0005	Right	Coarse	5	7.5	M5	26	20	8	12.5	10	5	10	0.5	12
65652.W0006	Right	Coarse	6	9.0	M6	31	24	11	15	12	6	12	0.5	21
65652.W0008	Right	Coarse	8	12.0	M8	42	32	14	20	16	8	16	0.5	51
65652.W0009	Right	Fine	8	12.0	M8x1	42	32	14	20	16	8	16	0.5	51
65652.W0010	Right	Coarse	10	15.0	M10	52	40	18	25	20	10	20	0.5	98
65652.W0011	Right	Fine	10	15.0	M10x1,25	52	40	18	25	20	10	20	0.5	98
65652.W0012	Right	Coarse	12	18.0	M12	62	48	22	30	24	12	24	0.5	168
65652.W0013	Right	Fine	12	18.0	M12x1,25	62	48	22	30	24	12	24	0.5	167
65652.W0014	Right	Coarse	14	21.0	M14	72	56	25	35	27	14	27	1.0	247
65652.W0015	Right	Fine	14	21.0	M14x1,5	72	56	25	35	27	14	27	1.0	245
65652.W0016	Right	Coarse	16	24.0	M16	83	64	30	40	32	16	32	1.0	397
65652.W0017	Right	Fine	16	24.0	M16x1,5	83	64	30	40	32	16	32	1.0	395
65652.W0020	Right	Coarse	20	30.0	M20	105	80	38	50	40	20	40	1.0	783
65652.W0021	Right	Fine	20	30.0	M20x1,5	105	80	38	50	40	20	40	1.0	776



65653



Material

Steel (1.0718), silver zinc plated.

Tips

Thin end of mating piece is designed to fit

in between forks of clevis joint.

Designed so thread size matches clevis joint, (e.g. M5 mating piece will fit on M5 clevis joint).

Order No.	Thread hand	Thread type	d ₁ tol. H9	l ₁ ±0.5	d ₂	l ₂ ±0.5	l ₃ ±0.5	l ₄	l ₅ ±0.2	w ₁ tol. h11	w ₂ -0,2	w ₃ tol. h11	f ₁ ±0.2	Weight g
65653.W1004	Left	Coarse	4	6	M4	21	16	6	10.0	8	4	8	0.5	6
65653.W1005	Left	Coarse	5	7.5	M5	26	20	8	12.5	10	5	10	0.5	12
65653.W1006	Left	Coarse	6	9	M6	31	24	11	15.0	12	6	12	0.5	21
65653.W1008	Left	Coarse	8	12	M8	42	32	14	20.0	16	8	16	0.5	51
65653.W1009	Left	Fine	8	12	M8x1	42	32	14	20.0	16	8	16	0.5	51
65653.W1010	Left	Coarse	10	15	M10	52	40	18	25.0	20	10	20	0.5	98
65653.W1011	Left	Fine	10	15	M10x1,25	52	40	18	25.0	20	10	20	0.5	98
65653.W1012	Left	Coarse	12	18	M12	62	48	22	30.0	24	12	24	0.5	168
65653.W1013	Left	Fine	12	18	M12x1,25	62	48	22	30.0	24	12	24	0.5	167
65653.W1014	Left	Coarse	14	21	M14	72	56	25	35.0	27	14	27	1.0	247
65653.W1015	Left	Fine	14	21	M14x1,5	72	56	25	35.0	27	14	27	1.0	245
65653.W1016	Left	Coarse	16	24	M16	83	64	30	40.0	32	16	32	1.0	397
65653.W1017	Left	Fine	16	24	M16x1,5	83	64	30	40.0	32	16	32	1.0	395
65653.W1020	Left	Coarse	20	30	M20	105	80	38	50.0	40	20	40	1.0	783
65653.W1021	Left	Fine	20	30	M20x1,5	105	80	38	50.0	40	20	40	1.0	776



Parts overview

Clevis Joints

Stocked to DIN 71752 in steel and stainless steel. Plain clevis joints available in right and left hand threads zinc plated steel and stainless steel. Steel sizes from M4 up to M48. Stainless sizes from M4 up to M27.



Clevis Mating Pieces

These are designed to fit in between our clevis joints to create a linkage where an angular offset is required. Available in zinc plated steel and stainless steel. Sizes M4 up to M20.



Clevis Pins and Clips

Various styles of pins and clips to suit clevis joints in zinc plated steel and stainless steel. Sizes available to suit all sizes of clevis joints that we offer.



Clevis Retention Clips

These are the most popular type of clip used with our clevis joints. They create a neat compact assembly, only available in zinc plated steel. Size available for clevis joints from 4mm up to 20mm.



Male Clevis Joints

Stocked in zinc plated steel and stainless steel, right and left hand threads. Sizes M6 up to M20.





Zinc plated steel

Clevis with retention clip
65630 and 65684



Clevis with clevis pin 65664
Safety fastener 65680

Clevis with clevis pin,
washer and cotter pin
65660 and 65674



Stainless steel

Clevis with clevis pin
and circlips 65666
and 65678



Clevis with clevis pin,
washer and cotter pin
65661 and 65675



Assembly options

Clevis with 65652
mating piece
and 65684 clevis
retention clip



Clevis with 65880
rod end and 65684
clevis retention clip



Tensile tests, statistically to failure (break)

Clevises M6 - M42

Clevis joints axially loaded.

Material

Leaded low carbon steel (AISI 12L14, 1.0718).

Important note: values in this table are indicative only and should only be used as a rough guide. The Company cannot foresee the intended applications of their products and we accept no liability for any actions taken by third parties. Customers are advised to use their own safety factors and/or perform their own testing on the clevis joint to ensure it meets requirements for their application.

Clevis size	F min (kN)	F max (kN)	F average value (kN)	Avg. force when clevis starts to deform (kN)
6 x 24 M 6	16,0	19,5	17,6	15,3
8 x 32 M 8	33,2	35,6	34,6	29,3
10 x 40 M10	42,0	52,0	47,5	41,3
12 x 48 M12	53,0	68,5	61,1	50,2
14 x 56 M14	60,5	64,5	63,0	48,8
16 x 64 M16	133,5	146,0	140,2	115
20 x 40 M20	194,5	234,0	213,5	176
25 x 50 M25	311,0	336,0	328,0	260
30 x 60 M30	428,0	450,0	440,6	343
36 x 72 M36	566,0	573,0	569,5	300
35 x 72 M36	561,2	567,9	564,6	370
42 x 84 M42	904,6	904,6	904,6	420