

**65656**

CLEVIS JOINTS

### Material

Stainless steel (AISI 303 1.4305).

hand thread see 65657).

clevis joint).

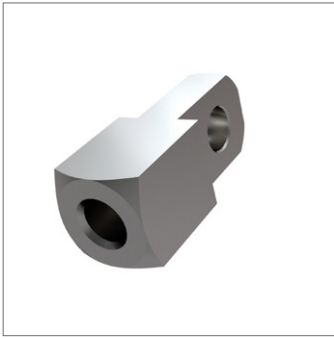
Thin end of mating piece is designed to fit in between forks of clevis joint.

### Tips

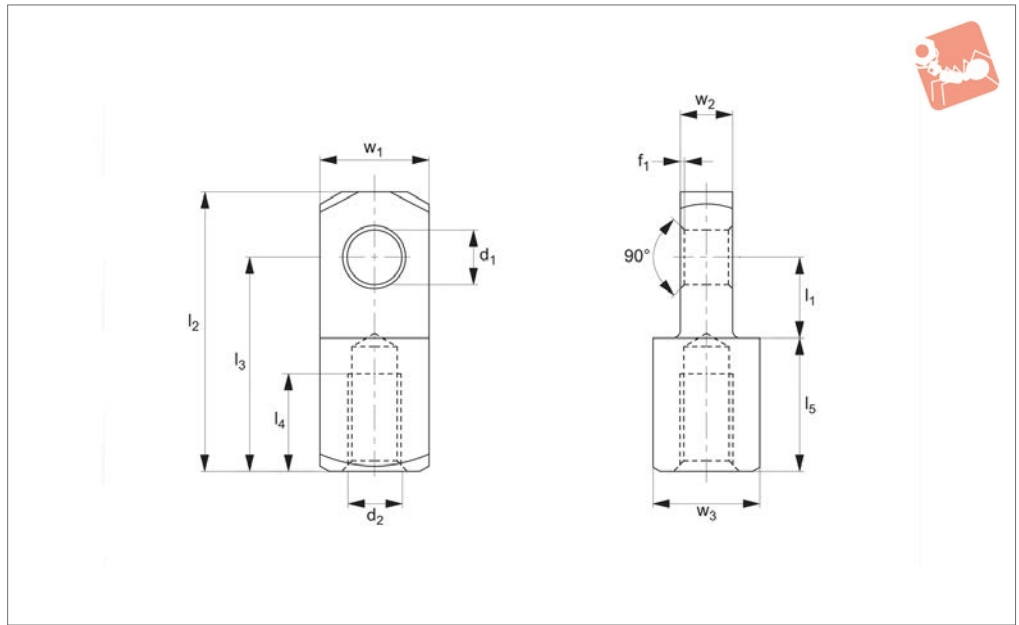
Standard thread is right hand, (for left

joint, (e.g. M5 mating piece will fit on M5

Order No.	Thread hand	Thread type	d <sub>1</sub> tol. H9	l <sub>1</sub> ±0.5	d <sub>2</sub>	l <sub>2</sub> ±0.5	l <sub>3</sub> ±0.5	l <sub>4</sub>	l <sub>5</sub> ±0.2	w <sub>1</sub> tol. h11	w <sub>2</sub> -0,2	w <sub>3</sub> tol. h11	f <sub>1</sub> ±0.2	Weight g
65656.W0004	Right	Coarse	4	6	M4	21	16	6	10.0	8	4	8	0.5	6
65656.W0005	Right	Coarse	5	7.5	M5	26	20	8	12.5	10	5	10	0.5	12
65656.W0006	Right	Coarse	6	9	M6	31	24	11	15.0	12	6	12	0.5	21
65656.W0008	Right	Coarse	8	12	M8	42	32	14	20.0	16	8	16	0.5	51
65656.W0009	Right	Fine	8	12	M8x1	42	32	14	20.0	16	8	16	0.5	51
65656.W0010	Right	Coarse	10	15	M10	52	40	18	25.0	20	10	20	0.5	98
65656.W0011	Right	Fine	10	15	M10x1,25	52	40	18	25.0	20	10	20	0.5	98
65656.W0012	Right	Coarse	12	18	M12	62	48	22	30.0	24	12	24	0.5	168
65656.W0013	Right	Fine	12	18	M12x1,25	62	48	22	30.0	24	12	24	0.5	167
65656.W0014	Right	Coarse	14	21	M14	72	56	25	35.0	27	14	27	1.0	247
65656.W0015	Right	Fine	14	21	M14x1,5	72	56	25	35.0	27	14	27	1.0	245
65656.W0016	Right	Coarse	16	24	M16	83	64	30	40.0	32	16	32	1.0	397
65656.W0017	Right	Fine	16	24	M16x1,5	83	64	30	40.0	32	16	32	1.0	395
65656.W0020	Right	Coarse	20	30	M20	105	80	38	50.0	40	20	40	1.0	783
65656.W0021	Right	Fine	20	30	M20x1,5	105	80	38	50.0	40	20	40	1.0	776



## 65657



### Material

Stainless steel (AISI 303 1.4305).

### Tips

Thin end of mating piece is designed to fit

in between forks of clevis joint.

Designed so thread size matches clevis joint, (e.g. M5 mating piece will fit on M5 clevis joint).

Order No.	Thread hand	Thread type	d <sub>1</sub> tol. H9	l <sub>1</sub> ±0.5	d <sub>2</sub>	l <sub>2</sub> ±0.5	l <sub>3</sub> ±0.5	l <sub>4</sub>	l <sub>5</sub> ±0.2	w <sub>1</sub> tol. h11	w <sub>2</sub> -0,2	w <sub>3</sub> tol. h11	f <sub>1</sub> ±0.2	Weight g
65657.W0004	Left	Coarse	4	6	M4	21	16	6	10.0	8	4	8	0.5	6
65657.W0005	Left	Coarse	5	7.5	M5	26	20	8	12.5	10	5	10	0.5	12
65657.W0006	Left	Coarse	6	9	M6	31	24	11	15.0	12	6	12	0.5	21
65657.W0008	Left	Coarse	8	12	M8	42	32	14	20.0	16	8	16	0.5	51
65657.W0009	Left	Fine	8	12	M8x1	42	32	14	20.0	16	8	16	0.5	51
65657.W0010	Left	Coarse	10	15	M10	52	40	18	25.0	20	10	20	0.5	98
65657.W0011	Left	Fine	10	15	M10x1,25	52	40	18	25.0	20	10	20	0.5	98
65657.W0012	Left	Coarse	12	18	M12	62	48	22	30.0	24	12	24	0.5	168
65657.W0013	Left	Fine	12	18	M12x1,25	62	48	22	30.0	24	12	24	0.5	167
65657.W0014	Left	Coarse	14	21	M14	72	56	25	35.0	27	14	27	1.0	247
65657.W0015	Left	Fine	14	21	M14x1,5	72	56	25	35.0	27	14	27	1.0	245
65657.W0016	Left	Coarse	16	24	M16	83	64	30	40.0	32	16	32	1.0	397
65657.W0017	Left	Fine	16	24	M16x1,5	83	64	30	40.0	32	16	32	1.0	395
65657.W0020	Left	Coarse	20	30	M20	105	80	38	50.0	40	20	40	1.0	783
65657.W0021	Left	Fine	20	30	M20x1,5	105	80	38	50.0	40	20	40	1.0	776



## Parts overview

### Clevis Joints

Stocked to DIN 71752 in steel and stainless steel. Plain clevis joints available in right and left hand threads zinc plated steel and stainless steel. Steel sizes from M4 up to M48. Stainless sizes from M4 up to M27.



### Clevis Mating Pieces

These are designed to fit in between our clevis joints to create a linkage where an angular offset is required. Available in zinc plated steel and stainless steel. Sizes M4 up to M20.



### Clevis Pins and Clips

Various styles of pins and clips to suit clevis joints in zinc plated steel and stainless steel. Sizes available to suit all sizes of clevis joints that we offer.



### Clevis Retention Clips

These are the most popular type of clip used with our clevis joints. They create a neat compact assembly, only available in zinc plated steel. Size available for clevis joints from 4mm up to 20mm.



### Male Clevis Joints

Stocked in zinc plated steel and stainless steel, right and left hand threads. Sizes M6 up to M20.





## Zinc plated steel

Clevis with retention clip  
65630 and 65684



Clevis with clevis pin 65664  
Safety fastener 65680

Clevis with clevis pin,  
washer and cotter pin  
65660 and 65674



## Stainless steel

Clevis with clevis pin  
and circlips 65666  
and 65678



Clevis with clevis pin,  
washer and cotter pin  
65661 and 65675



## Assembly options

Clevis with 65652  
mating piece  
and 65684 clevis  
retention clip



Clevis with 65880  
rod end and 65684  
clevis retention clip



## Tensile tests, statistically to failure (break)

### Clevises M6 - M42

Clevis joints axially loaded.

### Material

Leaded low carbon steel (AISI 12L14, 1.0718).

Important note: values in this table are indicative only and should only be used as a rough guide. The Company cannot foresee the intended applications of their products and we accept no liability for any actions taken by third parties. Customers are advised to use their own safety factors and/or perform their own testing on the clevis joint to ensure it meets requirements for their application.

Clevis size	F min (kN)	F max (kN)	F average value (kN)	Avg. force when clevis starts to deform (kN)
6 x 24 M 6	16,0	19,5	17,6	15,3
8 x 32 M 8	33,2	35,6	34,6	29,3
10 x 40 M10	42,0	52,0	47,5	41,3
12 x 48 M12	53,0	68,5	61,1	50,2
14 x 56 M14	60,5	64,5	63,0	48,8
16 x 64 M16	133,5	146,0	140,2	115
20 x 40 M20	194,5	234,0	213,5	176
25 x 50 M25	311,0	336,0	328,0	260
30 x 60 M30	428,0	450,0	440,6	343
36 x 72 M36	566,0	573,0	569,5	300
35 x 72 M36	561,2	567,9	564,6	370
42 x 84 M42	904,6	904,6	904,6	420