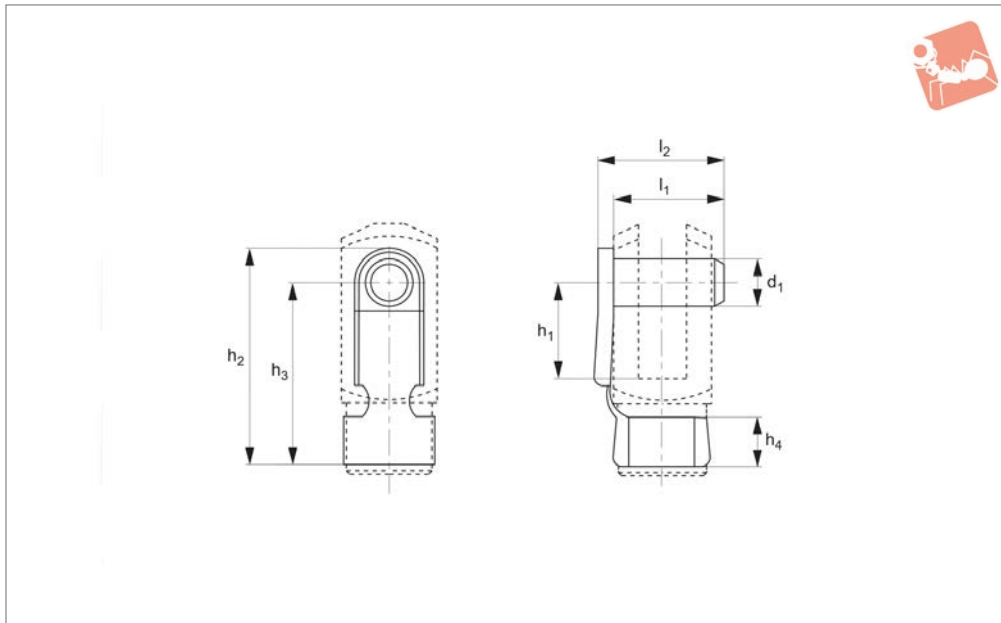




Clevis Retention Clips

silver zinc plated

Clevis Joints



65684

CLEVIS JOINTS

Material

Pin - steel (9SMnPb28), spring - carbon steel C70, silver zinc plated.

Tips

Clips on to base of clevis joint, for clevis joint see part numbers 65630 and 65631.

Order No.	Size	d ₁ tol. H11	h ₁	h ₂	h ₃	h ₄	l ₁	l ₂	Weight g
65684.W0048	4x8	4	8	19	15	4	9	11	2
65684.W0051	5x10	5	10	23	19	4.5	12	14	3
65684.W0052	5x20	5	20	33	29	4.5	12	14	3
65684.W0061	6x12	6	12	28	23	6	14	16	5
65684.W0062	6x24	6	24	40	35	6	14	16	5
65684.W0081	8x16	8	16	37	31	8	19	23	11
65684.W0083	8x32	8	32	53	47	8	19	23	12
65684.W0102	10x20	10	20	46	39	10	23	27	19
65684.W0104	10x40	10	40	66	59	10	23	27	20
65684.W0122	12x24	12	24	55	46	12	28	32	32
65684.W0124	12x48	12	48	79	71	12	28	32	34
65684.W0142	14x28	14	28	62	52	14	31	34	47
65684.W0145	14x56	14	56	92	82	14	31	34	50
65684.W0163	16x32	16	32	72	62	16	36	41	67
65684.W0166	16x64	16	64	103	92	16	36	39	74
65684.W0204	20x40	20	40	88	72	16	44	49	130



Parts overview

CLEVIS JOINTS

Clevis Joints

Stocked to DIN 71752 in steel and stainless steel. Plain clevis joints available in right and left hand threads zinc plated steel and stainless steel. Steel sizes from M4 up to M48. Stainless sizes from M4 up to M27.



Clevis Mating Pieces

These are designed to fit in between our clevis joints to create a linkage where an angular offset is required. Available in zinc plated steel and stainless steel. Sizes M4 up to M20.



Clevis Pins and Clips

Various styles of pins and clips to suit clevis joints in zinc plated steel and stainless steel. Sizes available to suit all sizes of clevis joints that we offer.



Clevis Retention Clips

These are the most popular type of clip used with our clevis joints. They create a neat compact assembly, only available in zinc plated steel. Size available for clevis joints from 4mm up to 20mm.



Male Clevis Joints

Stocked in zinc plated steel and stainless steel, right and left hand threads. Sizes M6 up to M20.

