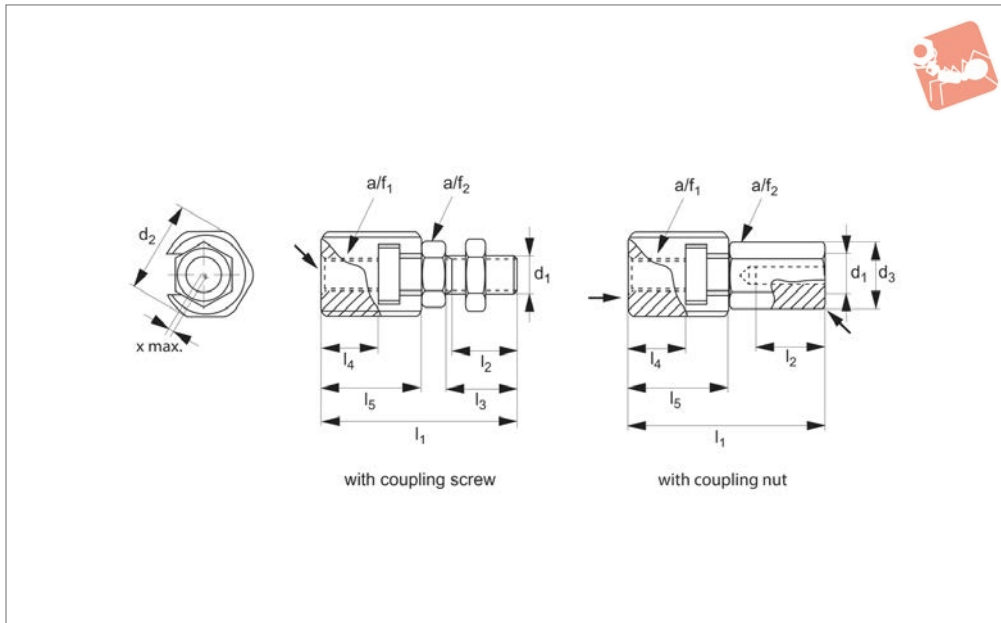
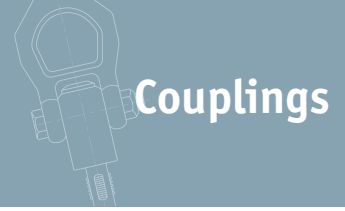




Quick Plug Couplings with radial offset compensation



64500

COUPLINGS

Material

Body: steel, heat-treated, phosphated.
Lock nut: steel, blackened (ISO 4035/8675).

Technical Notes

For quick coupling/uncoupling of components within a linear movement application, with the additional advantage

of compensating for radial off-set between the components. In built adjustment feature of the quick plug coupling means manual adjustment of the coupled units is unnecessary. Coupling via means of a t-slot channel within the coupling nut.

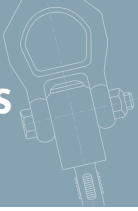
Tips

Can be linked to pneumatic and hydraulic

lifting cylinders in many different applications.

Important note: suitable for linear movement applications, does not transmit any torque.

| Order No. | Coupling Type | d ₁ | d ₂ | d ₃ | l ₁ ≈ | l ₂ min. | l ₃ | l ₄ min. | l ₅ | Tensile & compression load kN max. | A/F ₁ | A/F ₂ | Axial offset x max. | Weight g |
|-------------|---------------|----------------|----------------|----------------|---------------------|------------------------|----------------|------------------------|----------------|---|------------------|------------------|------------------------|-------------|
| 64500.W0006 | Screw | M_6 | 21,0 | | 37,5 | 11,0 | 14 | 9,0 | 18,0 | 2,5 | 19 | 10 | 0,6 | 44 |
| 64500.W0008 | Screw | M_8 | 26,0 | | 45,0 | 13,5 | 17 | 11,5 | 22,5 | 4,5 | 24 | 13 | 0,7 | 86 |
| 64500.W0010 | Screw | M10 | 30,0 | | 56,2 | 16,0 | 20 | 16,0 | 29,0 | 6,5 | 27 | 17 | 0,7 | 147 |
| 64500.W0012 | Screw | M12 | 32,5 | | 66,7 | 21,0 | 25 | 17,0 | 34,0 | 10,0 | 30 | 19 | 0,8 | 208 |
| 64500.W0016 | Screw | M16 | 39,0 | | 83,0 | 25,0 | 30 | 23,0 | 42,0 | 18,0 | 36 | 24 | 1,0 | 383 |
| 64500.W0020 | Screw | M20 | 44,0 | | 93,5 | 29,0 | 35 | 23,5 | 45,5 | 30,0 | 41 | 30 | 1,0 | 571 |
| 64500.W0030 | Screw | M10 x 1,25 | 30,0 | | 56,2 | 16,0 | 20 | 16,0 | 29,0 | 6,5 | 27 | 17 | 0,7 | 147 |
| 64500.W0032 | Screw | M12 x 1,25 | 32,5 | | 66,7 | 21,0 | 25 | 17,0 | 34,0 | 10,0 | 30 | 19 | 0,8 | 207 |
| 64500.W0036 | Screw | M16 x 1,50 | 39,0 | | 83,0 | 25,0 | 30 | 23,0 | 42,0 | 18,0 | 36 | 24 | 1,0 | 384 |
| 64500.W0040 | Screw | M20 x 1,50 | 44,0 | | 93,5 | 29,0 | 35 | 23,5 | 45,5 | 30,0 | 41 | 30 | 1,0 | 576 |
| 64500.W0056 | Nut | M_6 | 21,0 | 11,0 | 37,5 | 11,0 | | 9,0 | 18,0 | 2,5 | 19 | 10 | 0,6 | 47 |
| 64500.W0058 | Nut | M_8 | 26,0 | 14,4 | 45,0 | 13,5 | | 11,5 | 22,5 | 4,0 | 24 | 13 | 0,7 | 91 |
| 64500.W0060 | Nut | M10 | 30,0 | 19,0 | 56,2 | 15,0 | | 16,0 | 29,0 | 6,5 | 27 | 17 | 0,7 | 160 |
| 64500.W0062 | Nut | M12 | 32,5 | 21,2 | 66,7 | 17,5 | | 17,0 | 34,0 | 10,0 | 30 | 19 | 0,8 | 223 |
| 64500.W0066 | Nut | M16 | 39,0 | 27,0 | 83,0 | 22,0 | | 23,0 | 42,0 | 18,0 | 36 | 24 | 1,0 | 401 |
| 64500.W0070 | Nut | M20 | 44,0 | 34,0 | 93,5 | 25,0 | | 23,5 | 45,5 | 30,0 | 41 | 30 | 1,0 | 606 |
| 64500.W0080 | Nut | M10 x 1,25 | 30,0 | 19,0 | 56,2 | 15,0 | | 16,0 | 29,0 | 6,5 | 27 | 17 | 0,7 | 159 |
| 64500.W0082 | Nut | M12 x 1,25 | 32,5 | 21,2 | 66,7 | 17,5 | | 17,0 | 34,0 | 10,0 | 30 | 19 | 0,8 | 221 |
| 64500.W0086 | Nut | M16 x 1,50 | 39,0 | 27,0 | 83,0 | 22,0 | | 23,0 | 42,0 | 18,0 | 36 | 24 | 1,0 | 400 |
| 64500.W0090 | Nut | M20 x 1,50 | 44,0 | 34,0 | 93,5 | 25,0 | | 23,5 | 45,5 | 30,0 | 41 | 30 | 1,0 | 601 |

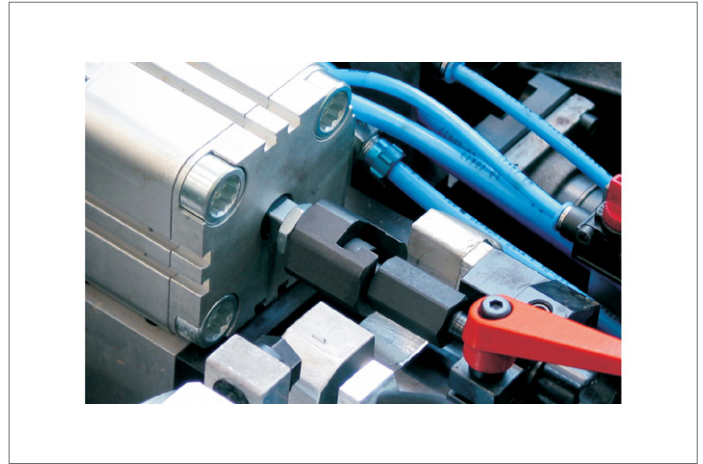
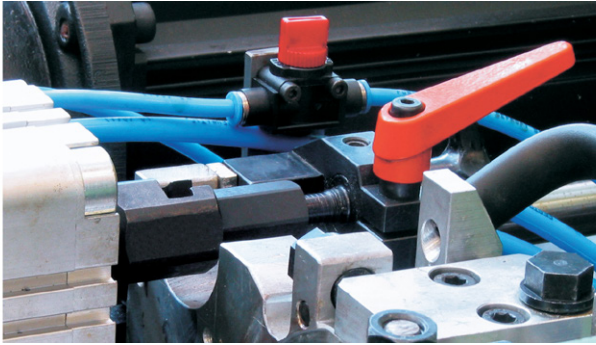


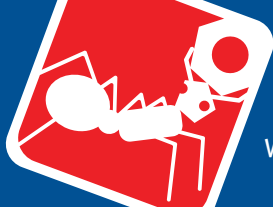
Quick Plug Couplings

with radial offset compensation



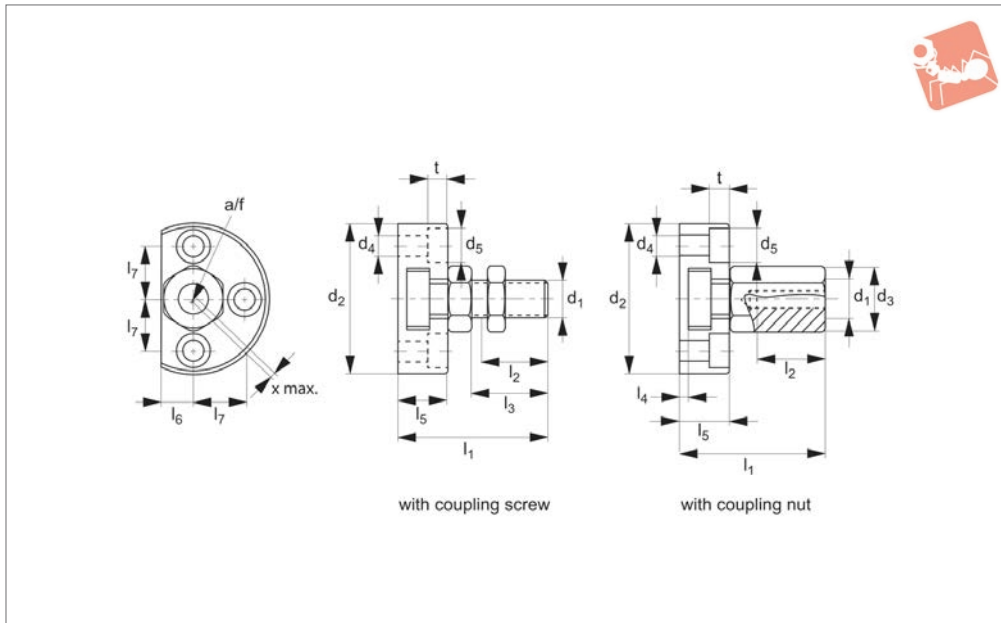
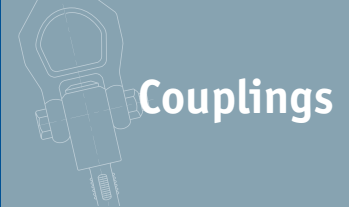
COUPLINGS





Quick Plug Couplings

with radial offset compensation and screwed flange



64600

COUPLINGS

Material

Body: steel, heat-treated, tempered, phosphated.

Lock nut: steel, blackened (ISO 4035/8675).

Technical Notes

For quick coupling/uncoupling of components within a linear movement application, with the additional advantage

of compensating for radial off-set between the components. In built adjustment feature of the quick plug coupling means manual adjustment of the coupled units is unnecessary. Coupling via means of a t-slot channel within the coupling nut.

*kN max is the maximum tensile and compression load.

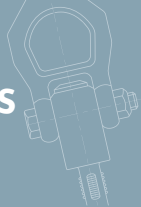
Tips

Ideal quick coupler where space is limited. Can be linked to pneumatic and hydraulic lifting cylinders in many different applications.

Important note: suitable for linear movement applications, does not transmit any torque.

| Order No. | Coupling Type | d ₁ | d ₂ | d ₃ | d ₄ | d ₅ | Weight g |
|-------------|---------------|----------------|----------------|----------------|----------------|----------------|----------|
| 64600.W0206 | Screw | M_6 | 42 | - | 5.5 | 10 | 75 |
| 64600.W0208 | Screw | M_8 | 48 | - | 6.6 | 11 | 116 |
| 64600.W0210 | Screw | M10 | 50 | - | 6.6 | 11 | 175 |
| 64600.W0212 | Screw | M12 | 55 | - | 6.6 | 11 | 281 |
| 64600.W0216 | Screw | M16 | 65 | - | 9.0 | 15 | 458 |
| 64600.W0220 | Screw | M20 | 80 | - | 11.0 | 18 | 817 |
| 64600.W0230 | Screw | M10x1,25 | 50 | - | 6.6 | 11 | 176 |
| 64600.W0232 | Screw | M12x1,25 | 55 | - | 6.6 | 11 | 280 |
| 64600.W0236 | Screw | M16x1,50 | 65 | - | 9.0 | 15 | 454 |
| 64600.W0240 | Screw | M20x1,50 | 80 | - | 11.0 | 18 | 850 |
| 64600.W0256 | Nut | M_6 | 42 | 11.0 | 5.5 | 10 | 77 |
| 64600.W0258 | Nut | M_8 | 48 | 14.4 | 6.6 | 11 | 123 |
| 64600.W0260 | Nut | M10 | 50 | 19.0 | 6.6 | 11 | 187 |
| 64600.W0262 | Nut | M12 | 55 | 21.2 | 6.6 | 11 | 295 |
| 64600.W0266 | Nut | M16 | 65 | 27.0 | 9.0 | 15 | 472 |
| 64600.W0270 | Nut | M20 | 80 | 34.0 | 11.0 | 18 | 849 |
| 64600.W0280 | Nut | M10x1,25 | 50 | 19.0 | 6.6 | 11 | 187 |
| 64600.W0282 | Nut | M12x1,25 | 55 | 21.2 | 6.6 | 11 | 298 |
| 64600.W0286 | Nut | M16x1,50 | 65 | 27.0 | 9.0 | 15 | 477 |
| 64600.W0290 | Nut | M20x1,50 | 80 | 34.0 | 11.0 | 18 | 852 |

| Order No. | l ₁ ≈ | l ₂ min. | l ₃ | l ₄ | l ₅ | l ₆ | l ₇ | A/F | t | Axial offset x max. | kN max. |
|-------------|------------------|---------------------|----------------|----------------|----------------|----------------|----------------|-----|-----|---------------------|---------|
| 64600.W0206 | 30.5 | 11.0 | 14 | 3.0 | 11.0 | 7.0 | 14.0 | 10 | 5.4 | 0.6 | 2.5 |
| 64600.W0208 | 35.5 | 13.5 | 17 | 3.0 | 13.0 | 8.0 | 16.0 | 13 | 6.4 | 0.7 | 4.5 |
| 64600.W0210 | 43.2 | 16.0 | 20 | 4.2 | 16.0 | 9.0 | 17.0 | 17 | 6.4 | 0.7 | 6.5 |

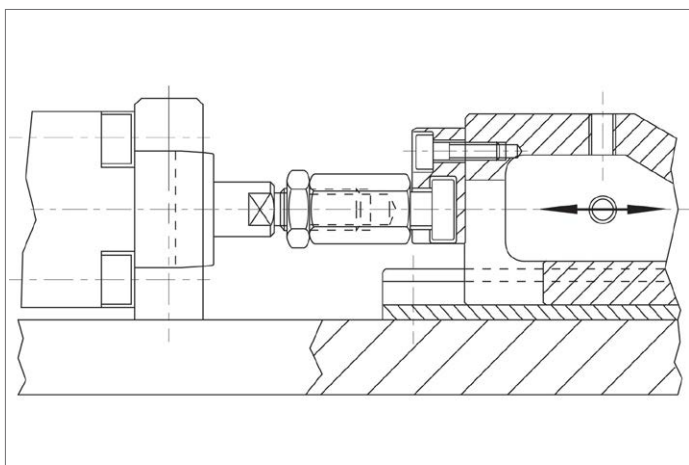


Quick Plug Couplings

with radial offset compensation and screwed flange



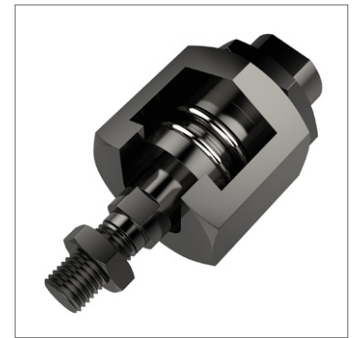
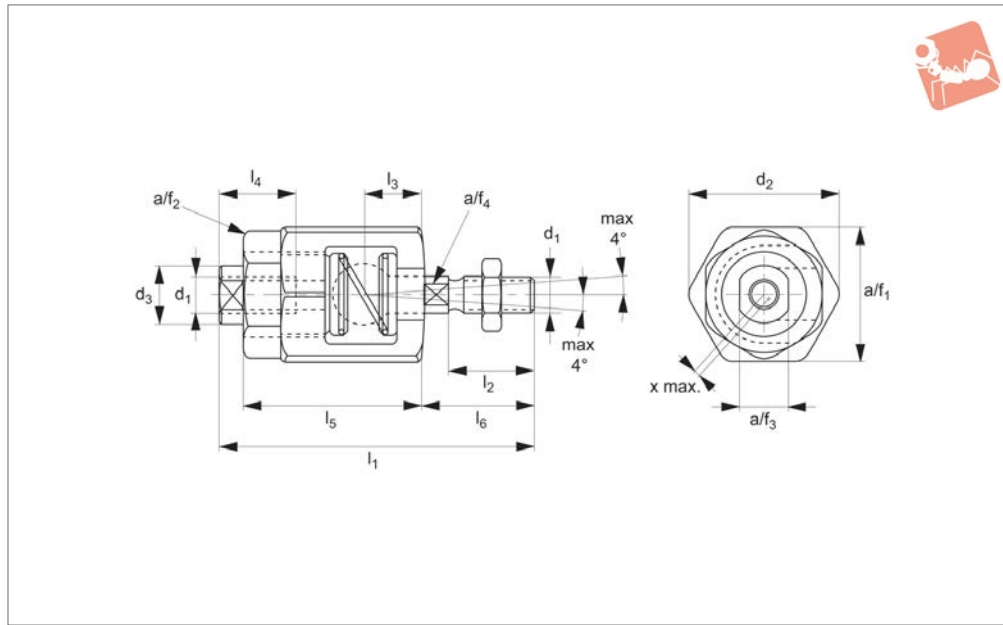
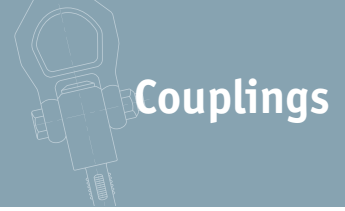
| Order No. | l_1 ≈ | l_2 min. | l_3 | l_4 | l_5 | l_6 | l_7 | A/F | t | Axial offset x max. | kN kN max. |
|-------------|------------|---------------|-------|-------|-------|-------|-------|-----|------|------------------------|------------------|
| 64600.W0212 | 53.2 | 21.0 | 25 | 4.2 | 20.5 | 10.0 | 19.0 | 19 | 6.4 | 0.8 | 10.0 |
| 64600.W0216 | 64.0 | 25.0 | 30 | 5.0 | 23.0 | 12.5 | 22.5 | 24 | 8.5 | 1.0 | 18.0 |
| 64600.W0220 | 74.0 | 29.0 | 35 | 5.0 | 26.0 | 17.0 | 28.0 | 30 | 10.4 | 1.0 | 30.0 |
| 64600.W0230 | 43.2 | 16.0 | 20 | 4.2 | 16.0 | 9.0 | 17.0 | 17 | 6.4 | 0.7 | 6.5 |
| 64600.W0232 | 53.2 | 21.0 | 25 | 4.2 | 20.5 | 10.0 | 19.0 | 19 | 6.4 | 0.8 | 10.0 |
| 64600.W0236 | 64.0 | 25.0 | 30 | 5.0 | 23.0 | 12.5 | 22.5 | 24 | 8.5 | 1.0 | 18.0 |
| 64600.W0240 | 74.0 | 29.0 | 35 | 5.0 | 26.0 | 17.0 | 28.0 | 30 | 10.0 | 1.0 | 30.0 |
| 64600.W0256 | 30.5 | 11.0 | - | 3.0 | 11.0 | 7.0 | 14.0 | 10 | 5.4 | 0.6 | 2.5 |
| 64600.W0258 | 35.5 | 13.5 | - | 3.0 | 13.0 | 8.0 | 16.0 | 13 | 6.4 | 0.7 | 4.5 |
| 64600.W0260 | 43.2 | 15.0 | - | 4.2 | 16.0 | 9.0 | 17.0 | 17 | 6.4 | 0.7 | 6.5 |
| 64600.W0262 | 53.2 | 17.5 | - | 4.2 | 20.5 | 10.0 | 19.0 | 19 | 6.4 | 0.8 | 10.0 |
| 64600.W0266 | 64.0 | 22.0 | - | 5.0 | 23.0 | 12.5 | 22.5 | 24 | 8.5 | 1.0 | 18.0 |
| 64600.W0270 | 74.0 | 25.0 | - | 5.0 | 26.0 | 17.0 | 28.0 | 30 | 10.0 | 1.0 | 30.0 |
| 64600.W0280 | 43.2 | 15.0 | - | 4.2 | 16.0 | 9.0 | 17.0 | 17 | 6.4 | 0.7 | 6.5 |
| 64600.W0282 | 53.2 | 17.5 | - | 4.2 | 20.5 | 10.0 | 19.0 | 19 | 6.4 | 0.8 | 10.0 |
| 64600.W0286 | 64.0 | 22.0 | - | 5.0 | 23.0 | 12.5 | 22.5 | 24 | 8.5 | 1.0 | 18.0 |
| 64600.W0290 | 74.0 | 25.0 | - | 5.0 | 26.0 | 17.0 | 28.0 | 30 | 10.0 | 1.0 | 30.0 |





Quick Plug Couplings

with angular radial offset compensation



64700

COUPLINGS

Material

Body: steel, heat-treated, tempered, phosphated.
 Nut: steel, heat-treated, phosphated.
 Spring: stainless steel.
 Coupling part: steel, heat-treated, nitrided, blackened.
 Lock nut: steel, blackened (ISO 4035/8675).

Technical Notes

Compensates for both radial off-set and

angular off-set between the components, making it ideal for applications with non-aligned linear components. Inbuilt adjustment feature of the quick plug coupling means manual adjustment of the coupled units is unnecessary. Coupling via means of a t-slot channel within the coupling nut.

Tips

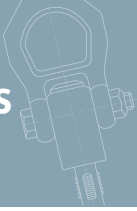
Solid and compact design, no loose elements. Can be linked to pneumatic and hydraulic lifting cylinders in many different

applications.

Important note: suitable for linear movement applications, does not transmit any torque.

| Order No. | d ₁ | d ₂ | d ₃ | l ₁ ≈ | l ₂ | l ₃ | Weight g |
|-------------|----------------|----------------|----------------|---------------------|----------------|----------------|-------------|
| 64700.W0406 | M 6 | 24.5 | 9.6 | 52 | 14 | 9.5 | 75 |
| 64700.W0408 | M 8 | 30.0 | 15.0 | 63 | 18 | 11.5 | 137 |
| 64700.W0410 | M10 | 44.0 | 21.0 | 81 | 22 | 16.0 | 401 |
| 64700.W0412 | M12 | 44.0 | 21.0 | 85 | 26 | 16.0 | 405 |
| 64700.W0416 | M16 | 60.0 | 32.0 | 121 | 34 | 26.0 | 1127 |
| 64700.W0420 | M20 | 60.0 | 32.0 | 129 | 42 | 26.0 | 1152 |
| 64700.W0430 | M10x1,25 | 44.0 | 21.0 | 81 | 22 | 16.0 | 403 |
| 64700.W0432 | M12x1,25 | 44.0 | 21.0 | 85 | 26 | 16.0 | 406 |
| 64700.W0436 | M16x1,50 | 60.0 | 32.0 | 121 | 34 | 26.0 | 1128 |
| 64700.W0440 | M20x1,50 | 60.0 | 32.0 | 129 | 42 | 26.0 | 1155 |

| Order No. | l ₄ min. | l ₅ | l ₆ | Radial offset compensation max. | Tensile load kN max. | A/F ₁ | A/F ₂ | A/F ₃ | A/F ₄ |
|-------------|------------------------|----------------|----------------|------------------------------------|----------------------------|------------------|------------------|------------------|------------------|
| 64700.W0406 | 13 | 29 | 18.5 | 0.6 | 2.5 | 22 | 19 | 8 | 5 |
| 64700.W0408 | 16 | 33 | 23.5 | 0.6 | 4.5 | 27 | 24 | 13 | 7 |
| 64700.W0410 | 24 | 43 | 30.5 | 0.7 | 6.5 | 41 | 36 | 18 | 12 |
| 64700.W0412 | 24 | 43 | 34.5 | 0.7 | 10.0 | 41 | 36 | 18 | 12 |
| 64700.W0416 | 34 | 62 | 45.0 | 1.0 | 18.0 | 55 | 46 | 27 | 18 |
| 64700.W0420 | 34 | 62 | 53.0 | 1.0 | 30.0 | 55 | 46 | 27 | 18 |
| 64700.W0430 | 24 | 43 | 30.5 | 0.7 | 6.5 | 41 | 36 | 18 | 12 |
| 64700.W0432 | 24 | 43 | 34.5 | 0.7 | 10.0 | 41 | 36 | 18 | 12 |
| 64700.W0436 | 34 | 62 | 45.0 | 1.0 | 18.0 | 55 | 46 | 27 | 18 |
| 64700.W0440 | 34 | 62 | 53.0 | 1.0 | 30.0 | 55 | 46 | 27 | 18 |

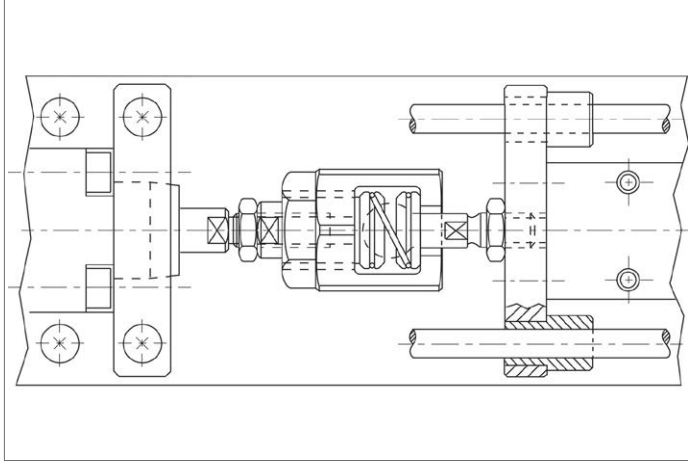


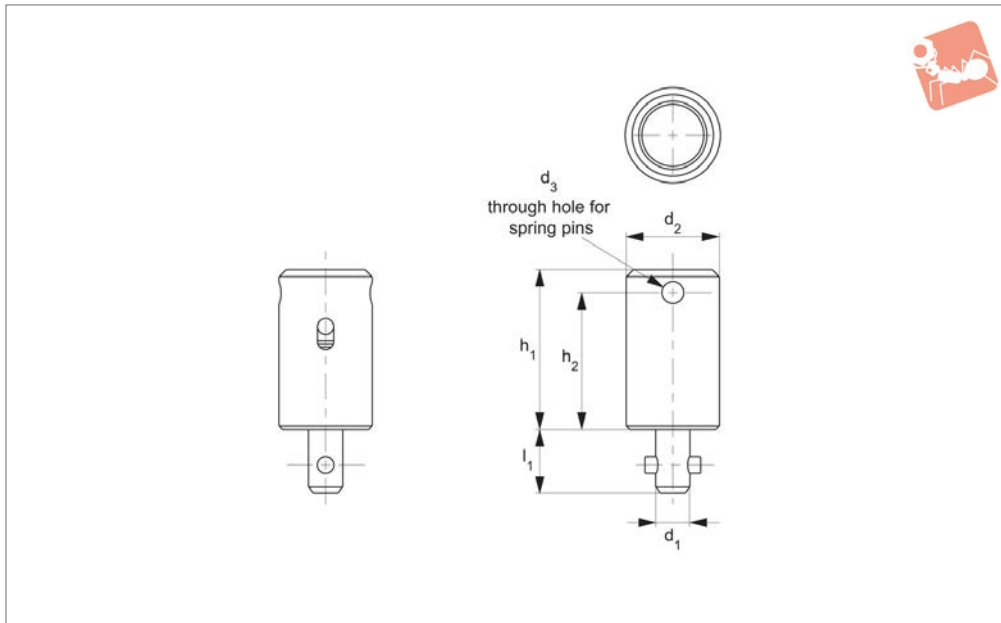
Quick Plug Couplings

with angular radial offset compensation



COUPLINGS





64775

COUPLINGS

Material

Body: steel S45C, nickel plated.
Pin and Spring: stainless steel, SUS304

Technical Notes

For quick coupling/uncoupling of components within a linear movement application. Coupling via means of a 90° turn of coupling into the cam locking receiver. Please order receivers separately, see part nos. 64780 and 64782. Temperature resistant to 200 °C

Tips

Can be linked to pneumatic and hydraulic

lifting cylinders in many different applications.

Important Notes

Suitable only for linear movement applications, does not transmit any torque.

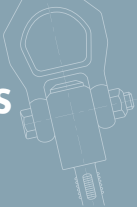
Actuation:

- Following installation dimensions for both coupling and receiver in introductory pages.
- Once coupling and receiver are correctly installed, align male coupling to female receiver, paying attention to correctly

align pins on the coupling's shaft to holes in receiver.

- Engage coupling and receiver, to lock turn shaft or block 90 degrees to clamp.
- When properly locked an audible „click“ is heard.
- When properly installed, repeatability of upto +/- 0.08mm is achievable.
- To release, reverse steps described above.

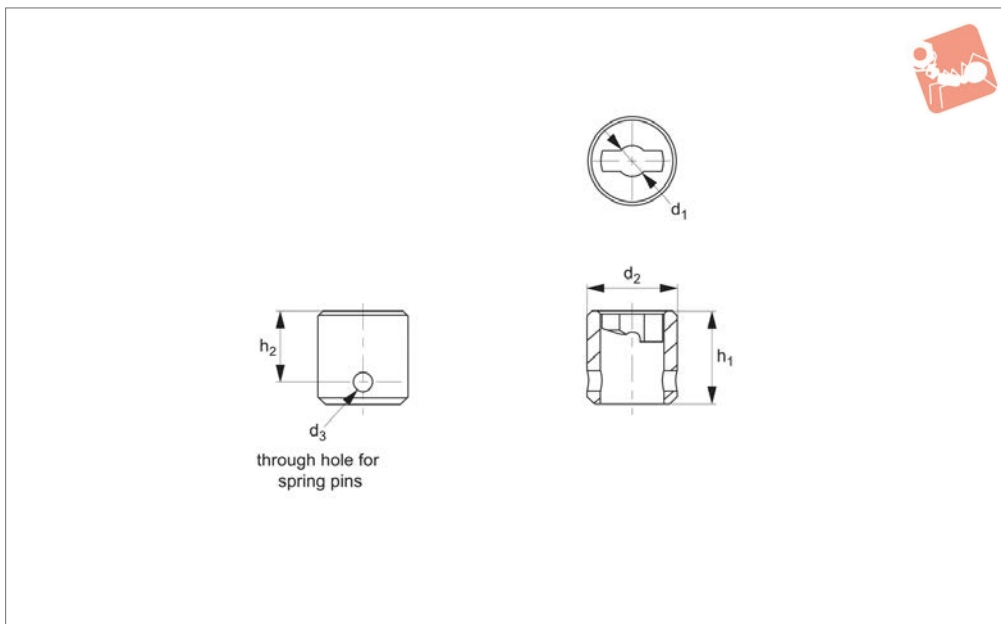
| Order No. | d_1 -0.04 -0.08 | d_2 -0.04 -0.08 | d_3 | h_1 | h_2 | l_1 | Shear strength N | Tensile strength N | Clamping force N max. | Weight g |
|-------------|----------------------|----------------------|-------|-------|-------|-------|---------------------|-----------------------|-----------------------------|-------------|
| 64775.W0514 | 5 | 14 | 3 | 23.5 | 20 | 9.5 | 1800 | 1200 | 30 | 25 |



COUPLINGS



64780



Material

Body: tempered steel SCM440, nickel plated.

Technical Notes

Receiver for use with quick plug coupling,

cam locking no. 64775. Shaft mount version suited to installation on shafts; such as the end of pneumatic or hydraulic cylinders.

Temperature resistant to 200° C

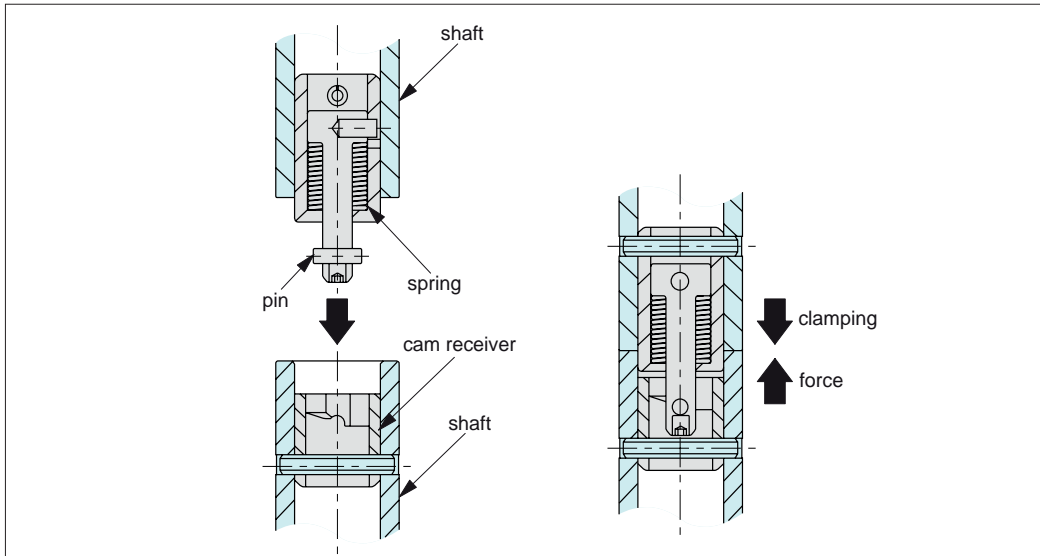
Important Notes

Suitable only for linear movement applications, does not transmit any torque.

| Order No. | d_1 +0.08 +0.04 | d_2 tol. h9 | d_3 | h_1 | h_2 | Weight g |
|-------------|----------------------|------------------|-------|-------|-------|-------------|
| 64780.W0514 | 5 | 14 | 3 | 14.5 | 11 | 10 |



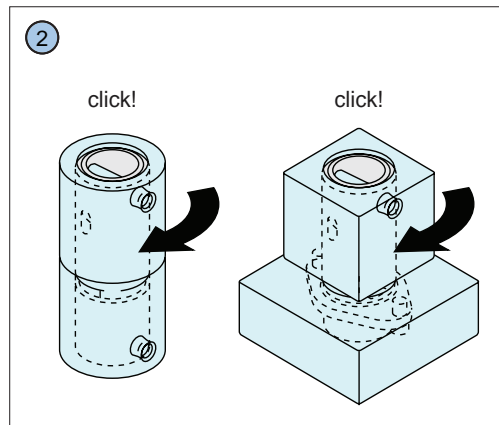
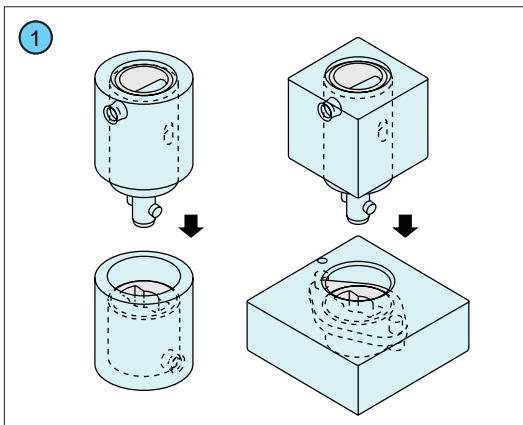
Operating Principle



When the male quick plug coupling is fully inserted into the receiver and actuated, the internal spring is compressed to clamp the shaft.

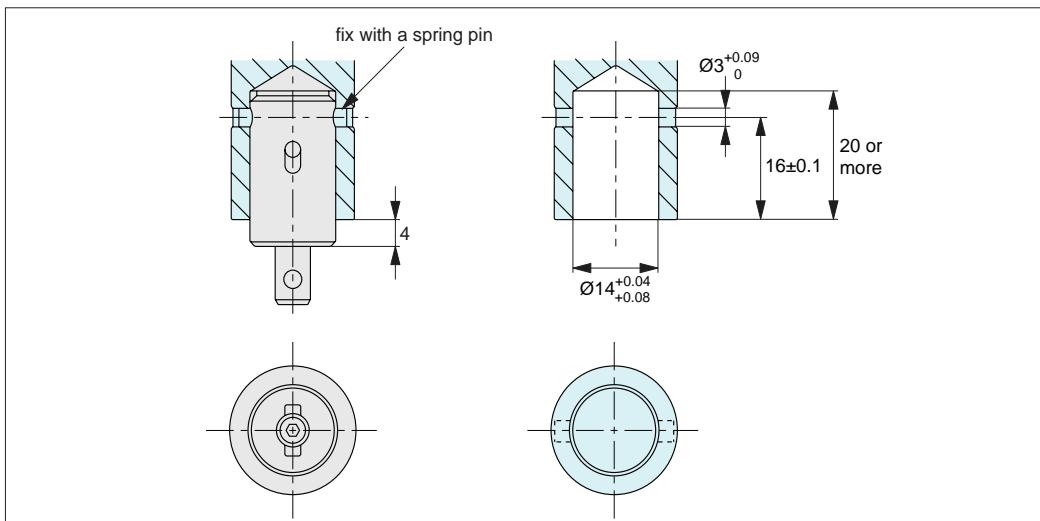
COUPLINGS

Operating Instructions



- 1 Insert the shaft into the keyway of cam receiver.
- 2 Rotate the shaft block 90° to clamp the element. An audible click can be heard when clamped. For unclamping, reverse these steps.

Operating Dimensions

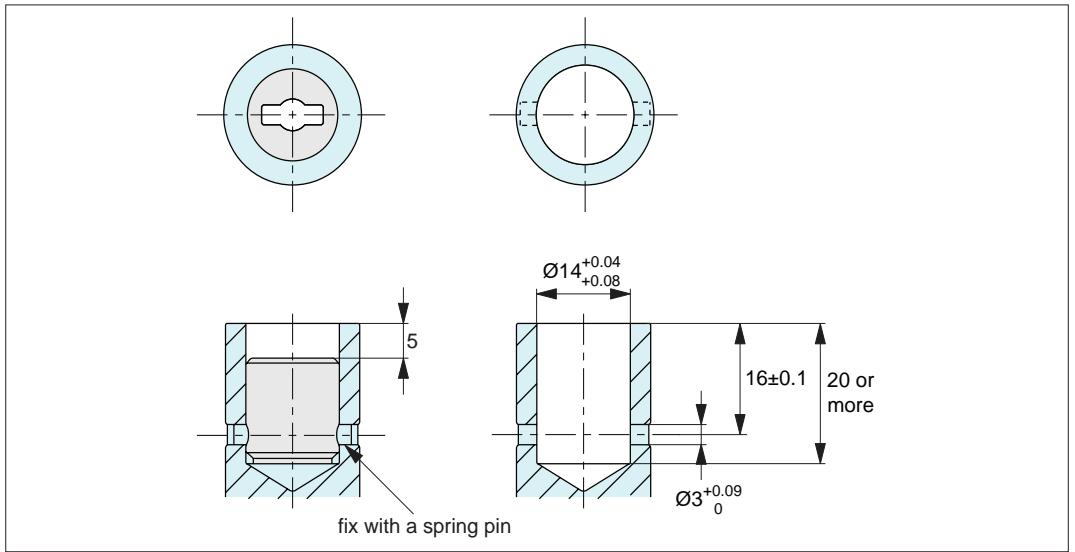


How to mount shaft coupling clamp

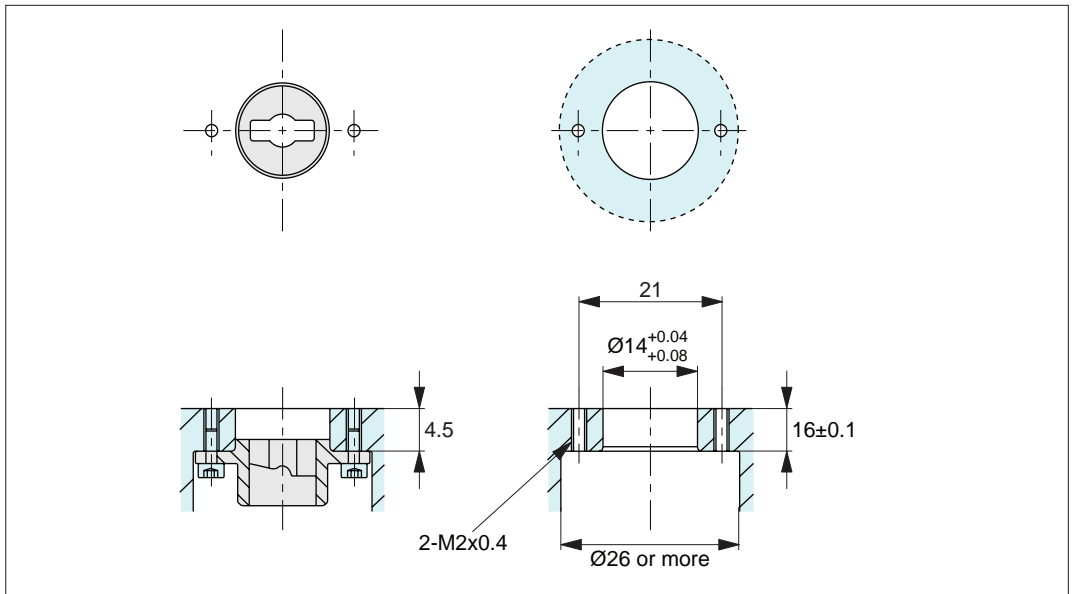
ov-W64775-A-T-W64780-A-T-a-rnh-Updated -28-10-2022



How to mount receiver (shaft mount)

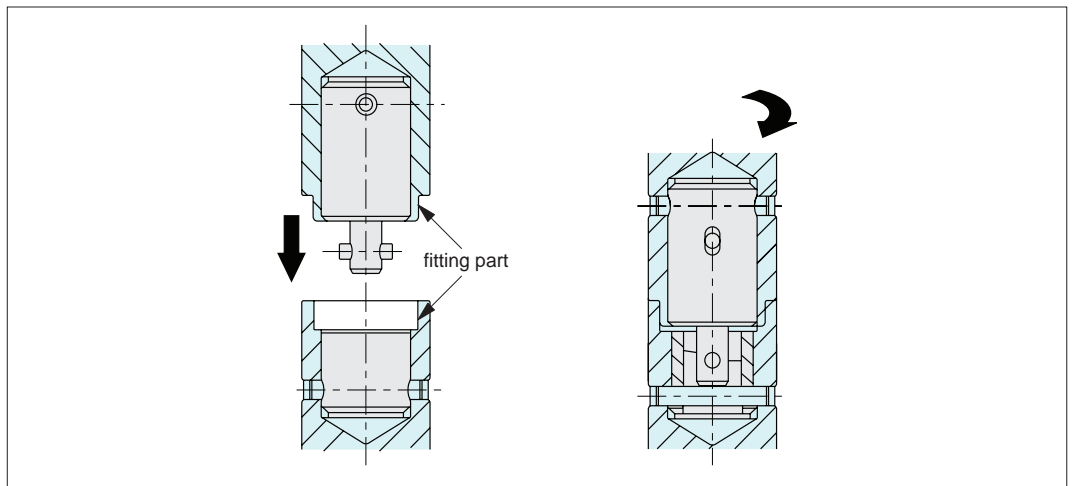


How to mount receiver (plate mount)



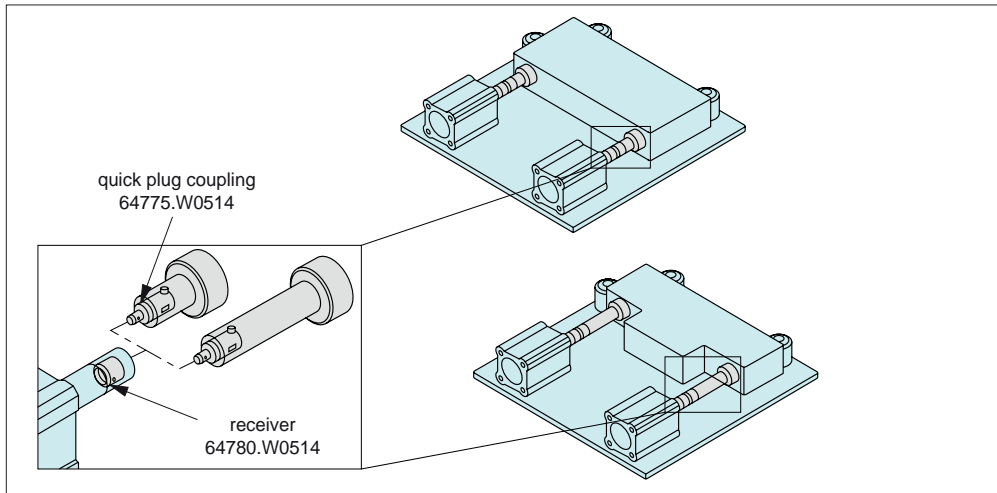
Repeatability

Prepare male and female fittings for highly accurate locating. Repeatability of ± 0.08 is achievable.

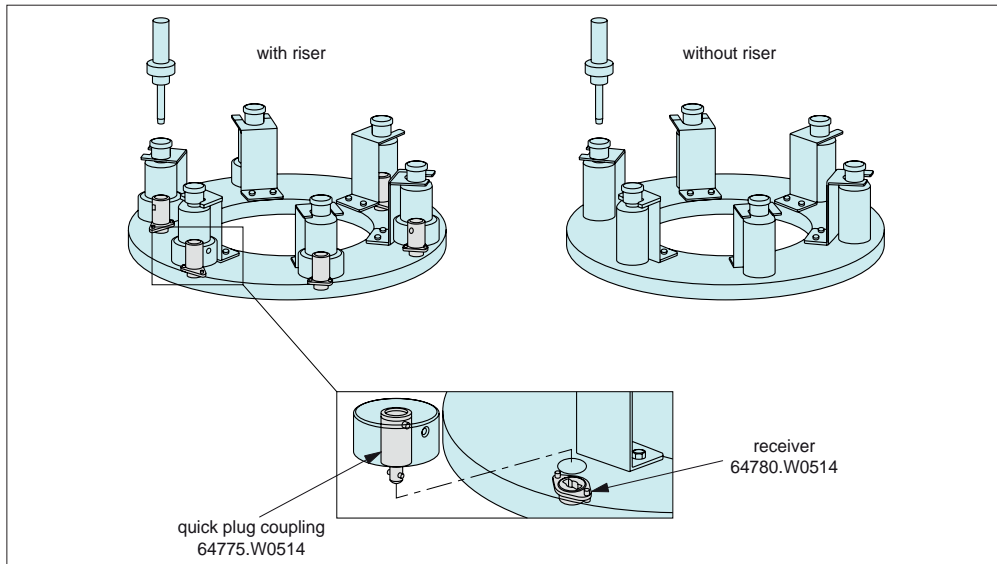




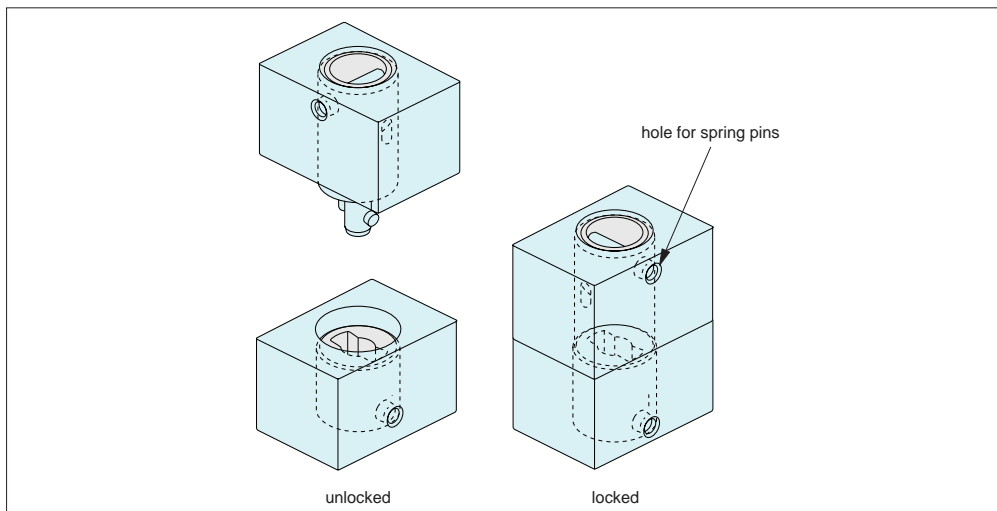
Changes of thrust pads



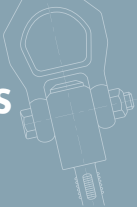
Changes of riser



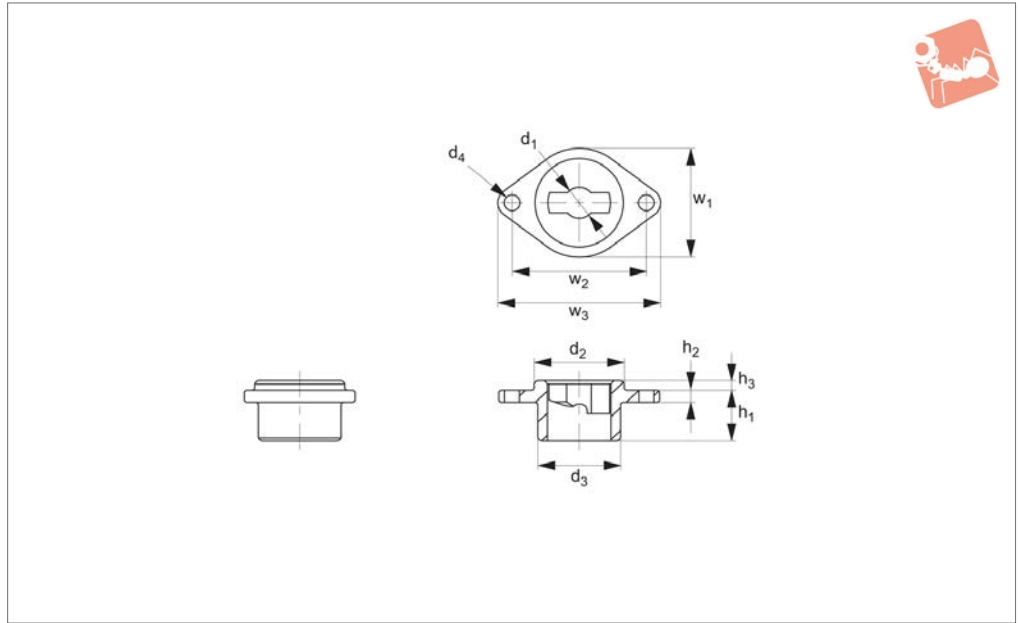
Notes



Pay attention to the direction of holes for spring pins.



64782



Material

Body: tempered steel SCM440, nickel plated.

Technical Notes

Receiver for use with quick plug coupling,

cam locking no. 64775. Plate mount version suited to installation in thin walled parts, and sub-flush to the mounting surface.

Temperature resistant to 200° C

Suitable only for linear movement applications, does not transmit any torque.

| Order No. | d_1 +0.08 +0.04 | d_2 tol. h9 | d_3 | d_4 | h_1 | h_2 | h_3 | w_1 | w_2 | w_3 | Weight g |
|--------------------|----------------------|------------------|-------|-------|-------|-------|-------|-------|-------|-------|-------------|
| 64782.W0514 | 5 | 14 | 13 | 2.4 | 8 | 2 | 1.5 | 17 | 21 | 25 | 8 |