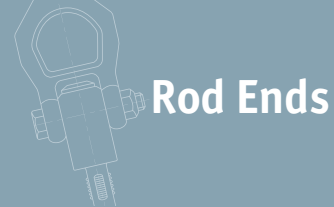


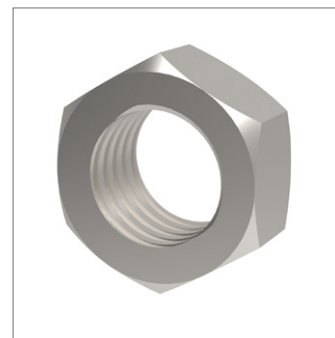
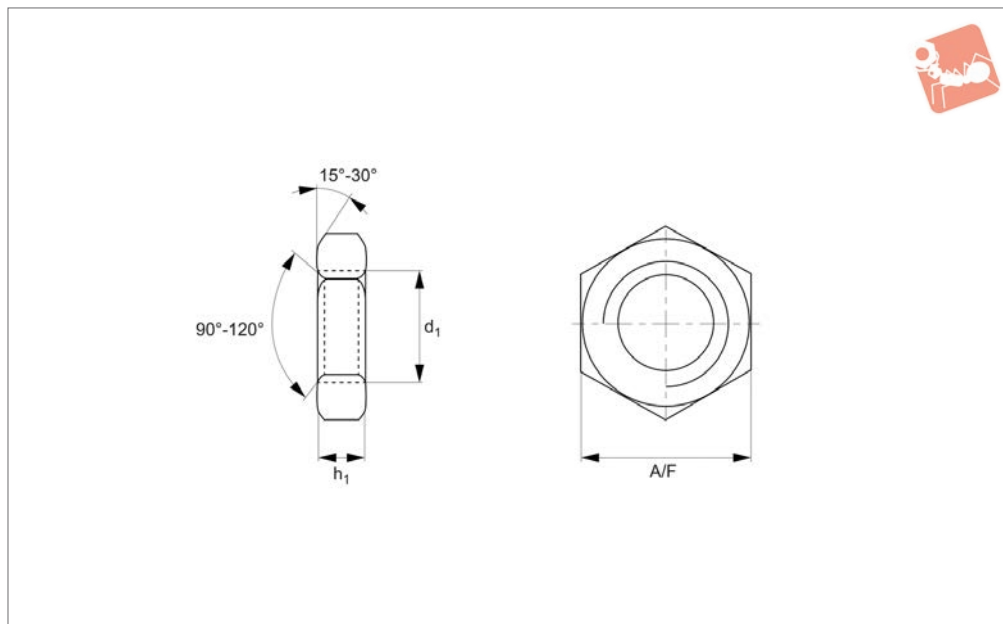


Lock Nuts Coarse Thread

A2 stainless



Rod Ends



65690.A2

ROD ENDS

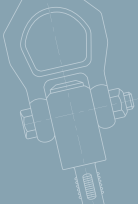
Material

Stainless steel (A2).

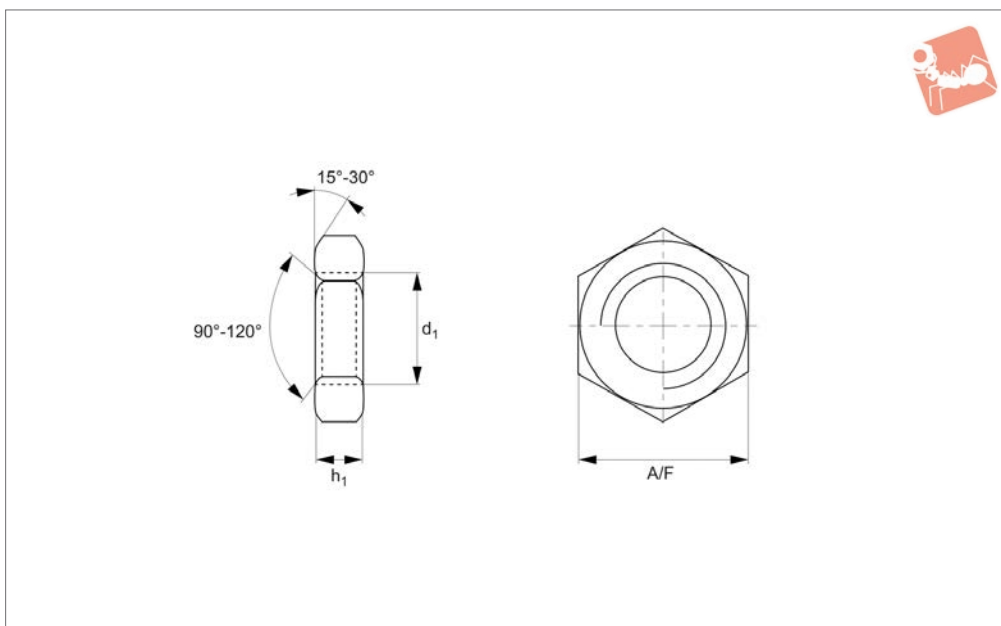
Technical Notes

To DIN 439. Standard metric coarse pitch threads.

Order No.	d ₁	h ₁	A/F	Material
65690.016-A2	M1,6	0.75	3.2	A2 s/s
65690.017-A2	M1,7	0.75	3.5	A2 s/s
65690.020-A2	M 2	0.95	4	A2 s/s
65690.023-A2	M2,3	0.95	4.5	A2 s/s
65690.025-A2	M2,5	1.35	5	A2 s/s
65690.026-A2	M2,6	1.35	5	A2 s/s
65690.030-A2	M 3	1.55	5.5	A2 s/s
65690.040-A2	M 4	1.95	7	A2 s/s
65690.050-A2	M 5	2.45	8	A2 s/s
65690.060-A2	M 6	2.9	10	A2 s/s
65690.080-A2	M 8	3.7	13	A2 s/s
65690.100-A2	M10	4.7	17	A2 s/s
65690.120-A2	M12	5.7	19	A2 s/s
65690.140-A2	M14	6.42	22	A2 s/s
65690.160-A2	M16	7.42	24	A2 s/s
65690.180-A2	M18	8.42	27	A2 s/s
65690.200-A2	M20	9.1	30	A2 s/s
65690.220-A2	M22	9.9	34	A2 s/s
65690.240-A2	M24	10.9	36	A2 s/s
65690.270-A2	M27	12.4	41	A2 s/s
65690.300-A2	M30	13.9	46	A2 s/s
65690.330-A2	M33	15.4	50	A2 s/s
65690.360-A2	M36	16.9	55	A2 s/s
65690.420-A2	M42	19.7	65	A2 s/s
65690.480-A2	M48	22.7	75	A2 s/s



65690.A4



Material

Stainless steel (A4).

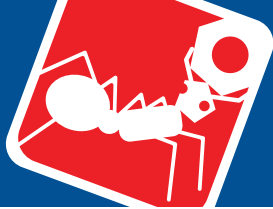
threads.

For fine thread lock nuts see P0306.

Technical Notes

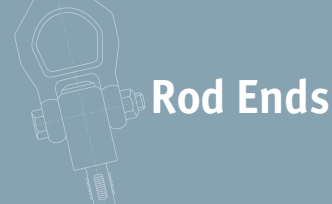
To DIN 439. Standard metric coarse pitch

Order No.	d ₁	h ₁	A/F	Material
65690.016-A4	M1,6	0.75	3.2	A4 s/s
65690.017-A4	M1,7	0.75	3.5	A4 s/s
65690.020-A4	M 2	0.95	4	A4 s/s
65690.023-A4	M2,3	0.95	4.5	A4 s/s
65690.025-A4	M2,5	1.35	5	A4 s/s
65690.026-A4	M2,6	1.35	5	A4 s/s
65690.030-A4	M 3	1.55	5.5	A4 s/s
65690.040-A4	M 4	1.95	7	A4 s/s
65690.050-A4	M 5	2.45	8	A4 s/s
65690.060-A4	M 6	2.9	10	A4 s/s
65690.080-A4	M 8	3.7	13	A4 s/s
65690.100-A4	M10	4.7	17	A4 s/s
65690.120-A4	M12	5.7	19	A4 s/s
65690.140-A4	M14	6.42	22	A4 s/s
65690.160-A4	M16	7.42	24	A4 s/s
65690.180-A4	M18	8.42	27	A4 s/s
65690.200-A4	M20	9.1	30	A4 s/s
65690.220-A4	M22	9.9	34	A4 s/s
65690.240-A4	M24	10.9	36	A4 s/s
65690.270-A4	M27	12.4	41	A4 s/s
65690.300-A4	M30	13.9	46	A4 s/s
65690.330-A4	M33	15.4	50	A4 s/s
65690.360-A4	M36	16.9	55	A4 s/s
65690.420-A4	M42	19.7	65	A4 s/s
65690.480-A4	M48	22.7	75	A4 s/s

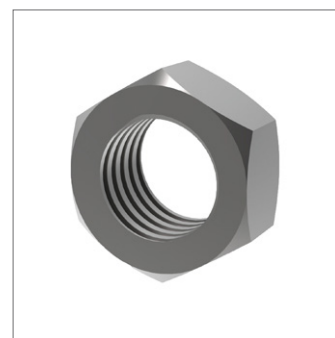
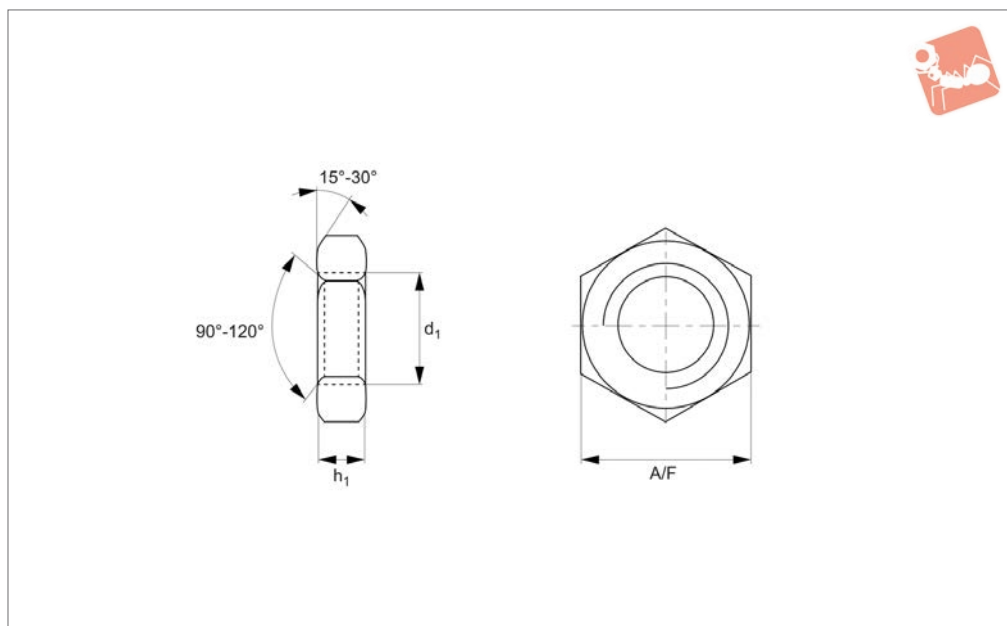


Lock Nuts Coarse Thread

Steel, self-colour



Rod Ends



65690.SC

ROD ENDS

Material

Steel (class 4), self-colour.

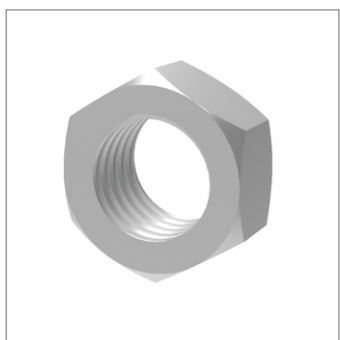
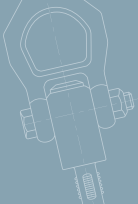
threads.

For fine thread lock nuts see P0306.

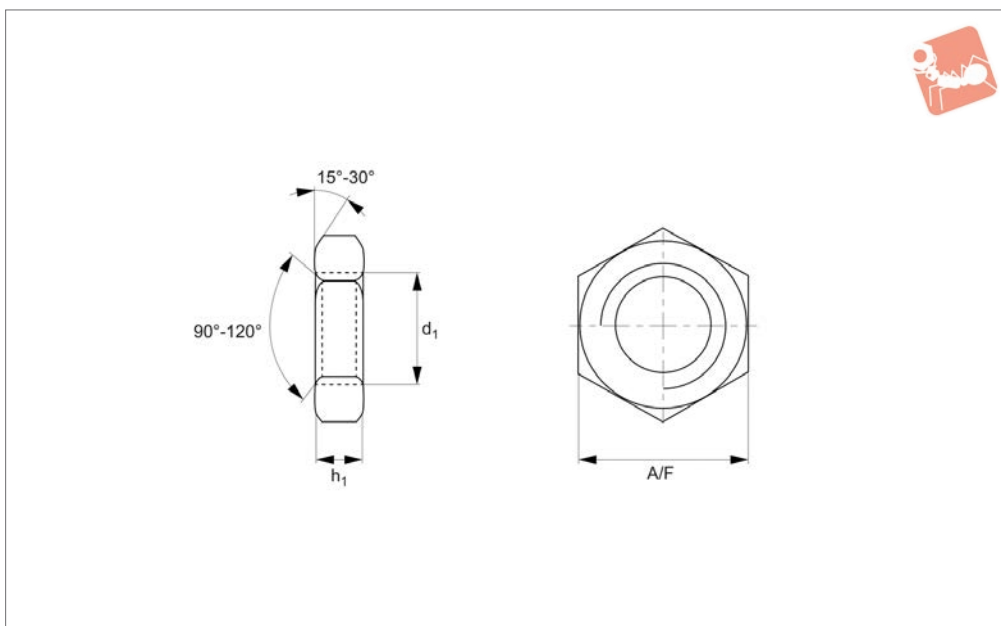
Technical Notes

To DIN 439. Standard metric coarse pitch

Order No.	d ₁	h ₁	A/F	Material
65690.020-SC	M 2	0.95	4	Steel SC
65690.025-SC	M2,6	1.35	5	Steel SC
65690.030-SC	M 3	1.55	5.5	Steel SC
65690.040-SC	M 4	1.95	7	Steel SC
65690.050-SC	M 5	2.45	8	Steel SC
65690.060-SC	M 6	2.9	10	Steel SC
65690.080-SC	M 8	3.7	13	Steel SC
65690.100-SC	M10	4.7	17	Steel SC
65690.120-SC	M12	5.7	19	Steel SC
65690.140-SC	M14	6.42	22	Steel SC
65690.160-SC	M16	7.42	24	Steel SC
65690.180-SC	M18	8.42	27	Steel SC
65690.200-SC	M20	9.1	30	Steel SC
65690.220-SC	M22	9.9	34	Steel SC
65690.240-SC	M24	10.9	36	Steel SC
65690.270-SC	M27	12.4	41	Steel SC
65690.300-SC	M30	13.9	46	Steel SC
65690.330-SC	M33	15.4	50	Steel SC
65690.360-SC	M36	16.9	55	Steel SC



65690.ZP



Material

Steel (class 4), zinc-plated.

threads.

For fine thread lock nuts see P0306.

Technical Notes

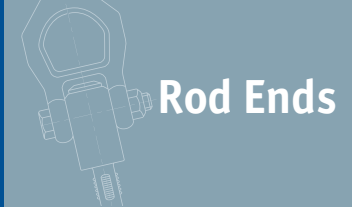
To DIN 439. Standard metric coarse pitch

Order No.	d ₁	h ₁ min.	A/F	Material
65690.020-ZP	M 2	0.95	4	Steel ZP
65690.025-ZP	M2,5	1.35	5	Steel ZP
65690.030-ZP	M 3	1.55	5.5	Steel ZP
65690.040-ZP	M 4	1.95	7	Steel ZP
65690.050-ZP	M 5	2.45	8	Steel ZP
65690.060-ZP	M 6	2.9	10	Steel ZP
65690.080-ZP	M 8	3.7	13	Steel ZP
65690.100-ZP	M10	4.7	17	Steel ZP
65690.120-ZP	M12	5.7	19	Steel ZP
65690.140-ZP	M14	6.42	22	Steel ZP
65690.160-ZP	M16	7.42	24	Steel ZP
65690.180-ZP	M18	8.42	27	Steel ZP
65690.200-ZP	M20	9.1	30	Steel ZP
65690.220-ZP	M22	9.9	34	Steel ZP
65690.240-ZP	M24	10.9	36	Steel ZP
65690.270-ZP	M27	12.4	41	Steel ZP
65690.300-ZP	M30	13.9	46	Steel ZP
65690.330-ZP	M33	15.4	50	Steel ZP
65690.360-ZP	M36	16.9	55	Steel ZP

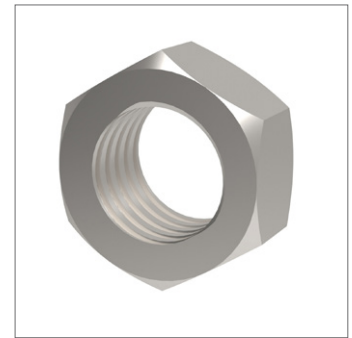
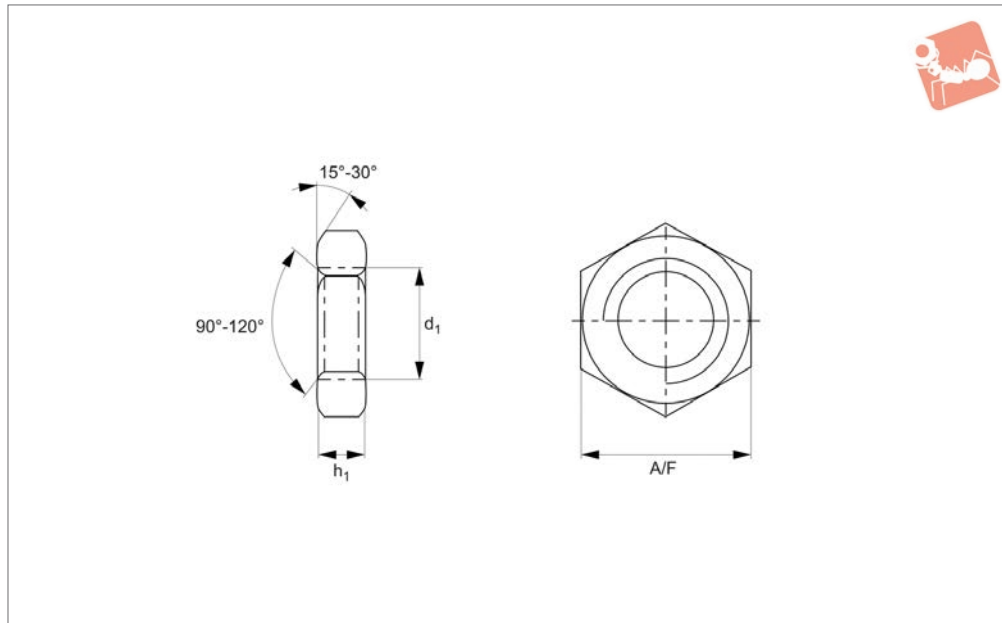


Lock Nuts Left Hand Thread

303 series stainless



ROD ENDS



65691.A2

ROD ENDS

Material

Stainless steel (AISI 303, 1.4305).

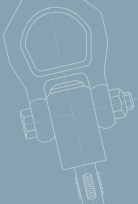
Standard threads are coarse pitch.

Fine threads are indicated by an A & B suffix.

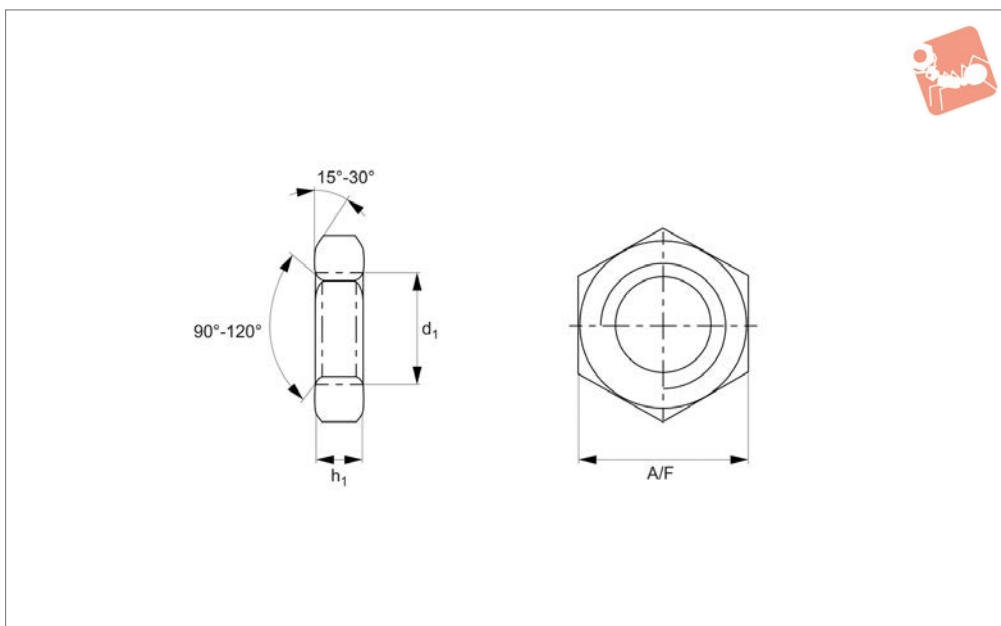
Technical Notes

To DIN 439. Left hand threads.

Order No.	d ₁	h ₁ min.	A/F	Material
65691.060-A2	M 6	2.9	10	A2 s/s
65691.080-A2	M 8	3.7	13	A2 s/s
65691.100-A2	M10	4.7	17	A2 s/s
65691.100-100-A2	M10x1,0	4.7	17	A2 s/s
65691.100-125-A2	M10x1,25	4.7	17	A2 s/s
65691.120-A2	M12	5.7	19	A2 s/s
65691.120-100-A2	M12x1,0	5.7	19	A2 s/s
65691.120-125-A2	M12x1,25	5.7	19	A2 s/s
65691.120-150-A2	M12x1,5	5.7	19	A2 s/s
65691.140-A2	M14	7	22	A2 s/s
65691.160-A2	M16	7.42	24	A2 s/s
65691.160-150-A2	M16x1,5	7.42	24	A2 s/s
65691.180-A2	M18	9	27	A2 s/s
65691.200-A2	M20	9.1	30	A2 s/s
65691.200-150-A2	M20x1,5	9.1	30	A2 s/s
65691.220-150-A2	M22x1,5	9.1	32	A2 s/s
65691.240-A2	M24	10.9	36	A2 s/s
65691.240-150-A2	M24x1,5	10.9	36	A2 s/s
65691.240-200-A2	M24x2,0	10.9	36	A2 s/s
65691.270-A2	M27	13.5	41	A2 s/s
65691.270-150-A2	M27x1,5	13.5	41	A2 s/s
65691.300-A2	M30	13.9	46	A2 s/s
65691.300-150-A2	M30x1,5	13.9	46	A2 s/s
65691.360-A2	M36	16.9	55	A2 s/s



65691.A4



Material

Stainless steel (A4).

Standard threads are coarse pitch.
Fine threads are indicated by an A & B suffix.

Technical Notes

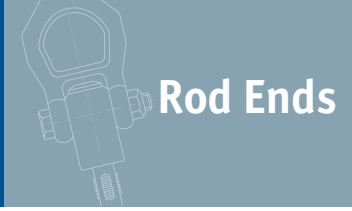
To DIN 439. Left hand threads.

Order No.	d ₁	h ₁	A/F	Material
65691.060-A4	M 6	2.9	10	A4 s/s
65691.080-A4	M 8	3.7	13	A4 s/s
65691.100-A4	M10	4.7	17	A4 s/s
65691.120-A4	M12	5.7	19	A4 s/s
65691.160-A4	M16	7.42	24	A4 s/s
65691.200-A4	M20	9.1	30	A4 s/s
65691.240-A4	M24	10.9	36	A4 s/s
65691.300-A4	M30	13.9	46	A4 s/s
65691.360-A4	M36	16.9	55	A4 s/s

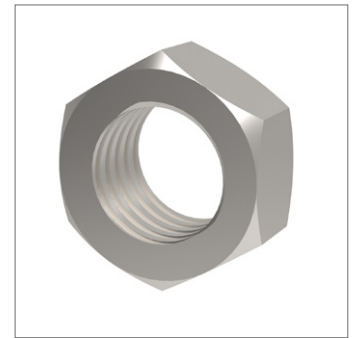
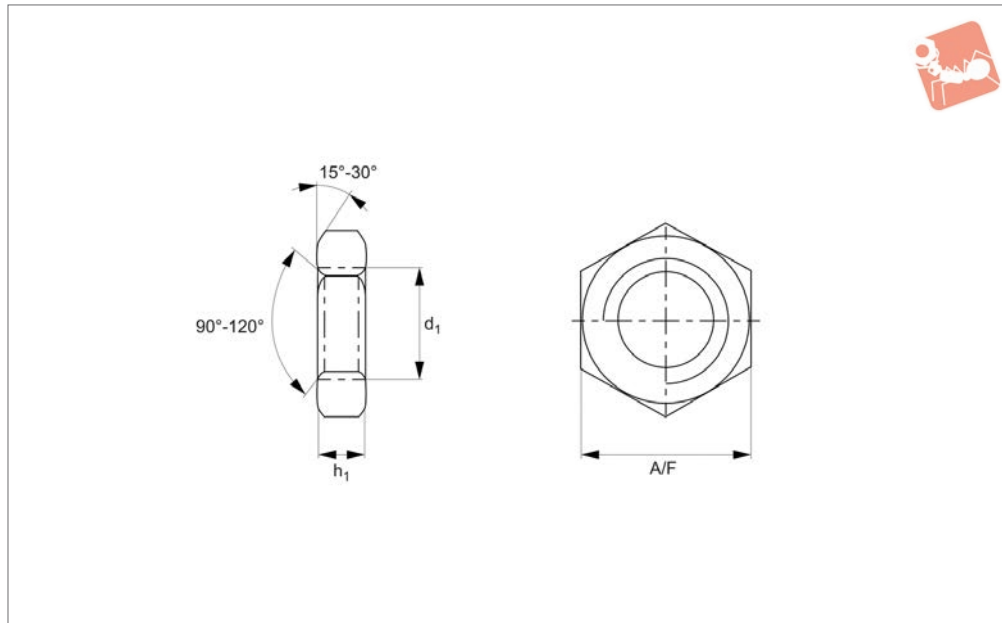


Lock Nuts Left Hand Thread

Steel, zinc-plated



Rod Ends



65691.ZP

ROD ENDS

Material

Steel (class 4), zinc-plated.

Standard threads are coarse pitch.

Fine threads are indicated by an A & B suffix.

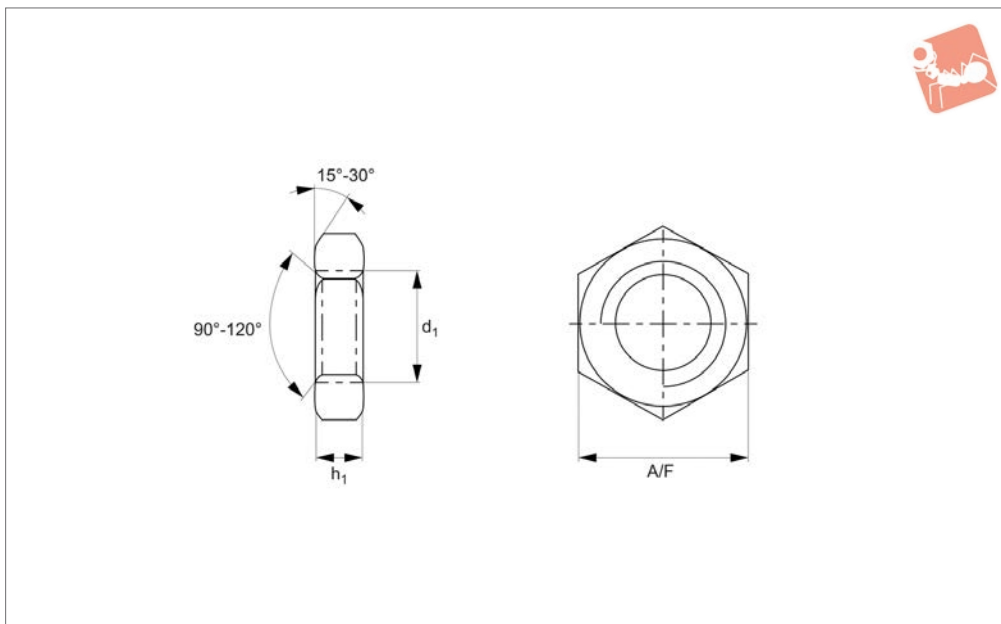
Technical Notes

To DIN 439. Left hand threads.

Order No.	d ₁	h ₁	A/F	Material
65691.050-ZP	M 5	2.7	8	Steel ZP
65691.060-ZP	M 6	2.9	10	Steel ZP
65691.080-ZP	M 8	3.7	13	Steel ZP
65691.100-ZP	M10	4.7	17	Steel ZP
65691.100-100-ZP	M10x1,0	4.7	17	Steel ZP
65691.100-125-ZP	M10x1,25	4.7	17	Steel ZP
65691.120-ZP	M12	5.7	19	Steel ZP
65691.120-125-ZP	M12x1,25	5.7	19	Steel ZP
65691.120-150-ZP	M12x1,5	5.7	19	Steel ZP
65691.160-ZP	M16	7.42	24	Steel ZP
65691.160-150-ZP	M16x1,5	7.42	24	Steel ZP
65691.200-ZP	M20	9.1	30	Steel ZP
65691.200-150-ZP	M20x1,5	9.1	30	Steel ZP
65691.220-150-ZP	M22x1,5	9.1	32	Steel ZP
65691.240-ZP	M24	10.9	36	Steel ZP
65691.240-200-ZP	M24x2,0	10.9	36	Steel ZP
65691.300-ZP	M30	13.9	46	Steel ZP
65691.300-200-ZP	M30x2,0	13.9	46	Steel ZP



65692.A2



Material

Stainless steel (AISI 303, 1.4305).

Technical Notes

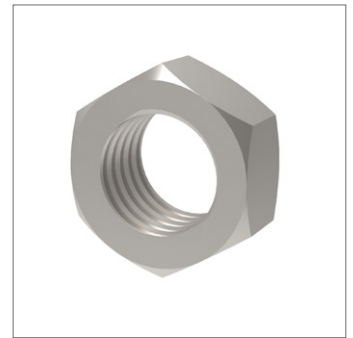
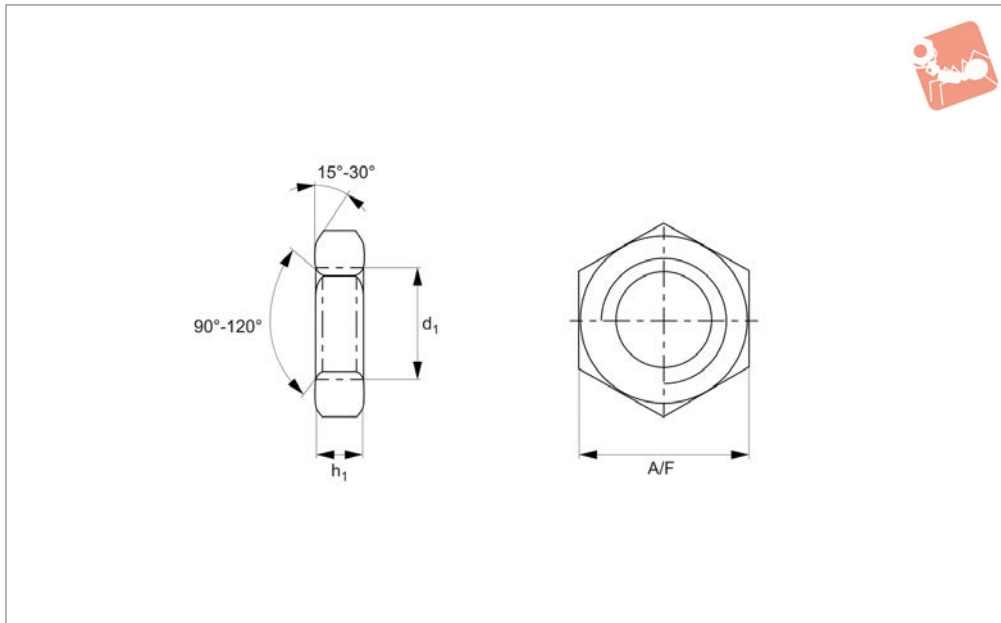
To DIN 439. Fine pitch threads.
For coarse thread lock nuts see P0305.

Order No.	d ₁	h ₁ min.	A/F	Material
65692.080-100-A2	M 8x1,0	3.7	13	A2 s/s
32700.W0515	M10x1,0	4.7	17	A2 s/s
65692.100-125-A2	M10x1,25	4.7	17	A2 s/s
65692.120-125-A2	M12x1,25	5.7	19	A2 s/s
65692.120-150-A2	M12x1,5	5.7	19	A2 s/s
65692.140-150-A2	M14x1,5	6.42	22	A2 s/s
65692.160-150-A2	M16x1,5	7.42	24	A2 s/s
65692.180-150-A2	M18x1,5	8.42	27	A2 s/s
65692.200-150-A2	M20x1,5	9.1	30	A2 s/s
65692.220-150-A2	M22x1,5	9.9	34	A2 s/s
65692.240-150-A2	M24x1,5	10.9	36	A2 s/s
65692.240-200-A2	M24x2,0	10.9	36	A2 s/s
65692.270-150-A2	M27x1,5	12.4	41	A2 s/s
65692.270-200-A2	M27x2,0	12.4	41	A2 s/s
65692.300-150-A2	M30x1,5	13.9	46	A2 s/s
65692.300-200-A2	M30x2,0	13.9	46	A2 s/s
65692.330-200-A2	M33x2,0	15.4	49	A2 s/s
65692.360-150-A2	M36x1,5	16.9	55	A2 s/s

Lock Nuts Fine Thread

A4 stainless

Rod Ends



65692.A4

ROD ENDS

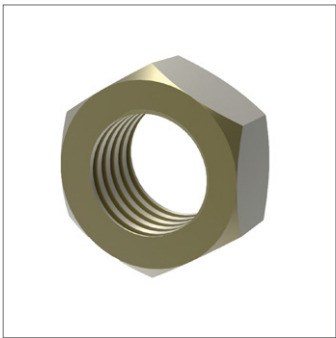
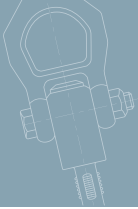
Material

Stainless steel (A4).

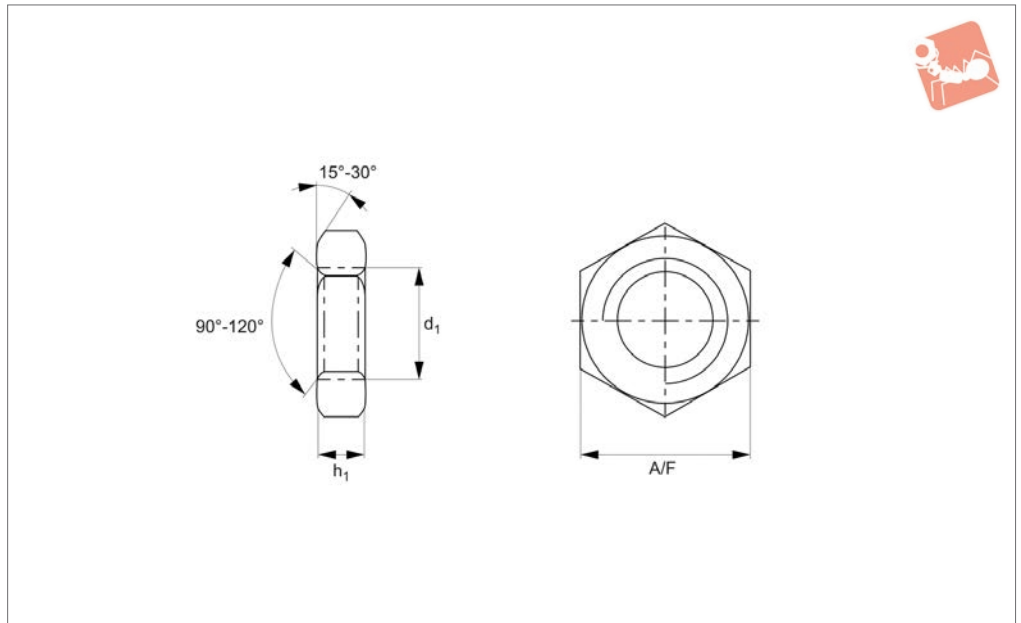
Technical Notes

To DIN 439. Fine pitch threads.
For coarse thread lock nuts see P0305.

Order No.	d ₁	h ₁	A/F	Material
65692.080-100-A4	M 8x1,0	3.7	13	A4 s/s
65692.100-100-A4	M10x1,0	4.7	17	A4 s/s
65692.100-125-A4	M10x1,25	4.7	17	A4 s/s
65692.120-125-A4	M12x1,25	5.7	19	A4 s/s
65692.120-150-A4	M12x1,5	5.7	19	A4 s/s
65692.140-150-A4	M14x1,5	6.42	22	A4 s/s
65692.160-150-A4	M16x1,5	7.42	24	A4 s/s
65692.180-150-A4	M18x1,5	8.42	27	A4 s/s
65692.200-150-A4	M20x1,5	9.1	30	A4 s/s
65692.220-150-A4	M22x1,5	9.9	34	A4 s/s
65692.240-150-A4	M24x1,5	10.9	36	A4 s/s
65692.240-200-A4	M24x2,0	10.9	36	A4 s/s
65692.270-150-A4	M27x1,5	12.4	41	A4 s/s
65692.270-200-A4	M27x2,0	12.4	41	A4 s/s
65692.300-150-A4	M30x1,5	13.9	46	A4 s/s
65692.300-200-A4	M30x2,0	13.9	46	A4 s/s
65692.330-200-A4	M33x2,0	15.4	49	A4 s/s
65692.360-150-A4	M36x1,5	16.9	55	A4 s/s



65692.BR



Material

Brass.

Technical Notes

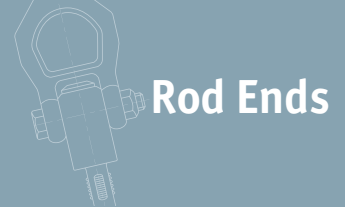
To DIN 439. Fine pitch threads.
For coarse thread lock nuts see P0305.

Order No.	d	h	A/F	Material
65692.300-150-BR	M30x1,5	13.9	46	Brass

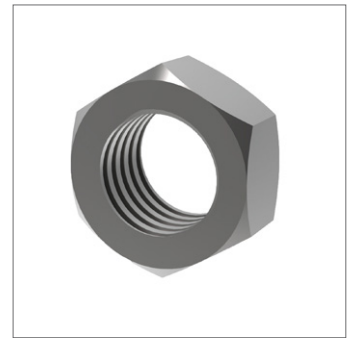
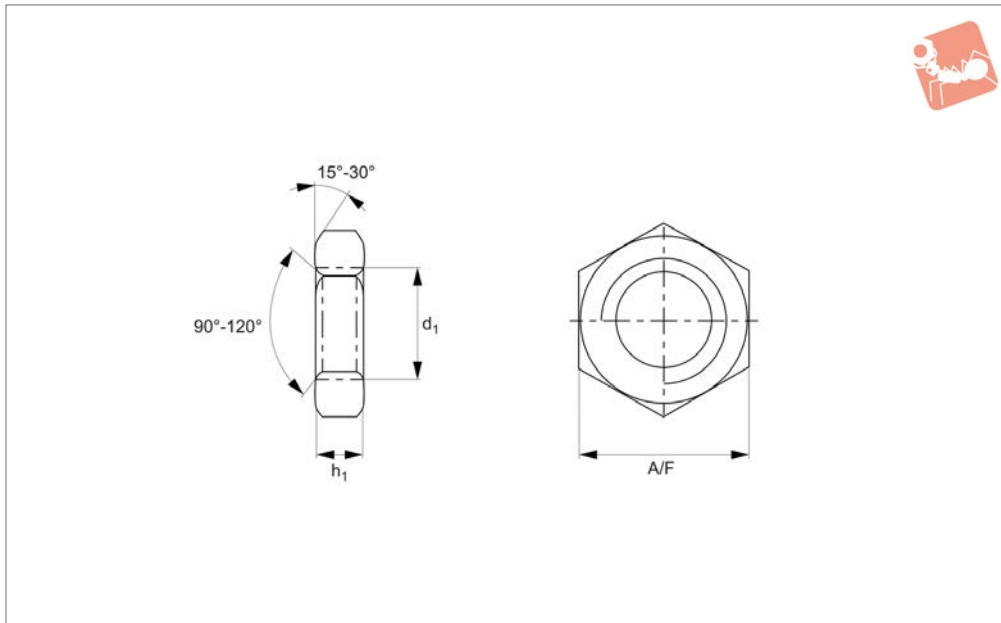


Lock Nuts Fine Thread

Steel, self-colour



Rod Ends



65692.SC

ROD ENDS

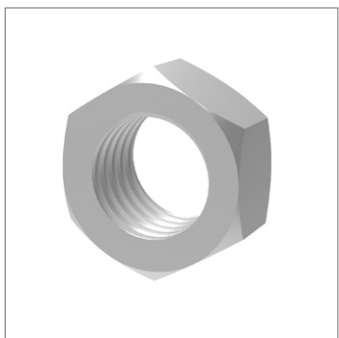
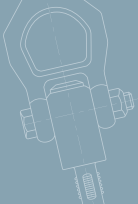
Material

Steel (class 4), self-colour.

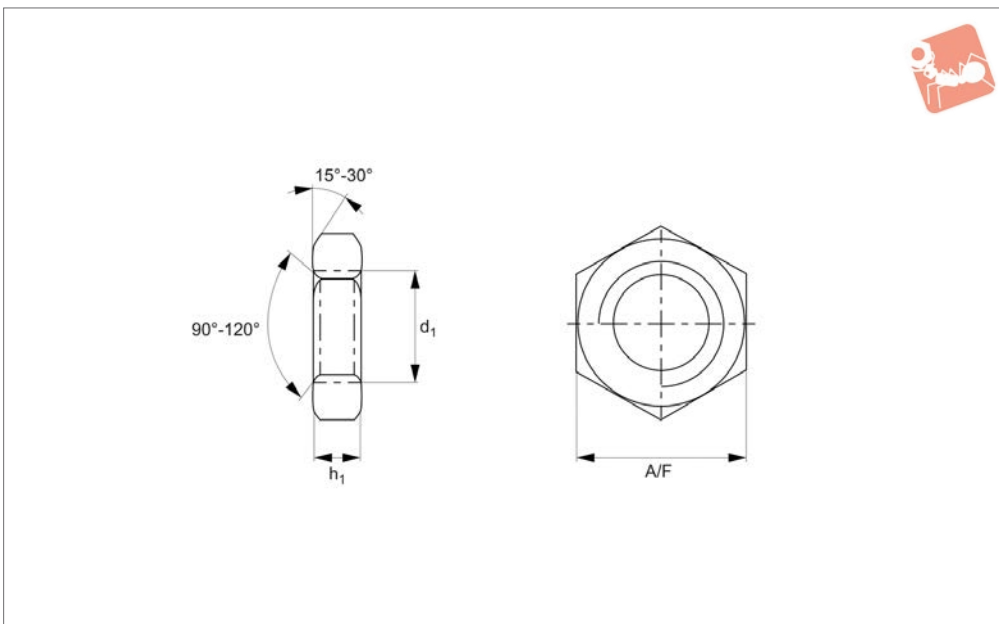
Technical Notes

To DIN 439. Fine pitch threads.
For coarse thread lock nuts see P0305.

Order No.	d ₁	h ₁	A/F	Material
65692.100-100-SC	M10x1,0	4.7	17	Steel SC
65692.100-125-SC	M10x1,25	4.7	17	Steel SC
65692.120-125-SC	M12x1,25	5.7	19	Steel SC
65692.140-150-SC	M14x1,5	6.42	22	Steel SC
65692.160-150-SC	M16x1,5	7.42	24	Steel SC
65692.180-150-SC	M18x1,5	8.42	27	Steel SC
65692.200-150-SC	M20x1,5	9.1	30	Steel SC
65692.220-150-SC	M22x1,5	9.9	34	Steel SC
65692.240-150-SC	M24x1,5	10.9	36	Steel SC
65692.240-200-SC	M24x2,0	10.9	36	Steel SC
65692.270-150-SC	M27x1,5	12.4	41	Steel SC
65692.270-200-SC	M27x2,0	12.4	41	Steel SC
65692.300-150-SC	M30x1,5	13.9	46	Steel SC
65692.300-200-SC	M30x2,0	13.9	46	Steel SC
65692.330-200-SC	M33x2,0	15.4	49	Steel SC
65692.360-300-SC	M36x1,5	16.9	55	Steel SC
65692.420-150-SC	M42x1,5	21	65	Steel SC
65692.450-300-SC	M45x3,0	22.5	70	Steel SC
65692.560-200-SC	M56x2,0	28	85	Steel SC



65692.ZP



Material

Steel (class 4), zinc-plated.

Technical Notes

To DIN 439. Fine pitch threads.
For coarse thread lock nuts see P0305.

Order No.	d ₁	h ₁	A/F	Material
65692.080-100-ZP	M 8x1,0	3.7	13	Steel ZP
65692.100-100-ZP	M10x1,0	4.7	17	Steel ZP
65692.100-125-ZP	M10x1,25	4.7	17	Steel ZP
65692.120-125-ZP	M12x1,25	5.7	19	Steel ZP
65692.120-150-ZP	M12x1,5	5.7	19	Steel ZP
65692.140-150-ZP	M14x1,5	6.42	22	Steel ZP
65692.160-150-ZP	M16x1,5	7.42	24	Steel ZP
65692.180-150-ZP	M18x1,5	8.42	27	Steel ZP
65692.200-150-ZP	M20x1,5	9.1	30	Steel ZP
65692.220-150-ZP	M22x1,5	9.9	34	Steel ZP
65692.240-150-ZP	M24x1,5	10.9	36	Steel ZP
65692.240-200-ZP	M24x2,0	10.9	36	Steel ZP
65692.270-150-ZP	M27x1,5	12.4	41	Steel ZP
65692.270-200-ZP	M27x2,0	12.4	41	Steel ZP
65692.300-150-ZP	M30x1,5	13.9	46	Steel ZP
65692.300-200-ZP	M30x2,0	13.9	46	Steel ZP
65692.330-200-ZP	M33x2,0	15.4	49	Steel ZP
65692.360-200-ZP	M36x2,0	16.9	55	Steel ZP
65692.360-300-ZP	M36x3,0	16.9	55	Steel ZP