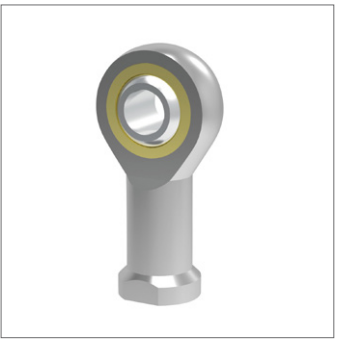
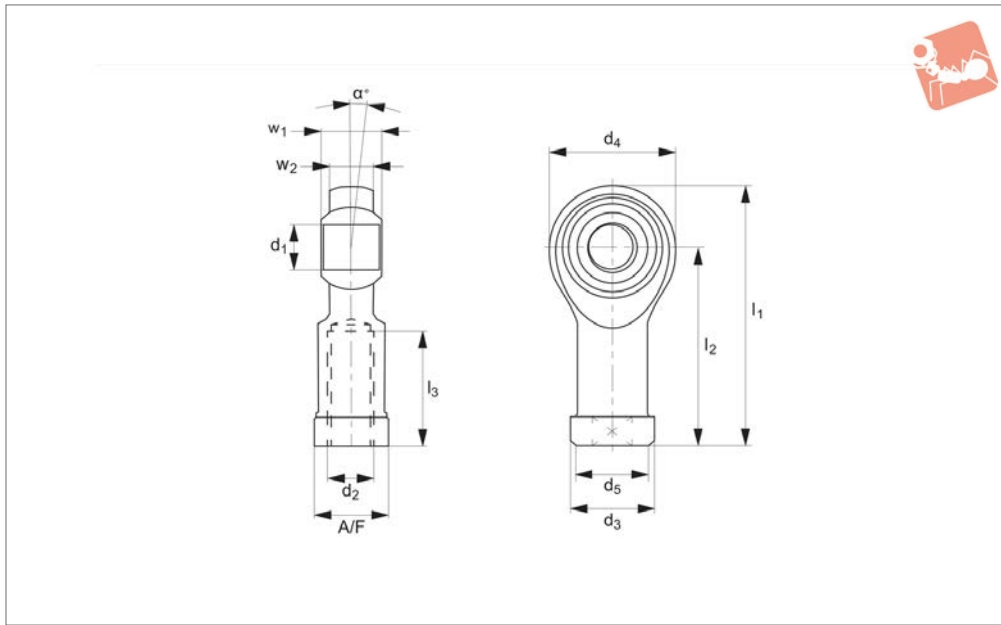
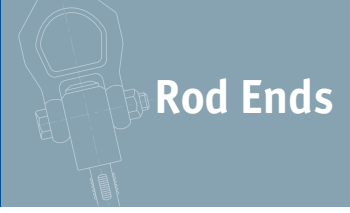




Stainless Low Cost Rod Ends

Female



65726

ROD ENDS

Material

Housing: stainless steel (AISI 303)
Ball: Stainless steel, hardened ground and

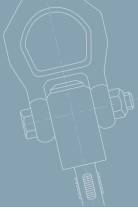
polished stainless steel bearing rings

series K, maintenance free.

Technical Notes

Standard thread is right hand thread,

Order No.	Thread hand	d ₁ tol. H7	l ₁	d ₂	d ₃	d ₄	d ₅	l ₂	l ₃	w ₁	w ₂	A/F	α°	Static load C ₀ kN max.	Weight g
65726.W0005	Right	5	36	M 5	18	11	8.5	27	10	8	6.00	9	13	4.8	16
65726.W0006	Right	6	40	M 6	20	13	10	30	12	9	6.75	11	13	6.2	22
65726.W0008	Right	8	48	M 8	16	24	12.5	36	16	12	9.00	14	14	10.3	47
65726.W0010	Right	10	57	M10	28	19	15	43	20	14	10.50	17	13	14.4	77
65726.W0012	Right	12	66	M12	32	22	17.5	50	22	16	12.00	19	13	19.2	100
65726.W0016	Right	16	85	M16	42	27	22	64	28	21	15.00	22	15	31.2	220
65726.W0505	Left	5	36	M 5	18	11	8.5	27	10	8	6.00	9	13	4.8	16
65726.W0506	Left	6	40	M 6	20	13	10	30	12	9	6.75	11	13	6.2	22
65726.W0508	Left	8	48	M 8	16	24	12.5	36	16	12	9.00	14	14	10.3	47
65726.W0510	Left	10	57	M10	28	19	15	43	20	14	10.50	17	13	14.4	77
65726.W0512	Left	12	66	M12	32	22	17.5	50	22	16	12.00	19	13	19.2	100
65726.W0516	Left	16	85	M16	42	27	22	64	28	21	15.00	22	15	31.2	220



Parts overview



Heavy Duty Rod Ends: integral spherical plain bearings - series K and series E

Male and female rod ends, maintenance free. These are our most popular range of heavy duty rod ends. Bore diameters 5mm up to 30mm.



Spherical Plain Bearings: steel and stainless steel

65974 is our lowest cost, most popular option spherical bearing. Stainless steel version 65976 requires maintenance. 65974 is maintenance free. Bore diameters 5mm up to 30mm.



Heavy Duty Rod Ends: integral ball bearings - series K and series E

Male and female rod ends. Different bore sizes in relation to the thread size. All require maintenance. Bore diameters 6mm up to 30mm.

Stainless Steel Heavy Duty Rod Ends: integral spherical plain bearings

Male and female rod ends maintenance free.



Low Cost Rod Ends: with spherical plain bearing

These are our most popular male and female rod ends. Maintenance free. Female-bore diameters 5mm up to 12mm. Male-bore diameters 5mm up to 16mm.



Rod Ends with Studs

Steel and Stainless steel, male and female, maintenance free. Sizes M6 up to M16.

see our website for our full range:
wixroyd.com