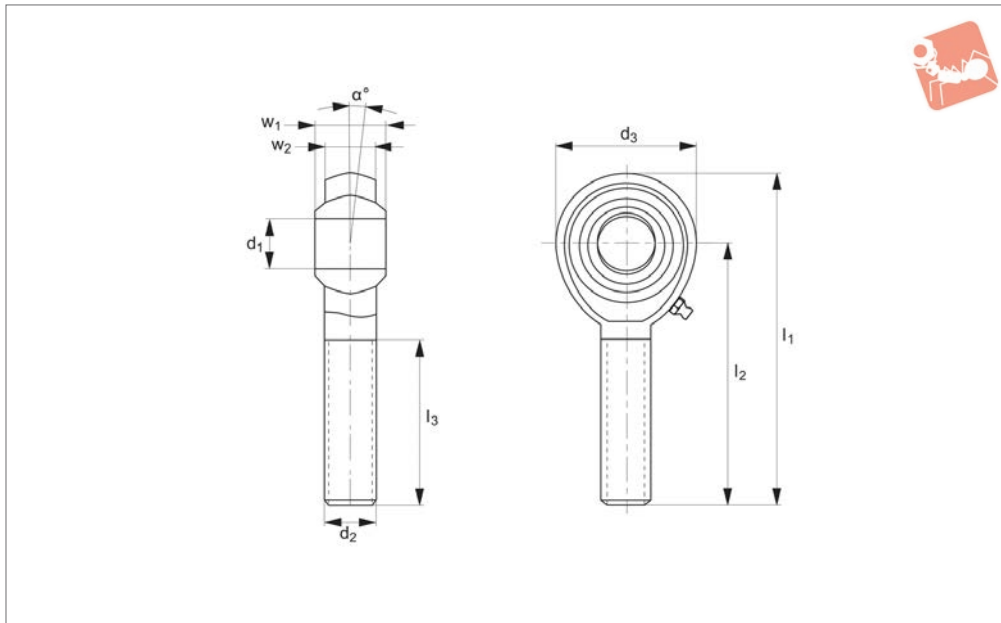
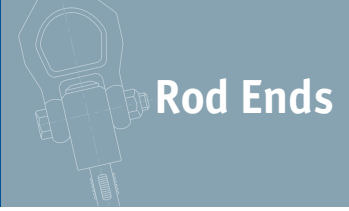




# Stainless Low Cost Rod Ends

## Male



**65706**

ROD ENDS

### Material

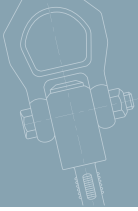
Housing: stainless steel (AISI 303)  
Ball: stainless steel, hardened, ground and polished.

Race: teflon or PTFE liner.  
Stainless steel bearing ring lined with bronze and PTFE Composite

### Technical Notes

Standard thread is right hand thread.

Order No.	Thread hand	d <sub>1</sub> tol. H7	l <sub>1</sub>	d <sub>2</sub>	d <sub>3</sub>	l <sub>2</sub>	α	l <sub>3</sub>	w <sub>1</sub>	w <sub>2</sub>	Static load kN max.	Weight g
65706.W0005	Right	5	42	M5	18	33	13	19	8	6	4.8	13
65706.W0006	Right	6	46	M6	20	36	13	21	9	6.75	6.2	20
65706.W0008	Right	8	54	M8	24	42	14	25	12	9	10.3	38
65706.W0010	Right	10	62	M10	28	48	13	28	14	10.50	14.4	55
65706.W0012	Right	12	70	M12	32	54	13	32	16	12	19.2	85
65706.W0505	Left	5	42	M5	18	33	13	19	8	6	4.8	13
65706.W0506	Left	6	46	M6	20	36	13	21	9	6.75	5.2	20
65706.W0508	Left	8	54	M8	24	42	14	25	12	9	7.0	38
65706.W0510	Left	10	62	M10	28	48	13	28	14	10.50	10.4	55
65706.W0512	Left	12	70	M12	32	54	13	32	16	12	13.0	85

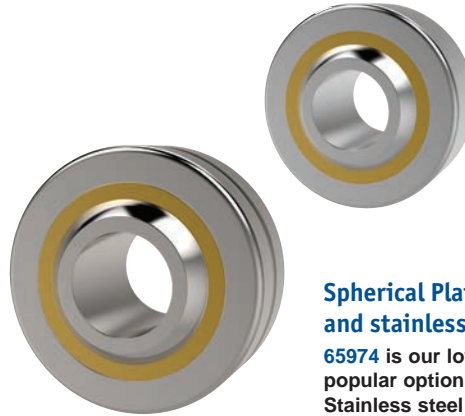


Parts overview



**Heavy Duty Rod Ends: integral spherical plain bearings - series K and series E**

Male and female rod ends, maintenance free. These are our most popular range of heavy duty rod ends. Bore diameters 5mm up to 30mm.



**Spherical Plain Bearings: steel and stainless steel**

65974 is our lowest cost, most popular option spherical bearing. Stainless steel version 65976 requires maintenance. 65974 is maintenance free. Bore diameters 5mm up to 30mm.



**Heavy Duty Rod Ends: integral ball bearings - series K and series E**

Male and female rod ends. Different bore sizes in relation to the thread size. All require maintenance. Bore diameters 6mm up to 30mm.

**Stainless Steel Heavy Duty Rod Ends: integral spherical plain bearings**

Male and female rod ends maintenance free.



**Low Cost Rod Ends: with spherical plain bearing**

These are our most popular male and female rod ends. Maintenance free. Female-bore diameters 5mm up to 12mm. Male-bore diameters 5mm up to 16mm.



**Rod Ends with Studs**

Steel and Stainless steel, male and female, maintenance free. Sizes M6 up to M16.

see our website for our full range:  
[wixroyd.com](http://wixroyd.com)