

65974

ROD ENDS

Material

Housing: undercut steel 11SMnPb30K (1.0718) turned silver zinc plated.
Ball: ball bearing steel 100Cr6 hardened, surface condition polished.

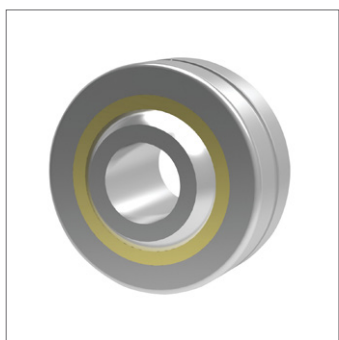
Race: teflon.

Technical Notes
To DIN 12240-1

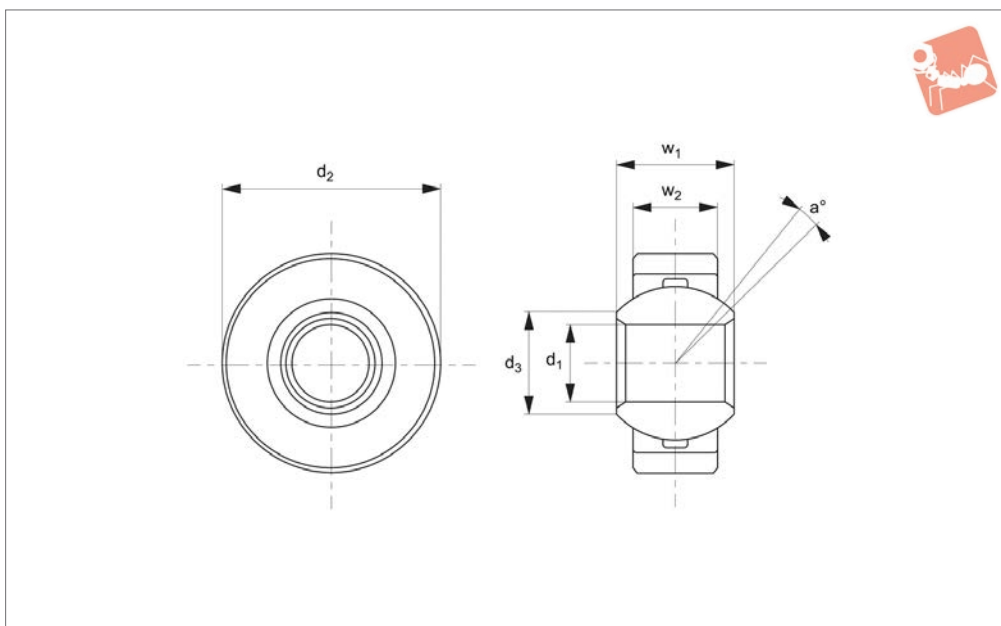
Tips

For stainless steel version see R3641

Order No.	a °	d ₁ tol. H7	d ₂	d ₃	d ₄	r ₁	r ₂	w ₁	w ₂	Static load C ₀ kN max.	Weight g
65974.W0005	13	5	16	7.7	11.10	0.3	1.2	8	6	17	9
65974.W0006	13	6	18	8.9	12.70	0.3	1.2	9	6.75	22	13
65974.W0008	13	8	22	10.3	15.88	0.3	1.2	12	9	36	24
65974.W0010	13	10	26	12.9	19.05	0.3	1.2	14	10.5	50	40
65974.W0012	13	12	30	15.4	22.23	0.4	1.2	16	12	67	80
65974.W0016	15	16	38	19.3	28.58	0.4	1.5	21	15	107	130



65976



Material

Housing: stainless steel (1.4305) turned.
 Bearing shell: special brass CuSn8 surface coated with a PTFE foil.
 Ball: ball bearing steel 100Cr6 hardened, surface condition polished, hard chrome plated.
 Upon request: stainless steel (1.4034) hardened, surface condition polished.

Stainless steel (1.4401) not hardened, surface condition polished.

Technical Notes

Suitable for low speeds and high dynamic loads.

Maintenance free, series K similar to DIN 12240-1 (DIN 648)

Important Notes

Working range -50°C to +200°C
 Recommended shaft tolerance: g6

External diameter of pivoting bearing: h6

Recommended housing tolerance: J7

Order No.	a °	d ₁ tol. H7	d ₂	d ₃	w ₁	w ₂	Admissible rpm min.	Static load C ₀ kN max.	Weight g
65976.W0005	13	5	16	7.7	8	6	600	12.5	8
65976.W0006	13	6	18	8.9	9	6.75	530	15.5	12
65976.W0008	14	8	22	10.4	12	9	420	27.8	23
65976.W0010	13	10	26	12.9	14	10.5	350	39	38
65976.W0012	13	12	30	15.4	16	12	300	53.5	58
65976.W0016	15	16	38	19.3	21	15	230	88	115