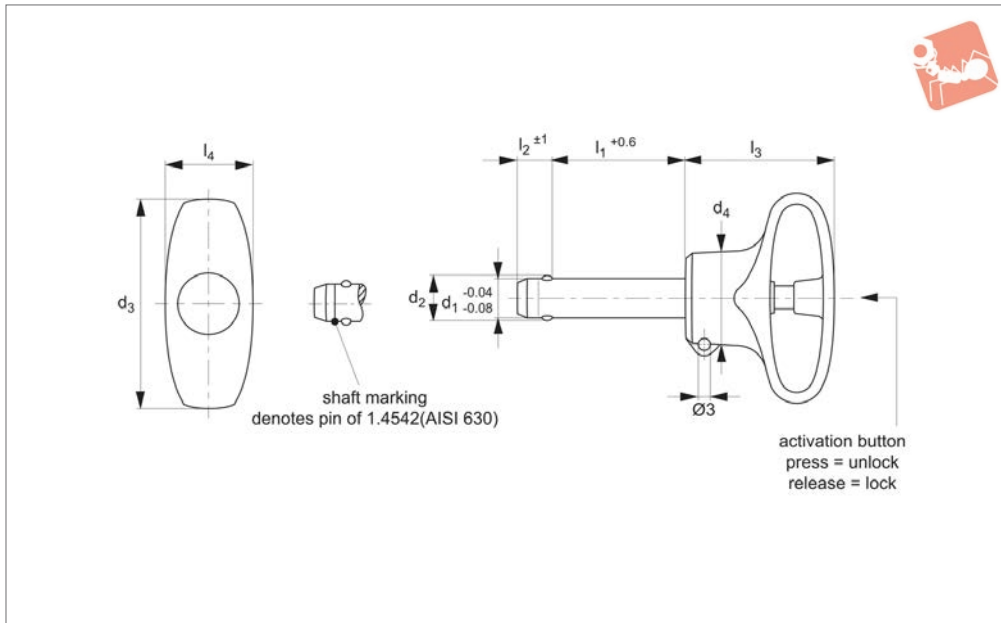




Ball Lock Pins - Single Acting - Elastic self-locking

Ball Lock Pins & Quick Release



33100

BALL LOCK PINS & QUICK RELEASE PINS

Material

Type One-

Pin: Stainless steel 1.4305 (AISI 303).

Type Two-

Pin: Stainless steel 1.4542 (AISI 630), precipitation hardened, blast finish. Offering extreme load capacity. (Marked at end of shaft to denote 1.4542 material).
Handle: plastic (PBT/TPE). Colours avail.; orange/grey

Technical Notes

Pressing = unlocking.

Releasing = locking.

Unique design; elastic handle provides integral spring action to reset pin (hence no internal spring mechanism required).

Tested to over 100,000+ repetitions.

Temperature resistance -30°C to 80°C.

For quick fastening and locking of frequently repeated connections in applica-

tions such as; sports, leisure, medical and general engineering applications.

Tips

For easy to install locating bush see part 33248 <X\33248#26>.

Important Notes

*Shearing resistance similar to DIN 50141.

Order No.	Material	d ₁	l ₁	d ₂	d ₃	d ₄	l ₂	l ₃	l ₄	Location hole dia. tol. H11	Shearing resistance, double kN min.	Weight g
33100.W0712	Stainless 1.4305	5	10	5.5	36	12.7	6.0	31.0	15.9	5	14	9
33100.W0713	Stainless 1.4305	5	15	5.5	36	12.7	6.0	31.0	15.9	5	14	10
33100.W0714	Stainless 1.4305	5	20	5.5	36	12.7	6.0	31.0	15.9	5	14	11
33100.W0715	Stainless 1.4305	5	25	5.5	36	12.7	6.0	31.0	15.9	5	14	11
33100.W0716	Stainless 1.4305	5	30	5.5	36	12.7	6.0	31.0	15.9	5	14	12
33100.W0722	Stainless 1.4305	6	10	7.0	36	12.7	7.0	31.0	15.9	6	21	10
33100.W0723	Stainless 1.4305	6	15	7.0	35	12.7	7.0	31.0	15.9	6	21	11
33100.W0724	Stainless 1.4305	6	20	7.0	36	12.7	7.0	31.0	15.9	6	21	12
33100.W0725	Stainless 1.4305	6	25	7.0	36	12.7	7.0	31.0	15.9	6	21	13
33100.W0726	Stainless 1.4305	6	30	7.0	36	12.7	7.0	31.0	15.9	6	21	14
33100.W0727	Stainless 1.4305	6	35	7.0	36	12.7	7.0	31.0	15.9	6	21	15
33100.W0728	Stainless 1.4305	6	40	7.0	36	12.7	7.0	31.0	15.9	6	21	16
33100.W0729	Stainless 1.4305	6	45	7.0	36	12.7	7.0	31.0	15.9	6	21	18
33100.W0730	Stainless 1.4305	6	50	7.0	36	12.7	7.0	31.0	15.9	6	21	18
33100.W0734	Stainless 1.4305	8	20	9.6	41	16.4	8.2	34.8	19.2	8	38	23
33100.W0735	Stainless 1.4305	8	25	9.6	41	16.4	8.2	34.8	19.2	8	38	25
33100.W0736	Stainless 1.4305	8	30	9.6	41	16.4	8.2	34.8	19.2	8	38	26
33100.W0737	Stainless 1.4305	8	35	9.6	41	16.4	8.2	34.8	19.2	8	38	28
33100.W0738	Stainless 1.4305	8	40	9.6	41	16.4	8.2	34.8	19.2	8	38	30
33100.W0739	Stainless 1.4305	8	45	9.6	41	16.4	8.2	34.8	19.2	8	38	32
33100.W0740	Stainless 1.4305	8	50	9.6	41	16.4	8.2	34.8	19.2	8	38	34
33100.W0744	Stainless 1.4305	10	20	12.0	41	16.4	9.6	34.8	19.2	10	60	30
33100.W0745	Stainless 1.4305	10	25	12.0	41	16.4	9.6	34.8	19.2	10	60	32
33100.W0746	Stainless 1.4305	10	30	12.0	41	16.4	9.6	34.8	19.2	10	60	35
33100.W0747	Stainless 1.4305	10	35	12.0	41	16.4	9.6	34.8	19.2	10	60	38
33100.W0748	Stainless 1.4305	10	40	12.0	41	16.4	9.6	34.8	19.2	10	60	41

Ball Lock Pins & Quick Release

Ball Lock Pins - Single Acting - Elastic self-locking



BALL LOCK PINS & QUICK RELEASE PINS

Order No.	Material	d ₁	l ₁	d ₂	d ₃	d ₄	l ₂	l ₃	l ₄	Location hole dia. tol. H11	Shearing resistance, double kN min.	Weight g
33100.W0749	Stainless 1.4305	10	45	12.0	41	16.4	9.6	34.8	19.2	10	60	44
33100.W0750	Stainless 1.4305	10	50	12.0	41	16.4	9.6	34.8	19.2	10	60	47
33100.W0752	Stainless 1.4305	10	60	12.0	41	16.4	9.6	34.8	19.2	10	60	53
33100.W0765	Stainless 1.4305	12	25	14.5	49	21.2	10.6	40.5	24.8	12	87	54
33100.W0766	Stainless 1.4305	12	30	14.5	49	21.2	10.6	40.5	24.8	12	87	59
33100.W0767	Stainless 1.4305	12	35	14.5	49	21.2	10.6	40.5	24.8	12	87	63
33100.W0768	Stainless 1.4305	12	40	14.5	49	21.2	10.6	40.5	24.8	12	87	67
33100.W0769	Stainless 1.4305	12	45	14.5	49	21.2	10.6	40.5	24.8	12	87	71
33100.W0770	Stainless 1.4305	12	50	14.5	49	21.2	10.6	40.5	24.8	12	87	75
33100.W0772	Stainless 1.4305	12	60	14.5	49	21.2	10.6	40.5	24.8	12	87	84
33100.W0774	Stainless 1.4305	12	70	14.5	49	21.2	10.6	40.5	24.8	12	87	93
33100.W0776	Stainless 1.4305	12	80	14.5	49	21.2	10.6	40.5	24.8	12	87	101
33100.W0786	Stainless 1.4305	16	30	19.0	49	21.2	14.0	40.5	24.8	16	155	91
33100.W0787	Stainless 1.4305	16	35	19.0	49	21.2	14.0	40.5	24.8	16	155	98
33100.W0788	Stainless 1.4305	16	40	19.0	49	21.2	14.0	40.5	24.8	16	155	106
33100.W0789	Stainless 1.4305	16	45	19.0	49	21.2	14.0	40.5	24.8	16	155	114
33100.W0790	Stainless 1.4305	16	50	19.0	49	21.2	14.0	40.5	24.8	16	155	121
33100.W0792	Stainless 1.4305	16	60	19.0	49	21.2	14.0	40.5	24.8	16	155	137
33100.W0794	Stainless 1.4305	16	70	19.0	49	21.2	14.0	40.5	24.8	16	155	152
33100.W0796	Stainless 1.4305	16	80	19.0	49	21.2	14.0	40.5	24.8	16	155	167
33100.W0912	Stainless 1.4542	5	10	5.5	36	12.7	6.0	31.0	15.9	5	24	9
33100.W0913	Stainless 1.4542	5	15	5.5	36	12.7	6.0	31.0	15.9	5	24	10
33100.W0914	Stainless 1.4542	5	20	5.5	36	12.7	6.0	31.0	15.9	5	24	11
33100.W0915	Stainless 1.4542	5	25	5.5	36	12.7	6.0	31.0	15.9	5	24	11
33100.W0916	Stainless 1.4542	5	30	5.5	36	12.7	6.0	31.0	15.9	5	24	12
33100.W0922	Stainless 1.4542	6	10	7.0	36	12.7	7.0	31.0	15.9	6	35	10
33100.W0923	Stainless 1.4542	6	15	7.0	35	12.7	7.0	31.0	15.9	6	35	11
33100.W0924	Stainless 1.4542	6	20	7.0	36	12.7	7.0	31.0	15.9	6	35	12
33100.W0925	Stainless 1.4542	6	25	7.0	36	12.7	7.0	31.0	15.9	6	35	13
33100.W0926	Stainless 1.4542	6	30	7.0	36	12.7	7.0	31.0	15.9	6	35	14
33100.W0927	Stainless 1.4542	6	35	7.0	36	12.7	7.0	31.0	15.9	6	35	15
33100.W0928	Stainless 1.4542	6	40	7.0	36	12.7	7.0	31.0	15.9	6	35	16
33100.W0929	Stainless 1.4542	6	45	7.0	36	12.7	7.0	31.0	15.9	6	35	18
33100.W0930	Stainless 1.4542	6	50	7.0	36	12.7	7.0	31.0	15.9	6	35	18
33100.W0934	Stainless 1.4542	8	20	9.6	41	16.4	8.2	34.8	19.2	8	63	23
33100.W0935	Stainless 1.4542	8	25	9.6	41	16.4	8.2	34.8	19.2	8	63	25
33100.W0936	Stainless 1.4542	8	30	9.6	41	16.4	8.2	34.8	19.2	8	63	26
33100.W0937	Stainless 1.4542	8	35	9.6	41	16.4	8.2	34.8	19.2	8	63	28
33100.W0938	Stainless 1.4542	8	40	9.6	41	16.4	8.2	34.8	19.2	8	63	30
33100.W0939	Stainless 1.4542	8	45	9.6	41	16.4	8.2	34.8	19.2	8	63	32
33100.W0940	Stainless 1.4542	8	50	9.6	41	16.4	8.2	34.8	19.2	8	63	34
33100.W0944	Stainless 1.4542	10	20	12.0	41	16.4	9.6	34.8	19.2	10	100	30
33100.W0945	Stainless 1.4542	10	25	12.0	41	16.4	9.6	34.8	19.2	10	100	32
33100.W0946	Stainless 1.4542	10	30	12.0	41	16.4	9.6	34.8	19.2	10	100	35
33100.W0947	Stainless 1.4542	10	35	12.0	41	16.4	9.6	34.8	19.2	10	100	38
33100.W0948	Stainless 1.4542	10	40	12.0	41	16.4	9.6	34.8	19.2	10	100	41
33100.W0949	Stainless 1.4542	10	45	12.0	41	16.4	9.6	34.8	19.2	10	100	44
33100.W0950	Stainless 1.4542	10	50	12.0	41	16.4	9.6	34.8	19.2	10	100	47
33100.W0952	Stainless 1.4542	10	60	12.0	41	16.4	9.6	34.8	19.2	10	100	53
33100.W0965	Stainless 1.4542	12	25	14.5	49	21.2	10.6	40.5	24.8	12	144	54
33100.W0966	Stainless 1.4542	12	30	14.5	49	21.2	10.6	40.5	24.8	12	144	59
33100.W0967	Stainless 1.4542	12	35	14.5	49	21.2	10.6	40.5	24.8	12	144	63
33100.W0968	Stainless 1.4542	12	40	14.5	49	21.2	10.6	40.5	24.8	12	144	67
33100.W0969	Stainless 1.4542	12	45	14.5	49	21.2	10.6	40.5	24.8	12	144	71
33100.W0970	Stainless 1.4542	12	50	14.5	49	21.2	10.6	40.5	24.8	12	144	75
33100.W0972	Stainless 1.4542	12	60	14.5	49	21.2	10.6	40.5	24.8	12	144	84
33100.W0974	Stainless 1.4542	12	70	14.5	49	21.2	10.6	40.5	24.8	12	144	93
33100.W0976	Stainless 1.4542	12	80	14.5	49	21.2	10.6	40.5	24.8	12	144	101
33100.W0986	Stainless 1.4542	16	30	19.0	49	21.2	14.0	40.5	24.8	16	257	91
33100.W0987	Stainless 1.4542	16	35	19.0	49	21.2	14.0	40.5	24.8	16	257	98
33100.W0988	Stainless 1.4542	16	40	19.0	49	21.2	14.0	40.5	24.8	16	257	106
33100.W0989	Stainless 1.4542	16	45	19.0	49	21.2	14.0	40.5	24.8	16	257	114
33100.W0990	Stainless 1.4542	16	50	19.0	49	21.2	14.0	40.5	24.8	16	257	121
33100.W0992	Stainless 1.4542	16	60	19.0	49	21.2	14.0	40.5	24.8	16	257	137
33100.W0994	Stainless 1.4542	16	70	19.0	49	21.2	14.0	40.5	24.8	16	257	152

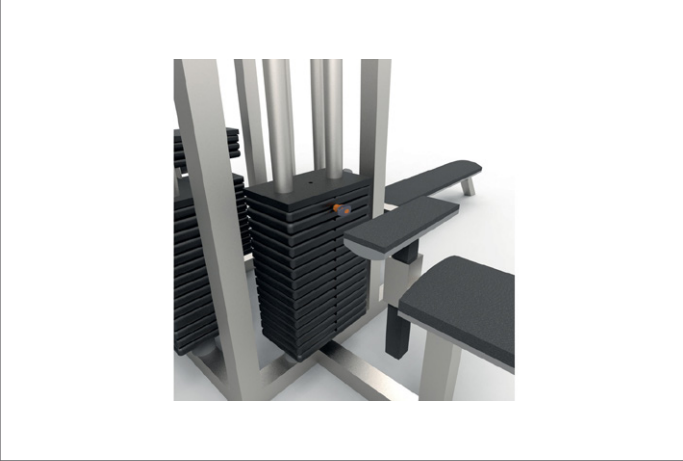


Ball Lock Pins - Single Acting - Elastic self-locking

Ball Lock Pins & Quick Release



Order No.	Material	d ₁	l ₁	d ₂	d ₃	d ₄	l ₂	l ₃	l ₄	Location hole dia. tol. H11	Shearing resistance, double kN min.	Weight g
33100.W0996	Stainless 1.4542	16	80	19.0	49	21.2	14.0	40.5	24.8	16	257	167



BALL LOCK PINS & QUICK RELEASE PINS



Sound Rigging Systems

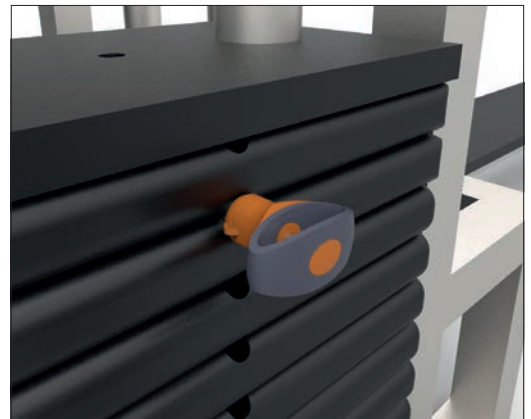
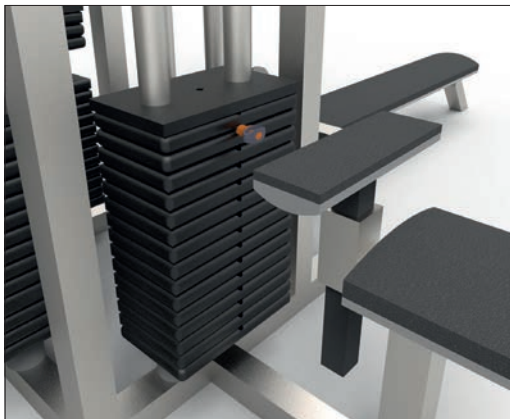
Ball lock pins on a sound rigging system. Offering secure fixing with high shear forces and easy fitting for operators at heights.

In addition full black powder coating of grip and actuation button eliminates glare from other stage lighting.



BALL LOCK PINS & QUICK RELEASE PINS

Gym Equipment



Scientific and Medical

