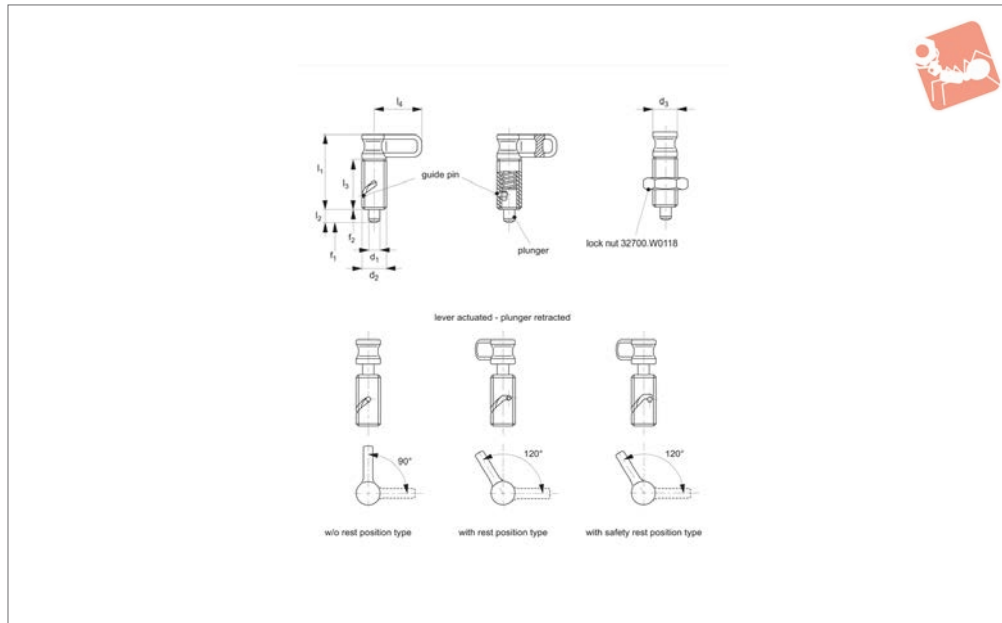




# Index Plungers - Lever Grip

pin protruding at start

# Index Plunger & Pins



**32491**

INDEX PLUNGER & PINS

### Material

Body: steel zinc plated, blue passivated.  
Pin: stainless steel 1.4305 (AISI 303).  
Grip/Lever: thermoplastic, black.

### Technical Notes

**At start position locking pin is protruding, when lever is actuated locking pin retracts.**

The lever can be turned anti-clockwise by 90° or 120°, over a cam guide, to retract

the pin.

Three different types available;

**1) without rest position**- sprung loaded pin which springs back to start position whenever released.

**2) with rest position**- pin held in retracted position via indexed notch on cam.

**3) with safety rest position**- pin held in retracted position via deep notch, to avoid

accidental actuation, lever must first be pulled out of notch prior to release.

**Lock nuts sold separately.** See products 65690 and 65692

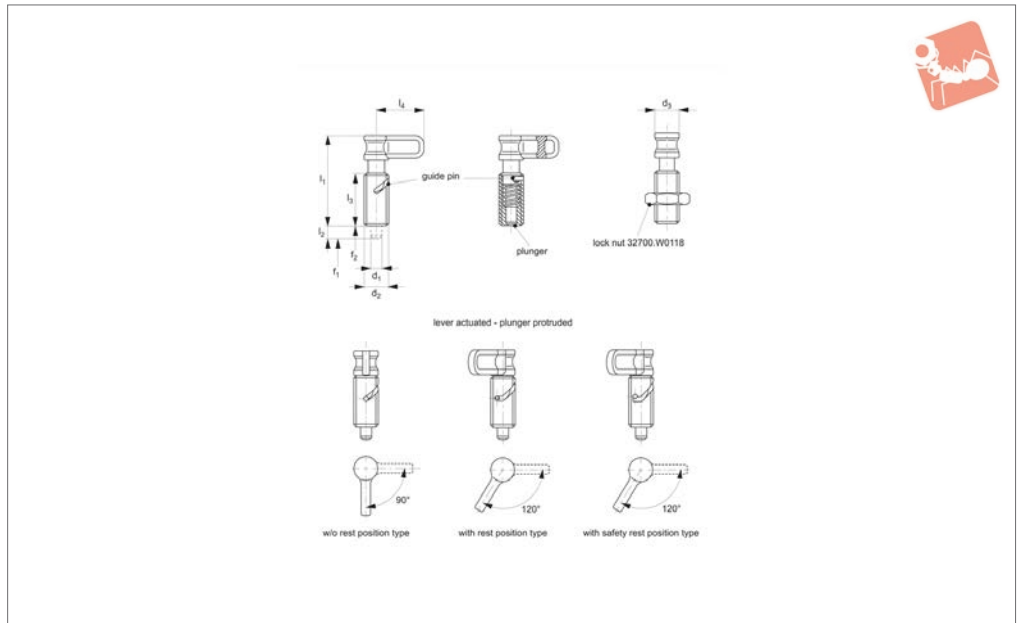
### Tips

Spring Loads\* = statistical average.

| Order No.          | Type                            | d <sub>1</sub> | d <sub>2</sub> | d <sub>3</sub> | l <sub>1</sub><br>≈ | l <sub>2</sub> | l <sub>3</sub><br>min. | l <sub>4</sub> | Spring load F <sub>1</sub><br>N<br>≈ | Spring load F <sub>2</sub><br>N<br>≈ |
|--------------------|---------------------------------|----------------|----------------|----------------|---------------------|----------------|------------------------|----------------|--------------------------------------|--------------------------------------|
| <b>32491.W0006</b> | W/o Rest Position - Spring Back | 6              | M16x1,5        | 16             | 51                  | 8              | 35                     | 32             | 6.5                                  | 20                                   |
| <b>32491.W0007</b> | W/o Rest Position - Spring Back | 8              | M16x1,5        | 16             | 51                  | 8              | 35                     | 32             | 6.5                                  | 20                                   |
| <b>32491.W0009</b> | W/o Rest Position - Spring Back | 10             | M16x1,5        | 16             | 51                  | 8              | 35                     | 32             | 6.5                                  | 20                                   |
| <b>32491.W0356</b> | With Rest Position              | 6              | M16x1,5        | 16             | 51                  | 8              | 35                     | 32             | 6.5                                  | 20                                   |
| <b>32491.W0357</b> | With Rest Position              | 8              | M16x1,5        | 16             | 51                  | 8              | 35                     | 32             | 6.5                                  | 20                                   |
| <b>32491.W0359</b> | With Rest Position              | 10             | M16x1,5        | 16             | 51                  | 8              | 35                     | 32             | 6.5                                  | 20                                   |
| <b>32491.W0456</b> | With Safety Rest Position       | 6              | M16x1,5        | 16             | 51                  | 8              | 35                     | 32             | 6.5                                  | 20                                   |
| <b>32491.W0457</b> | With Safety Rest Position       | 8              | M16x1,5        | 16             | 51                  | 8              | 35                     | 32             | 6.5                                  | 20                                   |
| <b>32491.W0459</b> | With Safety Rest Position       | 10             | M16x1,5        | 16             | 51                  | 8              | 35                     | 32             | 6.5                                  | 20                                   |



## 32492



### Material

Body: steel, zinc plated, blue passivated.  
 Pin: stainless steel, 1.4305 (AISI 303).  
 Grip/Lever: thermoplastic, black.

### Technical Notes

**At start position locking pin is retracted, when lever is actuated locking pin protrudes.**

The lever can be turned anti-clockwise by

90° or 120°, over a cam guide, to extend the pin.

Three different types available;

**1) without rest position**- sprung loaded pin which springs back to start position whenever released.

**2) with rest position**- pin held in protruding position via indexed notch on cam,

**3) with safety rest position**- pin held in

protruding position via deep notch, to avoid accidental actuation, lever must first be pulled out of notch prior to release.

**Lock nuts sold separately.** See products 65690 and 65692

### Tips

Spring Loads\* = statistical average.

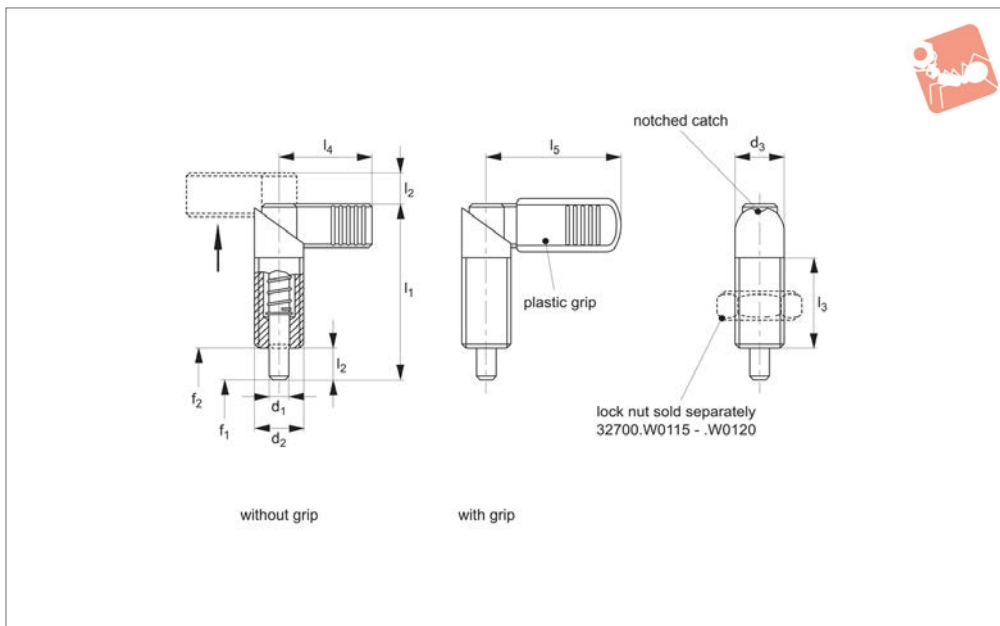
| Order No.   | Type                            | d <sub>1</sub> | d <sub>2</sub> | d <sub>3</sub> | l <sub>1</sub><br>≈ | l <sub>2</sub> | l <sub>3</sub><br>min. | l <sub>4</sub> | Spring load F <sub>1</sub><br>N<br>≈ | Spring load F <sub>2</sub><br>N<br>≈ |
|-------------|---------------------------------|----------------|----------------|----------------|---------------------|----------------|------------------------|----------------|--------------------------------------|--------------------------------------|
| 32492.W0326 | W/o Rest Position - Spring Back | 6              | M16x1,5        | 16             | 60                  | 8              | 35                     | 32             | 7                                    | 16.5                                 |
| 32492.W0327 | W/o Rest Position - Spring Back | 8              | M16x1,5        | 16             | 60                  | 8              | 35                     | 32             | 7                                    | 16.5                                 |
| 32492.W0366 | With Rest Position              | 6              | M16x1,5        | 16             | 60                  | 8              | 35                     | 32             | 7                                    | 16.5                                 |
| 32492.W0367 | With Rest Position              | 8              | M16x1,5        | 16             | 60                  | 8              | 35                     | 32             | 7                                    | 16.5                                 |
| 32492.W0466 | With Safety Rest Position       | 6              | M16x1,5        | 16             | 60                  | 6              | 35                     | 32             | 7                                    | 16.5                                 |
| 32492.W0467 | With Safety Rest Position       | 8              | M16x1,5        | 16             | 60                  | 6              | 35                     | 32             | 7                                    | 16.5                                 |



# Index Plungers - Lever Grip

locking - steel

# Index Plunger & Pins



## 32500

INDEX PLUNGER & PINS

### Material

Body: free-cutting steel, blackened.

Pin: hardened steel.

Plastic grip: thermoplastic, black, dull.

### Technical Notes

Turn lever 180° to retract pin. To enable

pin to be held in retracted position, secure lever in notched catch on plunger body.

Plastic grip type, improves handling.

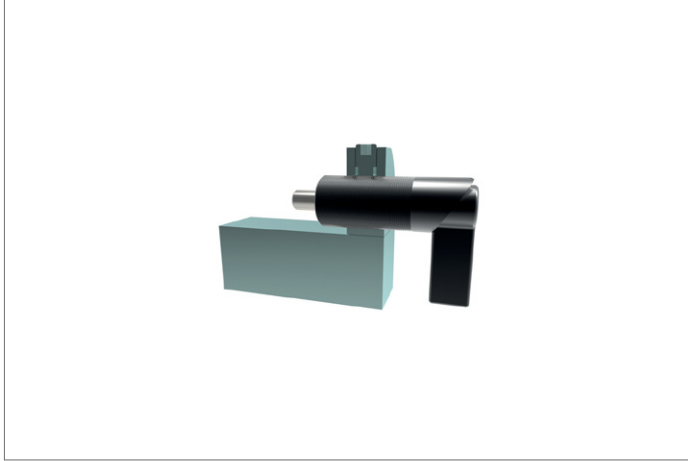
Temperature resistance of type with plastic grip is -30°C to +80°C

**Lock nuts sold separately.** See products 65690 and 65692

### Tips

Spring loads \* = statistical average.

| Order No.   | Type         | $d_1$<br>-0.02 +0.04 | $d_2$   | $d_3$ | $l_1$<br>≈ | $l_2$<br>min. | $l_3$<br>+1.5 | $l_4$ | $l_5$ | Spring load $F_1$<br>N<br>≈ | Spring load $F_2$<br>N | Weight<br>g |
|-------------|--------------|----------------------|---------|-------|------------|---------------|---------------|-------|-------|-----------------------------|------------------------|-------------|
| 32500.W0000 | Without Grip | 4                    | M10x1,0 | 10    | 37.5       | 6             | 19            | 21    | -     | 8.5                         | 25.0                   | 17.0        |
| 32500.W0001 | Without Grip | 5                    | M10x1,0 | 10    | 37.5       | 6             | 19            | 21    | -     | 8.5                         | 25.0                   | 18.0        |
| 32500.W0002 | Without Grip | 6                    | M10x1,0 | 10    | 37.5       | 6             | 19            | 21    | -     | 8.5                         | 25.0                   | 18.0        |
| 32500.W0003 | Without Grip | 5                    | M12x1,5 | 12    | 47.0       | 8             | 26            | 26    | -     | 8.5                         | 19.5                   | 29.0        |
| 32500.W0004 | Without Grip | 6                    | M12x1,5 | 12    | 47.0       | 8             | 26            | 26    | -     | 8.5                         | 19.5                   | 29.0        |
| 32500.W0006 | Without Grip | 6                    | M16x1,5 | 16    | 56.0       | 10            | 30            | 32    | -     | 11.5                        | 30.5                   | 59.0        |
| 32500.W0005 | Without Grip | 8                    | M12x1,5 | 12    | 47.0       | 8             | 26            | 26    | -     | 8.5                         | 19.5                   | 30.0        |
| 32500.W0007 | Without Grip | 8                    | M16x1,5 | 16    | 56.0       | 10            | 30            | 32    | -     | 11.5                        | 30.5                   | 61.0        |
| 32500.W0008 | Without Grip | 8                    | M20x1,5 | 20    | 69.0       | 12            | 36            | 37    | -     | 21.0                        | 57.5                   | 121.0       |
| 32500.W0009 | Without Grip | 10                   | M16x1,5 | 16    | 56.0       | 10            | 30            | 32    | -     | 11.5                        | 30.5                   | 64.0        |
| 32500.W0010 | Without Grip | 10                   | M20x1,5 | 20    | 69.0       | 12            | 36            | 37    | -     | 21.0                        | 57.5                   | 123.0       |
| 32500.W0012 | Without Grip | 12                   | M20x1,5 | 20    | 69.0       | 12            | 36            | 37    | -     | 21.0                        | 57.5                   | 127.0       |
| 32500.W0353 | With Grip    | 5                    | M12x1,5 | 12    | 47.0       | 8             | 26            | -     | 32    | 8.5                         | 19.5                   | 30.0        |
| 32500.W0354 | With Grip    | 6                    | M12x1,5 | 12    | 47.0       | 8             | 26            | -     | 32    | 8.5                         | 19.5                   | 30.0        |
| 32500.W0356 | With Grip    | 6                    | M16x1,5 | 16    | 56.0       | 10            | 30            | -     | 42    | 11.5                        | 30.5                   | 61.0        |
| 32500.W0355 | With Grip    | 8                    | M12x1,5 | 12    | 47.0       | 8             | 26            | -     | 32    | 8.5                         | 19.5                   | 32.0        |
| 32500.W0357 | With Grip    | 8                    | M16x1,5 | 16    | 56.0       | 10            | 30            | -     | 42    | 11.5                        | 30.5                   | 63.0        |
| 32500.W0358 | With Grip    | 8                    | M20x1,5 | 20    | 69.0       | 12            | 36            | -     | 52    | 21.0                        | 57.5                   | 124.0       |
| 32500.W0359 | With Grip    | 10                   | M16x1,5 | 16    | 56.0       | 10            | 30            | -     | 42    | 11.5                        | 30.5                   | 66.0        |
| 32500.W0360 | With Grip    | 10                   | M20x1,5 | 20    | 69.0       | 12            | 36            | -     | 52    | 21.0                        | 57.5                   | 128.0       |
| 32500.W0362 | With Grip    | 12                   | M20x1,5 | 20    | 69.0       | 12            | 36            | -     | 52    | 21.0                        | 57.5                   | 131.0       |

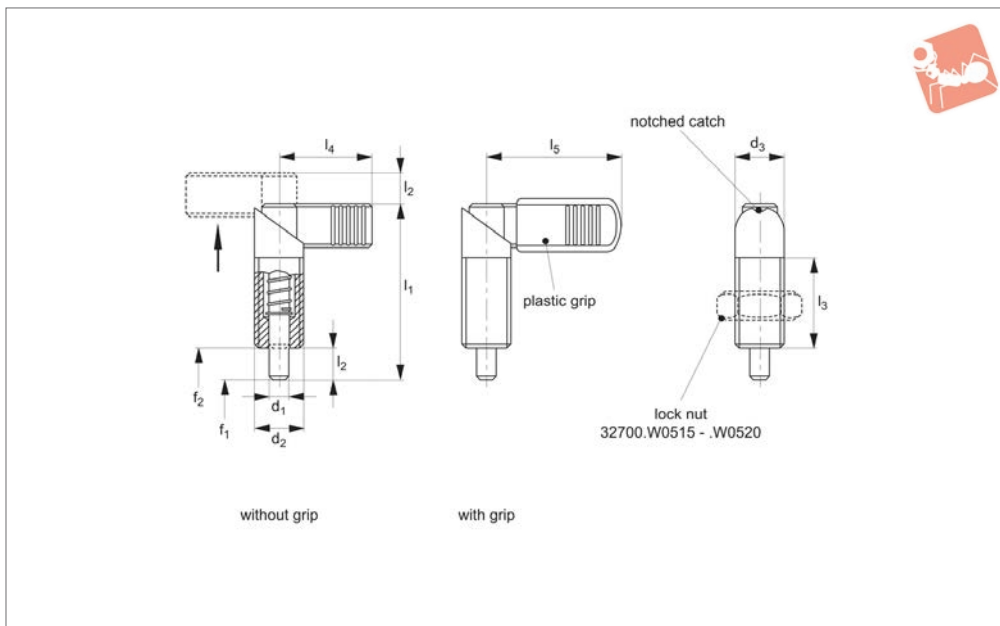




# Index Plungers - Lever Grip

locking - stainless

# Index Plunger & Pins



## 32501

INDEX PLUNGER & PINS

### Material

Body: stainless steel 1.4305 (AISI 303).  
Pin: stainless steel 1.4305 (AISI 303).  
Plastic Grip: thermoplastic, black, dull.

### Technical Notes

Turn lever 180° to retract pin. To enable

pin to be held in retracted position, secure lever in notched catch on plunger body.

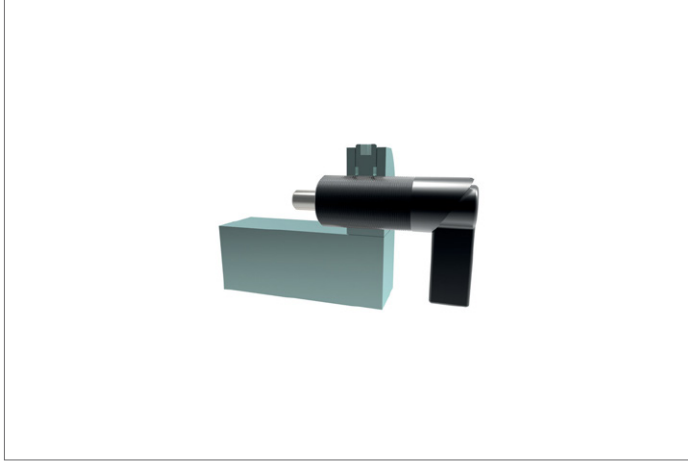
Plastic grip type, improves handling.  
Temperature resistance of type with plastic grip is -30°C to +80°C

**Lock nuts sold separately.** See products 65690 and 65692

### Tips

Spring loads \* = statistical average.

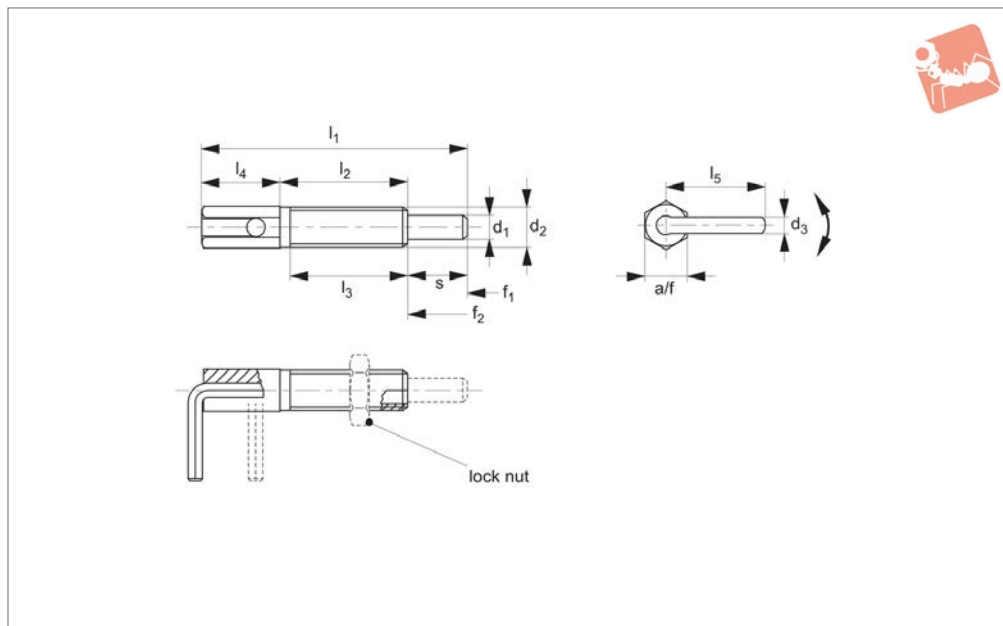
| Order No.   | Type         | $d_1$<br>-0.02 -0.04 | $d_2$   | $d_3$ | $l_1$<br>≈ | $l_2$<br>min. | $l_3$<br>+1.5 | $l_4$ | $l_5$ | Spring load $F_1$<br>N<br>≈ | Spring load $F_2$<br>N | Weight<br>g |
|-------------|--------------|----------------------|---------|-------|------------|---------------|---------------|-------|-------|-----------------------------|------------------------|-------------|
| 32501.W0308 | Without Grip | 4                    | M10x1,0 | 10    | 37.5       | 6             | 19            | 21    | -     | 8.5                         | 25.0                   | 17          |
| 32501.W0310 | Without Grip | 5                    | M10x1,0 | 10    | 37.5       | 6             | 19            | 21    | -     | 8.5                         | 25.0                   | 18          |
| 32501.W0312 | Without Grip | 6                    | M10x1,0 | 10    | 37.5       | 6             | 19            | 21    | -     | 8.5                         | 25.0                   | 18          |
| 32501.W0323 | Without Grip | 5                    | M12x1,5 | 12    | 47         | 8             | 26            | 26    | -     | 8.5                         | 19.5                   | 29.0        |
| 32501.W0324 | Without Grip | 6                    | M12x1,5 | 12    | 47         | 8             | 26            | 26    | -     | 8.5                         | 19.5                   | 29.0        |
| 32501.W0326 | Without Grip | 6                    | M16x1,5 | 16    | 56         | 10            | 30            | 32    | -     | 11.5                        | 30.5                   | 59.0        |
| 32501.W0325 | Without Grip | 8                    | M12x1,5 | 12    | 47         | 8             | 26            | 26    | -     | 8.5                         | 19.5                   | 30.0        |
| 32501.W0327 | Without Grip | 8                    | M16x1,5 | 16    | 56         | 10            | 30            | 32    | -     | 11.5                        | 30.5                   | 61.0        |
| 32501.W0328 | Without Grip | 8                    | M20x1,5 | 20    | 69         | 12            | 36            | 37    | -     | 21.0                        | 57.5                   | 121.0       |
| 32501.W0329 | Without Grip | 10                   | M16x1,5 | 16    | 56         | 10            | 30            | 32    | -     | 11.5                        | 30.5                   | 64.0        |
| 32501.W0330 | Without Grip | 10                   | M20x1,5 | 20    | 69         | 12            | 36            | 37    | -     | 21.0                        | 57.5                   | 123.0       |
| 32501.W0332 | Without Grip | 12                   | M20x1,5 | 20    | 69         | 12            | 36            | 37    | -     | 21.0                        | 57.5                   | 127.0       |
| 32501.W0363 | With Grip    | 5                    | M12x1,5 | 12    | 47         | 8             | 26            | -     | 32    | 8.5                         | 19.5                   | 30.0        |
| 32501.W0364 | With Grip    | 6                    | M12x1,5 | 12    | 47         | 8             | 26            | -     | 32    | 8.5                         | 19.5                   | 30.0        |
| 32501.W0366 | With Grip    | 6                    | M16x1,5 | 16    | 56         | 10            | 30            | -     | 42    | 11.5                        | 30.5                   | 61.0        |
| 32501.W0365 | With Grip    | 8                    | M12x1,5 | 12    | 47         | 8             | 26            | -     | 32    | 8.5                         | 19.5                   | 32.0        |
| 32501.W0367 | With Grip    | 8                    | M16x1,5 | 16    | 56         | 10            | 30            | -     | 42    | 11.5                        | 30.5                   | 63.0        |
| 32501.W0368 | With Grip    | 8                    | M20x1,5 | 20    | 69         | 12            | 36            | -     | 52    | 21.0                        | 57.5                   | 124.0       |
| 32501.W0369 | With Grip    | 10                   | M16x1,5 | 16    | 56         | 10            | 30            | -     | 42    | 11.5                        | 30.5                   | 66.0        |
| 32501.W0370 | With Grip    | 10                   | M20x1,5 | 20    | 69         | 12            | 36            | -     | 52    | 21.0                        | 57.5                   | 128.0       |
| 32501.W0372 | With Grip    | 12                   | M20x1,5 | 20    | 69         | 12            | 36            | -     | 52    | 21.0                        | 57.5                   | 131.0       |





# Index Plungers - Lever Grip locking - coarse thread

# Index Plunger & Pins



## 32555

INDEX PLUNGER & PINS

### Material

Body: free cutting steel, zinc plated.

Pin: steel, galvanised.

Lever: steel, galvanised.

### Technical Notes

Pull back and turn lever 180° to retract pin.

To enable pin to be held in retracted position, secure lever in notched catch on plunger body.

For applications where high precision is not required.

**Coarse thread.**

Temperature resistance up to 250°C

**Lock nuts sold separately.** See products 65690 and 65692

### Tips

Spring loads\* = statistical average.

| Order No.          | Type    | d <sub>1</sub> | d <sub>2</sub> | d <sub>3</sub> | l <sub>1</sub> | l <sub>2</sub> | l <sub>3</sub> | l <sub>4</sub> | l <sub>5</sub> | s    | A/F | Spring load<br>F <sub>1</sub><br>N<br>≈ | Spring load<br>F <sub>2</sub><br>N<br>≈ | Tightening<br>torque<br>Nm<br>max. | Weight<br>g |
|--------------------|---------|----------------|----------------|----------------|----------------|----------------|----------------|----------------|----------------|------|-----|---|---|------------------------------------|-------------|
| <b>32555.W0105</b> | Locking | 4              | M 6x1,00       | 2,3            | 41,5           | 20,0           | 17,0           | 12,0           | 15,5           | 9,5  | 6   | 3,0                                     | 10,0                                    | 1,6                                | 6           |
| <b>32555.W0110</b> | Locking | 5              | M 8x1,25       | 3,0            | 54,0           | 27,0           | 24,0           | 15,0           | 19,2           | 12,0 | 8   | 3,5                                     | 13,5                                    | 4,5                                | 14          |
| <b>32555.W0115</b> | Locking | 6              | M10x1,50       | 3,5            | 65,0           | 33,5           | 30,0           | 17,5           | 22,9           | 14,0 | 10  | 4,0                                     | 16,0                                    | 10,0                               | 26          |
| <b>32555.W0120</b> | Locking | 8              | M12x1,75       | 4,7            | 73,0           | 31,8           | 28,0           | 22,2           | 31,2           | 19,0 | 12  | 4,0                                     | 22,0                                    | 13,0                               | 55          |
| <b>32555.W0125</b> | Locking | 10             | M16x2,00       | 4,7            | 102,5          | 50,5           | 44,5           | 27,0           | 32,7           | 25,0 | 16  | 4,0                                     | 23,0                                    | 42,0                               | 103         |



## A Wide Selection of Solutions

### Applications

- Locating and positioning.
- Indexing.
- Securing.
- Positive locking.
- Rapid adjustment of all kinds of tables, platforms and fixtures.
- Machine and fixture design.
- OEM products.
- Sports equipment.
- Medical aides (wheelchairs etc.).
- Aerospace.
- Machine cabinets.

### Materials



Steel with plastic grip



Stainless with plastic grip



Stainless body and grip

### Locking or Non Locking



Locking (park)



Non locking (spring back)



Push pull

### Handling and Actuation Methods



Standard grip



Lever grip



T-handle



Pull ring



Threaded for bespoke handle

### Mounting Options



Fine threaded (standard)



Coarse thread



Flange mount



Thin wall mount



Weldable

### Additional Technical Notes

- Unless otherwise stated, grips on index plungers are not removable.
- Many of the pins on index plungers are toleranced to either the pin or the hole. Please refer to the specific product table.
- Index plungers are not recommended for shear load applications.

|   | Pin Tol.       | Hole Tol.      |
|---|----------------|----------------|
| ① | $h_9$          | +0,03<br>+0,08 |
| ② | -0,02<br>-0,04 | $H_7$          |

### Spring Loads

- s** Stroke, or movement of plunger's pin.
- f<sub>1</sub>** The force required in Newtons (N) to overcome the static strength of the spring and achieve initial movement of the plunger's pin.
- f<sub>2</sub>** The force required in Newtons (N) to fully compress the spring until the pin is fully depressed against the plunger's body.

