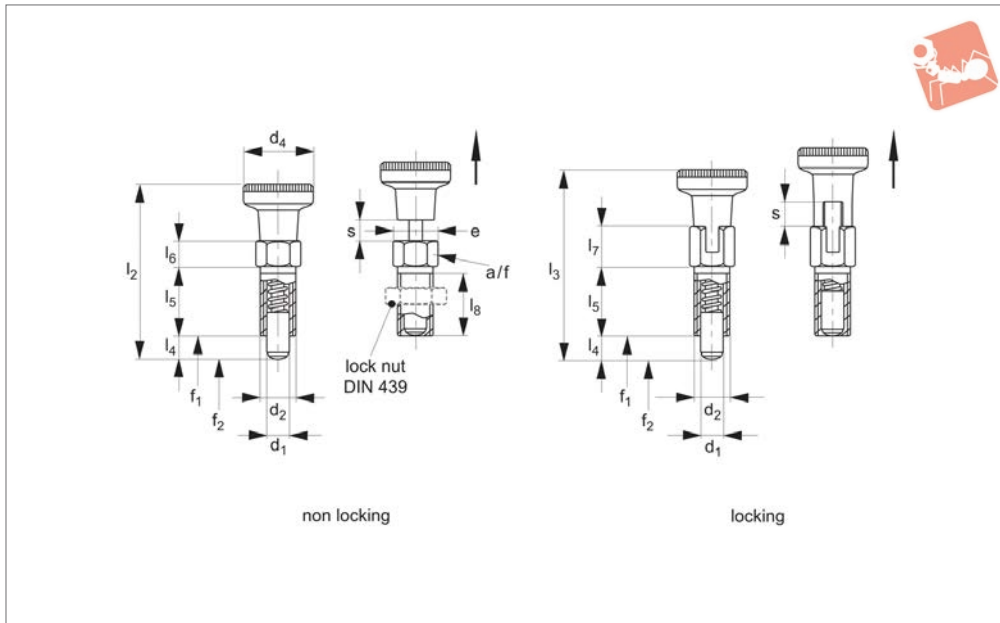




Index Plungers - Pull Grip

steel - coarse thread

Index Plunger & Pins



32570

INDEX PLUNGER & PINS

Material

Body: steel, galvanized.
Pin: stainless steel 1.4305 (AISI 303).
Grip: thermoplastic PA 6, black.

back grip, turn 90° to engage ,locking' on a notched catch.
„Non Locking” type- pin simply springs back when grip released.

Temperature resistance -30° C to +80° C.
Lock nuts sold separately. See products 65690 and 65692

Technical Notes

„Locking” type- enable pin to be held in retracted/non-projecting position; pull

For applications where high precision is not required.
Coarse thread.

Tips

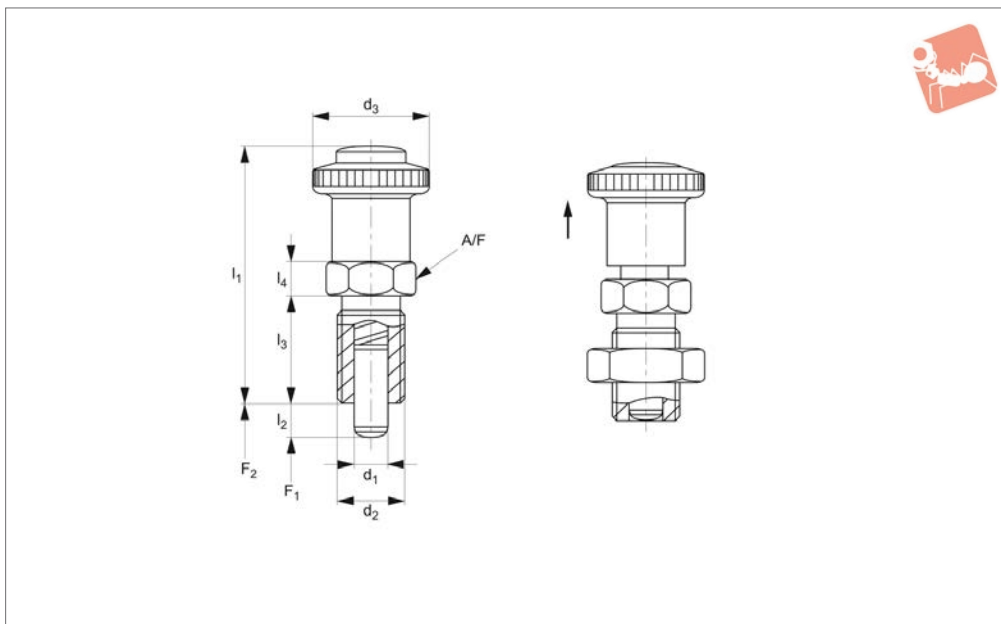
Grip non-removable.
Spring loads * = statistical average.

Order No.	Type	Material	d ₁	d ₂	d ₄	l ₂	l ₃	Weight g
32570.W0743	Non Lock	-	3	M 6x1,00	12	30.0	-	3.6
32570.W0744	Non Lock	Steel	4	M 6x1,00	12	30.5	-	4.0
32570.W0745	Non Lock	Steel	5	M 8x1,25	16	40.0	-	9.2
32570.W0746	Non Lock	Steel	6	M10x1,50	18	49.0	-	18.0
32570.W0748	Non Lock	Steel	8	M12x1,75	21	59.0	-	32.0
32570.W0763	Lock	-	3	M 6x1,00	12	-	32.5	3.8
32570.W0764	Lock	Steel	4	M 6x1,00	12	-	33.0	4.2
32570.W0765	Lock	Steel	5	M 8x1,25	16	-	43.5	9.8
32570.W0766	Lock	Steel	6	M10x1,50	18	-	52.0	18.0
32570.W0768	Lock	Steel	8	M12x1,75	21	-	63.5	32.0

Order No.	l ₄ =s	l ₅	l ₆	l ₇	l ₈	e	A/F	Spring load F ₁ N	Spring load F ₂ N	Tightening torque Nm
32570.W0743	3.5	12	4.5	-	10.0	6.9	6	3	12	2
32570.W0744	4	12	4.5	-	10.0	6.9	6	3	12	2
32570.W0745	5	16	6.0	-	13.5	9.2	8	5	24	7
32570.W0746	6	20	7.5	-	17.0	11.5	10	5	21	15
32570.W0748	8	24	9.0	-	20.5	13.8	12	6	22	20
32570.W0763	3.5	12	-	7.0	10.0	6.9	6	3	12	2
32570.W0764	4	12	-	7.0	10.0	6.9	6	3	12	2
32570.W0765	5	16	-	9.5	13.5	9.2	8	5	24	7
32570.W0766	6	20	-	10.5	17.0	11.5	10	5	21	15
32570.W0768	8	24	-	13.5	20.5	13.8	12	6	22	20



32494



Material

Body: steel, blackened or stainless steel 1.4305.

Knob: thermoplastic, black-grey, matt.

Button: thermoplastic POM, red.

Locking pin: steel, hardened or stainless steel, nickel-plated.

Technical Notes

Press red button and hold whilst pulling

knob to release pin.

Temperature range -30 to +80°C.

Tips

Knob is non removable.

Lock nuts available separately.

Used with:

32510 Mounting blocks.

32700 Lock nut .

32750 Distance collars.

32752 Locating bushes.

32753 Locating bushes.

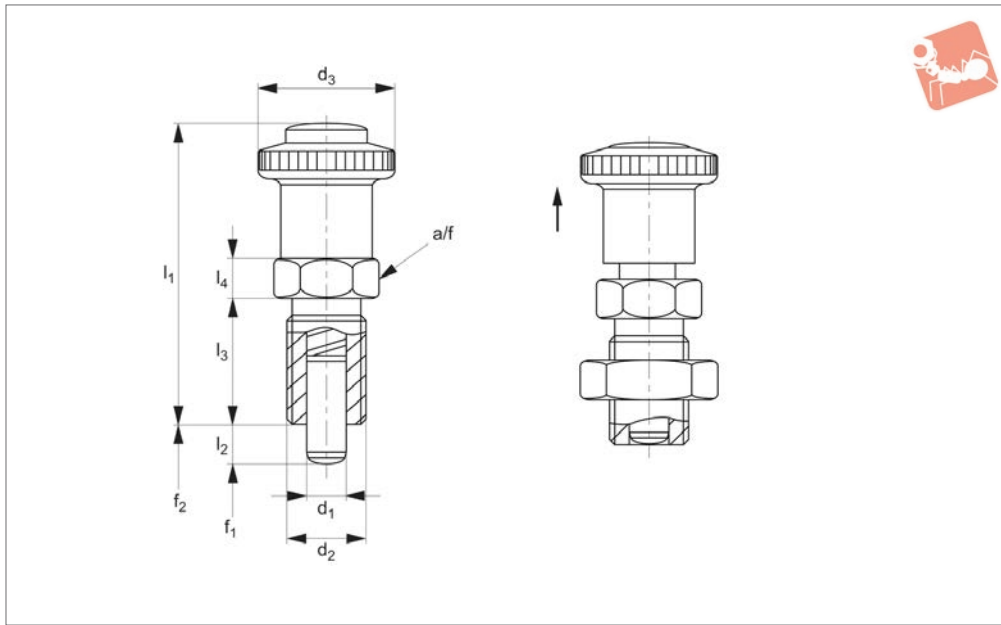
Order No.	Type	d_1 -0.02 -0.04	d_2	d_3	l_1 ≈	l_2 min.	l_3	l_4	A/F	Spring load F_1 N ≈	Spring load F_2 N ≈	Weight g
32494.W0005	Steel	6	M12x1,5	28	56	6	22	6	19	6.5	19	44
32494.W0010	Steel	6	M12x1,5	28	56	9	22	6	19	6.0	25	45
32494.W0015	Steel	8	M16x1,5	28	62	8	26	8	19	8.5	26	70
32494.W0020	Steel	8	M16x1,5	28	62	12	26	8	19	8.5	28	72
32494.W0025	Steel	10	M16x1,5	28	62	12	26	8	19	9.5	38	74
32494.W0105	Stainless	6	M12x1,5	28	56	6	22	6	19	6.5	19	44
32494.W0110	Stainless	6	M12x1,5	28	56	9	22	6	19	6.0	25	45
32494.W0115	Stainless	8	M16x1,5	28	62	8	26	8	19	8.5	26	70
32494.W0120	Stainless	8	M16x1,5	28	62	12	26	8	19	8.5	28	72
32494.W0125	Stainless	10	M16x1,5	28	62	12	26	8	19	9.5	38	74



Index Plungers -Pull Grip

Rapid locking head

Index Plunger & Pins



32495

INDEX PLUNGER & PINS

Material

Body:
 Steel: Steel, blackened.
 Stainless: Stainless steel 1.4305.
 Knob: thermoplastic, black-grey, matt.
 Button: thermoplastic POM, red.
 Locking pin. Steel: hardened.
 Stainless: stainless steel 1.4305, nickel-plated.

Technical Notes

Pull knob up, red button flush = pin locked.
 Press red button, red button out = pin unlocked.
 Temperature range -30 to +80 °C.

Tips

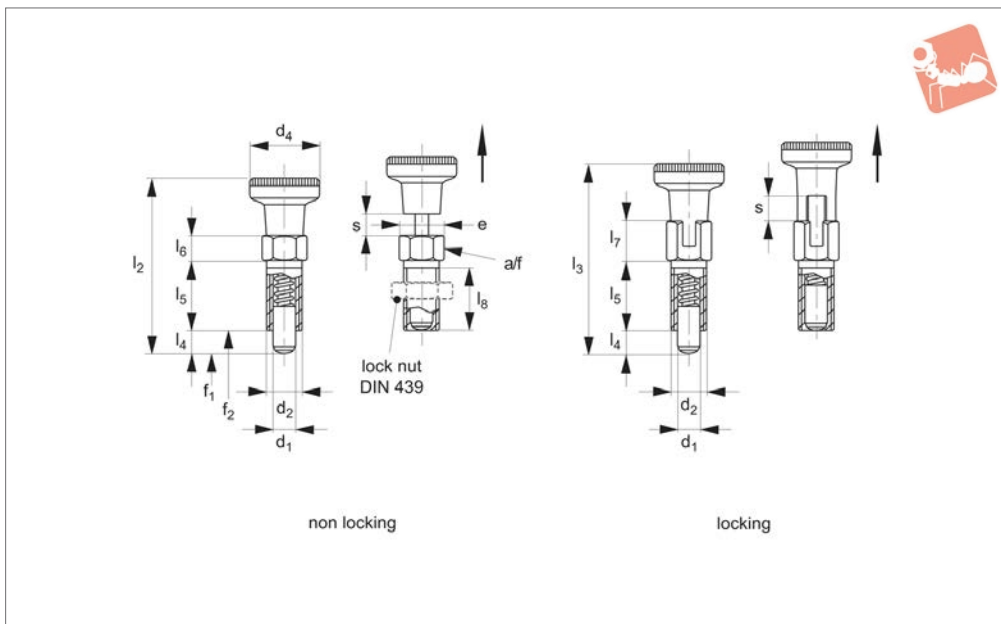
Knob is non removable.
 Lock nuts available separately.

Used with:
 32510 Mounting blocks.
 32700 Lock nut .
 32750 Distance collars.
 32752 Locating bushes.
 32753 Locating bushes.

Order No.	Type	d_1 -0.02 -0.04	d_2	d_3	l_1 ≈	l_2 min.	l_3	l_4	A/F	Spring load F_1 N ≈	Spring load F_2 N ≈	Weight g
32495.W0205	Steel	6	M12x1,5	30	53.5	6	22	6	19	6.5	19	47
32495.W0210	Steel	6	M12x1,5	30	53.5	9	22	6	19	6.0	25	48
32495.W0215	Steel	8	M16x1,5	30	59.5	8	26	8	19	8.5	26	74
32495.W0220	Steel	8	M16x1,5	30	59.5	12	26	8	19	8.5	28	77
32495.W0225	Steel	10	M16x1,5	30	59.5	12	26	8	19	9.5	38	78
32495.W0305	Stainless	6	M12x1,5	30	53.5	6	22	6	19	6.5	19	47
32495.W0310	Stainless	6	M12x1,5	30	53.5	9	22	6	19	6.0	25	48
32495.W0315	Stainless	8	M16x1,5	30	59.5	8	26	8	19	8.5	26	74
32495.W0320	Stainless	8	M16x1,5	30	59.5	12	26	8	19	8.5	28	77
32495.W0325	Stainless	10	M16x1,5	30	59.5	12	26	8	19	9.5	38	78



32571



Material

Body: stainless steel 1.4305 (AISI 303).

Pin: stainless steel 1.4305 (AISI 303).

Grip: thermoplastic PA 6, black.

Technical Notes

„Locking“ type- enable pin to be held in

retracted/non-projecting position; pull back grip, turn 90° to engage „locking“ on a notched catch.

„Non Locking“ type- pin simply springs back when grip released.

For applications where high precision is

not required.

Coarse thread.

Temperature resistance -30° C to +80° C.

Tips

Grip non-removable.

Spring loads * = statistical average.

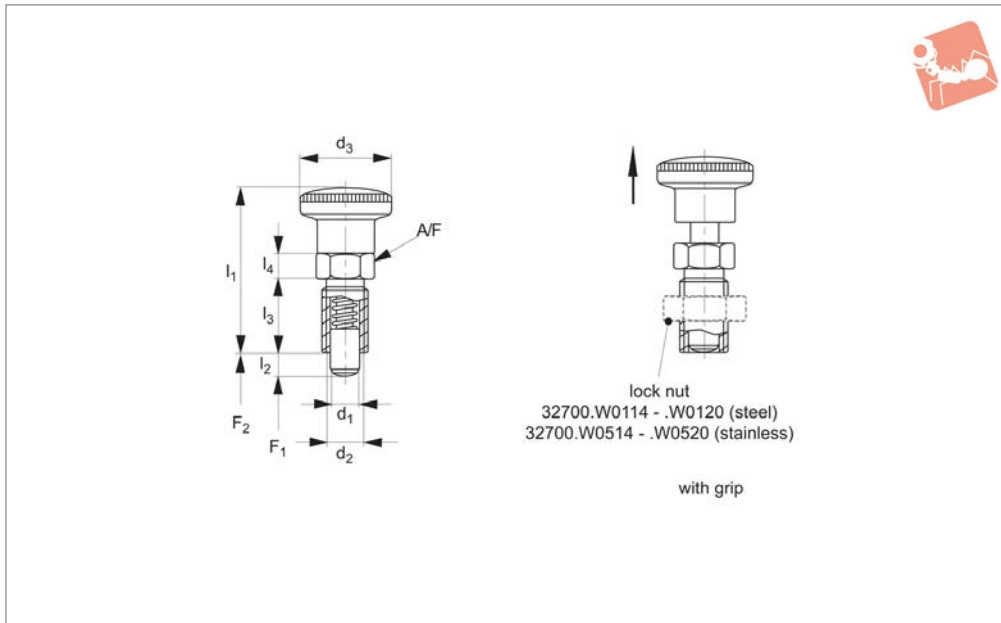
Order No.	Type	Material	d ₁ tol. h9	d ₂	d ₄	l ₂	l ₃	l ₄ =s min.	l ₅	l ₆	l ₇	l ₈	e	A/F	Spring load F ₁ N ≈	Spring load F ₂ N ≈	Tightening torque Nm max.	Weight g
32571.W0783	Non Lock	Stainless	3	M 6x1,00	12	30,0	3,5	12	4,5	10,0	6,9	6	3	12	2	3,2		
32571.W0784	Non Lock	Stainless	4	M 6x1,00	12	30,5	4,0	12	4,5	10,0	6,9	6	3	12	2	4,0		
32571.W0785	Non Lock	Stainless	5	M 8x1,25	16	40,0	5,0	16	6,0	13,5	9,2	8	5	24	7	9,2		
32571.W0786	Non Lock	Stainless	6	M10x1,50	18	49,0	6,0	20	7,5	17,0	11,5	10	5	21	15	18,0		
32571.W0788	Non Lock	Stainless	8	M12x1,75	21	59,0	8,0	24	9,0	20,5	13,8	12	6	22	20	32,0		
32571.W0793	Lock	Stainless	3	M 6x1,00	12	32,5	3,5	12	7,0	10,0	6,9	6	3	12	2	3,8		
32571.W0794	Lock	Stainless	4	M 6x1,00	12	33,0	4,0	12	7,0	10,0	6,9	6	3	12	2	4,2		
32571.W0795	Lock	Stainless	5	M 8x1,25	16	43,5	5,0	16	9,5	13,5	9,2	8	5	24	7	9,8		
32571.W0796	Lock	Stainless	6	M10x1,50	18	52,0	6,0	20	10,5	17,0	11,5	10	5	21	15	18,0		
32571.W0798	Lock	Stainless	8	M12x1,75	21	63,5	8,0	24	13,5	20,5	13,8	12	6	22	20	32,0		



Index Plungers - Pull Grip

compact - non-locking

Index Plunger & Pins



32680

INDEX PLUNGER & PINS

Material

Free cutting steel type-

Body: free cutting steel, blackened.

Pin: steel, hardened.

Grip: thermoplastic PA6, black.

Stainless steel type -

Body: stainless steel 1.4305 (AISI 303).

Pin: stainless steel 1.4305 (AISI 303), nickel plated.

Grip: thermoplastic PA6, black.

Technical Notes

„Non Locking“ type- pin simply springs back when grip released.

Thread recess on body allows full engagement of thread length. Hexagon collar improves leverage for secure installation. Benefits from a more compact design and hence shorter overall length.

Temperature resistance from -30° to +80°C.

Distance collars no. 32750 can be used to adapt screw length.

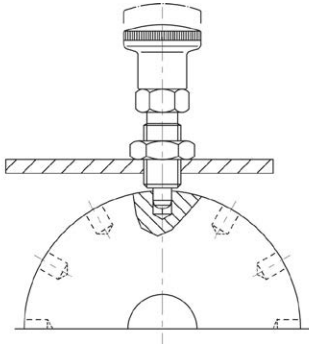
Lock nuts sold separately. See products 65690 and 65692

Tips

Grip non-removable.

Spring loads * = statistical average.

Order No.	Type	Material	d ₁ -0.02 -0.04	d ₂	d ₃	l ₁	l ₂ min.	l ₃	l ₄	A/F	Spring load F ₁ N ≈	Spring load F ₂ N ≈	Weight g
32680.W0103	No Lock	Steel	4	M 8x1,0	16	35.0	4	16	5	10	4.5	12.0	10
32680.W0104	No Lock	Steel	4	M 8x1,0	16	35.0	6	16	5	10	4.0	12.5	10
32680.W0106	No Lock	Steel	5	M10x1,0	19	40.0	5	18	6	12	5.0	15.5	18
32680.W0107	No Lock	Steel	5	M10x1,0	19	40.0	8	18	6	12	5.0	18.0	18
32680.W0109	No Lock	Steel	6	M12x1,5	23	48.0	6	22	6	14	6.5	19.0	29
32680.W0110	No Lock	Steel	6	M12x1,5	23	48.0	9	22	6	14	6.0	25.0	29
32680.W0112	No Lock	Steel	8	M16x1,5	28	58.0	8	26	8	17	8.5	26.0	62
32680.W0113	No Lock	Steel	8	M16x1,5	28	58.0	12	26	8	17	8.5	28.0	62
32680.W0115	No Lock	Steel	10	M16x1,5	28	58.0	12	26	8	17	9.5	38.0	63
32680.W0116	No Lock	Steel	12	M20x1,5	33	67.0	15	33	10	22	11.5	40.0	117
32680.W0117	No Lock	Steel	16	M24x 2	33	78.5	20	38	12	27	13.0	54.0	204
32680.W0203	No Lock	Stainless	4	M 8x1,0	16	35.0	4	16	5	10	4.5	12.0	10
32680.W0204	No Lock	Stainless	4	M 8x1,0	16	35.0	6	16	5	10	4.0	12.5	10
32680.W0206	No Lock	Stainless	5	M10x1,0	19	40.0	5	18	6	12	5.0	15.5	18
32680.W0207	No Lock	Stainless	5	M10x1,0	19	40.0	8	18	6	12	5.0	18.0	18
32680.W0209	No Lock	Stainless	6	M12x1,5	23	48.0	6	22	6	14	6.5	19.0	29
32680.W0210	No Lock	Stainless	6	M12x1,5	23	48.0	9	22	6	14	6.0	25.0	29
32680.W0212	No Lock	Stainless	8	M16x1,5	28	58.0	8	26	8	17	8.5	26.0	62
32680.W0213	No Lock	Stainless	8	M16x1,5	28	58.0	12	26	8	17	8.5	28.0	62
32680.W0215	No Lock	Stainless	10	M16x1,5	28	58.0	12	26	8	17	9.5	38.0	63
32680.W0216	No Lock	Stainless	12	M20x1,5	33	67.0	15	33	10	22	11.5	40.0	117
32680.W0217	No Lock	Stainless	16	M24x 2	33	78.5	20	38	12	27	-	-	204

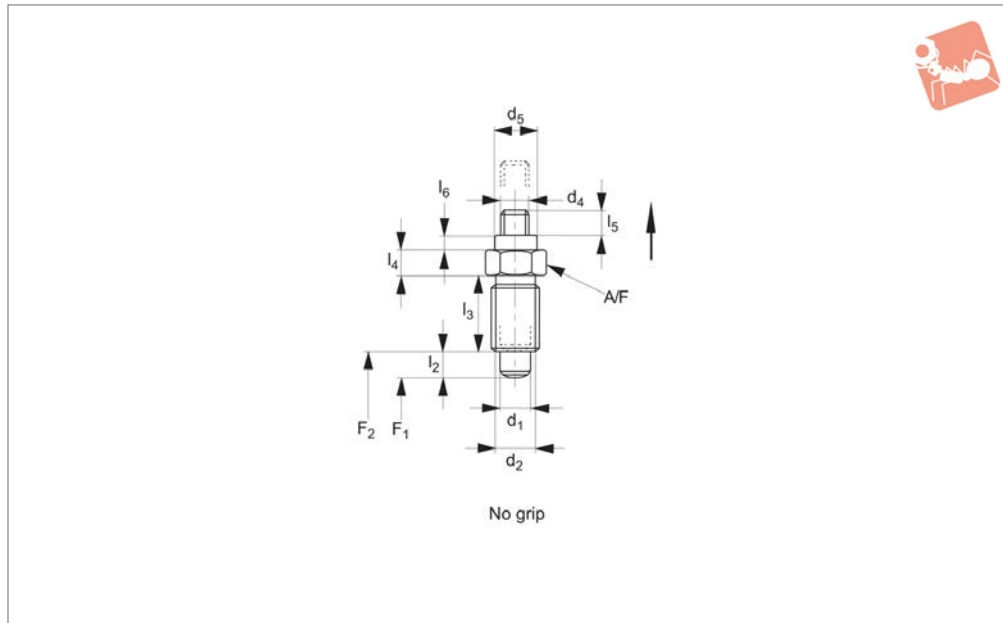




Index Plungers - No Grip

compact - non-locking

Index Plunger & Pins



32681

INDEX PLUNGER & PINS

Material

Free cutting steel type-

Body: free cutting steel, blackened.

Pin: steel, hardened.

Stainless steel type -

Body: stainless steel 1.4305 (AISI 303).

Pin: stainless steel 1.4305 (AISI 303), nickel plated.

Technical Notes

„Non Locking“ type- pin simply springs

back when grip released.

Thread recess on body allows full engagement of thread length. Hexagon collar improves leverage for secure installation.

Benefits from a more compact design and hence shorter overall length.

Temperature resistance up to 250°C

Distance collars no. 32750 can be used to adapt screw length.

Lock nuts sold separately See products 65690 & 65692

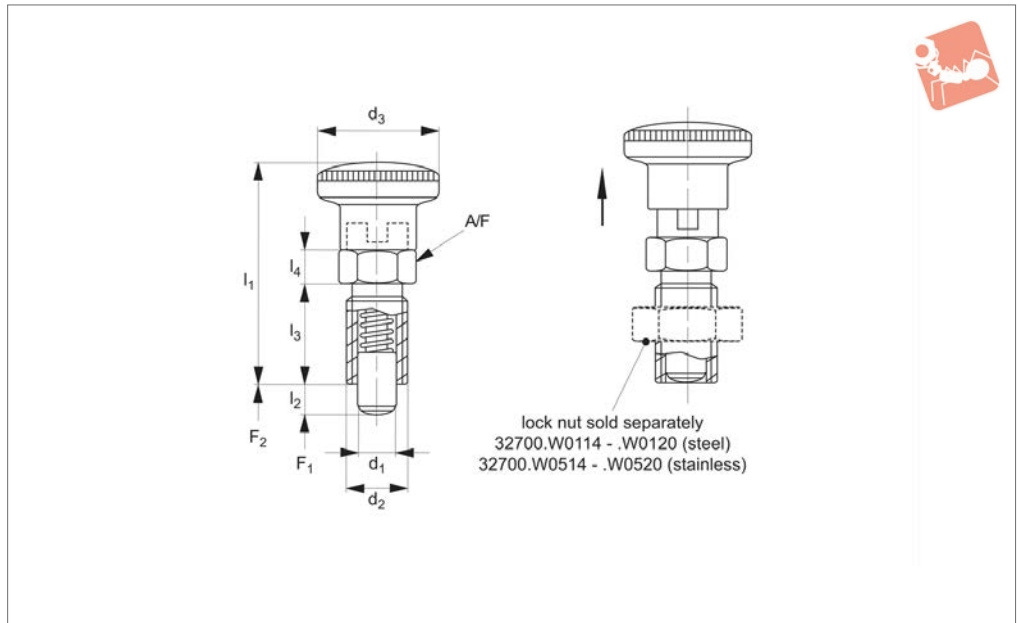
Tips

Spring loads * = statistical average. Threaded head of d_4 enables use of larger handle or grip better suited to your application. See palm grip no. 70000, or similar.

Order No.	Type	Material	d_1	d_2	d_4	d_5	l_2	l_3	l_4	l_5	l_6	A/F	Spring load F_1 N	Spring load F_2 N	Weight g
32681.W0143	No Grip	Steel	4	M 8x1,0	M 3	7	4	16	5	4.5	2.5	10	4.5	12.0	9
32681.W0144	No Grip	Steel	4	M 8x1,0	M 3	7	6	16	5	4.5	2.5	10	4.0	12.5	9
32681.W0146	No Grip	Steel	5	M10x1,0	M 4	8	5	18	6	5.5	3.0	12	5.0	15.0	16
32681.W0147	No Grip	Steel	5	M10x1,0	M 4	8	8	18	6	5.5	3.0	12	5.0	18.0	16
32681.W0149	No Grip	Steel	6	M12x1,5	M 5	9	6	22	6	7.0	3.5	14	6.5	19.0	25
32681.W0150	No Grip	Steel	6	M12x1,5	M 5	9	9	22	6	7.0	3.5	14	6.0	25.0	25
32681.W0152	No Grip	Steel	8	M16x1,5	M 6	10	8	26	8	8.5	4.0	17	8.5	26.0	55
32681.W0153	No Grip	Steel	8	M16x1,5	M 6	10	12	26	8	8.5	4.0	17	8.5	28.0	55
32681.W0155	No Grip	Steel	10	M16x1,5	M 6	10	12	26	8	8.5	4.0	17	9.5	38.0	56
32681.W0156	No Grip	Steel	12	M20x1,5	M 6	12	15	33	10	8.5	4.0	22	11.5	40.0	111
32681.W0157	No Grip	Steel	16	M24 x 2	M 8	15	20	38	12	11.5	5.0	27	13.0	54.0	194
32681.W0243	No Grip	Stainless	4	M 8x1,0	M 3	7	4	16	5	4.5	2.5	10	4.5	12.0	9
32681.W0244	No Grip	Stainless	4	M 8x1,0	M 3	7	6	16	5	4.5	2.5	10	4.0	12.5	9
32681.W0246	No Grip	Stainless	5	M10x1,0	M 4	8	5	18	6	5.5	3.0	12	5.0	15.0	16
32681.W0247	No Grip	Stainless	5	M10x1,0	M 4	8	8	18	6	5.5	3.0	12	5.0	18.0	16
32681.W0249	No Grip	Stainless	6	M12x1,5	M 5	9	6	22	6	7.0	3.5	14	6.5	19.0	25
32681.W0250	No Grip	Stainless	6	M12x1,5	M 5	9	9	22	6	7.0	3.5	14	6.0	25.0	25
32681.W0252	No Grip	Stainless	8	M16x1,5	M 6	10	8	26	8	8.5	4.0	17	8.5	26.0	55
32681.W0253	No Grip	Stainless	8	M16x1,5	M 6	10	12	26	8	8.5	4.0	17	8.5	28.0	55
32681.W0255	No Grip	Stainless	10	M16x1,5	M 6	10	12	26	8	8.5	4.0	17	9.5	38.0	56
32681.W0256	No Grip	Stainless	12	M20x1,5	M 6	12	15	33	10	8.5	4.0	22	11.5	40.0	111
32681.W0257	No Grip	Stainless	16	M24 x 2	M 8	15	20	38	12	11.5	5.0	27	13.0	54.0	194



32690



Material

Free cutting steel type-

Body: free cutting steel, blackened.

Pin: steel, hardened.

Grip: thermoplastic PA6, black.

Stainless steel type -

Body: stainless steel 1.4305 (AISI 303).

Pin: stainless steel 1.4305 (AISI 303),

nickel plated.

Grip: thermoplastic PA6, black.

Technical Notes

„Locking“ type- enable pin to be held in

retracted/non-projecting position; pull back grip, turn 90° to engage ‚locking‘ on a notched catch.

Thread recess on body allows full engagement of thread length. Hexagon collar improves leverage for secure installation. Benefits from a more compact design and hence shorter overall length.

Temperature resistance from -30° to +80°C.

adapt screw length.

Lock nuts sold separately See products 65690 & 65692

Tips

Grip non-removable.

Spring loads * = statistical average.

Distance collars no. 32750 can be used to

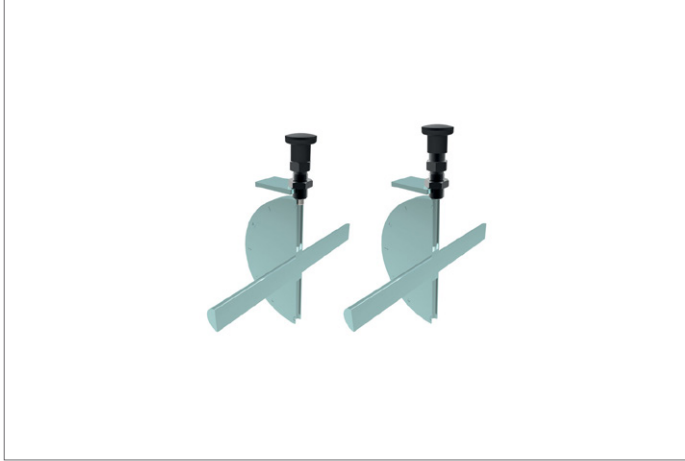
Order No.	Type	Material	d_1 -0.02 -0.04	d_2	d_3	l_1	l_2 min.	l_3	l_4	A/F	Spring load F_1 N ~	Spring load F_2 N ~	Weight g
32690.W0123	Locking	Steel	4	M 8x1,0	16	35	4	16	5	10	4.5	12.0	12.0
32690.W0124	Locking	Steel	4	M 8x1,0	16	35	6	16	5	10	4.0	12.5	12.0
32690.W0126	Locking	Steel	5	M10x1,0	19	40	5	18	6	12	5.0	15.0	20.0
32690.W0127	Locking	Steel	5	M10x1,0	19	40	8	18	6	12	5.0	18.0	20.0
32690.W0129	Locking	Steel	6	M12x1,5	23	48	6	22	6	14	6.5	19.0	31.0
32690.W0130	Locking	Steel	6	M12x1,5	23	48	9	22	6	14	6.0	25.0	33.0
32690.W0132	Locking	Steel	8	M16x1,5	28	58	8	26	8	17	8.5	26.0	65.0
32690.W0133	Locking	Steel	8	M16x1,5	28	58	12	26	8	17	8.5	28.0	68.0
32690.W0135	Locking	Steel	10	M16x1,5	28	58	12	26	8	17	9.5	38.0	69.0
32690.W0136	Locking	Steel	12	M20x1,5	33	67	15	33	10	22	11.5	40.0	125.0
32690.W0137	Locking	Steel	16	M24 x 2	33	78.5	20	38	12	27	13.0	54.0	220
32690.W0223	Locking	Stainless	4	M 8x1,0	16	35	4	16	5	10	4.5	12.0	12.0
32690.W0224	Locking	Stainless	4	M 8x1,0	16	35	6	16	5	10	4.0	12.5	12.0
32690.W0226	Locking	Stainless	5	M10x1,0	19	40	5	18	6	12	5.0	15.0	20.0
32690.W0227	Locking	Stainless	5	M10x1,0	19	40	8	18	6	12	5.0	18.0	20.0
32690.W0229	Locking	Stainless	6	M12x1,5	23	48	6	22	6	14	6.5	19.0	31.0
32690.W0230	Locking	Stainless	6	M12x1,5	23	48	9	22	6	14	6.0	25.0	33.0
32690.W0232	Locking	Stainless	8	M16x1,5	28	58	8	26	8	17	8.5	26.0	65.0
32690.W0233	Locking	Stainless	8	M16x1,5	28	58	12	26	8	17	8.5	28.0	68.0
32690.W0235	Locking	Stainless	10	M16x1,5	28	58	12	26	8	17	9.5	38.0	69.0
32690.W0236	Locking	Stainless	12	M20x1,5	33	67	15	33	10	22	11.5	40.0	125.0
32690.W0237	Locking	Stainless	16	M24 x 2	33	78.5	20	38	12	27	13.0	54.0	220



Index Plungers - Compact

compact -locking

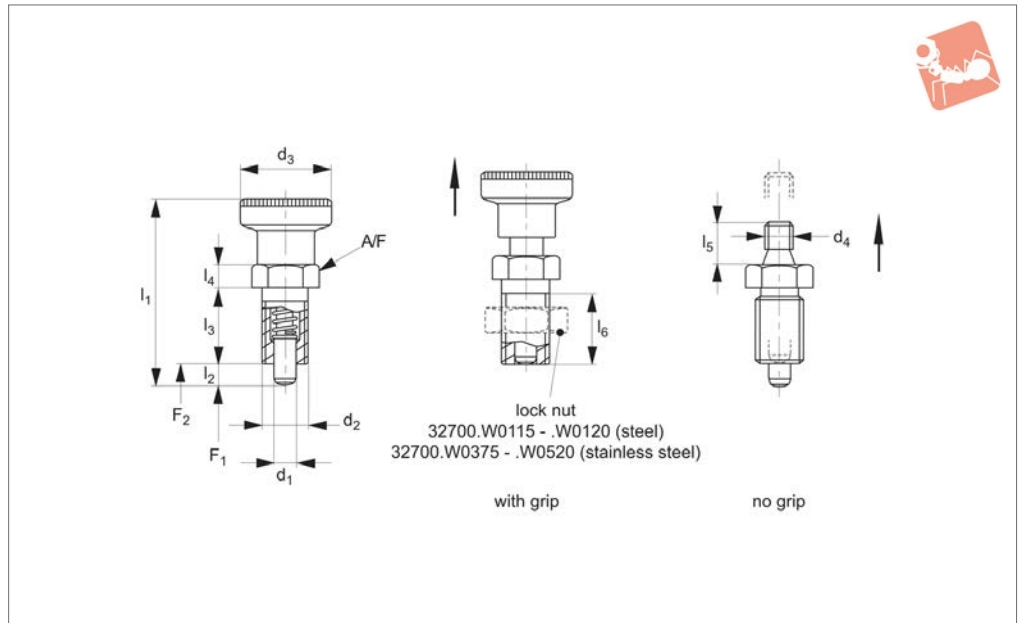
Index Plunger & Pins



INDEX PLUNGER & PINS



32700



Material

Free cutting steel type-

Body: free cutting steel, blackened.

Pin: steel, hardened.

Grip: thermoplastic PA6, black.

Stainless steel type -

Body: stainless steel 1.4305 (AISI 303).

Pin: stainless steel 1.4305 (AISI 303), nickel plated.

Grip: thermoplastic PA6, black.

Technical Notes

„Non Locking“ type- pin simply springs back when pull ring released.

Thread recess on body allows full engagement of thread length. Hexagon collar improves leverage for secure installation. Without grip temperature resistance up to 250°C.

Distance collars no. 32750 can be used to adapt screw length.

Lock nuts sold separately See Products 65690 and 65692

Tips

Grip non-removable.

Spring loads * = statistical average.

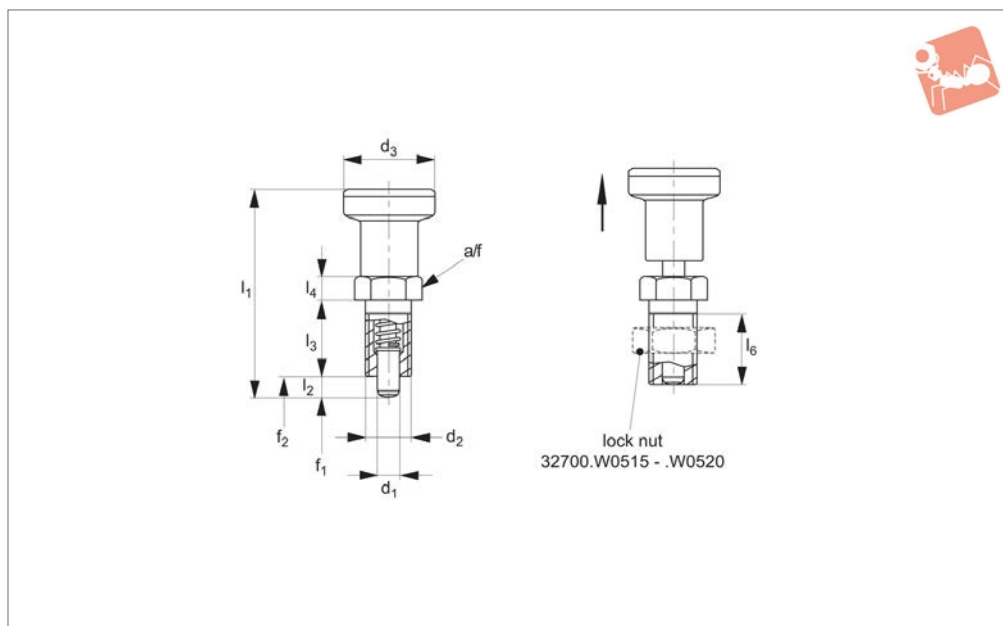
Order No.	Type	Material	d ₁ -0.02 -0.04	d ₂	d ₃	d ₄	l ₁ ≈	l ₂ min.	l ₃	l ₄	l ₅	l ₆ min.	A/F	Spring load		Weight g
														F ₁ N ≈	F ₂ N ≈	
32700.W0005	With Grip	Steel	5	M10x1,0	21		45,0	5	17	5		15	12	6,0	14	19,0
32700.W0006	With Grip	Steel	6	M12x1,5	25		54,5	6	20	6		17	14	5,5	13	31,0
32700.W0008	With Grip	Steel	8	M16x1,5	31		69,0	8	26	8		23	19	11,5	28	71,0
32700.W0010	With Grip	Steel	10	M20x1,5	31		80,0	10	33	10		30	22	23,0	54	115,0
32700.W0025	No Grip	Steel	5	M10x1,0		M 5		5	17	5	6	15	12	6,0	14	14,0
32700.W0026	No Grip	Steel	6	M12x1,5		M 6		6	20	6	10	17	14	5,5	13	23,0
32700.W0028	No Grip	Steel	8	M16x1,5		M 8		8	26	8	12	23	19	11,5	28	54,0
32700.W0030	No Grip	Steel	10	M20x1,5		M 8		10	33	10	12	30	22	23,0	54	79,0
32700.W0405	With Grip	Stainless	5	M10x1,0	21		45,0	5	17	5		15	12	6,0	14	19,0
32700.W0406	With Grip	Stainless	6	M12x1,5	25		54,5	6	20	6		17	14	5,5	13	31,0
32700.W0408	With Grip	Stainless	8	M16x1,5	31		69,0	8	26	8		23	19	11,5	28	71,0
32700.W0410	With Grip	Stainless	10	M20x1,5	31		80,0	10	33	10		30	22	23,0	54	115,0
32700.W0425	No Grip	Stainless	5	M10x1,0		M 5		5	17	5	6	15	12	6,0	14	14,0
32700.W0426	No Grip	Stainless	6	M12x1,5		M 6		6	20	6	10	17	14	5,5	13	23,0
32700.W0428	No Grip	Stainless	8	M16x1,5		M 8		8	26	8	12	23	19	11,5	28	54,0
32700.W0430	No Grip	Stainless	10	M20x1,5		M 8		10	33	10	12	30	22	23,0	54	79,0



Index Plungers - Pull Grip

non-locking - ALL stainless

Index Plunger & Pins



32702

INDEX PLUNGER & PINS

Material

All Stainless Steel Type-

Body: stainless steel 1.4305 (AISI 303).

Pin: stainless steel 1.4305 (AISI 303), nickel plated.

Grip: stainless steel 1.4305 (AISI 303).

Spring: stainless steel 1.4310 (AISI 301).

Technical Notes

„Non Locking“ type- pin simply springs

back when pull ring released.

Thread recess on body allows full engagement of thread length. Hexagon collar improves leverage for secure installation.

Temperature resistance from -30° to +80°C.

Distance collars no. 32750 can be used to adapt screw length.

Lock nuts sold separately. See Products 65690 and 65692

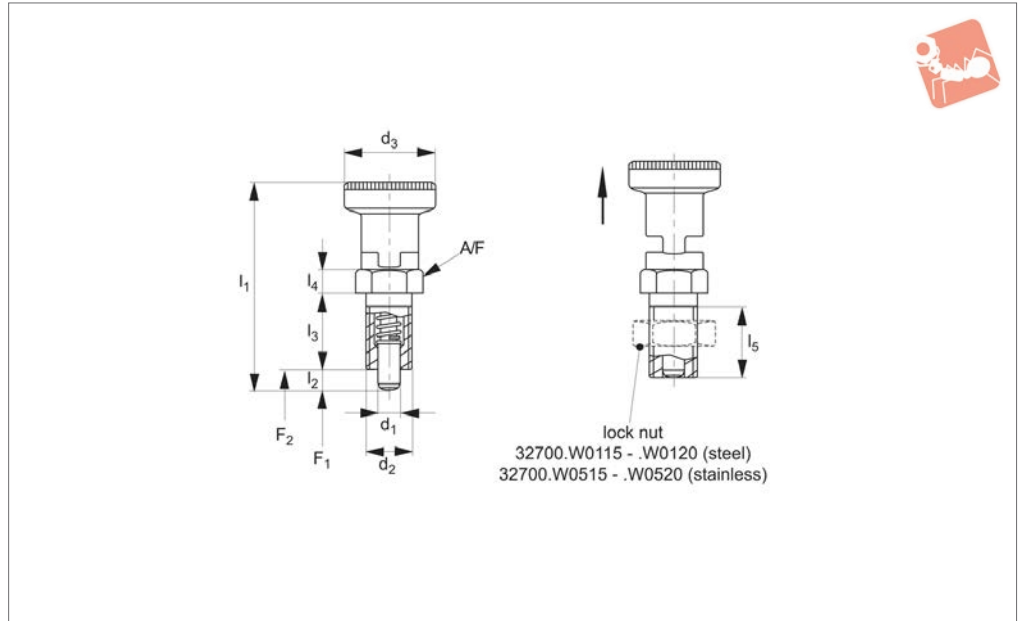
Tips

Complete stainless steel construction designed with specific demands of food processing, pharmaceutical and water treatment industries in mind. Grip non-removable. Spring Loads* = statistical average.

Order No.	Type	d_1 -0.02 -0.04	d_2	d_3	l_1 ≈	l_2 min.	l_3	l_4	l_6 min.	A/F	Spring load F_1 N ≈	Spring load F_2 N ≈	Weight g
32702.W0705	Non locking	5	M10x1,0	21	45.0	5	17	5	15	12	6.0	14	39.0
32702.W0706	Non locking	6	M12x1,5	25	54.5	6	20	6	17	14	5.5	13	65.0
32702.W0707	Non locking	8	M16x1,5	31	69.0	8	26	8	23	19	11.5	28	132.0
32702.W0710	Non locking	10	M20x1,5	31	80.0	10	33	10	30	22	23.0	54	175.0



32710



Material

Free cutting steel type-

Body: free cutting steel, blackened.

Pin: hardened steel.

Grip: thermoplastic PA6, black.

Stainless steel type -

Body: stainless steel 1.4305 (AISI 303).

Pin: stainless steel 1.4305 (AISI 303), nickel plated.

Grip: thermoplastic PA6, black.

Technical Notes

„**Locking**“ type- enable pin to be held in retracted/non-projecting position; pull back grip, turn 90° to engage ‚locking‘ on a notched catch.

Thread recess on body allows full engagement of thread length. Hexagon collar improves leverage for secure installation. Temperature resistance from -30° to +80°C.

Distance collars no. 32750 can be used to adapt screw length.

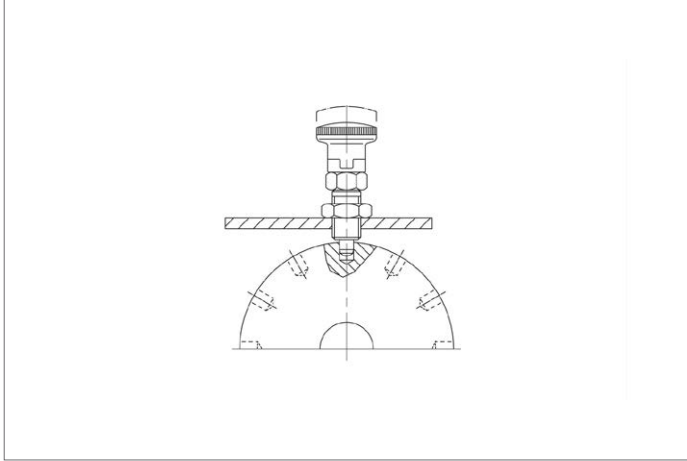
Lock nuts sold separately. See Products 65690 and 65692

Tips

Grip non-removable.

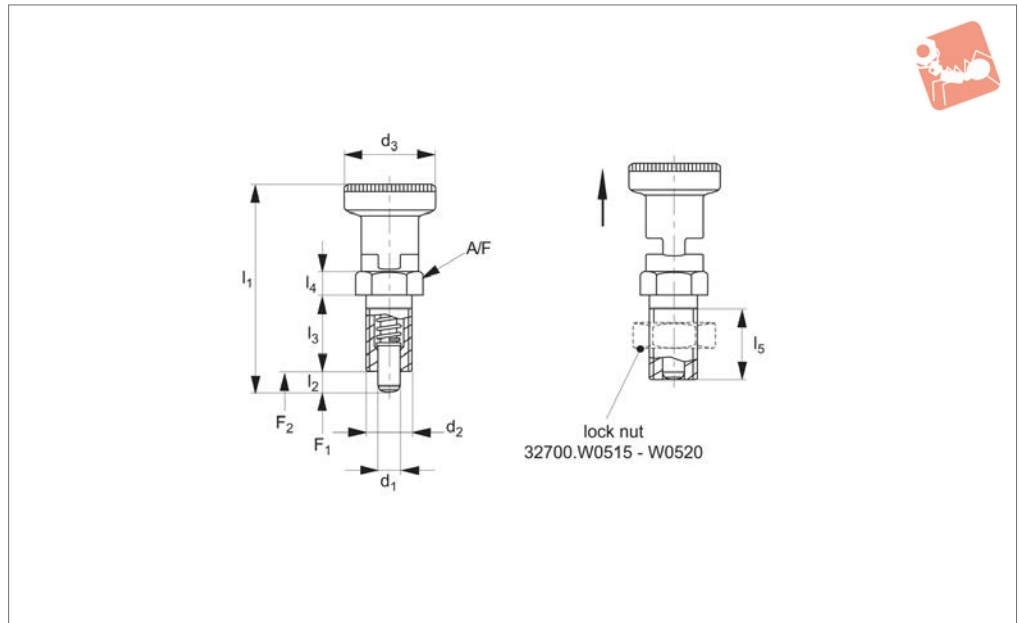
Spring loads * = statistical average.

Order No.	Type	Material	d_1 -0.02 -0.04	d_2	d_3	l_1 ≈	l_2 min.	l_3	l_4	l_5 min.	A/F	Spring load F_1 N ≈	Spring load F_2 N ≈	Weight g
32710.W0205	Locking	Steel	5	M10x1,0	21	51.0	5	17	5	15	12	6.0	14	22
32710.W0206	Locking	Steel	6	M12x1,5	25	61.0	6	20	6	17	14	5.5	13	36
32710.W0208	Locking	Steel	8	M16x1,5	31	75.5	8	26	8	23	19	1.5	28	79
32710.W0210	Locking	Steel	10	M20x1,5	31	91.0	10	33	10	30	22	28.0	54	134
32710.W0605	Locking	Stainless	5	M10x1,0	21	51.0	5	17	5	15	12	6.0	14	22
32710.W0606	Locking	Stainless	6	M12x1,5	25	61.0	6	20	6	17	14	5.5	13	36
32710.W0608	Locking	Stainless	8	M16x1,5	31	75.5	8	26	8	23	19	1.5	28	79
32710.W0610	Locking	Stainless	10	M20x1,5	31	91.0	10	33	10	30	22	28.0	54	134





32712



Material

All Stainless Steel Type-

Body: stainless steel 1.4305 (AISI 303).
 Pin: stainless steel 1.4305, nickel plated.
 Grip: stainless steel 1.4305 (AISI 303).
 Spring: stainless steel 1.4310 (AISI 301).

Technical Notes

„Locking“ type- enable pin to be held in retracted/non-projecting position; pull

back grip, turn 90° to engage ,locking‘ on a notched catch.

Thread recess on body allows full engagement of thread length. Hexagon collar improves leverage for secure installation. Temperature resistance from -30° to +80°C.

Distance collars no. 32750 can be used to adapt screw length.

Lock nuts sold separately. See Products 65690 and 65692

Tips

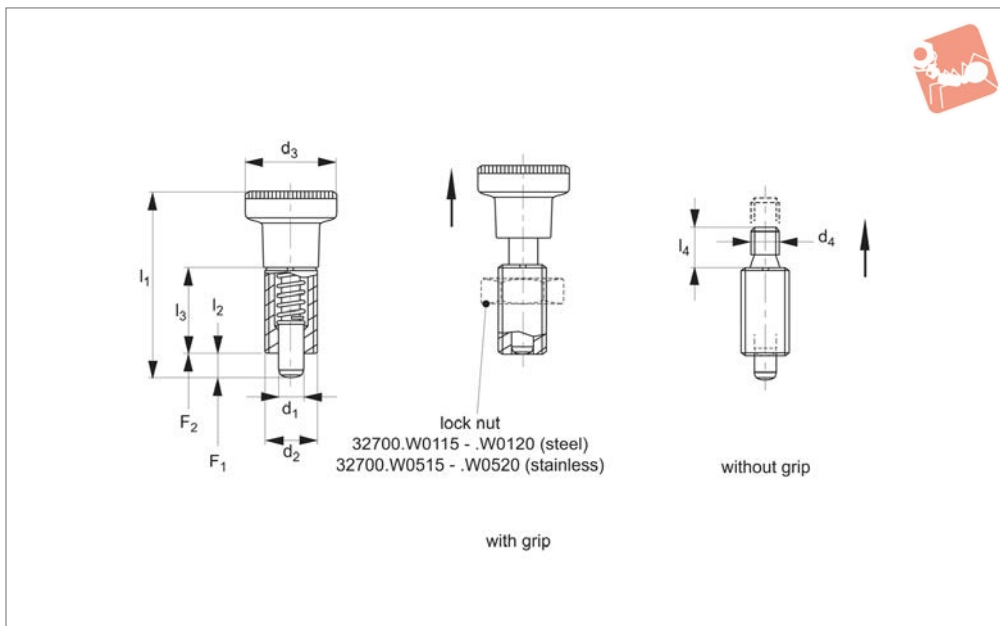
Complete stainless steel construction designed with specific demands of food processing, pharmaceutical and water treatment industries in mind. Grip non-removable. Spring Loads* = statistical average.

Order No.	Type	d ₁ -0.02 -0.04	d ₂	d ₃	l ₁ ≈	l ₂ min.	l ₃	l ₄	l ₅	A/F	Spring load F ₁ N ≈	Spring load F ₂ N ≈	Weight g
32712.W0705	Locking	5	M10x1,0	21	51.0	5	17	5	15	12	6.0	14	43
32712.W0706	Locking	6	M12x1,5	25	61.0	6	20	6	17	14	5.5	13	71
32712.W0708	Locking	8	M16x1,5	31	75.5	7	26	8	23	19	11.5	28	144
32712.W0710	Locking	10	M20x1,5	31	91.0	10	33	10	30	22	28.0	54	202



Index Plunger - Pull Grip non-locking

Index Plunger & Pins



32740

INDEX PLUNGER & PINS

Material

Free Cutting Steel Type-

Body: free cutting steel, blackened.

Pin: steel, hardened.

Grip: thermoplastic PA6, black.

Stainless steel type -

Body: stainless steel 1.4305 (AISI 303).

Pin: stainless steel 1.4305 (AISI 303),

nickel plated.

Grip: thermoplastic PA6, black.

Technical Notes

„Non Locking“ type- pin simply springs back when pull ring released.

Plungers without grip enable your own adaptation with actuation grip/lever to your own design. Installation requires use of specific assembly tool, see data table.

Without grip temperature resistance up to 250°C.

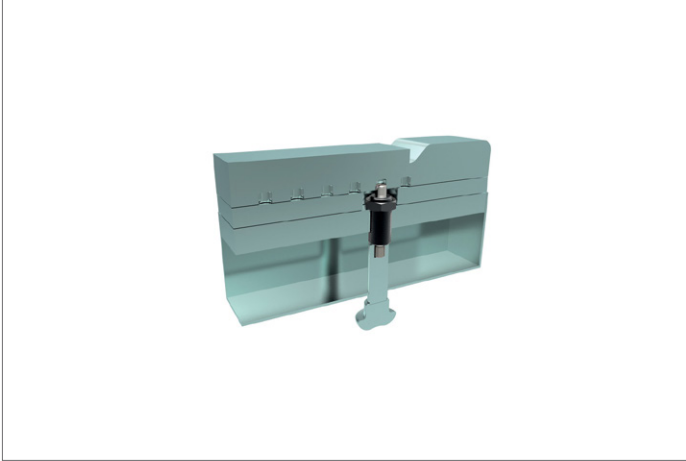
Lock nuts sold separately. See Products 65690 and 65692

Tips

Grip non-removable.

Spring loads * = statistical average.

Order No.	Type	Material	d ₁	d ₂	d ₃	d ₄	l ₁	l ₂	l ₃	l ₄	Spring load F ₁ N	Spring load F ₂ N	Weight g
32740.W0045	With Grip	Steel	5	M10x1,0	21	-	45.0	5	22	-	6.0	14	17
32740.W0046	With Grip	Steel	6	M12x1,5	25	-	54.5	6	26	-	5.5	13	27
32740.W0048	With Grip	Steel	8	M16x1,5	31	-	69.0	8	34	-	11.5	28	63
32740.W0050	With Grip	Steel	10	M20x1,5	31	-	80.0	10	41	-	23.0	54	104
32740.W0065	No Grip	Steel	5	M10x1,0	-	M 5	-	5	22	6	6.0	14	12
32740.W0066	No Grip	Steel	6	M12x1,5	-	M 6	-	6	26	10	5.5	13	12
32740.W0068	No Grip	Steel	8	M16x1,5	-	M 8	-	8	34	12	11.5	28	46
32740.W0070	No Grip	Steel	10	M20x1,5	-	M 8	-	10	43	12	23.0	54	87
32740.W0445	With Grip	Stainless	5	M10x1,0	21	-	45.0	5	22	-	6.0	14	17
32740.W0446	With Grip	Stainless	6	M12x1,5	25	-	54.5	6	26	-	5.5	13	27
32740.W0448	With Grip	Stainless	8	M16x1,5	31	-	69.0	8	34	-	11.5	28	63
32740.W0450	With Grip	Stainless	10	M20x1,5	31	-	80.0	10	41	-	23.0	54	104
32740.W0465	No Grip	Stainless	5	M10x1,0	-	M 5	-	5	22	6	6.0	14	12
32740.W0466	No Grip	Stainless	6	M12x1,5	-	M 6	-	6	26	10	5.5	13	12
32740.W0468	No Grip	Stainless	8	M16x1,5	-	M 8	-	8	34	12	11.5	28	46
32740.W0470	No Grip	Stainless	10	M20x1,5	-	M 8	-	10	43	12	23.0	54	87
32740.W0955	Assembly Tool	Steel	-	for M10x1,0	-	-	-	-	-	-	-	-	10
32740.W0956	Assembly Tool	Steel	-	for M12x1,5	-	-	-	-	-	-	-	-	14
32740.W0958	Assembly Tool	Steel	-	for M16x1,5	-	-	-	-	-	-	-	-	25
32740.W0960	Assembly Tool	Steel	-	for M20x1,5	-	-	-	-	-	-	-	-	27

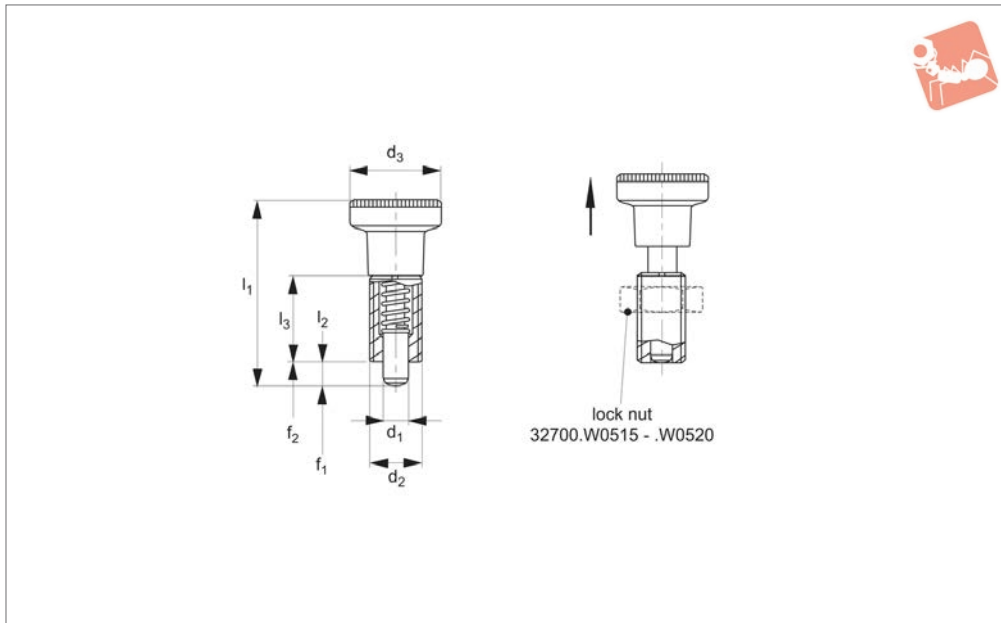




Index Plunger - Pull Grip

non-locking - ALL stainless

Index Plunger & Pins



32742

INDEX PLUNGER & PINS

Material

All Stainless Steel Type-

Body: stainless steel 1.4305 (AISI 303).
 Locking pin: stainless steel 1.4305 (AISI 303), nickel plated.
 Grip: stainless steel 1.4305 (AISI 303).
 Spring: stainless steel 1.4310 (AISI 301).

Technical Notes

„Non Locking“ type- pin simply springs

back when pull ring released.
 Temperature resistance -30°C to +80°C
 Installation requires use of specific assembly tool, see part nos. 32740.W0955 to .W0960.

Lock nuts sold separately. See Products 65690 and 65692

Tips

Complete stainless steel construction designed with specific demands of food processing, pharmaceutical and water treatment industries in mind. Grip non-removable. Spring Load* = statistical average.

Order No.	Type	d_1 -0.02 -0.04	d_2	d_3	l_1 ≈	l_2 min.	l_3	Spring load F_1 N ≈	Spring load F_2 N ≈	Weight g
32742.W0705	Non Locking	5	M10x1,0	21	45.0	5	22	6.0	14	37.0
32742.W0706	Non Locking	6	M12x1,5	25	54.5	6	26	5.5	13	62.0
32742.W0707	Non Locking	8	M16x1,5	31	69.0	8	34	11.5	28	124.0
32742.W0710	Non Locking	10	M20x1,5	31	80.0	10	43	23.0	54	165.0



A Wide Selection of Solutions

Applications

- Locating and positioning.
- Indexing.
- Securing.
- Positive locking.
- Rapid adjustment of all kinds of tables, platforms and fixtures.
- Machine and fixture design.
- OEM products.
- Sports equipment.
- Medical aides (wheelchairs etc.).
- Aerospace.
- Machine cabinets.

Materials



Steel with plastic grip

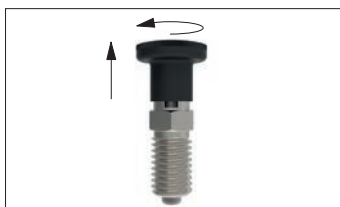


Stainless with plastic grip



Stainless body and grip

Locking or Non Locking



Locking (park)



Non locking (spring back)



Push pull

Handling and Actuation Methods



Standard grip



Lever grip



T-handle



Pull ring



Threaded for bespoke handle

Mounting Options



Fine threaded (standard)



Coarse thread



Flange mount



Thin wall mount



Weldable

Additional Technical Notes

- Unless otherwise stated, grips on index plungers are not removable.
- Many of the pins on index plungers are toleranced to either the pin or the hole. Please refer to the specific product table.
- Index plungers are not recommended for shear load applications.

	Pin Tol.	Hole Tol.
①	h_9	+0,03 +0,08
②	-0,02 -0,04	H_7

Spring Loads

- s** Stroke, or movement of plunger's pin.
- f₁** The force required in Newtons (N) to overcome the static strength of the spring and achieve initial movement of the plunger's pin.
- f₂** The force required in Newtons (N) to fully compress the spring until the pin is fully depressed against the plunger's body.

