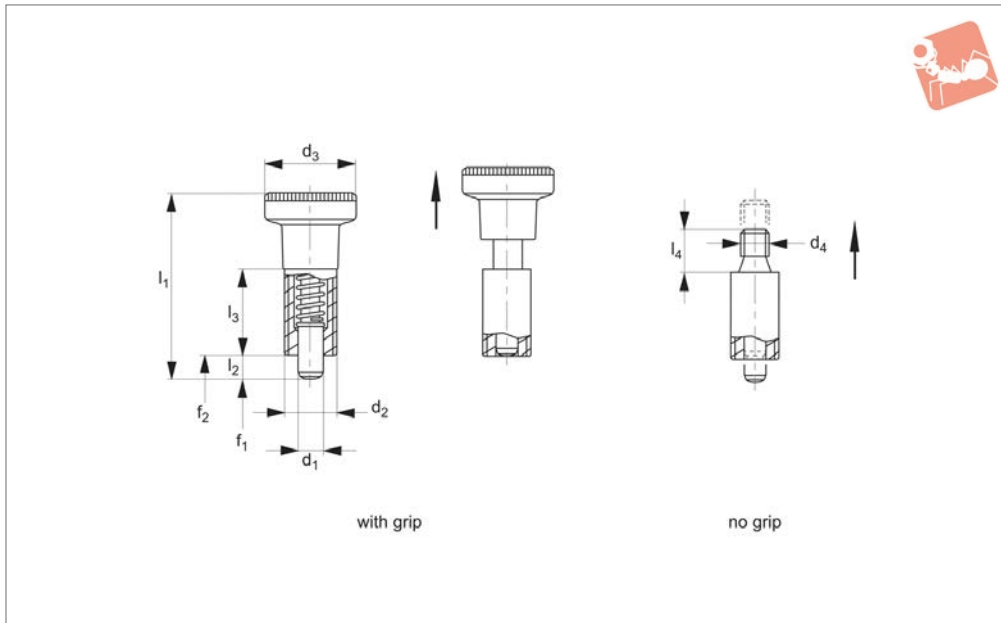




Index Plunger - Pull Grip

weldable - non-locking

Index Plunger & Pins



32720

INDEX PLUNGER & PINS

Material

Body: free cutting steel, blackened, weldable.
Pin: hardened steel.
Grip: plastic (PA 6), black, non-removable.

Technical Notes

„Non Locking“ type- pin simply springs

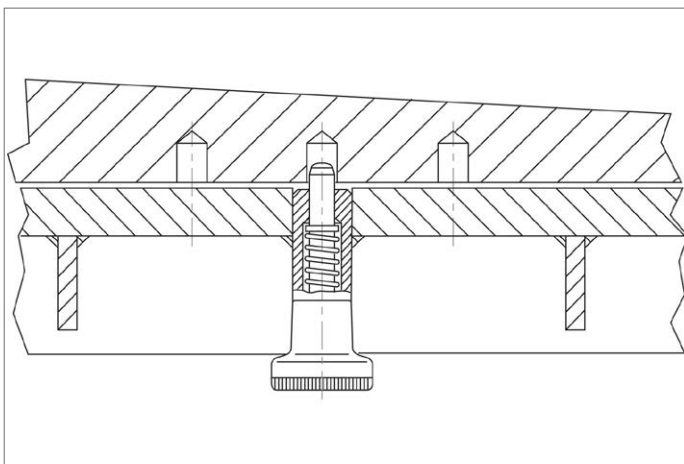
back when pull ring released.
Designed specifically for installation via welding or use of glues. Plungers without grip enable your own adaptation with actuation grip/lever to your own design. Without grip temperature resistance up to 250°C .

Tips

Grip non-removable.
Spring loads * = statistical average.

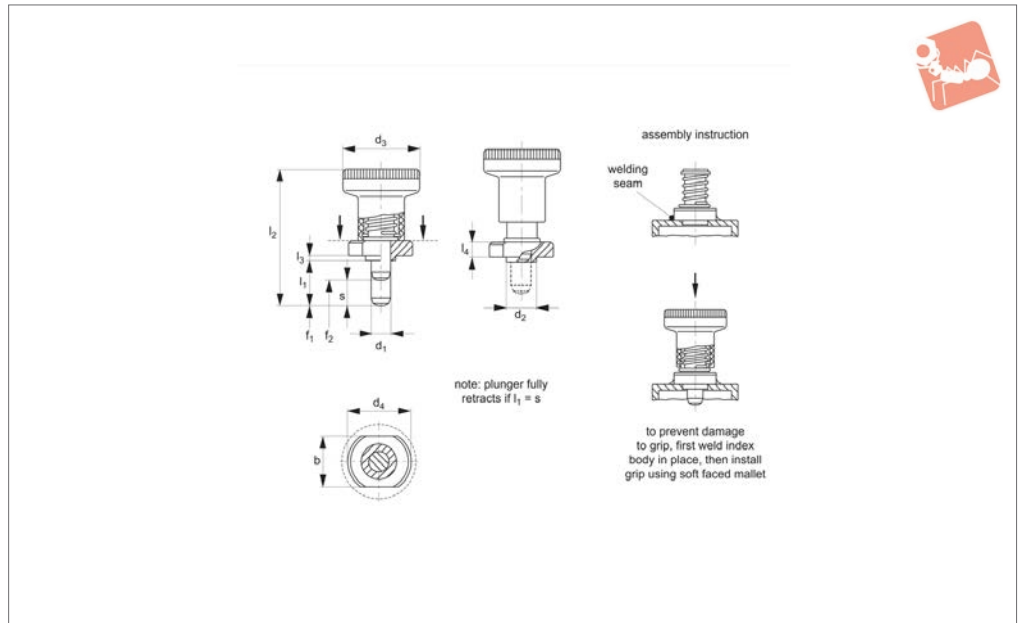
Order No.

- 32720.W0805
- 32720.W0806
- 32720.W0808
- 32720.W0825
- 32720.W0826
- 32720.W0828





32762



Material

Body: steel blackened.
 Locking Pin: hardened.
 Grip: black matte finish, not removable.

Technical Notes

„**Locking**“ type- enable pin to be held in retracted position; pull back grip, turn 90° to engage ‚locking‘ on a notched catch.

„**Non Locking**“ type- pin simply springs back when grip released.

Installation requires welding of plunger body to component. To avoid damage to plastic grip, item is supplied part assembled. Grip is driven in indexing mechanism with a light mallet. Non removable once installed.

Pin does not fully retract in all cases - note dimension ‚s‘ the stroke of the pin, i.e. the amount by which the pin retracts when actuated.

Temperature resistance -30°C to +80°C

Tips

Spring load* = statistical average.

Important Notes

Only parts 32762.W0826,W0828,W0836 and W0838 have fully retractable index bolt. Bolt of other parts do not fully retract into body, instead bolt will protrude by l_1-s when grip actuated.

Order No.	Type	d_1 -0.02 -0.1	l_1	b	d_2 -0.02 -0.04	d_3	Weight g
32762.W0826	Non Locking	6	6	18	10	25	35
32762.W0828	Non Locking	8	8	20	12	31	55
32762.W0829	Non Locking	8	18	20	12	31	60
32762.W0836	Locking	6	6	18	10	25	35
32762.W0839	Locking	8	18	20	12	31	60
32762.W0827	Non Locking	6	14	18	10	25	36
32762.W0837	Locking	6	14	18	10	25	36
32762.W0838	Locking	8	8	20	12	31	55

Order No.	d_4	l_2	l_3	l_4	s	Spring load F_1 N ≈	Spring load F_2 N ≈	Axial load N
32762.W0826	22	37	1.5	5.5	6	8.5	22	400
32762.W0828	25	44	2.0	6.5	8	15.5	28	500
32762.W0829	25	44	2.0	6.5	8	15.5	28	500
32762.W0836	22	37	1.5	5.5	6	8.5	22	400
32762.W0839	25	44	2.0	6.5	8	15.5	28	500
32762.W0827	22	37	1.5	5.5	6	8.5	22	400
32762.W0837	22	37	1.5	5.5	6	8.5	22	400
32762.W0838	25	44	2.0	6.5	8	15.5	28	500



A Wide Selection of Solutions

- Locating and positioning.
- Indexing.
- Securing.
- Positive locking.
- Rapid adjustment of all kinds of tables, platforms and fixtures.
- Machine and fixture design.
- OEM products.
- Sports equipment.
- Medical aides (wheelchairs etc.).
- Aerospace.
- Machine cabinets.

Applications

Materials

Locking or Non Locking

Handling and Actuation Methods

Mounting Options

Additional Technical Notes

Spring Loads



Steel with plastic grip



Stainless with plastic grip



Stainless body and grip



Locking (park)



Non locking (spring back)



Push pull



Standard grip



Lever grip



T-handle



Pull ring



Threaded for bespoke handle



Fine threaded (standard)



Coarse thread



Flange mount



Thin wall mount



Weldable

- Unless otherwise stated, grips on index plungers are not removable.
- Many of the pins on index plungers are toleranced to either the pin or the hole. Please refer to the specific product table.
- Index plungers are not recommended for shear load applications.

	Pin Tol.	Hole Tol.
①	h_9	+0,03 +0,08
②	-0,02 -0,04	H_7

s Stroke, or movement of plunger's pin.

f₁ The force required in Newtons (N) to overcome the static strength of the spring and achieve initial movement of the plunger's pin.

f₂ The force required in Newtons (N) to fully compress the spring until the pin is fully depressed against the plunger's body.

