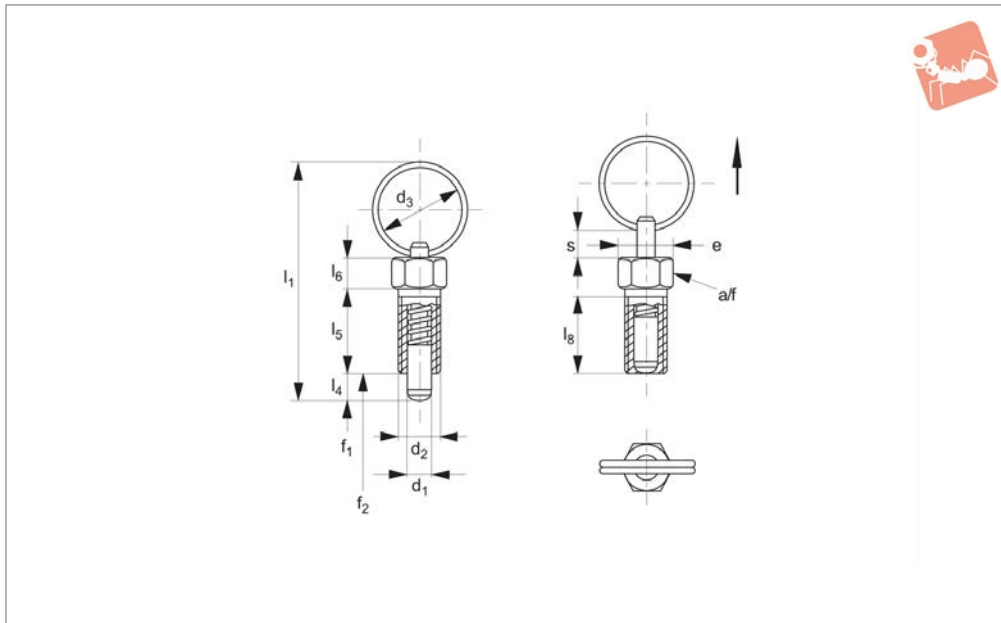




# Index Plungers - Pull Ring

non-locking - coarse thread

# Index Plunger & Pins



**32550**

INDEX PLUNGER & PINS

### Material

Body: free cutting steel, galvanized.  
 Pin: stainless steel 1.4305 (AISI 303).  
 Pull Ring: stainless steel 1.4310 (AISI 301).

not required.

### Coarse thread.

Temperature resistance up to 250°C

**Lock nuts sold separately.** See products 65690 and 65692

### Technical Notes

For applications where high precision is

### Tips

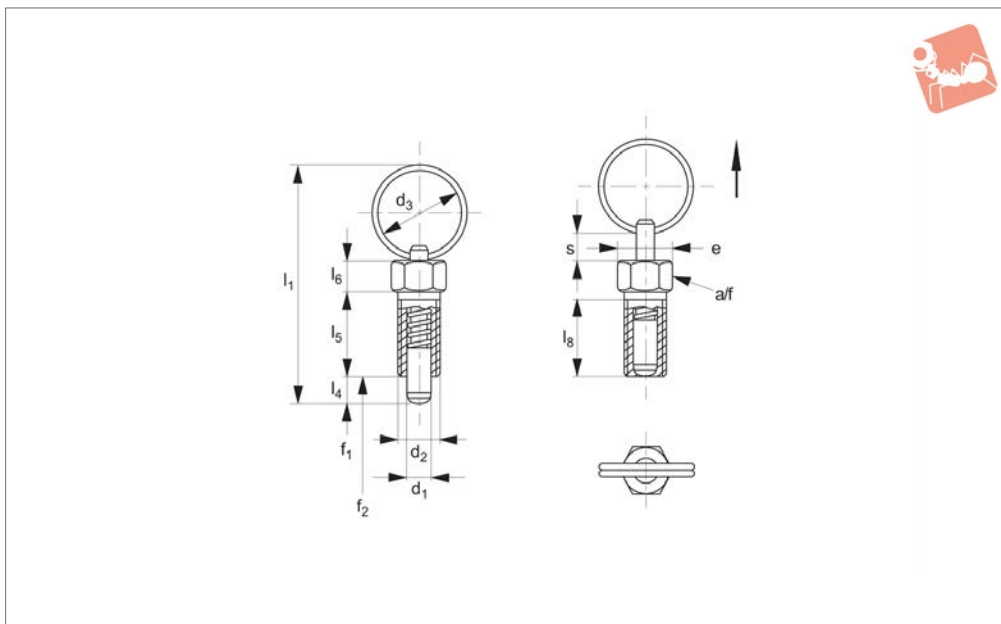
Spring loads \* = statistical average

Order No.	Type	d <sub>1</sub> tol. h9	d <sub>2</sub>	d <sub>3</sub>	e	l <sub>1</sub>	l <sub>4</sub> =s min.	l <sub>5</sub>	l <sub>6</sub>	l <sub>8</sub>	A/F	Spring load	Spring load	Tightening torque	Weight
												F <sub>1</sub> N ≈	F <sub>2</sub> N ≈	Nm max.	g
<b>32550.W0723</b>	Non Locking	3	M 6x1,00	14	6,9	34,0	3,5	12	4,5	10,0	6	3	12	2	3,2
<b>32550.W0724</b>	Non Locking	4	M 6x1,00	14	6,9	34,5	4	12	4,5	10,0	6	3	12	2	3,6
<b>32550.W0725</b>	Non Locking	5	M 8x1,25	18	9,2	45,0	5	15	6,0	13,5	8	5	24	7	8,4
<b>32550.W0726</b>	Non Locking	6	M10x1,50	24	11,5	57,5	6	20	7,5	17,0	10	5	21	15	17,0
<b>32550.W0728</b>	Non Locking	8	M12x1,75	30	13,8	71,0	8	24	9,0	20,5	12	6	22	20	31,0





**32551**



**Material**

Body: stainless steel 1.4305 (AISI 303).  
 Pin: stainless steel 1.4305 (AISI 303).  
 Pull ring: stainless steel 1.4310 (AISI 301).

**Coarse thread.**

Temperature resistance up to 250°C  
**Lock nuts sold separately.** See products 65690 and 65692

**Technical Notes**

For applications where high precision is not required.

**Tips**

Spring loads \* = statistical average.

Order No.	Type	d <sub>1</sub> tol. h9	d <sub>2</sub>	d <sub>3</sub>	e	l <sub>1</sub>	l <sub>4</sub> =s min.	l <sub>5</sub>	l <sub>6</sub>	l <sub>8</sub>	A/F	Spring load		Tightening torque Nm max.	Weight g
												F <sub>1</sub> N ≈	F <sub>2</sub> N ≈		
<b>32551.W0773</b>	Non Locking	3	M 6x1,00	14	6,9	34,0	3,5	12	4,5	10,0	6	3	12	2	3,2
<b>32551.W0774</b>	Non Locking	4	M 6x1,00	14	6,9	34,5	4	12	4,5	10,0	6	3	12	2	3,6
<b>32551.W0775</b>	Non Locking	5	M 8x1,25	18	9,2	45,0	5	15	6,0	13,5	8	5	24	7	8,4
<b>32551.W0776</b>	Non Locking	6	M10x1,50	24	11,5	57,5	6	20	7,5	17,0	10	5	21	15	17,0
<b>32551.W0778</b>	Non Locking	8	M12x1,75	30	13,8	71,0	8	24	9,0	20,5	12	6	22	30	31,0





## A Wide Selection of Solutions

- Locating and positioning.
- Indexing.
- Securing.
- Positive locking.
- Rapid adjustment of all kinds of tables, platforms and fixtures.
- Machine and fixture design.
- OEM products.
- Sports equipment.
- Medical aides (wheelchairs etc.).
- Aerospace.
- Machine cabinets.

## Applications

## Materials

## Locking or Non Locking

## Handling and Actuation Methods

## Mounting Options

## Additional Technical Notes

## Spring Loads



Steel with plastic grip



Stainless with plastic grip



Stainless body and grip



Locking (park)



Non locking (spring back)



Push pull



Standard grip



Lever grip



T-handle



Pull ring



Threaded for bespoke handle



Fine threaded (standard)



Coarse thread



Flange mount



Thin wall mount



Weldable

- Unless otherwise stated, grips on index plungers are not removable.
- Many of the pins on index plungers are toleranced to either the pin or the hole. Please refer to the specific product table.
- Index plungers are not recommended for shear load applications.

	Pin Tol.	Hole Tol.
①	$h_9$	+0,03 +0,08
②	-0,02 -0,04	$H_7$

**s** Stroke, or movement of plunger's pin.

**f<sub>1</sub>** The force required in Newtons (N) to overcome the static strength of the spring and achieve initial movement of the plunger's pin.

**f<sub>2</sub>** The force required in Newtons (N) to fully compress the spring until the pin is fully depressed against the plunger's body.

