

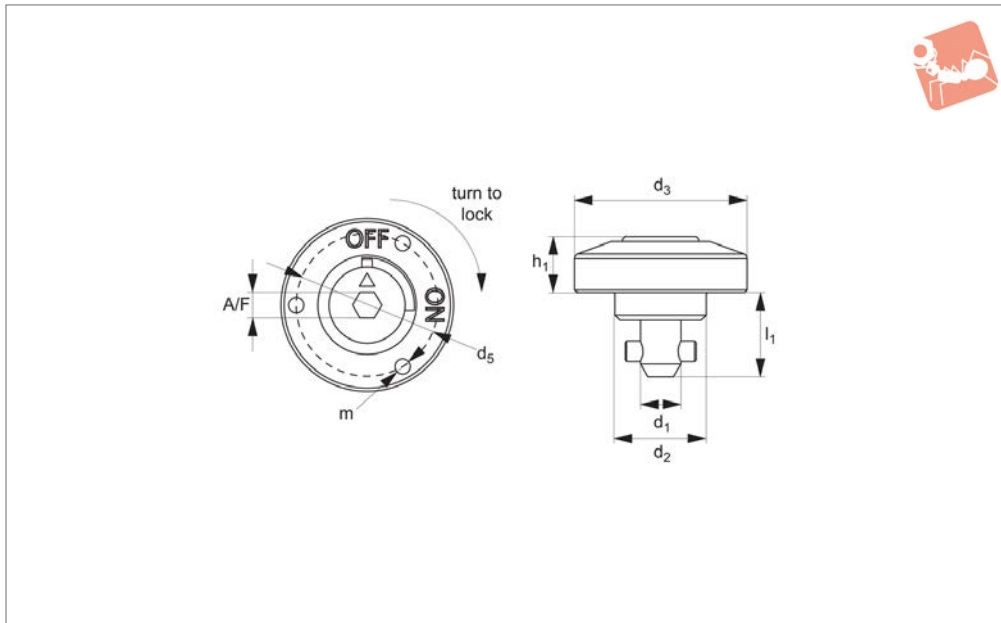


# One-Touch Fastener - Cam Locking

quarter turn - low height - hex key - steel



## One Touch Fasteners



**33945**

ONE TOUCH FASTENERS

### Material

Body: stainless steel SUS303.  
Shank: steel, nickel plated.  
Pin: stainless SUS 304.

### Technical Notes

One-touch fasteners are the ideal solution for applications requiring rapid and recurring change over of tooling or set ups. Use in applications as diverse as bottling processes, machine covers, changing of

cogs and drive belts. One-touch fasteners provide a quick, simple and secure change over solution - no time wasted in unfastening screws or other permanent fixings, and no opportunity for lost fixings in your machinery.  
Temperature resistant to 200°C.

### Important Notes

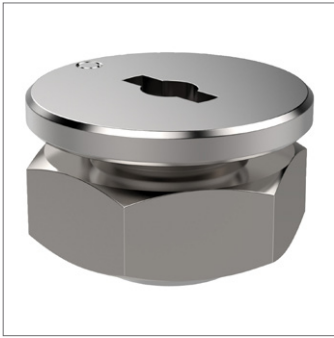
Suitable for panels/enclosures of 6 to 20 mm thickness. For locating bushes see part

no. 33948 and 33949.

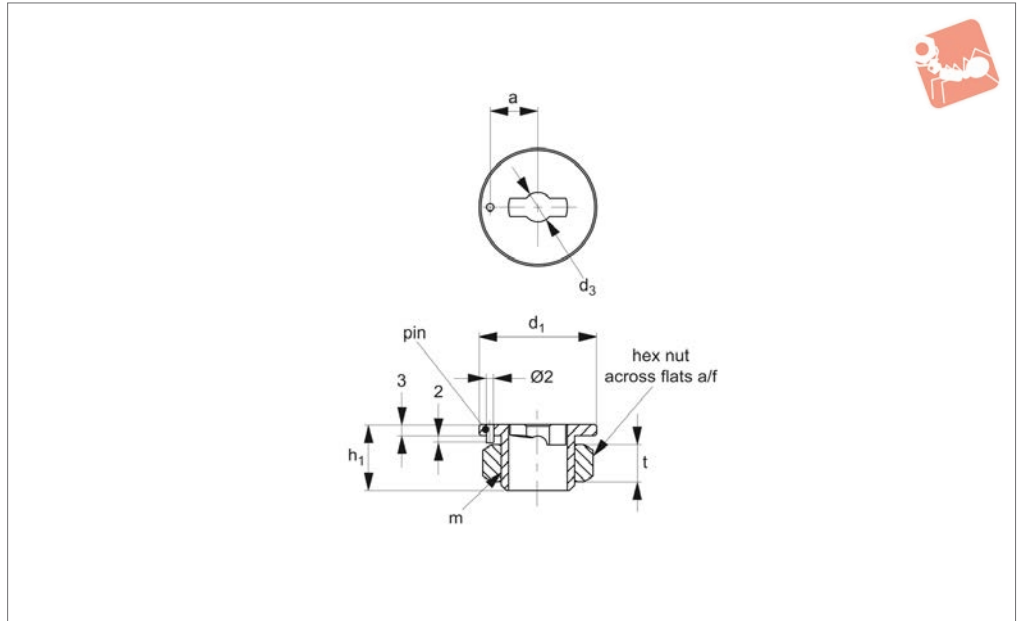
### Actuation:

- Use suitable hex key to turn lock to off position. Present cover panel to frame and align to locking bush.
- With the hex key, now turn the lock back 45° to the on position; locking pin follows, tightening fastener and fastening panel.

Order No.	For single panel thickness	Clamping force N	d <sub>1</sub> -0.04,   - tol. h9 0.08	d <sub>2</sub>	d <sub>3</sub>	l <sub>1</sub>	h <sub>1</sub>	m	Shear strength N	Tensile strength N	A/F	Weight g
<b>33945.W1005</b>	6 - 10	60	5	14	25	15,5	8	M 2x0,4	1800	1200	4	30
<b>33945.W1408</b>	6 - 14	90	8	18	34	17,0	11	M 3x0,5	3200	2600	5	105
<b>33945.W2008</b>	12 - 20	90	8	18	34	23,0	11	M 3x0,5	3200	2600	5	110



## 33948



### Material

Body: steel, nickel plated or stainless steel.

Nut: stainless steel.

### Technical Notes

Used in conjunction with one-touch fasteners 33940 to 33946, locating bushes 33948 provide secure fastening of panels

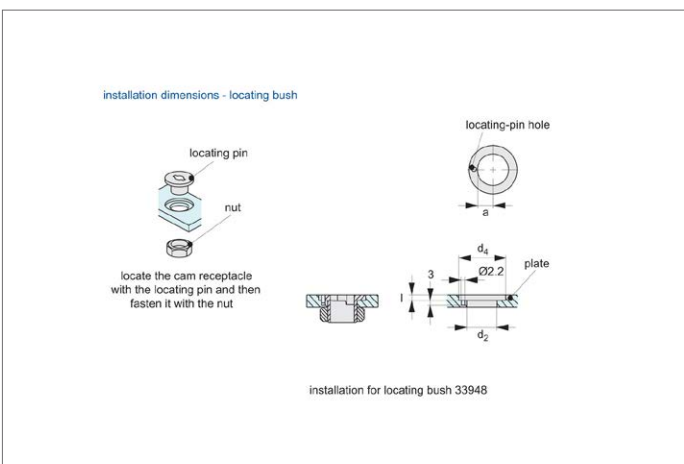
and covers. Locating bushes are of particular use in soft metals, such as aluminium where receiving surfaces may wear. One-touch fasteners are the ideal solution for applications requiring rapid and recurring change over of tooling or set ups. Use in applications as diverse as bottling processes, machine covers, changing of

cogs and drive belts. Temperature resistant to 200°C.

### Important Notes

Suitable for panels/enclosures of 6 to 12 mm thickness. For one-touch fasteners see part nos. 33940 to 33946. For installation instructions see technical page.

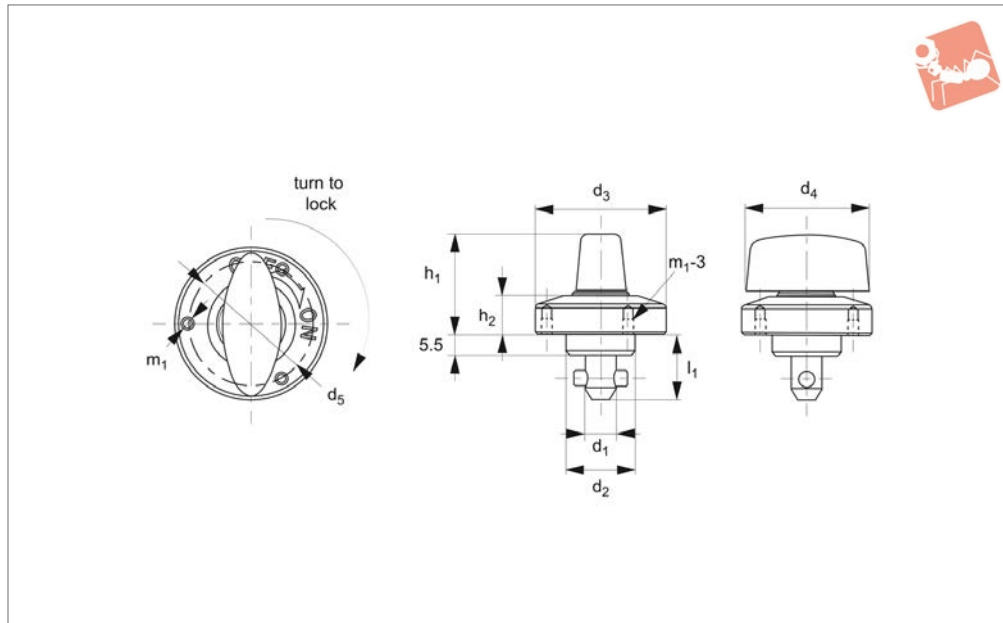
Order No.	For single panel thickness	Material	$d_1$ -0.04   -0.08	$d_2$	$d_3$ +0.08   +0.04	$d_4$ +0.10   +0.05	$a$ $\pm 0.1$	$l_1$	$h_1$	$m$	$t$	A/F	Weight g
33948.W0005	6-10	Steel	25	15	5	25	10,5	3,5	16	M14x1,5	8	22	40
33948.W0008	6-12	Steel	32	21	8	32	13,0	3,5	18	M20x1,5	10	30	55
33948.W0105	6-10	Stainless Steel	25	15	5	25	10,5	3,5	16	M14x1,5	8	22	40
33948.W0108	6-12	Stainless Steel	32	21	8	32	13,0	3,5	18	M20x1,5	10	30	55





# One-Touch Fastener - Cam Locking

quarter turn - t-handle grip -plastic



**33940**

ONE TOUCH FASTENERS

### Material

Body: stainless steel SUS303.  
Pin: stainless steel.  
Knob: polyamide, black.  
Spring: steel.

### Technical Notes

One-touch fasteners are the ideal solution for applications requiring rapid and recurring change over of tooling or set ups. Use in applications as diverse as bottling

processes, machine covers, changing of cogs and drive belts. One-touch fasteners provide a quick, simple and secure change over solution - no time wasted in unfastening screws or other permanent fixings, and no opportunity for lost fixings in your machinery.  
Temperature resistant to 130°C.

### Important Notes

Suitable for panels/enclosures of 6 to 20

mm thickness. For locating bushes see part no. 33948 and 33949.

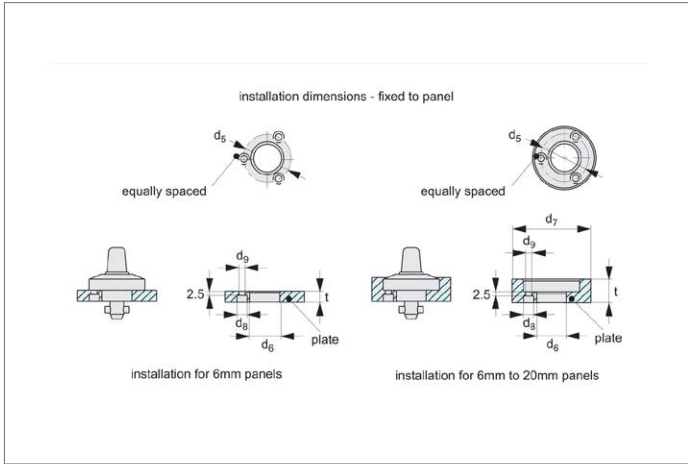
### Actuation:

- Turn handle to off position: present cover panel to frame and align to locating bush.
- Turn handle 45° to on position: locking pin follows cam, tightening fastener and securely fastening panel.

Order No.	For single panel thickness	Clamping force N	$d_1$ -0.04 -0.08	$d_2$ tol. h9	$d_3$	$d_4$	$d_5$	$d_6$ +0,10 +0,05	$d_7$	Weight g
<b>33940.W1005</b>	06-10	60	5	14	25	20	21	14	26	35
<b>33940.W1408</b>	6-14	90	8	18	34	32	28	18	35	105
<b>33940.W2008</b>	12-20	90	8	18	34	32	28	18	35	110

Order No.	$d_8$	$d_9$	$l_1$	m	Shear strength N	Tensile strength N
<b>33940.W1005</b>	4.4	2.4	15.5	M 2x0,4	1800	1200
<b>33940.W1408</b>	4.4	2.4	17.0	M 3x0,5	3200	2600
<b>33940.W2008</b>	6.5	3.4	23.0	M 3x0,5	3200	2600



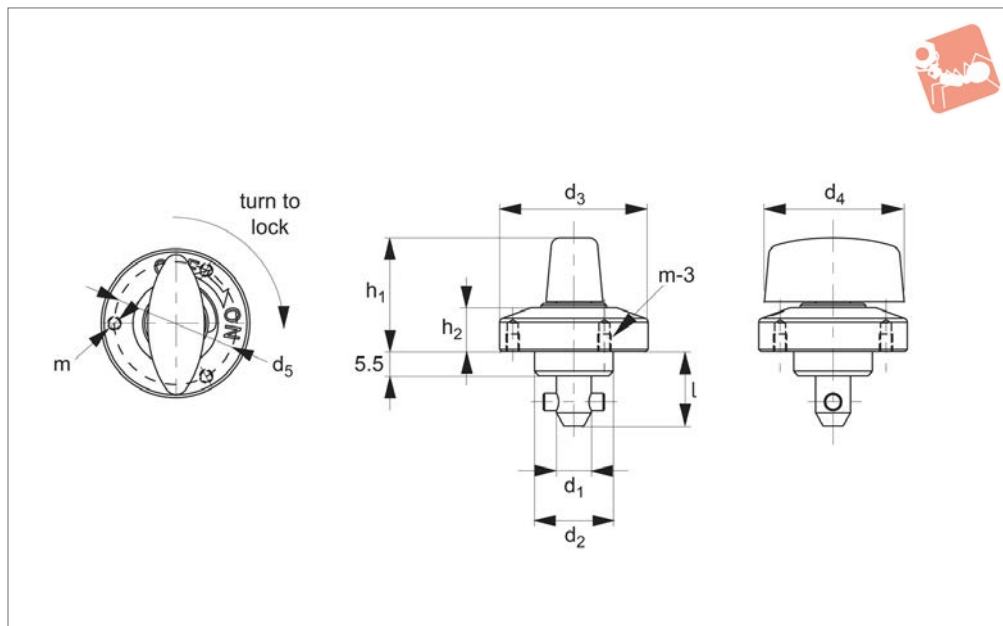


# One-Touch Fastener - Cam Locking

quarter turn - t-handle grip - steel



## One Touch Fasteners



**33942**

ONE TOUCH FASTENERS

### Material

Body, Pin and Knob: SUS303 stainless steel.

Shank: S45C steel nickel plated.

Spring: SWOSC-V steel.

### Technical Notes

One-touch fasteners are the ideal solution for applications requiring rapid and recurring change over of tooling or set ups. Use in applications as diverse as bottling

processes, machine covers, changing of cogs and drive belts. One-touch fasteners provide a quick, simple and secure change over solution - no time wasted in unfastening screws or other permanent fixings, and no opportunity for lost fixings in your machinery.

Temperature resistant to 200°C.

### Important Notes

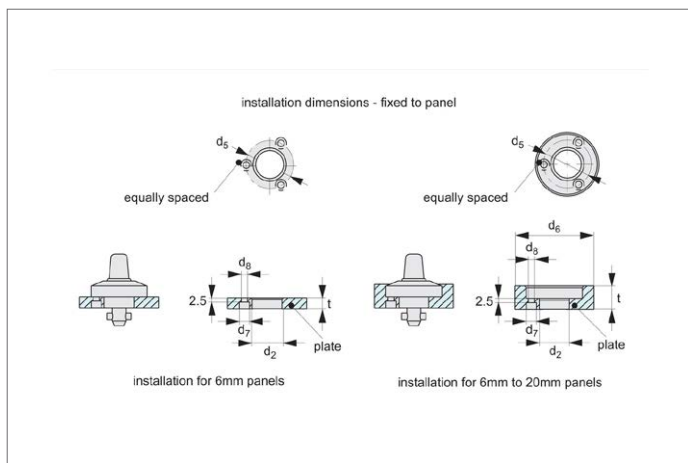
Suitable for panels/enclosures of 6 to 20

mm thickness. For locating bushes see part no. 33948 and 33949.

### Actuation:

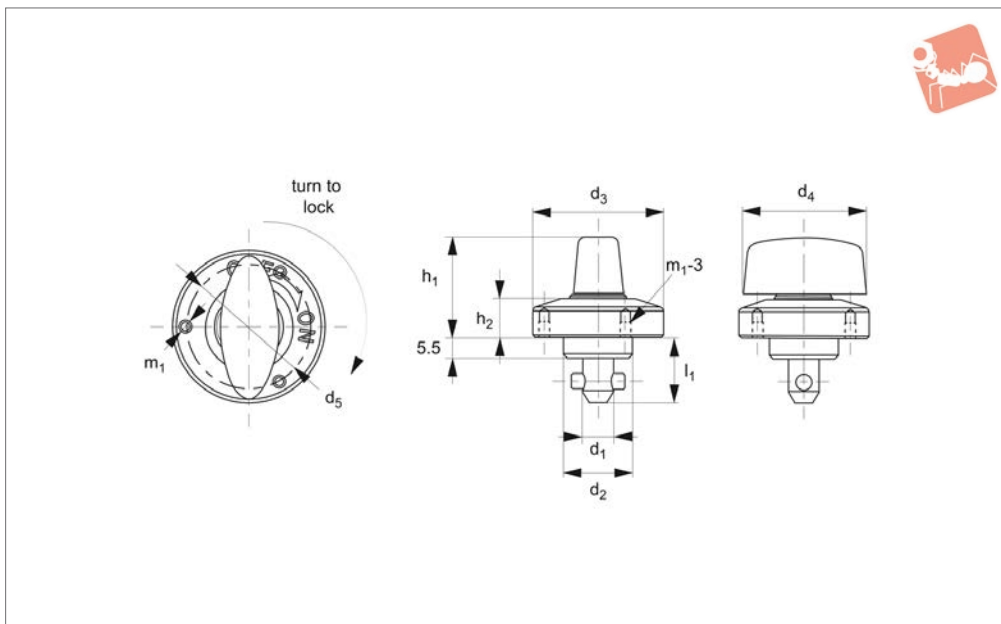
- Turn handle to off position: present cover panel to frame and align to locating bush.
- Turn handle 45° to on position: locking pin follows cam, tightening fastener and securely fastening panel.

Order No.	For single panel thickness	Clamping force N	d <sub>1</sub> -0.04 -0.08	d <sub>2</sub> tol. h9	d <sub>3</sub>	d <sub>4</sub>	d <sub>5</sub>	h <sub>1</sub>	h <sub>2</sub>	l	m	Shear strength N	Tensile strength N	Weight g
33942.W1005	6-10	60	5	14	25	20	21	19,0	6,5	15,5	M 2x0,4	1800	1200	40
33942.W1408	6-14	90	8	18	34	32	28	25,5	10,0	17,0	M 3x0,5	3200	2600	130
33942.W2008	12-20	90	8	18	34	32	28	25,5	10,0	23,0	M 3x0,5	3200	2600	135





## 33943



### Material

Body and Shank: stainless steel SUS303.  
Pin, Knob and Spring: stainless steel SUS304.

### Technical Notes

One-touch fasteners are the ideal solution for applications requiring rapid and recurring change over of tooling or set ups. Use in applications as diverse as bottling processes, machine covers, changing of

cogs and drive belts. One-touch fasteners provide a quick, simple and secure change over solution - no time wasted in unfastening screws or other permanent fixings, and no opportunity for lost fixings in your machinery.

Temperature resistant to 200°C.

### Important Notes

Suitable for panels/enclosures of 6 to 20 mm thickness. For locating bushes see part

no. 33948 and 33949.

### Actuation:

- Turn handle to off position: present cover panel to frame and align to locating bush.
- Turn handle 45° to on position: locking pin follows cam, tightening fastener and securely fastening panel.

Order No.	For single panel thickness	Clamping force N	$d_1$ -0.04   - tol. h9 0.08	$d_2$	$d_3$	$d_4$	$d_5$	$l_1$	$h_1$	$h_2$	$m_1$	Shear strength N	Tensile strength N	Weight g
<b>33943.W1005</b>	6-10	60	5	14	25	20	21	15,5	19	6,5	M 2x0,4	1800	1200	35
<b>33943.W1408</b>	6-14	90	8	18	34	32	28	17,0	26	10,0	M 3x0,5	3200	2600	105
<b>33943.W2008</b>	12-20	90	8	18	34	32	28	23,0	26	10,0	M 3x0,5	3200	2600	110

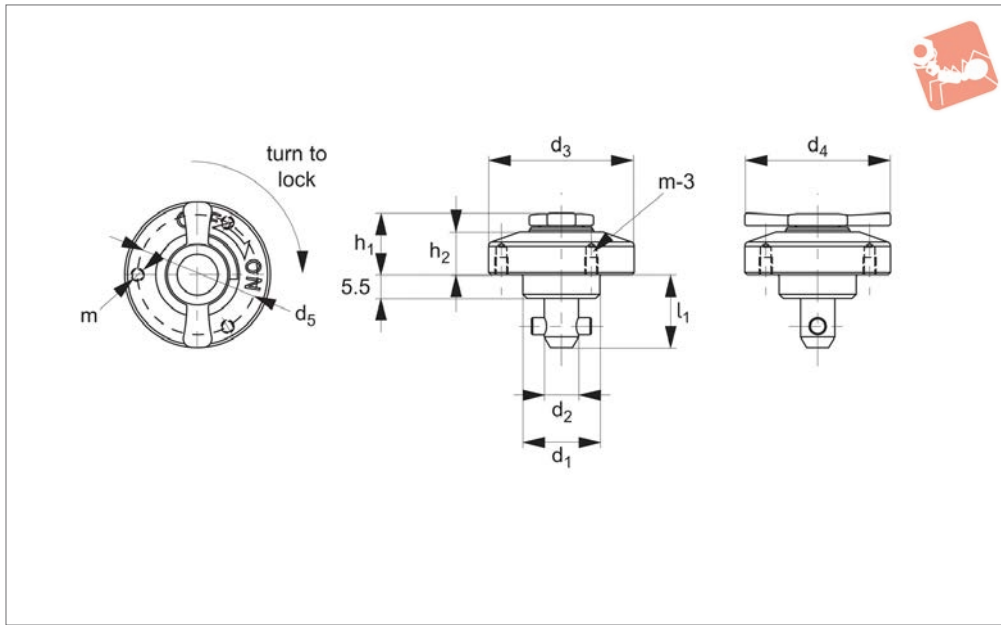


# One-Touch Fastener - Cam Locking

quarter turn - low height - t-handle grip - steel



## One Touch Fasteners



**33944**

ONE TOUCH FASTENERS

### Material

Body and Shank: stainless steel SUS303  
Pin, Knob, Spring: stainless steel SUS304.

### Technical Notes

One-touch fasteners are the ideal solution for applications requiring rapid and recurring change over of tooling or set ups. Use in applications as diverse as bottling processes, machine covers, changing of

cogs and drive belts. One-touch fasteners provide a quick, simple and secure change over solution - no time wasted in unfastening screws or other permanent fixings, and no opportunity for lost fixings in your machinery. Temperature resistant to 200°C.

### Important Notes

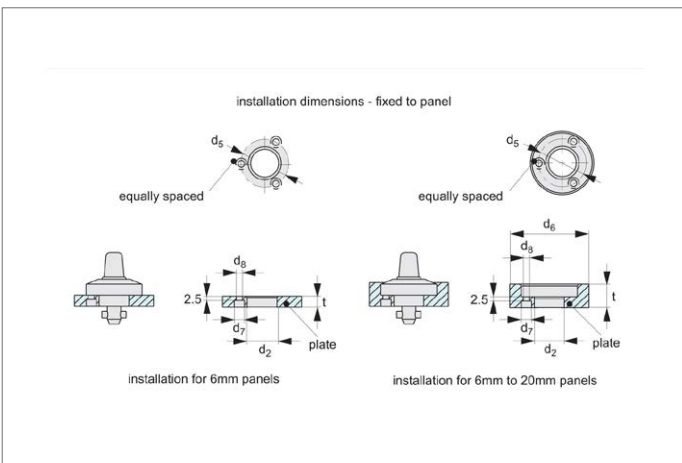
Suitable for panels/enclosures of 6 to 20

mm thickness. For locating bushes see part no. 33948 and 33949.

### Actuation:

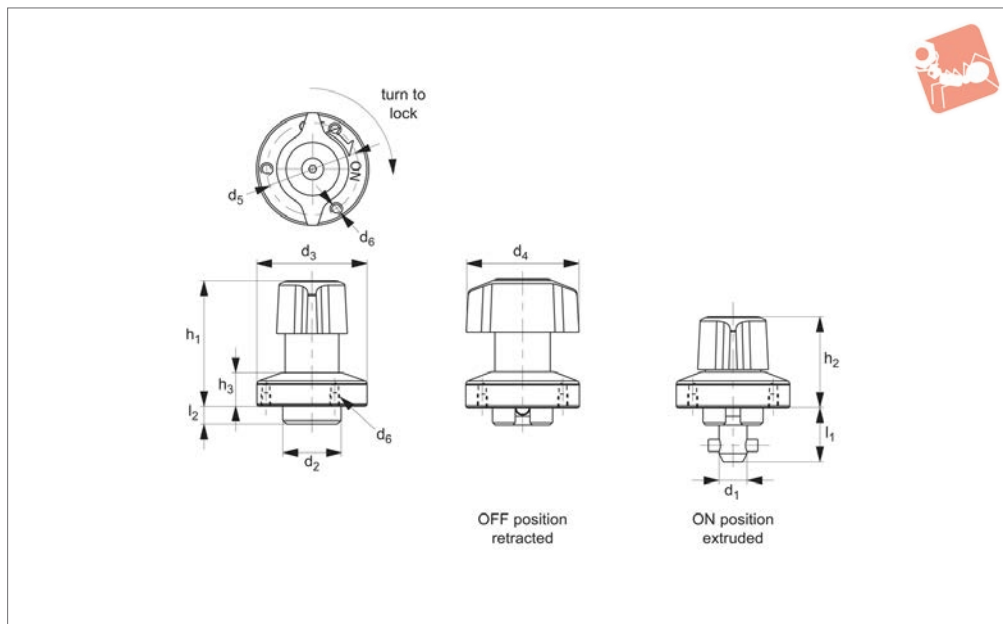
- Turn handle to off position: present cover panel to frame and align to locating bush.
- Turn handle 45° to on position: locking pin follows cam, tightening fastener and securely fastening panel.

Order No.	For single panel thickness	Clamping force N	d <sub>1</sub> -0.04   - tol. h9 0.08	d <sub>2</sub>	d <sub>3</sub>	d <sub>4</sub>	d <sub>5</sub>	l <sub>1</sub>	h <sub>1</sub>	h <sub>2</sub>	m	Shear strength N	Tensile strength N	Weight g
<b>33944.W1005</b>	6-10	60	5	14	25	25	21	15,5	11,5	6,5	M 2x0,4	1800	1200	35
<b>33944.W1408</b>	6-14	90	8	18	34	34	28	17,0	14,0	10,0	M 3x0,5	3200	2600	80
<b>33944.W2008</b>	12-20	90	8	18	34	34	28	23,0	14,0	10,0	M 3x0,5	3200	2600	85





**33946**



**Material**

Body: steel, nickel plated.  
 Shank: steel, nickel plated.  
 Pin: stainless steel, SUS304.  
 Knob: polyamide, black.  
 Spring: stainless steel.

**Technical Notes**

One-touch fasteners are the ideal solution for applications requiring rapid and recurring change over of tooling or set ups. Use in applications as diverse as bottling processes, machine covers, changing of cogs and drive belts. One-touch fasteners

provide a quick, simple and secure change over solution - no time waste in unfastening screws or other permanent fixings, and no opportunity for lost fixings in your machinery.  
 Temperature resistant to 130°C.

**Important Notes**

One-touch fastener offers full retraction of clamping shank when part is unlocked, this offer's the benefit of enabling panels to be slid into position - especially useful with larger or oversized panels, and enables its use on sliding or linear rail applications to provide positive location

and clamping of parts.

**Actuation:**

- Turn handle to off position, and ensure the shank is fully retracted.
- Place or slide the over in place and position over the locating bush.
- Turn handle to on position for clamping, an audible click is heard when fully clamped.
- To release, turn handle back to off position, the shank is fully retracted into clamp body assisted by the return spring.

Order No.	Single panel thickness	Clamping force N	d <sub>1</sub>	d <sub>2</sub>	d <sub>3</sub>	d <sub>4</sub>	d <sub>5</sub>	d <sub>6</sub>	l <sub>1</sub>	l <sub>2</sub>	h <sub>1</sub>	h <sub>2</sub>	h <sub>3</sub>	Shear strength N	Tensile strength N	Weight g
<b>33946.W1005</b>	6-10	60	5	14	25	25	21	M 2x0,4	15,5	5,5	30	20,0	6,5	1800	1200	40
<b>33946.W1408</b>	6-14	90	8	18	34	34	28	M 3x0,5	17,0	5,5	38	36,5	10,0	3200	400	100

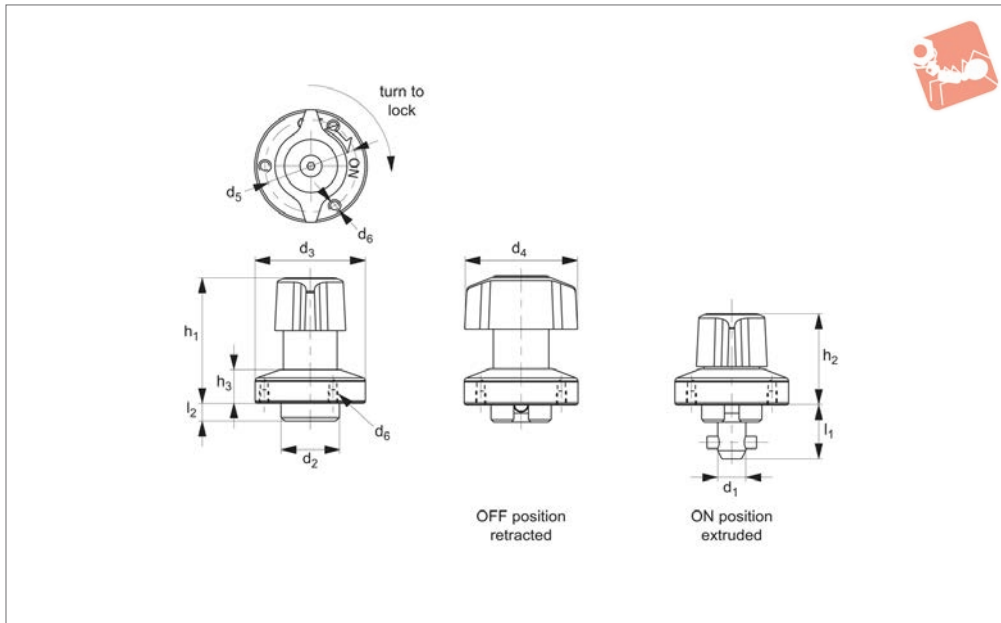




# One-Touch Fastener- Cam Locking - quarter turn - t-handle grip - steel



## One Touch Fasteners



**33947**

ONE TOUCH FASTENERS

### Material

Body: steel, nickel plated.  
Shank: steel, nickel plated.  
Pin: stainless steel, SUS304.  
Knob: stainless steel, SUS304.  
Spring: stainless steel.

### Technical Notes

One-touch fasteners are the ideal solution for applications requiring rapid and recurring change over of tooling or set ups. Use in applications as diverse as bottling processes, machine covers, changing of cogs and drive belts. One-touch fasteners

provide a quick, simple and secure change over solution - no time waste in unfastening screws or other permanent fixings, and no opportunity for lost fixings in your machinery.  
Temperature resistant to 200°C.

### Important Notes

One-touch fastener offers full retraction of clamping shank when part is unlocked, this offer's the benefit of enabling panels to be slid into position - especially useful with larger or oversized panels, and enables its use on sliding or linear rail applications to provide positive location

and clamping of parts.

### Actuation:

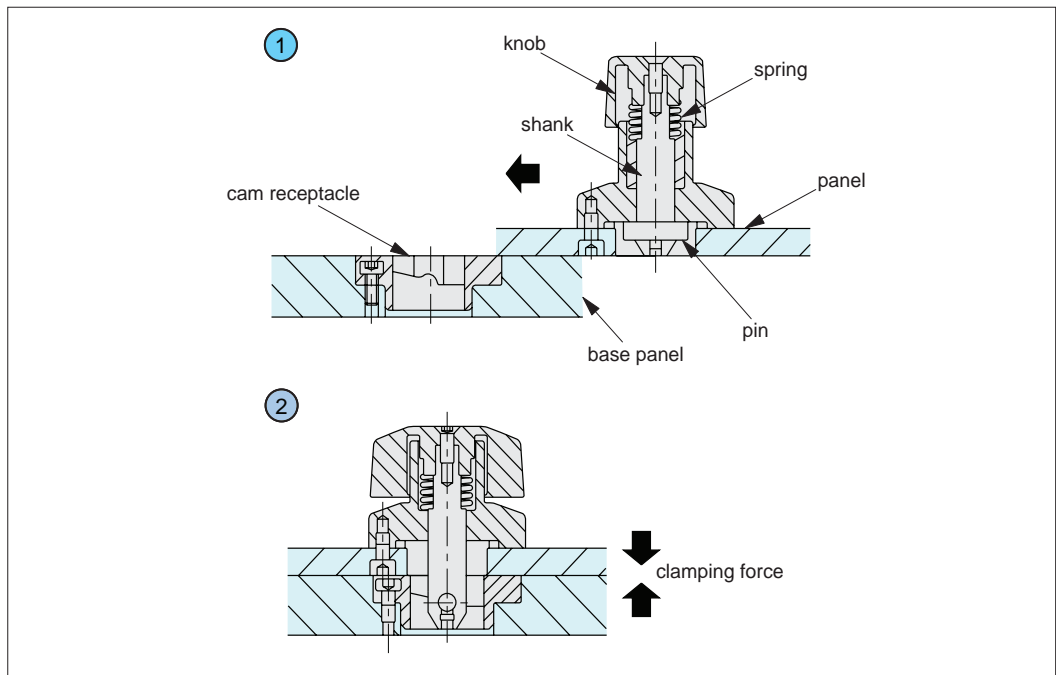
- Turn handle to off position, and ensure the shank is fully retracted.
- Place or slide the over in place and position over the locating bush.
- Turn handle to on position for clamping, an audible click is heard when fully clamped.
- To release, turn handle back to off position, the shank is fully retracted into clamp body assisted by the return spring.

Order No.	Single panel thickness	Clamping force N	d <sub>1</sub>	d <sub>2</sub>	d <sub>3</sub>	d <sub>4</sub>	d <sub>5</sub>	d <sub>6</sub>	l <sub>1</sub>	l <sub>2</sub>	h <sub>1</sub>	h <sub>2</sub>	h <sub>3</sub>	Shear strength N	Tensile strength N	Weight g
<b>33947.W1005</b>	6-10	60	5	14	25	25	21	M2x0,4	15,5	5,5	30	20,0	6,5	1800	1200	40
<b>33947.W1408</b>	6-14	90	8	18	34	34	28	M3x0,5	17,0	5,5	38	26,5	10,0	3200	400	100



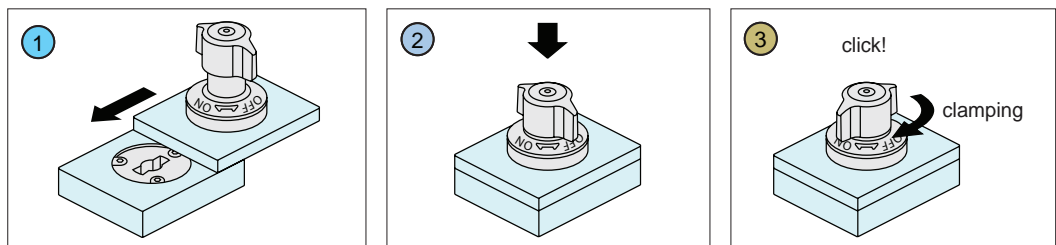
## Operating Principle

- ① The shank retracts at the unclamping position to enable operations without interference with the base panel.
- ② When the pin contacts along the cam surface in the cam receptacle, the spring gets compressed to press down the panel.



## Operating Instructions

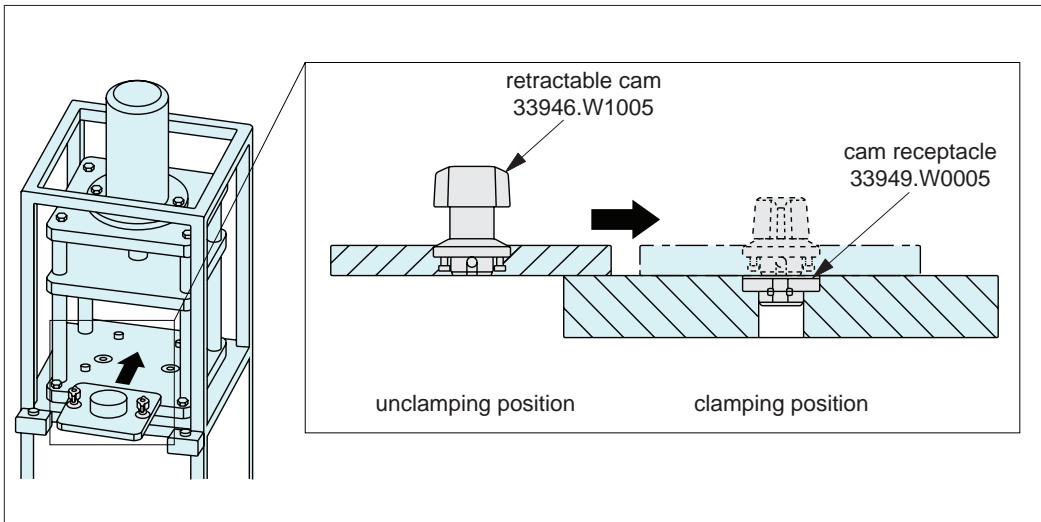
- ① Ensure that the knob is positioned at the "OFF" mark and the pin is retracted.
- ② Locate the cam receptacle directly under the fastener. Insert retracted pin by pressing the knob down.
- ③ Turn the knob to the "ON" mark for clamping. The knob clicks when clamped. Turning the knob to the "OFF" position, the pin returns automatically to the unclamping position.



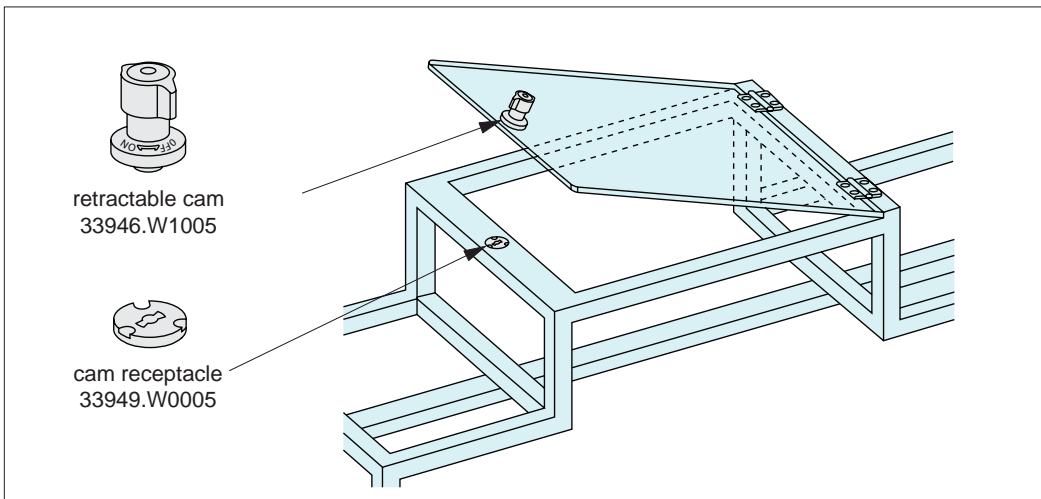


#### Changes of Fixture Plates

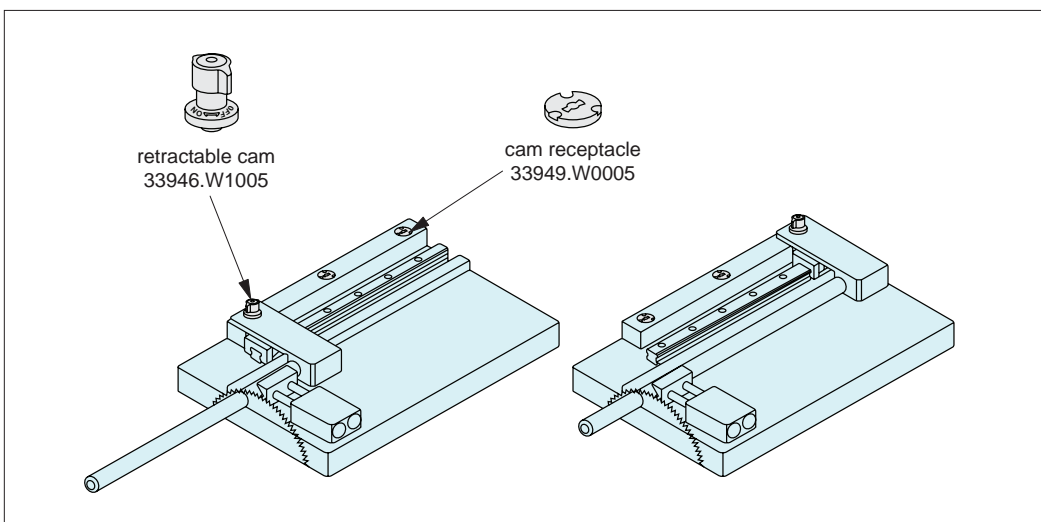
#### Applications



#### Lock for Doors

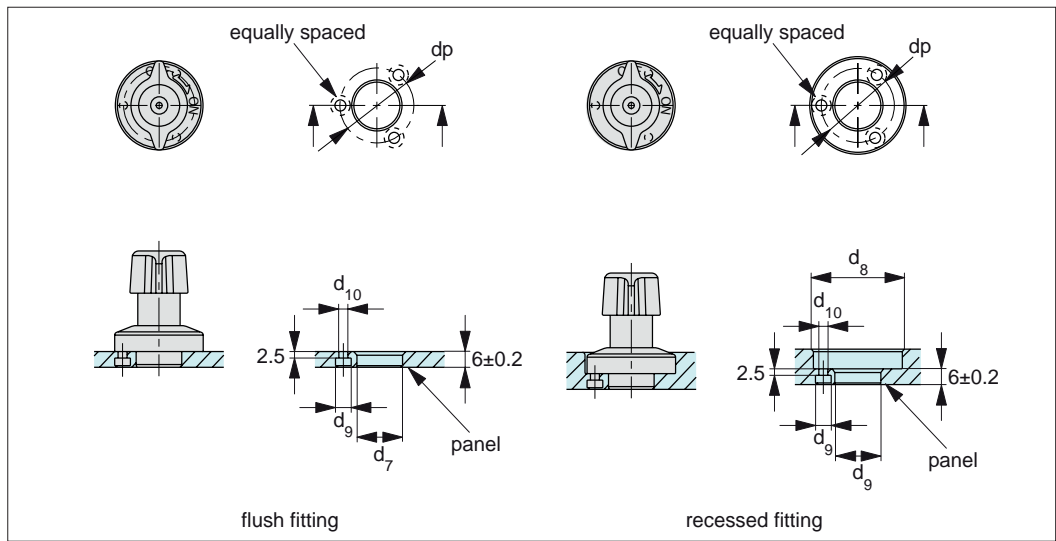


#### Adjustment of Workpiece Guides





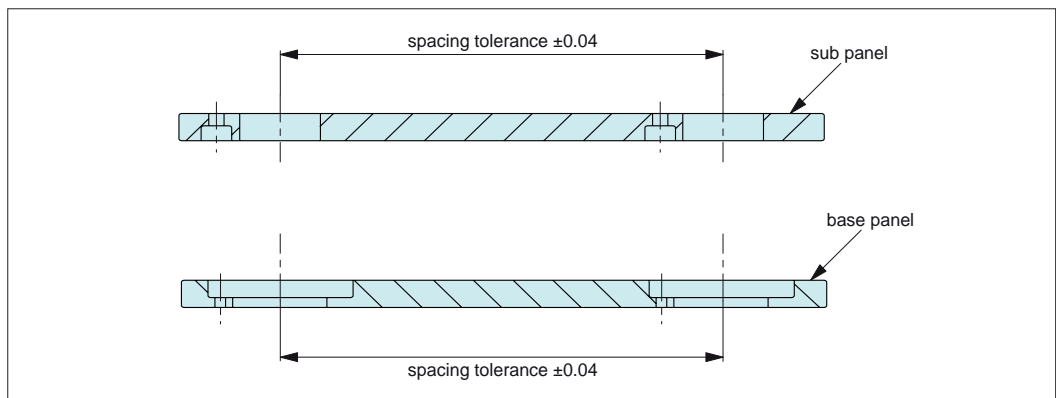
## Installation Dimensions



## Installation Best Practice

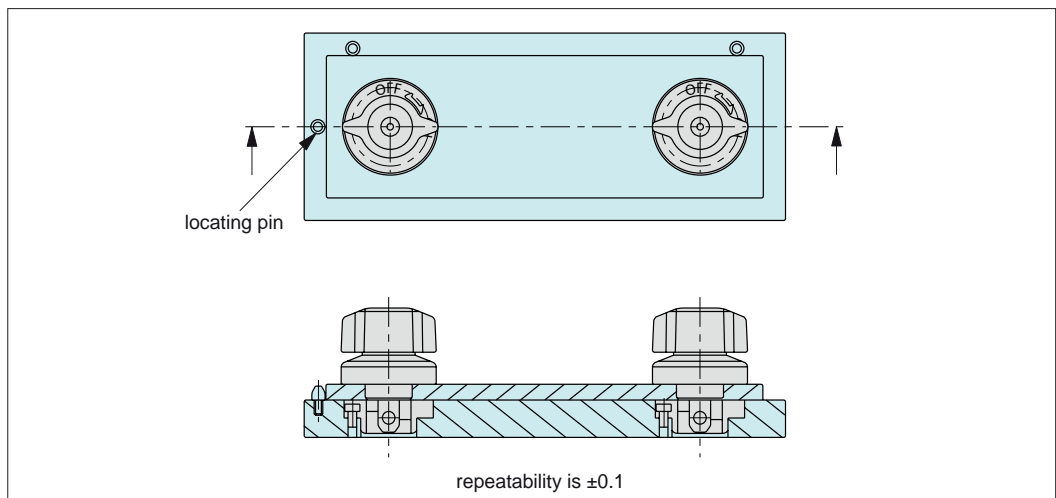
### Machining Accuracy

Spacing tolerance on both the sub panel and the base panel should be  $\pm 0.04$ .



### Repeatability

For highly accurate locating, use locating pins 36340 or 36341. Repeatability of  $\pm 0.1$  is achievable.



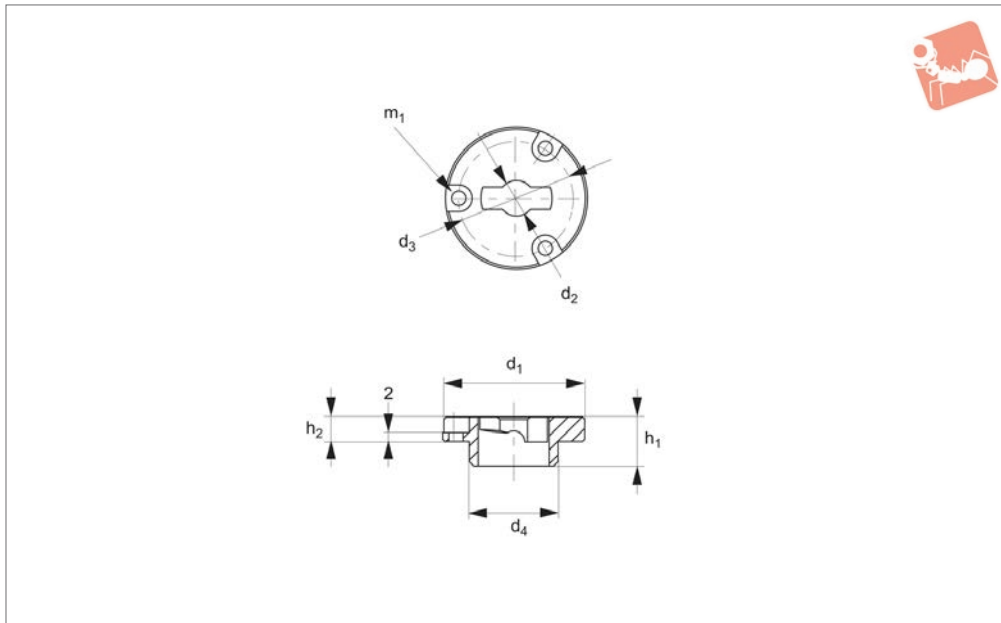


# One-Touch Fastener - Cam Locking

flush fit locating bush for 33940, 33942 and 33944



# One Touch Fasteners



**33949**

ONE TOUCH FASTENERS

### Material

Body: steel, nickel plated or stainless steel.

### Technical Notes

Used in conjunction with one-touch fasteners 33940 to 33946, locating bushes 3394820 provide secure fastening of panels and covers. Locating bushes are of

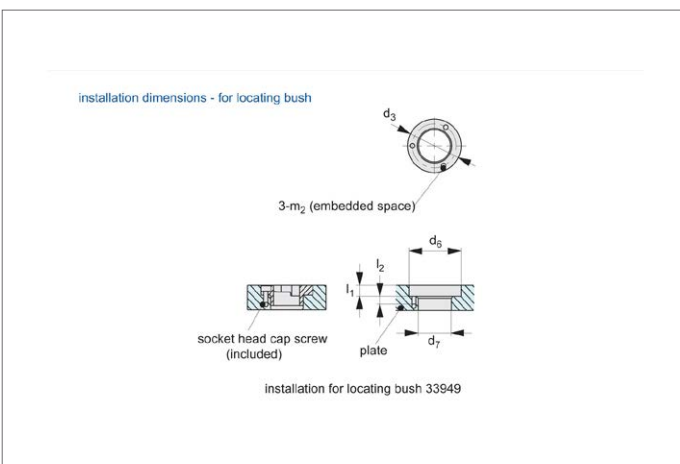
particular use in soft metals, such as aluminium where receiving surfaces may wear. One-touch fasteners are the ideal solution for applications requiring rapid and recurring change over of tooling or set ups. Use in applications as diverse as bottling processes, machine covers, changing of cogs and drive belts.

Temperature resistant to 200°C.

### Important Notes

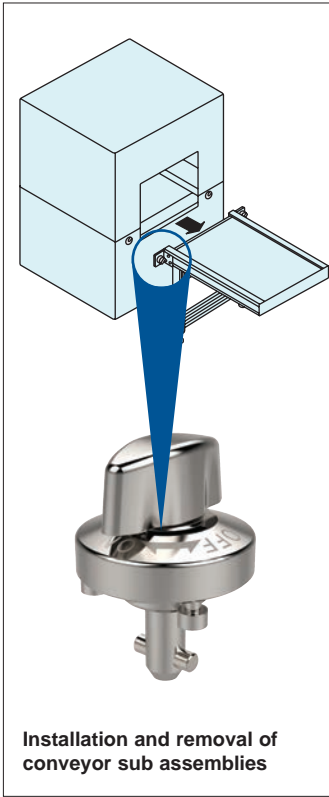
Suitable for panels/enclosures of 6 to 12 mm thickness. For one-touch fasteners see part nos. 33940 to 33946. For installation instructions see technical page.

Order No.	For single panel thickness	Material	d <sub>1</sub>	d <sub>2</sub>	d <sub>3</sub>	d <sub>4</sub> -0.04 - 0.08	d <sub>6</sub>	d <sub>7</sub>	l <sub>1</sub>	l <sub>2</sub>	h <sub>2</sub>	m <sub>1</sub>	m <sub>2</sub>	Weight g
<b>33949.W0005</b>	>10	Steel	25	5	21	14	26	14	5	4	4,5	M 2	M 2x0,4	20
<b>33949.W0008</b>	>12	Steel	32	8	26	20	33	20	6	5	5,5	M 3	M 3x0,5	35
<b>33949.W0105</b>	>10	Stainless Steel	25	5	21	14	26	14	5	4	4,5	M 2	M 2x0,4	20
<b>33949.W0108</b>	>12	Stainless Steel	32	8	26	20	33	20	6	5	5,5	M 3	M 3x0,5	35

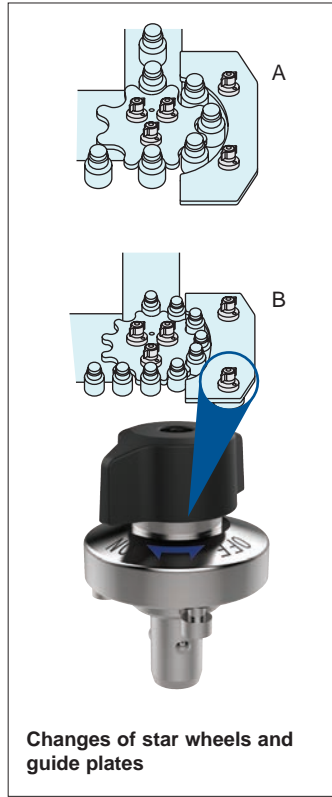




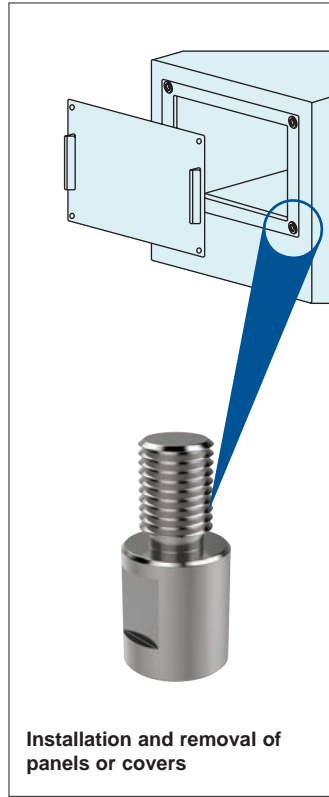
One-Touch Fasteners - Alternatives to Screws



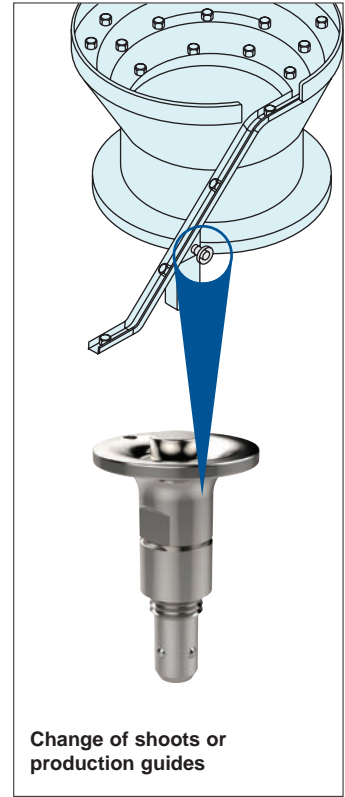
Installation and removal of conveyor sub assemblies



Changes of star wheels and guide plates



Installation and removal of panels or covers



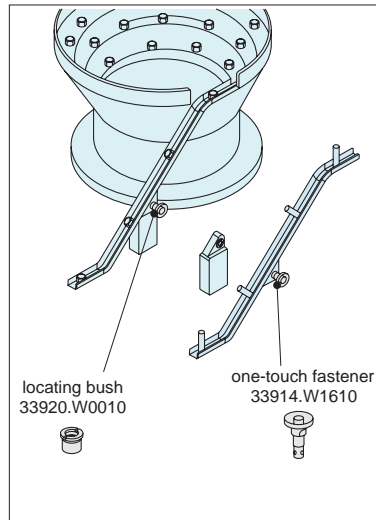
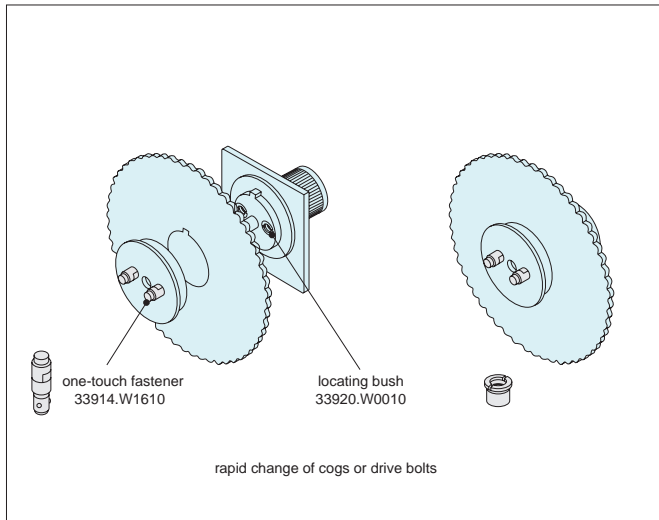
Change of shoots or production guides

Easy & Secure! For Quick Changeover with No Tools!



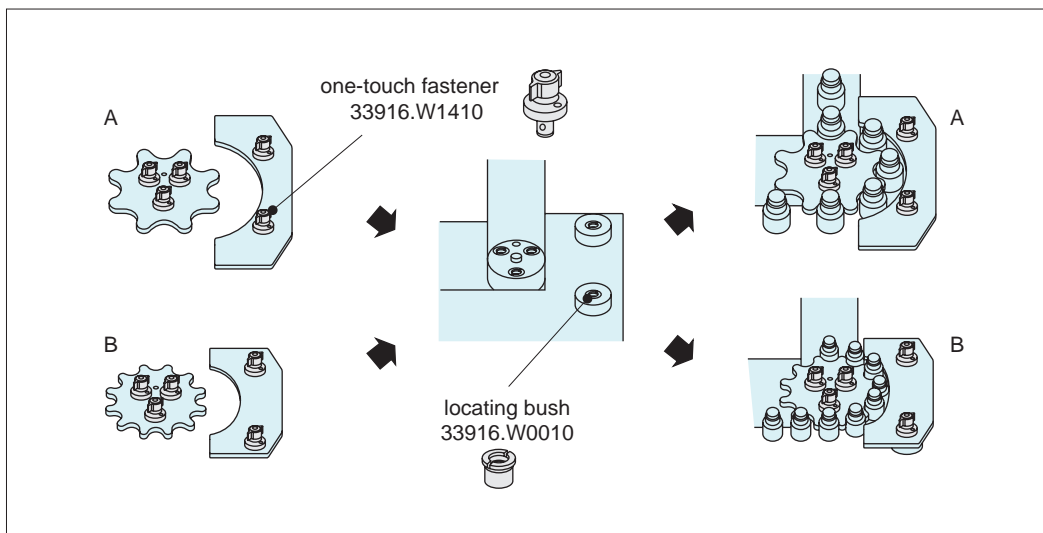


### One-Touch Change Over

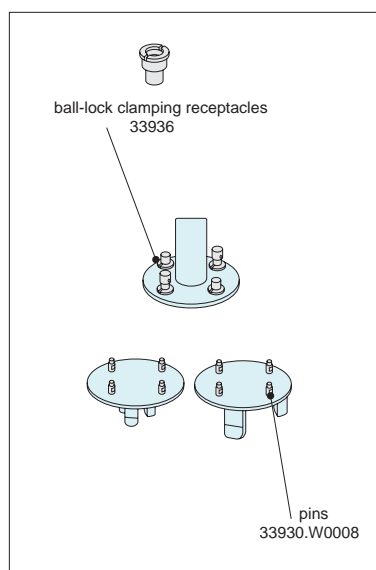
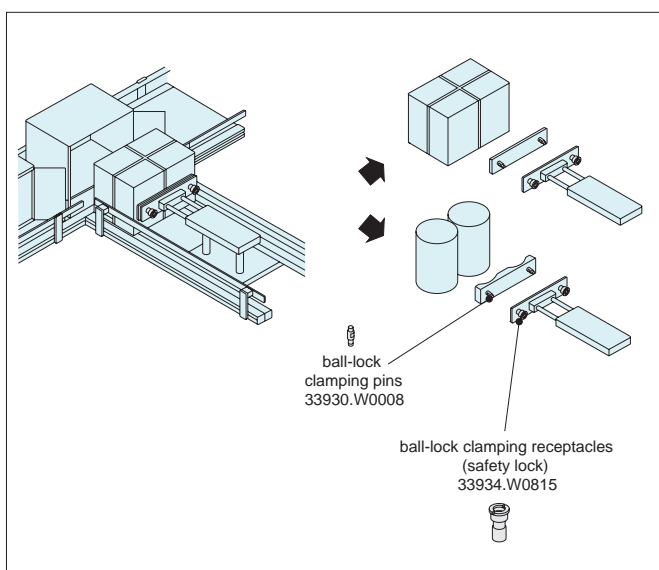


### Installation and Removal of Rotary Blades and Changes of Shooters

ONE TOUCH FASTENERS



### Changes of Star Wheels and Guide Plates



### Changes of Pusher and Changes of Chuck Handling Machines

ov-W33910-A-T-W33956-A-T-one-touch-fasteners-b-rmh - Updated - 27-10-2022