

32440

SPRING PLUNGER & DETENT PINS

Material

Burnished, ground, hardened steel.

Technical Notes

Striker bushings are used together with spring plungers when a contact surface is required with high resistance. In particular

they are recommended for use with spring plungers equipped with high load value and those with increased spring loads.

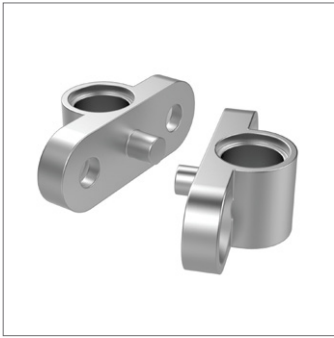
Tips

For dimensions d2 and s, please see corresponding spring plunger. Striker bushes

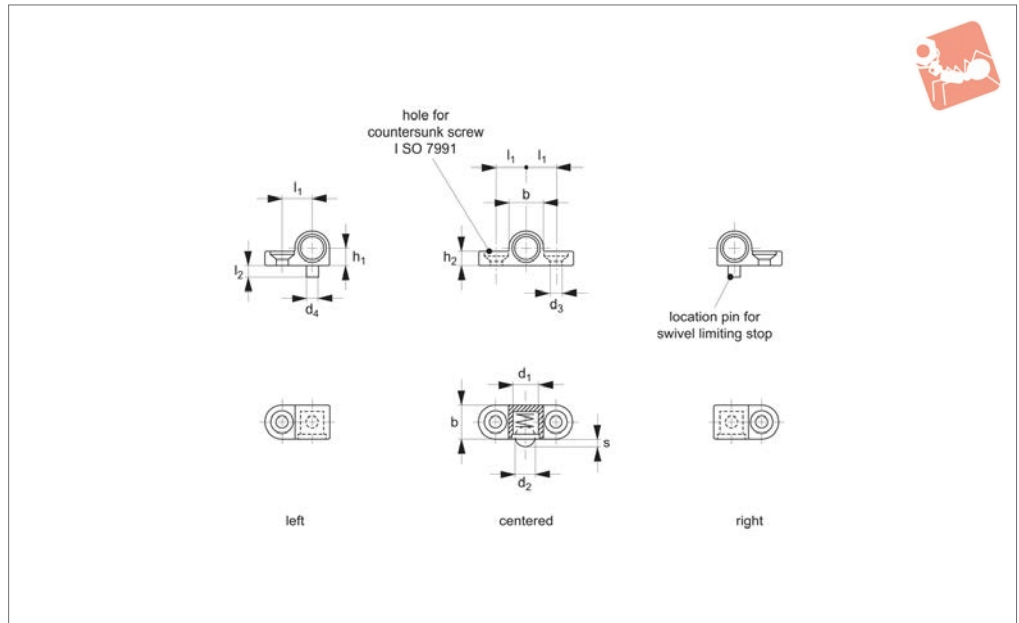
are for use with Wixroyd nos. 31500, 32100, 32150, 32200 & 32300 see stated ,e' values for each type.

Order No.	d ₁ tol. p6	d ₂ & s		d ₃	l ₁ ±0.05	Weight g
32440.W0004	4	See corresponding plunger table		1.5	5	1
32440.W0005	5	See corresponding plunger table		2.0	6	1
32440.W0006	6	See corresponding plunger table		2.0	8	2
32440.W0008	8	See corresponding plunger table		3.0	10	4
32440.W0010	10	See corresponding plunger table		4.0	12	7
32440.W0012	12	See corresponding plunger table		6.0	14	12
32440.W0016	16	See corresponding plunger table		8.0	18	26

Order No.	l ₂	For 32100 e =	For 32150 e =	For 32200 e =	For 32300 e =
32440.W0004	2	M_4 = 0,6	M_4 = 1,1	M_4 = 1,1	-
32440.W0005	2	M_5 = 0,4	M_5 = 1,5	M_5 = 1,8	Ø 4 mm = 0,4
32440.W0006	2	M_6 = 0,6	M_6 = 1,6	M_6 = 2,1	Ø 5 mm = 0,8
32440.W0008	2	M_8 = 0,9	M_8 = 1,3	M_8 = 2,2	Ø 6 mm = 1,1
32440.W0010	3	M10 = 1,2	M10 = 1,4	M10 = 1,8	Ø 8 mm = 1,2
32440.W0012	3	M12 = 1,2	M12 = 1,7	M12 = 2,2	Ø 10 mm = 1,9
32440.W0016	3	M16 = 1,6	M16 = 2,3	M16 = 2,5	Ø 12 mm = 1,9



32450



Material

Die-cast zinc, nickel plated.

available.

32300#26>, their small dimensions make them ideal for confined spaces.

Technical Notes

Left, right and centre mounting options

Tips

Assist in the easy mounting of smooth bodied spring plunger 32300<X\

Order No.	Type	Ball dia. plunger 32300 d_2	Body dia. plunger 32300 d_1 -0.05	d_3 for countersunk screw ISO 7991	d_4 -0.05	b	h_1 ± 0.05	h_2	l_1 ± 0.05	l_2	w -0.1 stroke
32450.W0006	Left	5,0	6	M 3-3,2	3	8,5	4,25	3,2	7,5	3	1,5
32450.W0008	Left	6,5	8	M 4-4,3	4	10,5	5,25	4,2	9,5	4	1,8
32450.W0016	Right	5,0	6	M 3-3,2	3	8,5	4,25	3,2	7,5	3	1,5
32450.W0018	Right	6,5	8	M 4-4,3	4	10,5	5,25	4,2	9,5	4	1,8
32450.W0026	Centered	5,0	6	M 3-3,2	3	8,5	4,25	3,2	7,5	3	1,5
32450.W0028	Centered	6,5	8	M 4-4,3	4	10,5	5,25	4,2	9,5	4	1,8