

37020

THUMB SCREWS

Material

Steel, quality 5.8, blackened. Turned, visible face, good finish.

Technical Notes

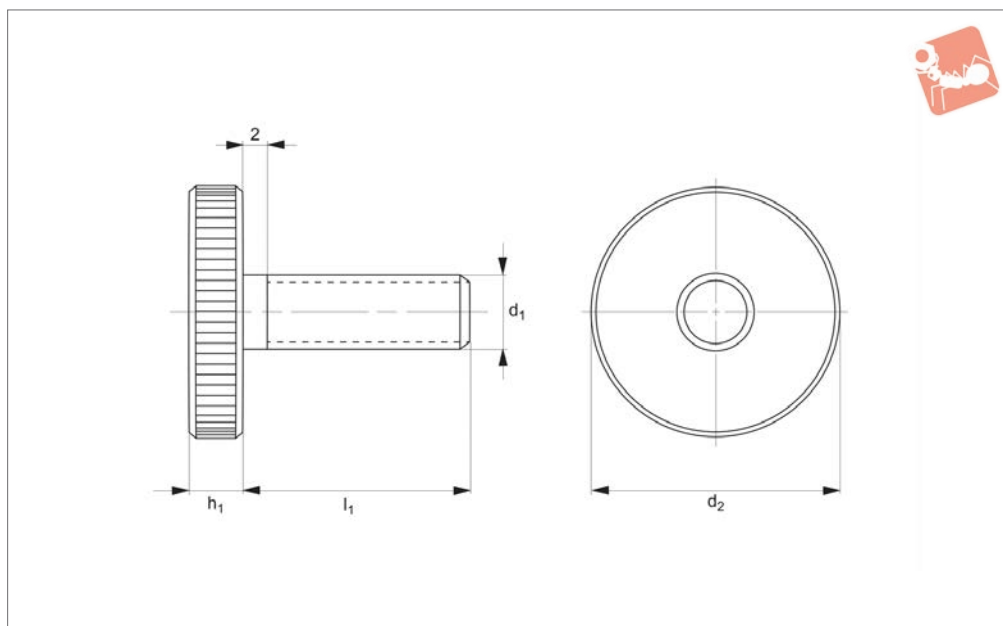
All knurled screws are one-piece manufactured with thread up to the head (DIN-

designation ,A').

Order No.	d ₁	d ₂	h ₁	l ₁	Weight g
37020.W0072	M 3	12	2.5	6	2.3
37020.W0073	M 3	12	2.5	8	2.4
37020.W0074	M 3	12	2.5	10	2.5
37020.W0077	M 3	12	2.5	16	2.7
37020.W0079	M 3	12	2.5	20	2.9
37020.W0092	M 4	16	3.5	8	5.6
37020.W0093	M 4	16	3.5	10	5.7
37020.W0094	M 4	16	3.5	12	6.1
37020.W0096	M 4	16	3.5	16	6.2
37020.W0098	M 4	16	3.5	20	6.6
37020.W0100	M 4	16	3.5	25	7.0
37020.W0112	M 5	20	4.0	10	10.0
37020.W0113	M 5	20	4.0	12	11.0
37020.W0115	M 5	20	4.0	16	12.0
37020.W0117	M 5	20	4.0	20	12.0
37020.W0119	M 5	20	4.0	25	12.0
37020.W0121	M 5	20	4.0	30	13.0
37020.W0132	M 6	24	5.0	12	18.0
37020.W0134	M 6	24	5.0	16	20.0
37020.W0136	M 6	24	5.0	20	20.0
37020.W0138	M 6	24	5.0	25	20.0
37020.W0140	M 6	24	5.0	30	22.0
37020.W0142	M 6	24	5.0	40	23.0
37020.W0152	M 8	30	6.0	16	36.0
37020.W0154	M 8	30	6.0	20	37.0
37020.W0156	M 8	30	6.0	25	39.0
37020.W0158	M 8	30	6.0	30	41.0
37020.W0160	M 8	30	6.0	35	42.0
37020.W0161	M 8	30	6.0	40	44.0
37020.W0172	M10	36	8.0	20	71.0
37020.W0174	M10	36	8.0	25	72.0
37020.W0176	M10	36	8.0	30	76.0
37020.W0180	M10	36	8.0	40	80.0



37040



Material

Stainless steel 1.4305 (AISI 303).

tured with thread up to the head (DIN-designation ,A').

Technical Notes

All knurled screws are one-piece manufac-

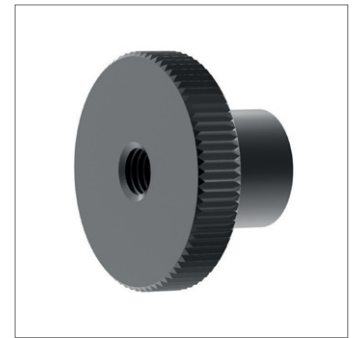
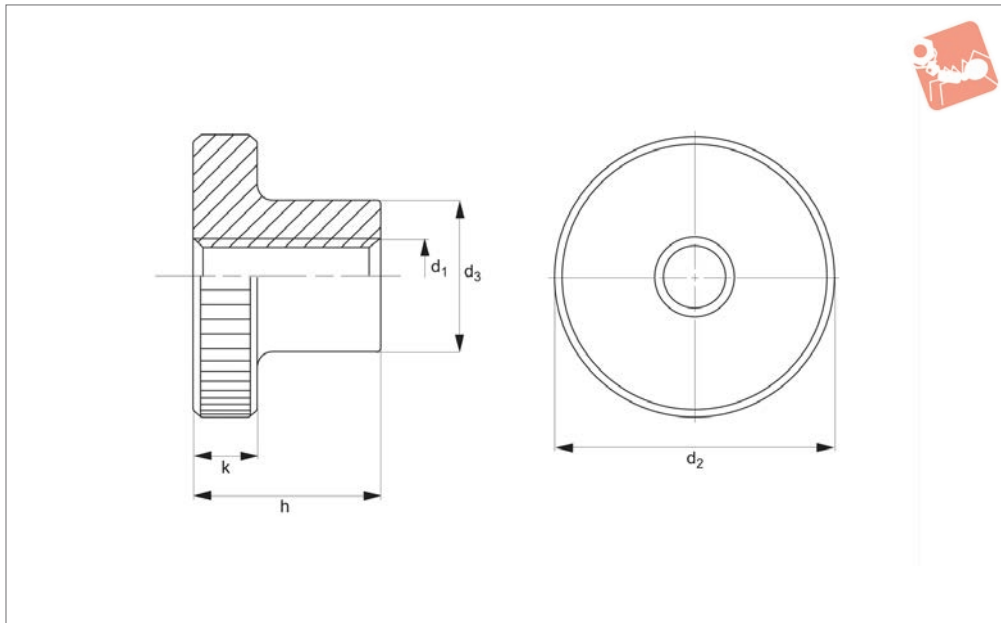
Order No.	d ₁	d ₂	h ₁	l ₁	Weight g
37040.W0092	M 4	16	3.5	8	5.6
37040.W0093	M 4	16	3.5	10	5.7
37040.W0094	M 4	16	3.5	12	6.1
37040.W0096	M 4	16	3.5	16	6.2
37040.W0112	M 5	20	4.0	10	10.0
37040.W0113	M 5	20	4.0	12	11.0
37040.W0115	M 5	20	4.0	16	12.0
37040.W0117	M 5	20	4.0	20	12.0
37040.W0132	M 6	24	5.0	12	18.0
37040.W0134	M 6	24	5.0	16	20.0
37040.W0136	M 6	24	5.0	20	20.0
37040.W0138	M 6	24	5.0	25	20.0
37040.W0152	M 8	30	6.0	16	36.0
37040.W0154	M 8	30	6.0	20	37.0
37040.W0156	M 8	30	6.0	25	39.0
37040.W0158	M 8	30	6.0	30	41.0
37040.W0172	M10	36	8.0	20	71.0
37040.W0174	M10	36	8.0	25	72.0
37040.W0176	M10	36	8.0	30	76.0
37040.W0180	M10	36	8.0	40	80.0



Knurled Nuts with collar - DIN 466



Thumb Screws



37100

THUMB SCREWS

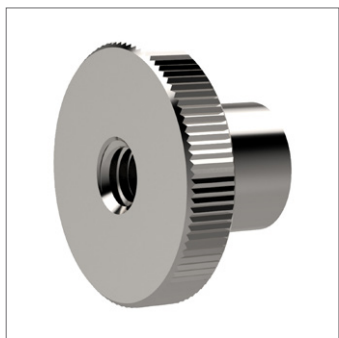
Material

Steel, quality 5, blackened. Turned, visible face, good finish.

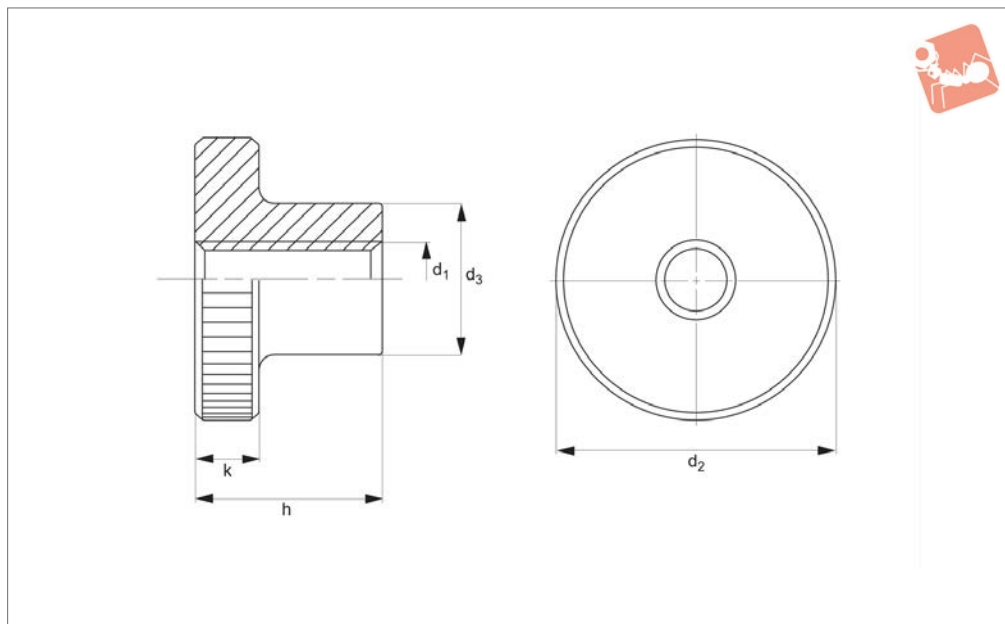
Technical Notes

Size M12 not contained in DIN standard.

Order No.	d ₁	d ₂	d ₃	h	k	Weight g
37100.W0003	M 3	12	6	7.5	2.5	2.9
37100.W0004	M 4	16	8	9.5	3.5	6.7
37100.W0005	M 5	20	10	11.5	4.0	12.0
37100.W0006	M 6	24	12	15.0	5.0	23.0
37100.W0008	M 8	30	16	18.0	6.0	44.0
37100.W0010	M10	36	20	23.0	8.0	85.0
37100.W0012	M12	40	22	25.0	10.0	119.0



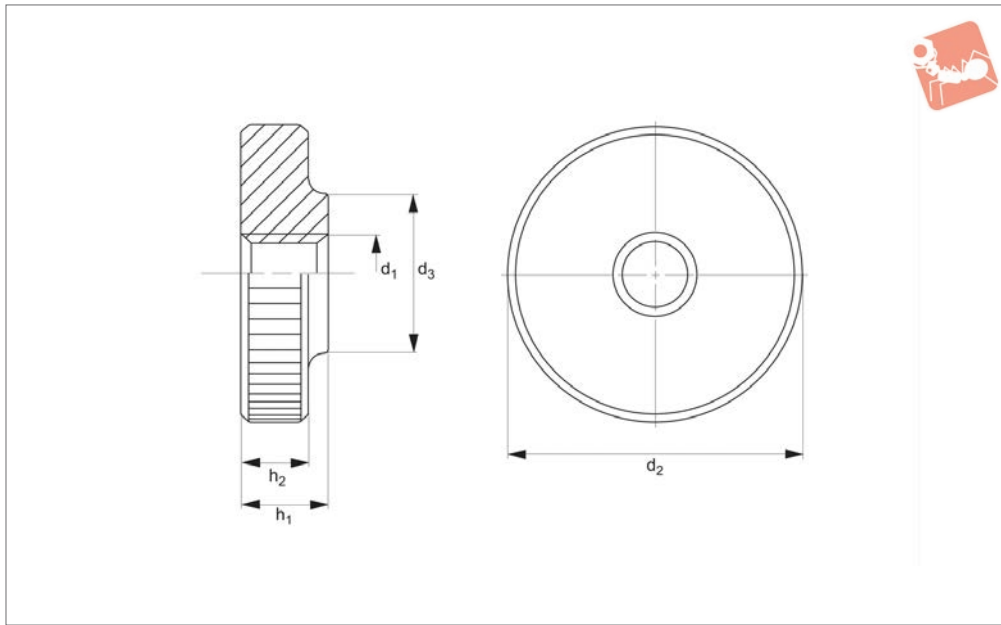
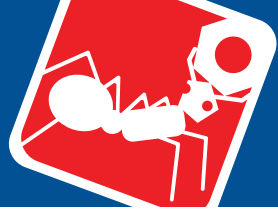
37110



Material

Stainless steel 1.4305 (AISI 303), matte, shot-blasted.

Order No.	d ₁	d ₂	d ₃	h	k	Weight g
37110.W0002	M2,5	11	5	6.5	2.5	3.5
37110.W0003	M 3	12	6	7.5	2.5	3.5
37110.W0004	M 4	16	8	9.5	3.5	6.7
37110.W0005	M 5	20	10	11.5	4.0	12.0
37110.W0006	M 6	24	12	15.0	5.0	23.0
37110.W0008	M 8	30	16	18.0	6.0	44.0
37110.W0010	M10	36	20	23.0	8.0	85.0



37120

THUMB SCREWS

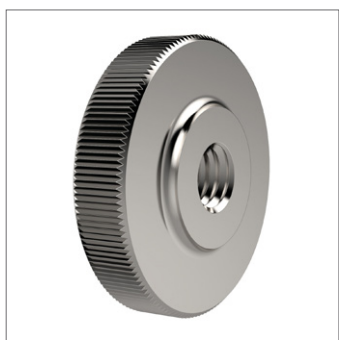
Material

Steel, quality 5, blackened. Turned, visible face, good finish.

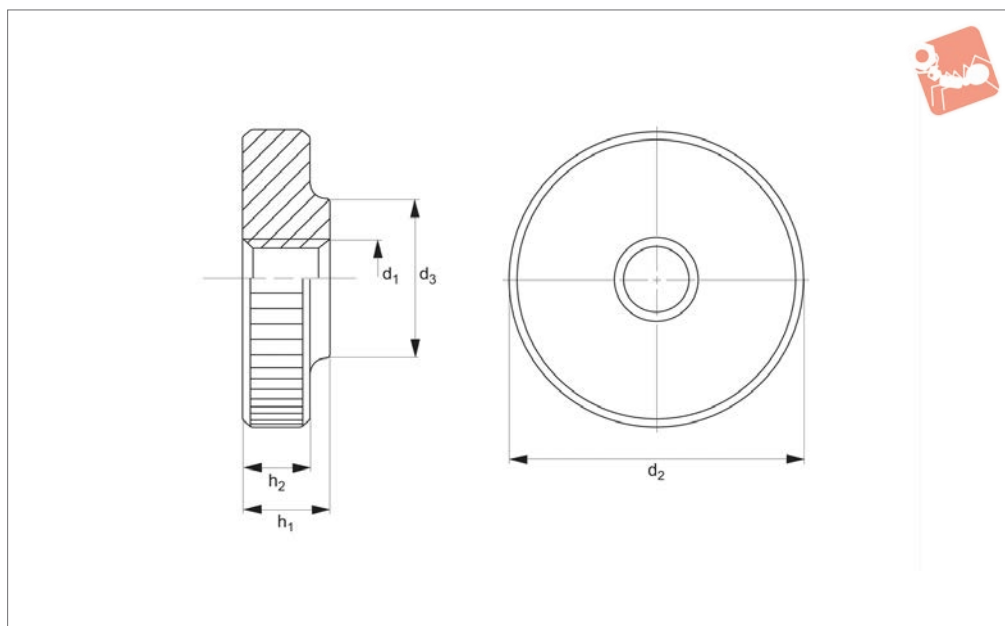
Technical Notes

Size M12 not contained in DIN standard.

Order No.	d ₁	d ₂	d ₃	h ₁	h ₂	Weight g
37120.W0003	M 3	12	6	3	2.5	2.1
37120.W0004	M 4	16	8	4	3.5	5.0
37120.W0005	M 5	20	10	5	4.0	9.4
37120.W0006	M 6	24	12	6	5.0	17.0
37120.W0008	M 8	30	16	8	6.0	32.0
37120.W0010	M10	36	20	10	8.0	61.0
37120.W0012	M12	40	22	12	10.0	92.0



37130



Material

Stainless steel 1,4305 (AISI 303), dull blasted.

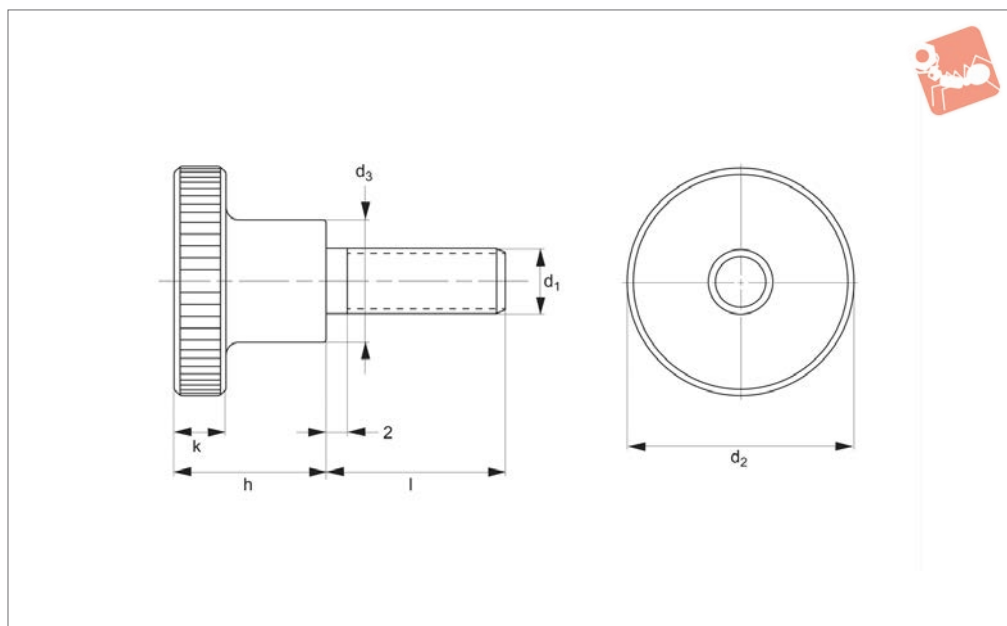
Order No.	d ₁	d ₂	d ₃	h ₁	h ₂	Weight g
37130.W0003	M 3	12	6	3	2.5	2.1
37130.W0004	M 4	16	8	4	3.5	5.0
37130.W0005	M 5	20	10	5	4.0	9.4
37130.W0006	M 6	24	12	6	5.0	17.0
37130.W0008	M 8	30	16	8	6.0	32.0
37130.W0010	M10	36	20	10	8.0	61.0



Knurled Thumb Screws

DIN 464

Thumb Screws



37140

THUMB SCREWS

Material

Steel, quality 5.8, blackened. Turned, visible face, good finish.

Contra-ry to the Official Standard Sheet, they all have a thread up to the head, as shown, but no recess at the thread end.

Technical Notes

All knurled screws are one-piece manufac-

Order No.	d ₁	d ₂	d ₃	h	k	l	Weight g
37140.W0031	M 3	12	6	7.5	2.5	6	3.7
37140.W0032	M 3	12	6	7.5	2.5	10	3.8
37140.W0033	M 3	12	6	7.5	2.5	12	4.0
37140.W0034	M 3	12	6	7.5	2.5	16	4.0
37140.W0040	M 4	16	8	9.5	3.5	5	7.7
37140.W0041	M 4	16	8	9.5	3.5	8	7.9
37140.W0042	M 4	16	8	9.5	3.5	10	8.1
37140.W0043	M 4	16	8	9.5	3.5	12	8.3
37140.W0044	M 4	16	8	9.5	3.5	16	8.4
37140.W0045	M 4	16	8	9.5	3.5	20	9.1
37140.W0046	M 4	16	8	9.5	3.5	25	9.0
37140.W0051	M 5	20	10	11.5	4.0	6	14.0
37140.W0052	M 5	20	10	11.5	4.0	8	15.0
37140.W0053	M 5	20	10	11.5	4.0	10	15.0
37140.W0054	M 5	20	10	11.5	4.0	12	15.0
37140.W0055	M 5	20	10	11.5	4.0	16	16.0
37140.W0056	M 5	20	10	11.5	4.0	20	16.0
37140.W0057	M 5	20	10	11.5	4.0	25	17.0
37140.W0058	M 5	20	10	11.5	4.0	30	17.0
37140.W0061	M 6	24	12	15.0	5.0	8	28.0
37140.W0062	M 6	24	12	15.0	5.0	10	27.0
37140.W0063	M 6	24	12	15.0	5.0	12	28.0
37140.W0064	M 6	24	12	15.0	5.0	16	28.0
37140.W0065	M 6	24	12	15.0	5.0	20	29.0
37140.W0066	M 6	24	12	15.0	5.0	25	30.0
37140.W0067	M 6	24	12	15.0	5.0	30	31.0
37140.W0068	M 6	24	12	15.0	5.0	35	31.0
37140.W0081	M 8	30	16	18.0	6.0	12	53.0
37140.W0082	M 8	30	16	18.0	6.0	16	55.0
37140.W0083	M 8	30	16	18.0	6.0	20	56.0
37140.W0084	M 8	30	16	18.0	6.0	25	58.0
37140.W0085	M 8	30	16	18.0	6.0	30	60.0



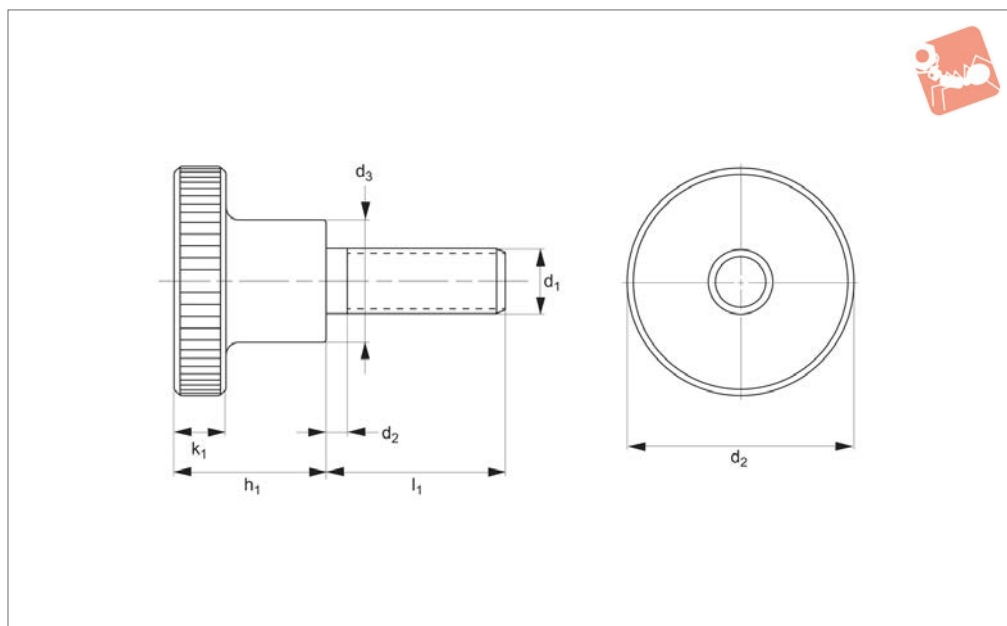
Order No.	d ₁	d ₂	d ₃	h	k	l	Weight g
37140.W0086	M 8	30	16	18.0	6.0	35	50.0
37140.W0087	M 8	30	16	18.0	6.0	40	61.0
37140.W0101	M10	36	20	23.0	8.0	20	106.0
37140.W0102	M10	36	20	23.0	8.0	25	109.0
37140.W0103	M10	36	20	23.0	8.0	30	112.0
37140.W0104	M10	36	20	23.0	8.0	35	116.0
37140.W0105	M10	36	20	23.0	8.0	40	116.0



Knurled Thumb Screws

stainless steel - DIN 464

Thumb Screws



37150

THUMB SCREWS

Material

Stainless steel 1.4305 (AISI 303), matte, shot-blasted.

Conary to the Official Standard Sheet, they all have a thread up to the head, as shown, but no recess at the thread end.

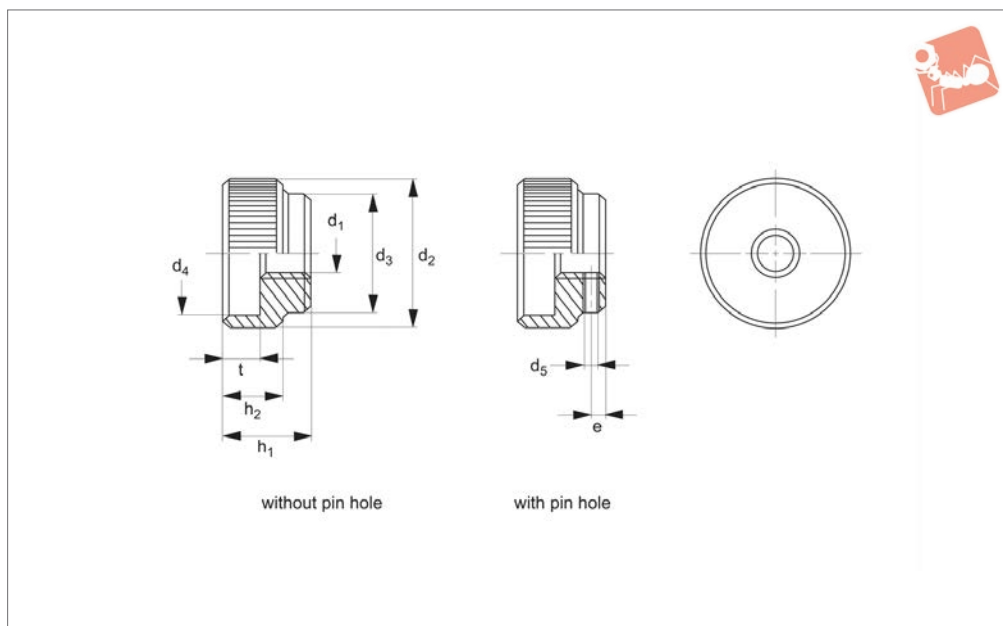
Technical Notes

All knurled screws are one-piece manufac-

Order No.	d ₁	d ₂	d ₃	h ₁	k ₁	l ₁	Weight g
37150.W0031	M 3	12	6	7.5	2.5	6	3.7
37150.W0032	M 3	12	6	7.5	2.5	10	3.8
37150.W0033	M 3	12	6	7.5	2.5	12	4.0
37150.W0034	M 3	12	6	7.5	2.5	16	4.0
37150.W0041	M 4	16	8	9.5	3.5	8	7.9
37150.W0042	M 4	16	8	9.5	3.5	10	8.1
37150.W0043	M 4	16	8	9.5	3.5	12	8.3
37150.W0044	M 4	16	8	9.5	3.5	16	8.4
37150.W0045	M 4	16	8	9.5	3.5	20	9.1
37150.W0046	M 4	16	8	9.5	3.5	25	9.0
37150.W0051	M 5	20	10	11.5	4.0	10	15.0
37150.W0052	M 5	20	10	11.5	4.0	12	15.0
37150.W0053	M 5	20	10	11.5	4.0	16	16.0
37150.W0054	M 5	20	10	11.5	4.0	20	16.0
37150.W0055	M 5	20	10	11.5	4.0	25	17.0
37150.W0058	M 5	20	10	11.5	4.0	30	17.0
37150.W0061	M 6	24	12	15.0	5.0	12	28.0
37150.W0062	M 6	24	12	15.0	5.0	16	28.0
37150.W0063	M 6	24	12	15.0	5.0	20	29.0
37150.W0064	M 6	24	12	15.0	5.0	25	30.0
37150.W0065	M 6	24	12	15.0	5.0	30	31.0
37150.W0068	M 6	24	12	15.0	5.0	35	31.0
37150.W0081	M 8	30	16	18.0	6.0	16	55.0
37150.W0082	M 8	30	16	18.0	6.0	20	56.0
37150.W0083	M 8	30	16	18.0	6.0	25	58.0
37150.W0084	M 8	30	16	18.0	6.0	30	60.0
37150.W0086	M 8	30	16	18.0	6.0	35	50.0



37160



Material

Free-cutting steel, blackened.

Technical Notes

Tolerance of pin hole d_5 is H7.

Order No.	Type	d_1	d_2	d_3	d_4	d_5 pre-drilled	e	h_1	h_2	t	Pin required DIN 7	Weight g
37160.W0005	Without Pin Hole	M 5	20	14	15	-	-	12	8	5	-	16
37160.W0006	Without Pin Hole	M 6	24	16	18	-	-	14	10	6	-	27
37160.W0008	Without Pin Hole	M 8	30	20	24	-	-	17	12	7	-	46
37160.W0010	Without Pin Hole	M10	36	28	30	-	-	20	14	8	-	82
37160.W0012	Without Pin Hole	M12	40	32	34	-	-	24	16	10	-	123
37160.W0105	With Pin Hole	M 5	20	14	15	1.4	2.5	12	8	5	1,5 M 6x14	15
37160.W0106	With Pin Hole	M 6	24	16	18	1.4	2.5	14	10	6	1,5 M 6x16	25
37160.W0108	With Pin Hole	M 8	30	20	24	1.9	3.0	17	12	7	2,0 M 6x20	45
37160.W0110	With Pin Hole	M10	36	28	30	2.9	4.0	20	14	8	3,0 M 6x28	86
37160.W0112	With Pin Hole	M12	40	32	34	3.9	4.0	24	16	10	4,0 M 6x32	121

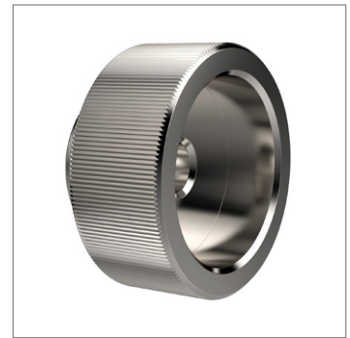
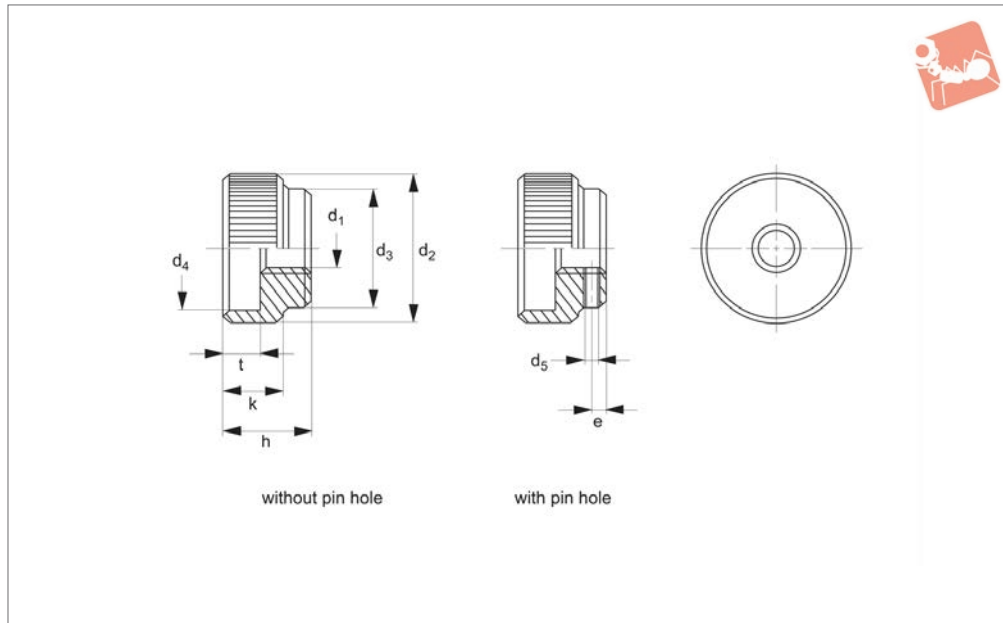


Knurled Nuts

stainless steel - DIN 6303



Thumb Screws



37170

THUMB SCREWS

Material

Stainless steel 1.4305 (AISI 303), matte, shot-blasted.

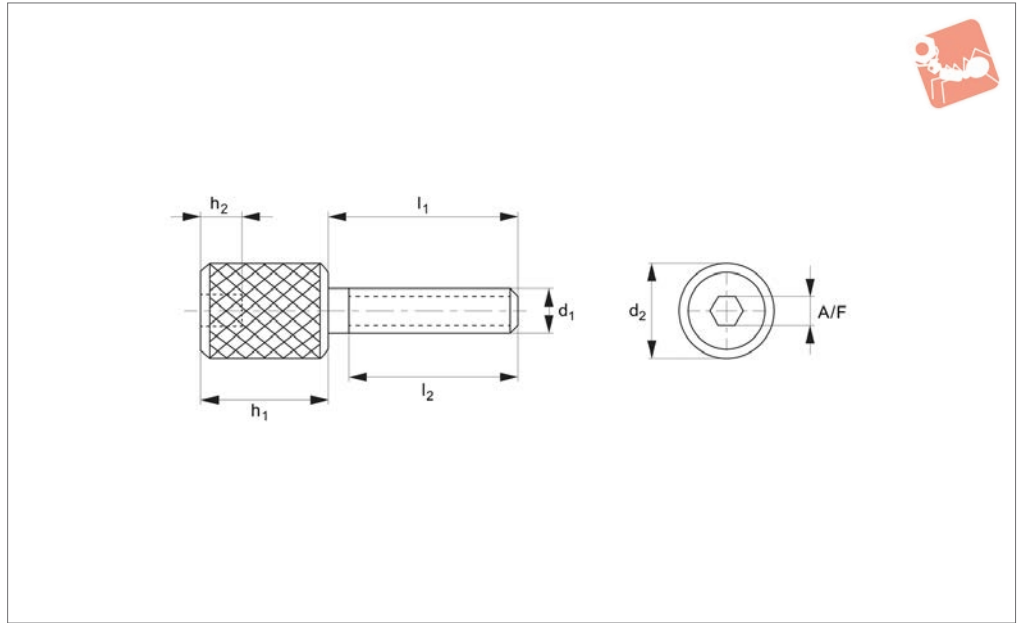
Technical Notes

Tolerance of pin hole d_5 is H7.

Order No.	Type	d_1	d_2	d_3	d_4	d_5 pre-drilled	e	h	k	t	Pin required DIN 7	Weight g
37170.W0005	Without Pin Hole	M 5	20	14	15	-	-	12	8	5	-	16
37170.W0006	Without Pin Hole	M 6	24	16	18	-	-	14	10	6	-	27
37170.W0008	Without Pin Hole	M 8	30	20	24	-	-	17	12	7	-	46
37170.W0010	Without Pin Hole	M10	36	28	30	-	-	20	14	8	-	82
37170.W0012	Without Pin Hole	M12	40	32	34	-	-	24	16	10	-	123
37170.W0105	With Pin Hole	M 5	20	14	15	1.4	2.5	12	8	5	1,5 M 6x14	15
37170.W0106	With Pin Hole	M 6	24	16	18	1.4	2.5	14	10	6	1,5 M 6x16	25
37170.W0108	With Pin Hole	M 8	30	20	24	1.9	3.0	17	12	7	2,0 M 6x20	45
37170.W0110	With Pin Hole	M10	36	28	30	2.9	4.0	20	14	8	3,0 M 6x28	86
37170.W0112	With Pin Hole	M12	40	32	34	3.9	4.0	24	16	10	4,0 M 6x32	121



37200



Material

Stainless steel (AISI 303, 1.4305).
Tensile strength 550 N/mm².
Proof stress min. 190 N/mm², austenitic

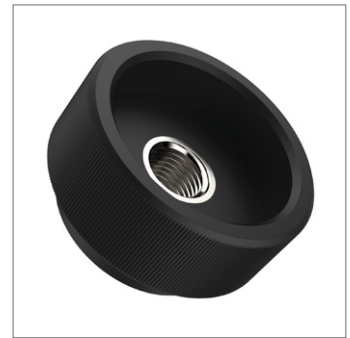
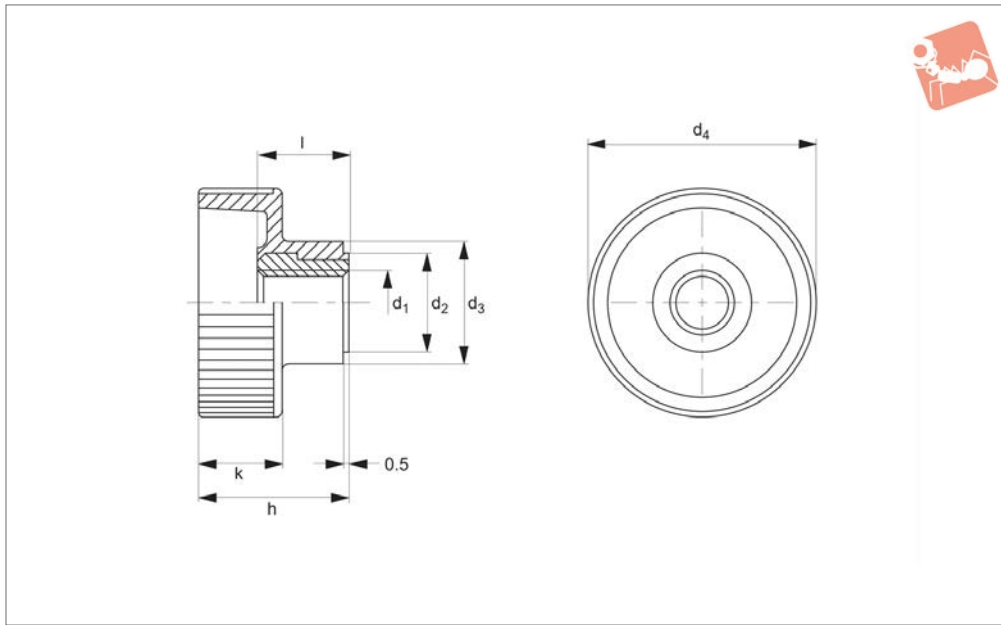
stainless steel.

Technical Notes

Stainless steel 303 series is a hard stain-

less steel which may (in harsh conditions) exhibit slight signs of rusting. Typically used in food and pharmaceutical applications.

Order No.	d ₁	l ₁	d ₂	l ₂	h ₁	h ₂ min.	A/F
37200.W0001	M 3	12	6	11	12	2	2
37200.W0002	M 3	20	6	16	12	2	2
37200.W0003	M 3	12	8	11	12	2	2
37200.W0004	M 3	20	8	16	12	2	2
37200.W0005	M 3	10	10	8	12	3	3
37200.W0006	M 3	12	10	11	12	3	3
37200.W0015	M 4	12	6	11	12	2	2
37200.W0016	M 4	20	6	16	12	2	2
37200.W0017	M 4	25	6	20	12	2	2
37200.W0018	M 4	12	8	11	12	2	2
37200.W0019	M 4	20	8	16	12	2	2
37200.W0020	M 4	25	8	20	12	2	2
37200.W0021	M 4	10	10	8	12	3	3
37200.W0022	M 4	14	10	12	12	3	3
37200.W0023	M 5	12	8	11	12	2	2
37200.W0024	M 5	20	8	16	12	2	2
37200.W0025	M 5	25	8	20	12	2	2
37200.W0026	M 5	32	8	25	12	2	2
37200.W0027	M 5	12	10	11	12	3	3
37200.W0028	M 5	20	10	16	12	3	3
37200.W0029	M 5	25	10	20	12	3	3
37200.W0030	M 5	32	10	25	12	3	3



37330

THUMB SCREWS

Material

Body: thermoplastic (PA), black. Insert: steel, galvanised or stainless steel 1.4305

(AISI 303).

80°C.

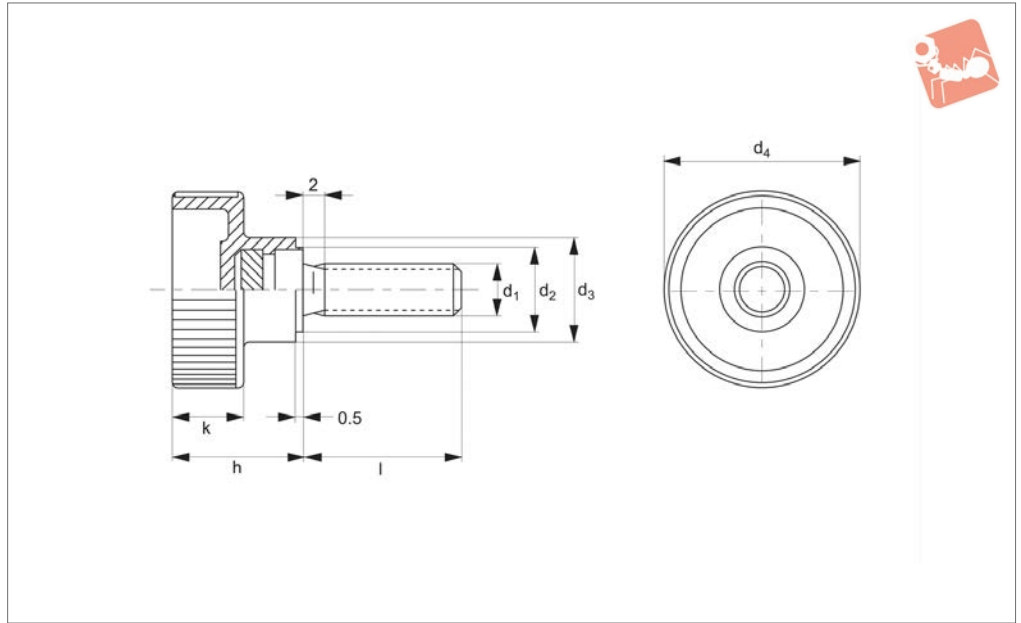
Technical Notes

Temperature resistant from -30°C to +

Order No.	Type	d ₁	d ₂	d ₃	d ₄	h	k	l	Weight g
37330.W0004	Steel Insert	M 4	9	12	19	14.0	8.0	9.0	4.5
37330.W0005	Steel Insert	M 5	9	12	19	14.0	8.0	9.0	4.0
37330.W0006	Steel Insert	M 6	12	14	24	16.5	9.5	10.5	7.0
37330.W0008	Steel Insert	M 8	14	16	30	19.5	11.0	11.5	10.0
37330.W0010	Steel Insert	M10	16	18	36	22.5	12.5	14.0	15.0
37330.W0505	Stainless Insert	M 5	9	12	19	14.0	8.0	9.0	4.0
37330.W0506	Stainless Insert	M 6	12	14	24	16.5	9.5	10.5	7.0
37330.W0508	Stainless Insert	M 8	14	16	30	19.5	11.0	11.5	10.0



37352



THUMB SCREWS

Material

Handle: thermoplastic PA, black.
Screw: steel, galvanised

Technical Notes

Temperature range from -30°C up to +80°C.

Order No.	d ₁	d ₂	d ₃	d ₄	h	k	l	Weight g
37352.W0030	M 4	9	12	19	14.0	8.0	10	4.0
37352.W0032	M 4	9	12	19	14.0	8.0	15	6.0
37352.W0034	M 4	9	12	19	14.0	8.0	20	7.0
37352.W0036	M 4	9	12	19	14.0	8.0	30	7.0
37352.W0042	M 5	9	12	19	14.0	8.0	10	6.0
37352.W0043	M 5	9	12	19	14.0	8.0	15	5.0
37352.W0045	M 5	9	12	19	14.0	8.0	20	7.0
37352.W0046	M 5	9	12	19	14.0	8.0	25	8.0
37352.W0050	M 6	12	14	24	16.5	9.5	10	7.0
37352.W0053	M 6	12	14	24	16.5	9.5	16	8.0
37352.W0054	M 6	12	14	24	16.5	9.5	20	12.0
37352.W0055	M 6	12	14	24	16.5	9.5	25	9.0
37352.W0057	M 6	12	14	24	16.5	9.5	30	13.0
37352.W0060	M 8	14	16	30	19.5	11.0	16	14.0
37352.W0062	M 8	14	16	30	19.5	11.0	20	16.0
37352.W0064	M 8	14	16	30	19.5	11.0	25	17.0
37352.W0065	M 8	14	16	30	19.5	11.0	30	23.0
37352.W0067	M 8	14	16	30	19.5	11.0	40	20.0
37352.W0070	M10	16	18	36	22.5	12.5	20	30.0
37352.W0072	M10	16	18	36	22.5	12.5	25	31.0
37352.W0074	M10	16	18	36	22.5	12.5	30	33.0
37352.W0076	M10	16	18	36	22.5	12.5	40	38.0

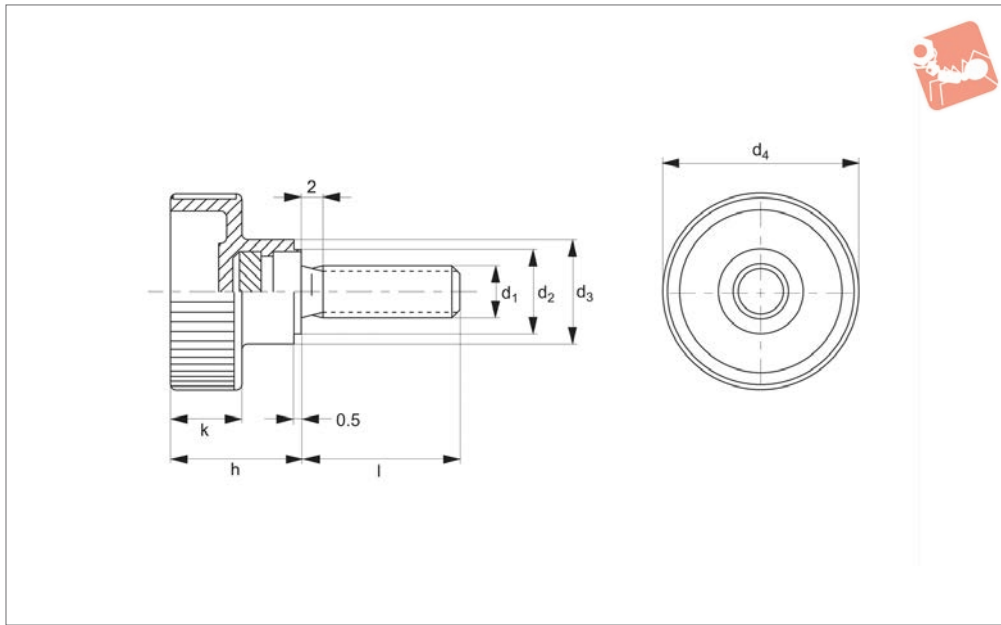


Knurled Thumb Screws

plastic - stainless steel grub screw



Thumb Screws



37354

THUMB SCREWS

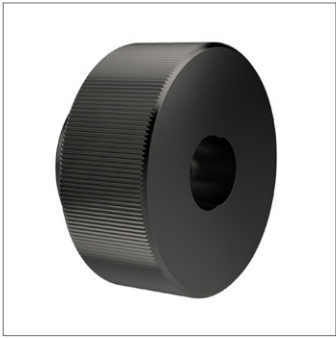
Material

Handle: thermoplastic PA, black.
Screw: stainless steel 1.4567. (AISI 304)

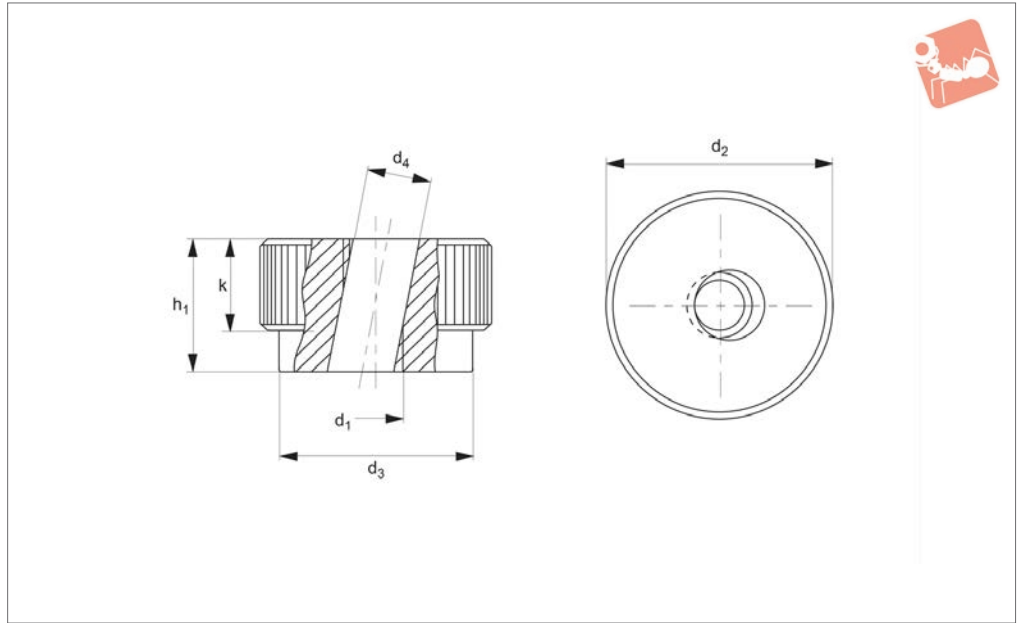
Technical Notes

Temperature range from -30°C up to +80°C.

Order No.	d ₁	d ₂	d ₃	d ₄	h	k	l	Weight g
37354.W0242	M 5	9	12	19	14.0	8.0	10	4.3
37354.W0243	M 5	9	12	19	14.0	8.0	15	5.0
37354.W0245	M 5	9	12	19	14.0	8.0	20	5.5
37354.W0246	M 5	9	12	19	14.0	8.0	25	6.0
37354.W0250	M 6	12	14	24	16.5	9.5	10	7.0
37354.W0253	M 6	12	14	24	16.5	9.5	16	8.0
37354.W0254	M 6	12	14	24	16.5	9.5	20	9.0
37354.W0255	M 6	12	14	24	16.5	9.5	25	9.0
37354.W0257	M 6	12	14	24	16.5	9.5	30	10.0
37354.W0262	M 8	14	16	30	19.5	11.0	20	16.0
37354.W0264	M 8	14	16	30	19.5	11.0	25	17.0
37354.W0265	M 8	14	16	30	19.5	11.0	30	19.0
37354.W0267	M 8	14	16	30	19.5	11.0	40	20.0
37354.W0270	M10	16	18	36	22.5	12.5	20	30.0
37354.W0272	M10	16	18	36	22.5	12.5	25	31.0
37354.W0274	M10	16	18	36	22.5	12.5	30	33.0
37354.W0278	M 10	16	18	36	22.5	12.5	45	43.0
37354.W0280	M 10	16	18	36	22.5	12.5	55	48.0



37360



Material

Turned and burnished steel, blackened.
Tensile strength class 5.

Technical Notes

These knurled knobs are used when quick

tightening is required and with only a slight clamping force. The knob is inserted obliquely on the threaded stud and then placed in the axial position so that it fits onto the stud threads. At this point it can

be locked with just a slight rotation.

Order No.	d ₁	d ₂	d ₃	d ₄	h ₁	k	Weight g
37360.W0006	M_6	24	16	6.7	14	10	35
37360.W0008	M_8	30	20	8.7	17	12	70
37360.W0010	M10	36	28	11.0	20	14	120
37360.W0012	M12	40	32	13	24	16	145



Wide Selection of Thumb Screws, Knurled Screws & Wing Nuts



Positioning Elements

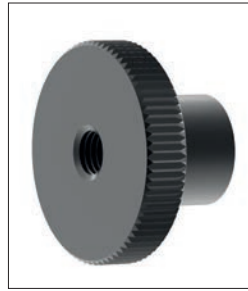
THUMB SCREWS



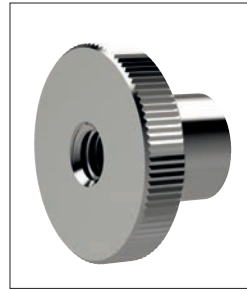
37020 - Steel flat knurled screw



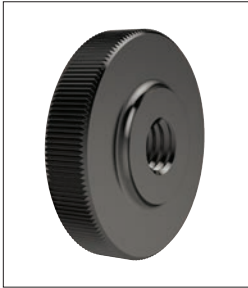
37040 - Stainless steel flat knurled screw



37100 - Steel knurled nut with collar



37110 - Stainless steel knurled nut with collar



37120 - Steel flat knurled nut



37130 - Stainless steel flat knurled nut



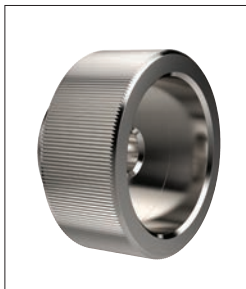
37140 - Steel knurled screw with collar



37150 - Stainless steel knurled screw with collar



37160 - Steel knurled nut



37170 - Stainless steel knurled nut



37200 - Stainless steel knurled thumb screw



37330 - Plastic knurled nut



37352 - Plastic knurled steel screw



37354 - Plastic knurled stainless steel screw



37380 - 1/4 turn screw



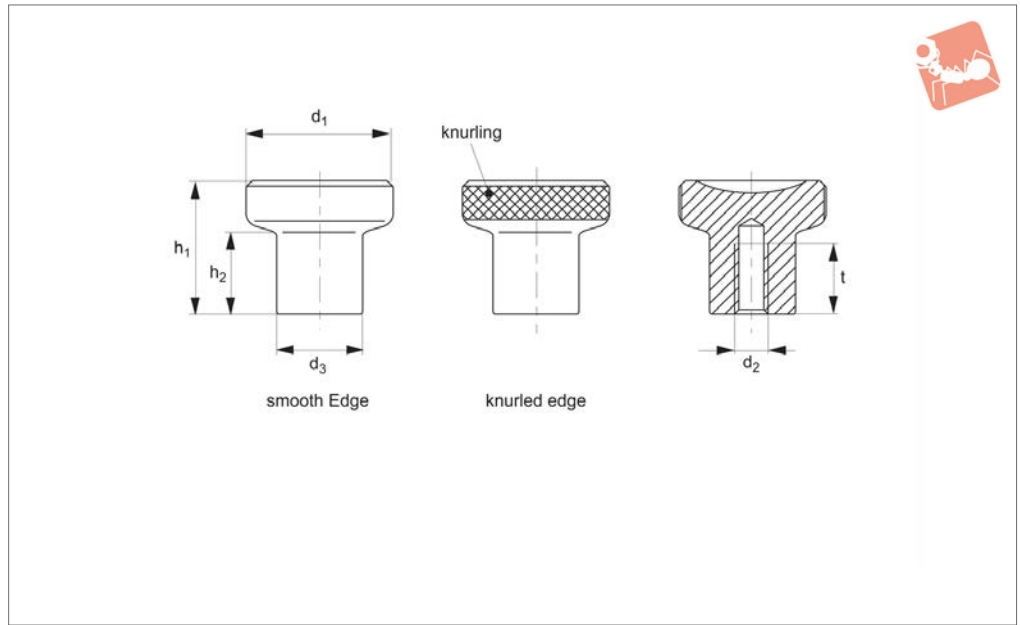
37400 - 1/4 turn nut



37460 - Thumb knob



37460



Material

Steel, blackened.
Stainless steel 1.4305 (AISI 303),

Matte finish.

Important Notes

Stainless steel knobs are used in applica-

tions where a push or pull movement is required.

Order No.	Edge finish	Finish	d ₁	d ₂	d ₃	h ₁	h ₂	t min.	Weight g
37460.W0242	Knurled	Steel	21	M 4	12.5	18.0	10.5	10	26
37460.W0042	Knurled	Stainless	21	M 4	12.5	18.0	10.5	10	26
37460.W0252	Knurled	Steel	21	M 5	12.5	18.0	10.5	10	25
37460.W0052	Knurled	Stainless	21	M 5	12.5	18.0	10.5	10	25
37460.W0264	Knurled	Steel	25	M 6	14.5	22.5	14.0	12	42
37460.W0064	Knurled	Stainless	25	M 6	14.5	22.5	14.0	12	42
37460.W0284	Knurled	Steel	25	M 8	14.5	22.5	14.0	12	39
37460.W0084	Knurled	Stainless	25	M 8	14.5	22.5	14.0	12	39
37460.W0288	Knurled	Steel	31	M 8	18.5	27.0	17.0	15	75
37460.W0088	Knurled	Stainless	31	M 8	18.5	27.0	17.0	15	75
37460.W0308	Knurled	Steel	31	M10	18.5	27.0	17.0	17	70
37460.W0108	Knurled	Stainless	31	M10	18.5	27.0	17.0	17	70
37460.W0642	Smooth	Steel	21	M 4	12.5	18.0	10.5	10	26
37460.W0542	Smooth	Stainless	21	M 4	12.5	18.0	10.5	10	26
37460.W0752	Smooth	Steel	21	M 5	12.5	18.0	10.5	10	25
37460.W0552	Smooth	Stainless	21	M 5	12.5	18.0	10.5	10	25
37460.W0764	Smooth	Steel	25	M 6	14.5	22.5	14.0	12	42
37460.W0564	Smooth	Stainless	25	M 6	14.5	22.5	14.0	12	42
37460.W0784	Smooth	Steel	25	M 8	14.5	22.5	14.0	12	39
37460.W0584	Smooth	Stainless	25	M 8	14.5	22.5	14.0	12	39
37460.W0788	Smooth	Steel	31	M 8	18.5	27.0	17.0	15	75
37460.W0588	Smooth	Stainless	31	M 8	18.5	27.0	17.0	15	75
37460.W0808	Smooth	Steel	31	M10	18.5	27.0	17.0	17	70
37460.W0608	Smooth	Stainless	31	M10	18.5	27.0	17.0	17	70



Wide Selection of Thumb Screws, Knurled Screws & Wing Nuts



Positioning Elements

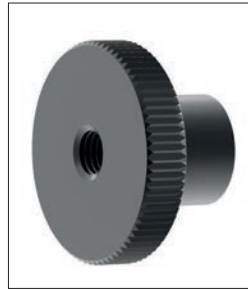
THUMB SCREWS



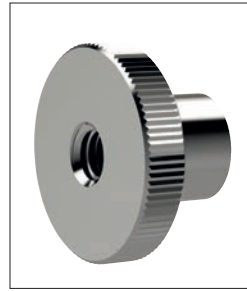
37020 - Steel flat knurled screw



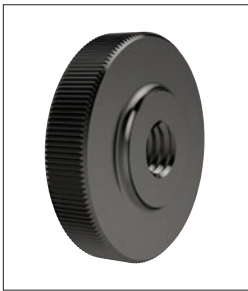
37040 - Stainless steel flat knurled screw



37100 - Steel knurled nut with collar



37110 - Stainless steel knurled nut with collar



37120 - Steel flat knurled nut



37130 - Stainless steel flat knurled nut



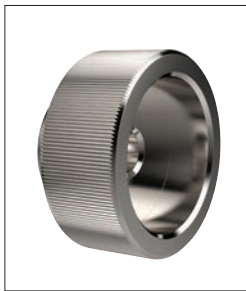
37140 - Steel knurled screw with collar



37150 - Stainless steel knurled screw with collar



37160 - Steel knurled nut



37170 - Stainless steel knurled nut



37200 - Stainless steel knurled thumb screw



37330 - Plastic knurled nut



37352 - Plastic knurled steel screw



37354 - Plastic knurled stainless steel screw



37380 - 1/4 turn screw



37400 - 1/4 turn nut



37460 - Thumb knob



72180 - Plastic wing nut



72190 - Plastic wing nut
with screw



72210 - Plastic wing nuts



72270 - 1/4 turn nut



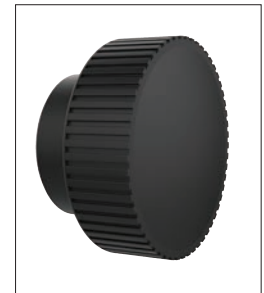
72280 - 1/4 turn nut



72290 - 1/4 turn screw



72300 - 1/4 turn screw



72410 - Knurled knob



72430 - Knurled knob
with screw



72440 - Knurled knobs



72460 - Knurled knobs



73200 - Mushroom knobs

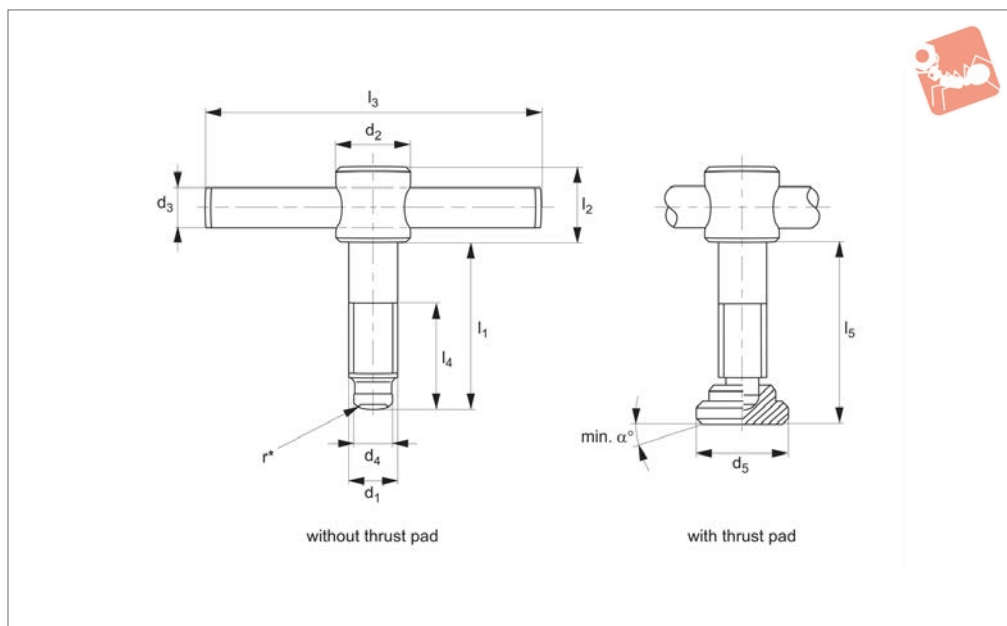


Tommy Screws

with fixed bar - DIN 6304



Thumb Screws



38000

THUMB SCREWS

Material

Free-cutting steel, black. Pressure lug hardened, bar pressed-in.

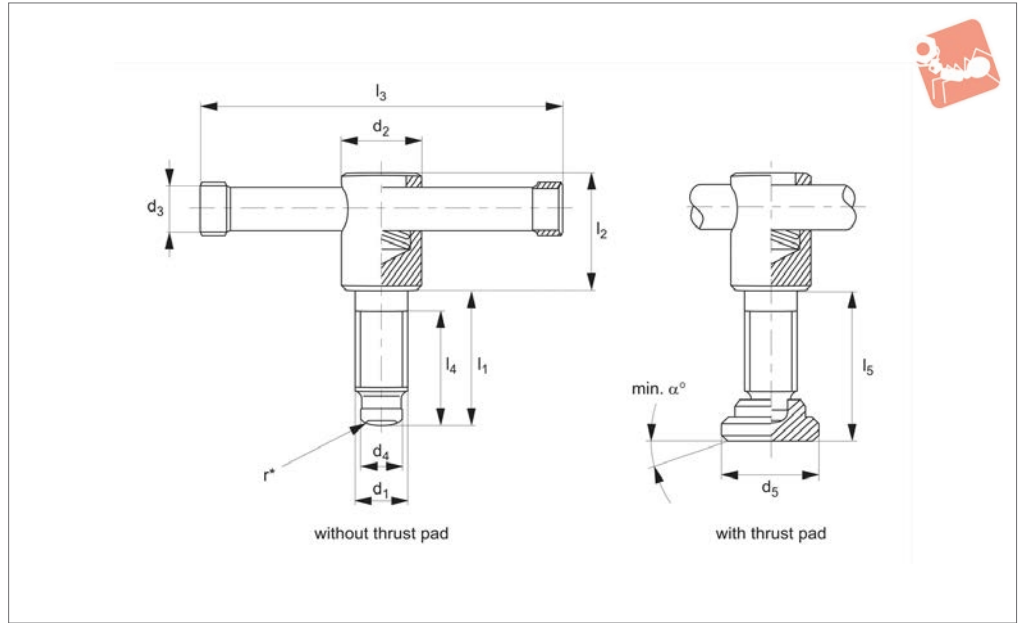
Technical Notes

To ease assembly minor radius (r^*) added outside of DIN standard.

Order No.	Thrust pad	d ₁	l ₁	d ₂	d ₃	d ₄	d ₅	l ₂	l ₃	l ₄	l ₅	α	Type	Weight with pad g
38000.W0006	W/o Pad	M 6	40	12	5	4.5	-	10	50	30	-	-	w/o Thrust Pad	21
38000.W0007	W/o Pad	M 6	50	12	5	4.5	-	10	50	40	-	-	w/o Thrust Pad	23
38000.W0008	W/o Pad	M 8	50	14	6	6.0	-	12	60	35	-	-	w/o Thrust Pad	39
38000.W0009	W/o Pad	M 8	60	14	6	6.0	-	12	60	45	-	-	w/o Thrust Pad	43
38000.W0010	W/o Pad	M10	60	18	8	8.0	-	14	80	40	-	-	w/o Thrust Pad	82
38000.W0011	W/o Pad	M10	70	18	8	8.0	-	14	80	50	-	-	w/o Thrust Pad	86
38000.W0012	W/o Pad	M12	70	20	10	8.0	-	18	100	50	-	-	w/o Thrust Pad	140
38000.W0013	W/o Pad	M12	80	20	10	8.0	-	18	100	60	-	-	w/o Thrust Pad	149
38000.W0016	W/o Pad	M16	75	24	12	12.0	-	20	120	55	-	-	w/o Thrust Pad	248
38000.W0017	W/o Pad	M16	90	24	12	12.0	-	20	120	70	-	-	w/o Thrust Pad	267
38000.W0018	W/o Pad	M16	110	24	12	12.0	-	20	120	90	-	-	w/o Thrust Pad	294
38000.W0020	W/o Pad	M20	75	30	16	15.5	-	28	140	55	-	-	w/o Thrust Pad	475
38000.W0021	W/o Pad	M20	90	30	16	15.5	-	28	140	70	-	-	w/o Thrust Pad	506
38000.W0022	W/o Pad	M20	110	30	16	15.5	-	28	140	90	-	-	w/o Thrust Pad	548
38000.W0106	With Pad	M 6	40	12	5	4.5	12	10	50	30	42.1	7	With Thrust Pad	24
38000.W0107	With Pad	M 6	50	12	5	4.5	12	10	50	40	52.1	7	With Thrust Pad	28
38000.W0108	With Pad	M 8	50	14	6	6.0	16	12	60	35	53.0	4	With Thrust Pad	49
38000.W0109	With Pad	M 8	60	14	6	6.0	16	12	60	45	63.0	4	With Thrust Pad	54
38000.W0110	With Pad	M10	60	18	8	8.0	20	14	80	40	63.6	2	With Thrust Pad	97
38000.W0111	With Pad	M10	70	18	8	8.0	20	14	80	50	73.6	3	With Thrust Pad	102
38000.W0112	With Pad	M12	70	20	10	8.0	25	18	100	50	74.6	3	With Thrust Pad	173
38000.W0113	With Pad	M12	80	20	10	8.0	25	18	100	60	84.6	3	With Thrust Pad	178
38000.W0116	With Pad	M16	75	24	12	12.0	32	20	120	55	80.4	5	With Thrust Pad	317
38000.W0117	With Pad	M16	90	24	12	12.0	32	20	120	70	95.4	5	With Thrust Pad	342
38000.W0118	With Pad	M16	110	24	12	12.0	32	20	120	90	115.4	5	With Thrust Pad	367
38000.W0120	With Pad	M20	75	30	16	15.5	40	28	140	55	80.5	4	With Thrust Pad	573
38000.W0121	With Pad	M20	90	30	16	15.5	40	28	140	70	95.5	4	With Thrust Pad	603
38000.W0122	With Pad	M20	110	30	16	15.5	40	28	140	90	115.4	4	With Thrust Pad	643



38100



Material

Free-cutting steel, black. Turned, pressure lug hardened, with moveable pin retained

by spring.

outside of DIN standard.

Technical Notes

To ease assembly minor radius (r^*) added

Order No.	Thrust pad	d_1	l_1	d_2	d_3	d_4	d_5	l_2	l_3	l_4	l_5	α	Type	Weight with pad g
38100.W0008	W/o Pad	M 8	40	14	6	6.0	-	25	60	32	-	-	-	41
38100.W0009	W/o Pad	M 8	50	14	6	6.0	-	25	60	42	-	-	-	45
38100.W0010	W/o Pad	M10	40	18	8	8.0	-	32	80	30	-	-	w/o Thrust Pad	91
38100.W0011	W/o Pad	M10	50	18	8	8.0	-	32	80	40	-	-	w/o Thrust Pad	95
38100.W0012	W/o Pad	M12	50	20	10	8.0	-	35	100	40	-	-	w/o Thrust Pad	154
38100.W0013	W/o Pad	M12	60	20	10	8.0	-	35	100	50	-	-	w/o Thrust Pad	161
38100.W0016	W/o Pad	M16	55	24	13	12.0	-	40	120	45	-	-	w/o Thrust Pad	330
38100.W0017	W/o Pad	M16	70	24	13	12.0	-	40	120	60	-	-	w/o Thrust Pad	318
38100.W0018	W/o Pad	M16	90	24	13	12.0	-	40	120	80	-	-	w/o Thrust Pad	345
38100.W0020	W/o Pad	M20	55	30	16	15.5	-	45	140	45	-	-	w/o Thrust Pad	522
38100.W0021	W/o Pad	M20	70	30	16	15.5	-	45	140	60	-	-	w/o Thrust Pad	551
38100.W0022	W/o Pad	M20	90	30	16	15.5	-	45	140	80	-	-	w/o Thrust Pad	593
38100.W0108	With Pad	M 8	40	14	6	6.0	16	25	60	32	43.0	3	-	50
38100.W0109	With Pad	M 8	50	14	6	6.0	16	25	60	42	53.0	3	-	54
38100.W0110	With Pad	M10	40	18	8	8.0	20	32	80	30	43.6	3	With Thrust Pad	110
38100.W0111	With Pad	M10	50	18	8	8.0	20	32	80	40	53.6	3	With Thrust Pad	114
38100.W0112	With Pad	M12	50	20	10	8.0	25	35	100	40	52.6	3	With Thrust Pad	193
38100.W0113	With Pad	M12	60	20	10	8.0	25	35	100	50	64.6	3	With Thrust Pad	198
38100.W0116	With Pad	M16	55	24	13	12.0	32	40	120	45	60.4	5	With Thrust Pad	357
38100.W0117	With Pad	M16	70	24	13	12.0	32	40	120	60	75.4	5	With Thrust Pad	377
38100.W0118	With Pad	M16	90	24	13	12.0	32	40	120	80	95.4	5	With Thrust Pad	402
38100.W0120	With Pad	M20	55	30	16	15.5	40	45	140	45	60.5	4	With Thrust Pad	623
38100.W0121	With Pad	M20	70	30	16	15.5	40	45	140	60	75.5	4	With Thrust Pad	653
38100.W0122	With Pad	M20	90	30	16	15.5	40	45	140	80	95.5	4	With Thrust Pad	693

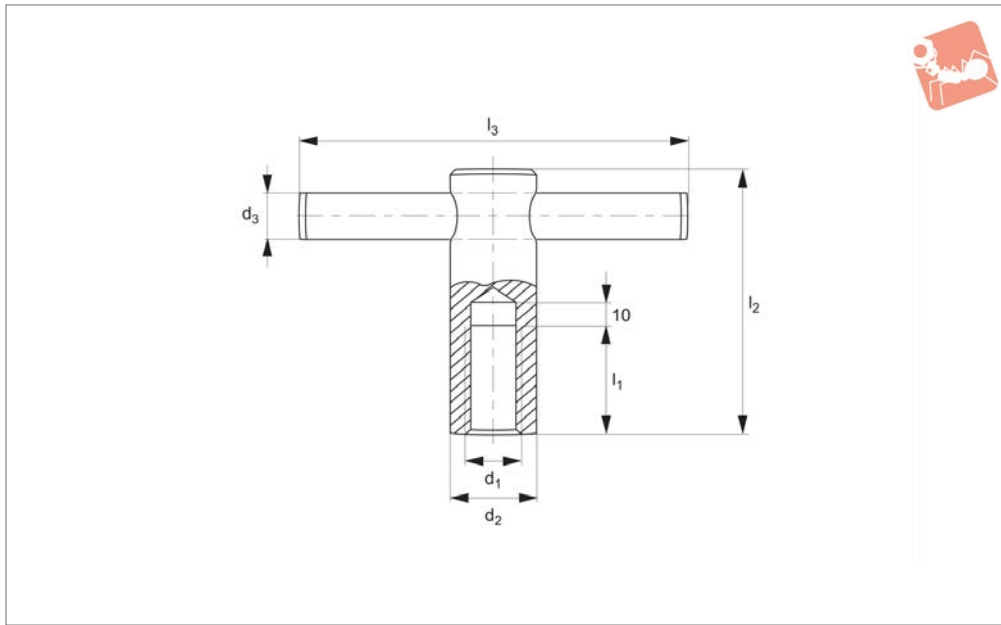


Tommy Nuts

with fixed bar - DIN 6305



Thumb Screws



38200

THUMB SCREWS

Material

Free-cutting steel, blackened. Moveable bar retained by spring.

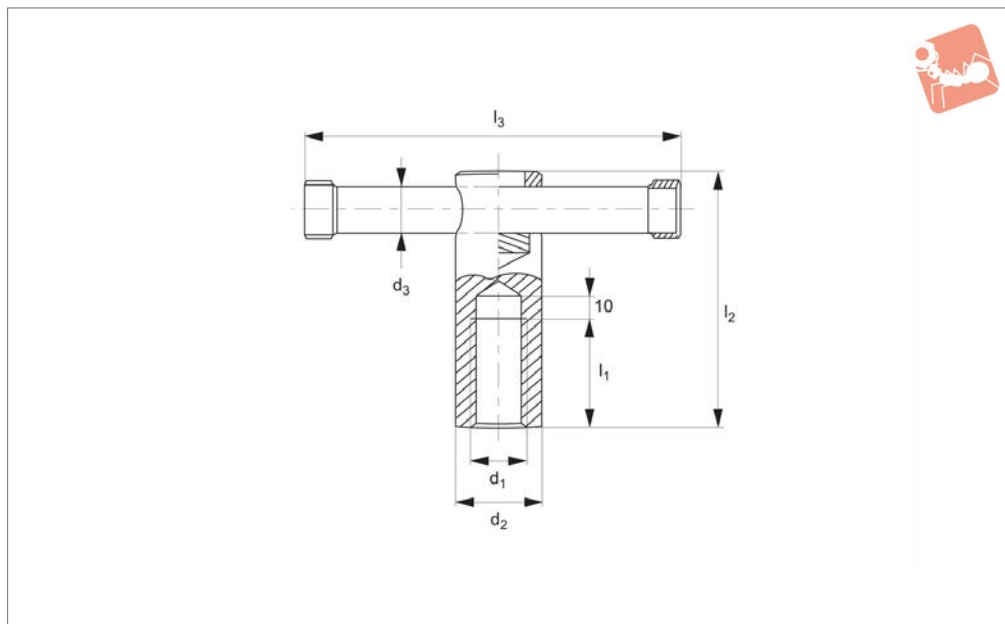
Technical Notes

* - DIN standards do not include these dimensions.

Order No.	d ₁	l ₁	d ₂	d ₃	l ₂	l ₃	Weight g
38200.W0508	M 8	16	16	6	50	60	79
38200.W0510	M10	20	18	8	60	80	127
38200.W0512	M12	25	20	10	70	100	192
38200.W0516	M16	35	24	12	85	120	318
38200.W0520	M20	40	30	16	95	140	590



38300



Material

Free-cutting steel, blackened. Moveable bar retained by spring.

Technical Notes

* - DIN standards do not include these dimensions.

Order No.	d ₁	l ₁	d ₂	d ₃	l ₂	l ₃	Weight g
38300.W0708	M 8	16	16	6	50	60	69
38300.W0710	M10	20	18	8	60	80	112
38300.W0712	M12	25	20	10	70	100	179
38300.W0716	M16	35	24	13	85	120	327
38300.W0720	M20	40	30	16	95	140	581