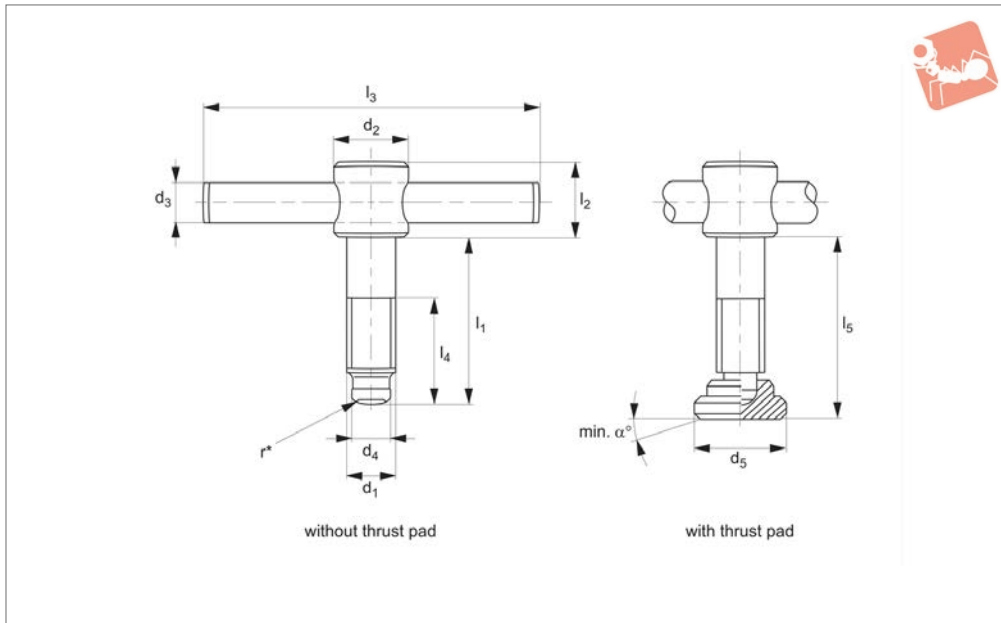




# Tommy Screws with fixed bar - DIN 6304

# Thumb Screws



**38000**

THUMB SCREWS

### Material

Free-cutting steel, black. Pressure lug hardened, bar pressed-in.

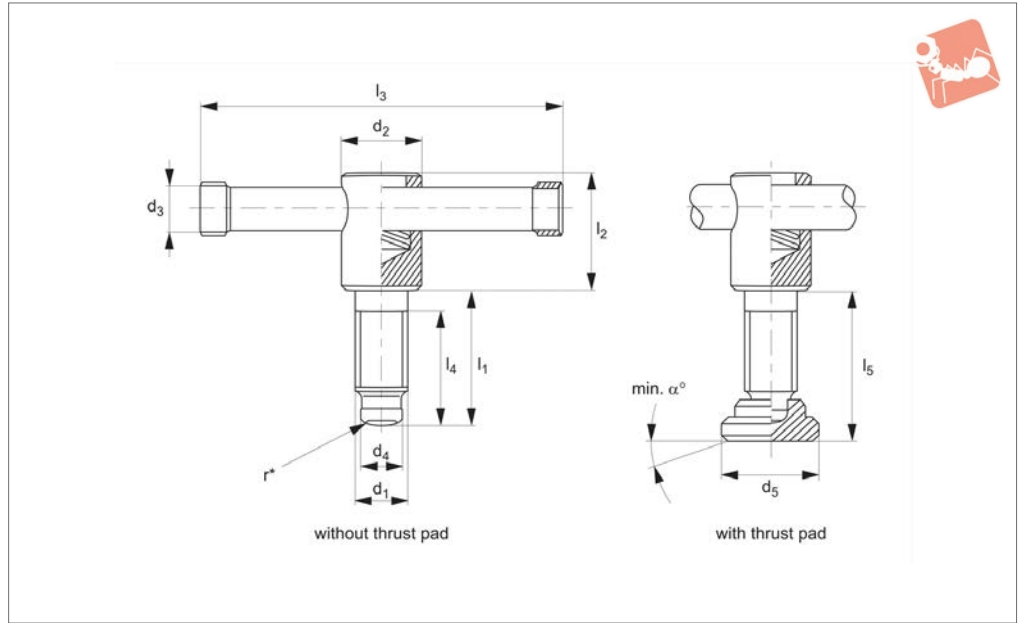
### Technical Notes

To ease assembly minor radius (r\*) added outside of DIN standard.

Order No.	Thrust pad	d <sub>1</sub>	l <sub>1</sub>	d <sub>2</sub>	d <sub>3</sub>	d <sub>4</sub>	d <sub>5</sub>	l <sub>2</sub>	l <sub>3</sub>	l <sub>4</sub>	l <sub>5</sub>	α	Type	Weight with pad g
38000.W0006	W/o Pad	M 6	40	12	5	4.5	-	10	50	30	-	-	w/o Thrust Pad	21
38000.W0007	W/o Pad	M 6	50	12	5	4.5	-	10	50	40	-	-	w/o Thrust Pad	23
38000.W0008	W/o Pad	M 8	50	14	6	6.0	-	12	60	35	-	-	w/o Thrust Pad	39
38000.W0009	W/o Pad	M 8	60	14	6	6.0	-	12	60	45	-	-	w/o Thrust Pad	43
38000.W0010	W/o Pad	M10	60	18	8	8.0	-	14	80	40	-	-	w/o Thrust Pad	82
38000.W0011	W/o Pad	M10	70	18	8	8.0	-	14	80	50	-	-	w/o Thrust Pad	86
38000.W0012	W/o Pad	M12	70	20	10	8.0	-	18	100	50	-	-	w/o Thrust Pad	140
38000.W0013	W/o Pad	M12	80	20	10	8.0	-	18	100	60	-	-	w/o Thrust Pad	149
38000.W0016	W/o Pad	M16	75	24	12	12.0	-	20	120	55	-	-	w/o Thrust Pad	248
38000.W0017	W/o Pad	M16	90	24	12	12.0	-	20	120	70	-	-	w/o Thrust Pad	267
38000.W0018	W/o Pad	M16	110	24	12	12.0	-	20	120	90	-	-	w/o Thrust Pad	294
38000.W0020	W/o Pad	M20	75	30	16	15.5	-	28	140	55	-	-	w/o Thrust Pad	475
38000.W0021	W/o Pad	M20	90	30	16	15.5	-	28	140	70	-	-	w/o Thrust Pad	506
38000.W0022	W/o Pad	M20	110	30	16	15.5	-	28	140	90	-	-	w/o Thrust Pad	548
38000.W0106	With Pad	M 6	40	12	5	4.5	12	10	50	30	42.1	7	With Thrust Pad	24
38000.W0107	With Pad	M 6	50	12	5	4.5	12	10	50	40	52.1	7	With Thrust Pad	28
38000.W0108	With Pad	M 8	50	14	6	6.0	16	12	60	35	53.0	4	With Thrust Pad	49
38000.W0109	With Pad	M 8	60	14	6	6.0	16	12	60	45	63.0	4	With Thrust Pad	54
38000.W0110	With Pad	M10	60	18	8	8.0	20	14	80	40	63.6	2	With Thrust Pad	97
38000.W0111	With Pad	M10	70	18	8	8.0	20	14	80	50	73.6	3	With Thrust Pad	102
38000.W0112	With Pad	M12	70	20	10	8.0	25	18	100	50	74.6	3	With Thrust Pad	173
38000.W0113	With Pad	M12	80	20	10	8.0	25	18	100	60	84.6	3	With Thrust Pad	178
38000.W0116	With Pad	M16	75	24	12	12.0	32	20	120	55	80.4	5	With Thrust Pad	317
38000.W0117	With Pad	M16	90	24	12	12.0	32	20	120	70	95.4	5	With Thrust Pad	342
38000.W0118	With Pad	M16	110	24	12	12.0	32	20	120	90	115.4	5	With Thrust Pad	367
38000.W0120	With Pad	M20	75	30	16	15.5	40	28	140	55	80.5	4	With Thrust Pad	573
38000.W0121	With Pad	M20	90	30	16	15.5	40	28	140	70	95.5	4	With Thrust Pad	603
38000.W0122	With Pad	M20	110	30	16	15.5	40	28	140	90	115.4	4	With Thrust Pad	643



## 38100



### Material

Free-cutting steel, black. Turned, pressure lug hardened, with moveable pin retained

by spring.

outside of DIN standard.

### Technical Notes

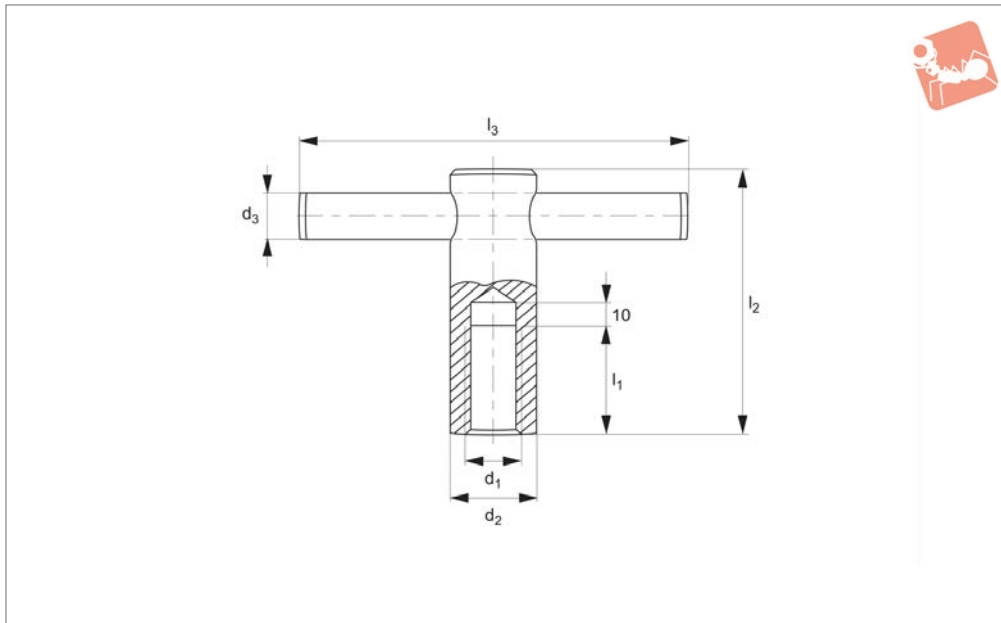
To ease assembly minor radius ( $r^*$ ) added

Order No.	Thrust pad	$d_1$	$l_1$	$d_2$	$d_3$	$d_4$	$d_5$	$l_2$	$l_3$	$l_4$	$l_5$	$\alpha$	Type	Weight with pad g
38100.W0008	W/o Pad	M 8	40	14	6	6.0	-	25	60	32	-	-	-	41
38100.W0009	W/o Pad	M 8	50	14	6	6.0	-	25	60	42	-	-	-	45
38100.W0010	W/o Pad	M10	40	18	8	8.0	-	32	80	30	-	-	w/o Thrust Pad	91
38100.W0011	W/o Pad	M10	50	18	8	8.0	-	32	80	40	-	-	w/o Thrust Pad	95
38100.W0012	W/o Pad	M12	50	20	10	8.0	-	35	100	40	-	-	w/o Thrust Pad	154
38100.W0013	W/o Pad	M12	60	20	10	8.0	-	35	100	50	-	-	w/o Thrust Pad	161
38100.W0016	W/o Pad	M16	55	24	13	12.0	-	40	120	45	-	-	w/o Thrust Pad	330
38100.W0017	W/o Pad	M16	70	24	13	12.0	-	40	120	60	-	-	w/o Thrust Pad	318
38100.W0018	W/o Pad	M16	90	24	13	12.0	-	40	120	80	-	-	w/o Thrust Pad	345
38100.W0020	W/o Pad	M20	55	30	16	15.5	-	45	140	45	-	-	w/o Thrust Pad	522
38100.W0021	W/o Pad	M20	70	30	16	15.5	-	45	140	60	-	-	w/o Thrust Pad	551
38100.W0022	W/o Pad	M20	90	30	16	15.5	-	45	140	80	-	-	w/o Thrust Pad	593
38100.W0108	With Pad	M 8	40	14	6	6.0	16	25	60	32	43.0	3	-	50
38100.W0109	With Pad	M 8	50	14	6	6.0	16	25	60	42	53.0	3	-	54
38100.W0110	With Pad	M10	40	18	8	8.0	20	32	80	30	43.6	3	With Thrust Pad	110
38100.W0111	With Pad	M10	50	18	8	8.0	20	32	80	40	53.6	3	With Thrust Pad	114
38100.W0112	With Pad	M12	50	20	10	8.0	25	35	100	40	52.6	3	With Thrust Pad	193
38100.W0113	With Pad	M12	60	20	10	8.0	25	35	100	50	64.6	3	With Thrust Pad	198
38100.W0116	With Pad	M16	55	24	13	12.0	32	40	120	45	60.4	5	With Thrust Pad	357
38100.W0117	With Pad	M16	70	24	13	12.0	32	40	120	60	75.4	5	With Thrust Pad	377
38100.W0118	With Pad	M16	90	24	13	12.0	32	40	120	80	95.4	5	With Thrust Pad	402
38100.W0120	With Pad	M20	55	30	16	15.5	40	45	140	45	60.5	4	With Thrust Pad	623
38100.W0121	With Pad	M20	70	30	16	15.5	40	45	140	60	75.5	4	With Thrust Pad	653
38100.W0122	With Pad	M20	90	30	16	15.5	40	45	140	80	95.5	4	With Thrust Pad	693



# Tommy Nuts with fixed bar - DIN 6305

# Thumb Screws



## 38200

THUMB SCREWS

### Material

Free-cutting steel, blackened. Moveable bar retained by spring.

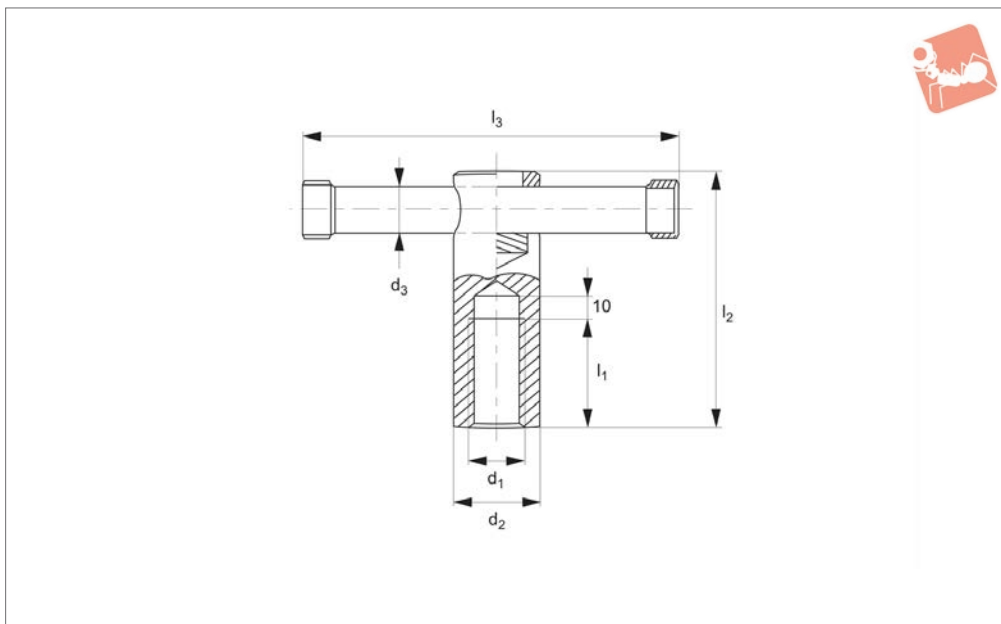
### Technical Notes

\* - DIN standards do not include these dimensions.

Order No.	d <sub>1</sub>	l <sub>1</sub>	d <sub>2</sub>	d <sub>3</sub>	l <sub>2</sub>	l <sub>3</sub>	Weight g
<b>38200.W0508</b>	M 8	16	16	6	50	60	79
<b>38200.W0510</b>	M10	20	18	8	60	80	127
<b>38200.W0512</b>	M12	25	20	10	70	100	192
<b>38200.W0516</b>	M16	35	24	12	85	120	318
<b>38200.W0520</b>	M20	40	30	16	95	140	590



## 38300



### Material

Free-cutting steel, blackened. Moveable bar retained by spring.

### Technical Notes

\* - DIN standards do not include these dimensions.

Order No.	d <sub>1</sub>	l <sub>1</sub>	d <sub>2</sub>	d <sub>3</sub>	l <sub>2</sub>	l <sub>3</sub>	Weight g
38300.W0708	M 8	16	16	6	50	60	69
38300.W0710	M10	20	18	8	60	80	112
38300.W0712	M12	25	20	10	70	100	179
38300.W0716	M16	35	24	13	85	120	327
38300.W0720	M20	40	30	16	95	140	581