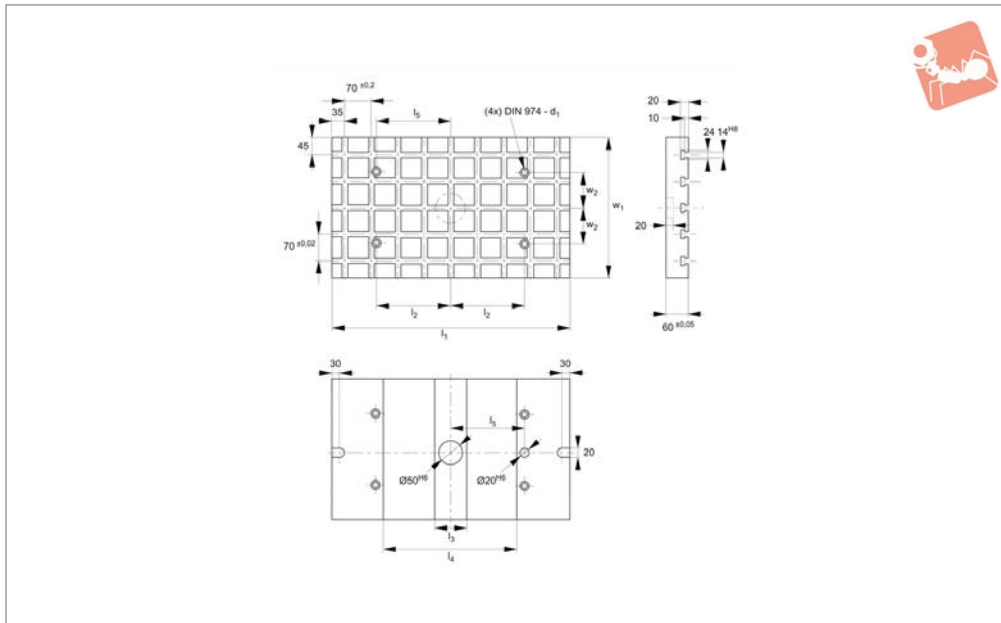


T-Slot Base Plate

rectangular

Base Plates & Clamping



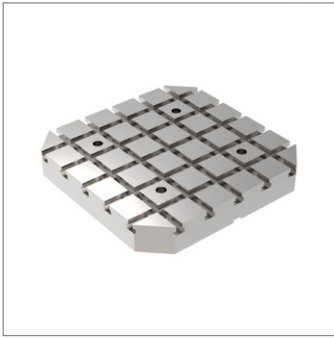
19580

BASE PLATES & CLAMPING ANGLES

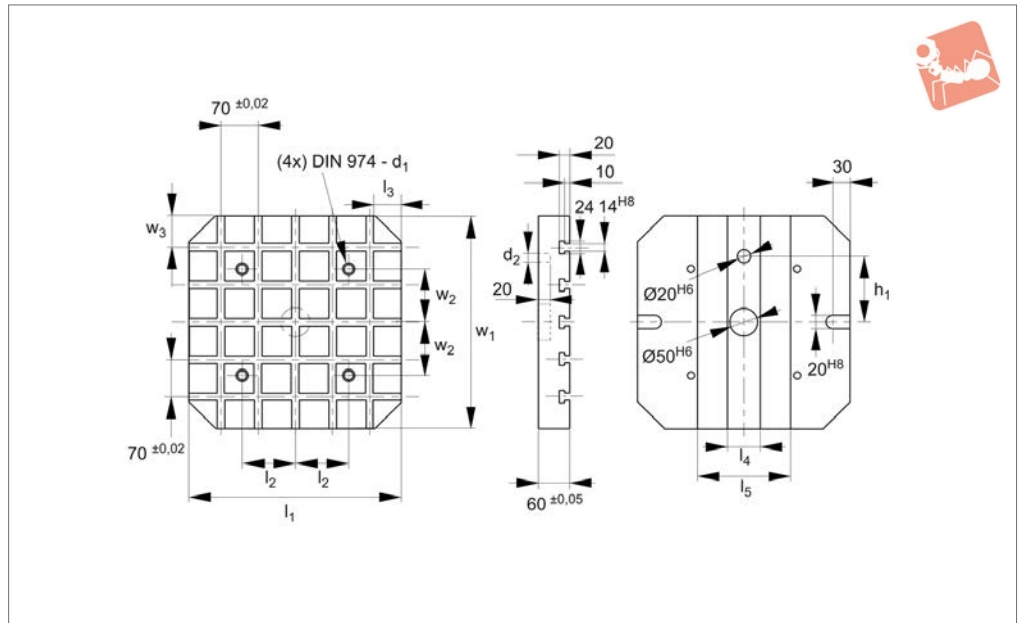
Material

High tensile tool steel.

Order No.	$l_1 \times w_1$	w_2 ± 0.2	l_2 ± 0.2	l_3	l_4	l_5 $\pm 0,013$	d_1	Number of T-slots	Weight kg
19580.W0300	420x230	100	150	70	240	150	12	3x6	38
19580.W0400	490x300	100	200	70	310	200	12	4x7	57
19580.W0500	630x370	100	200	70	350	200	12	5x9	92



19582



Material

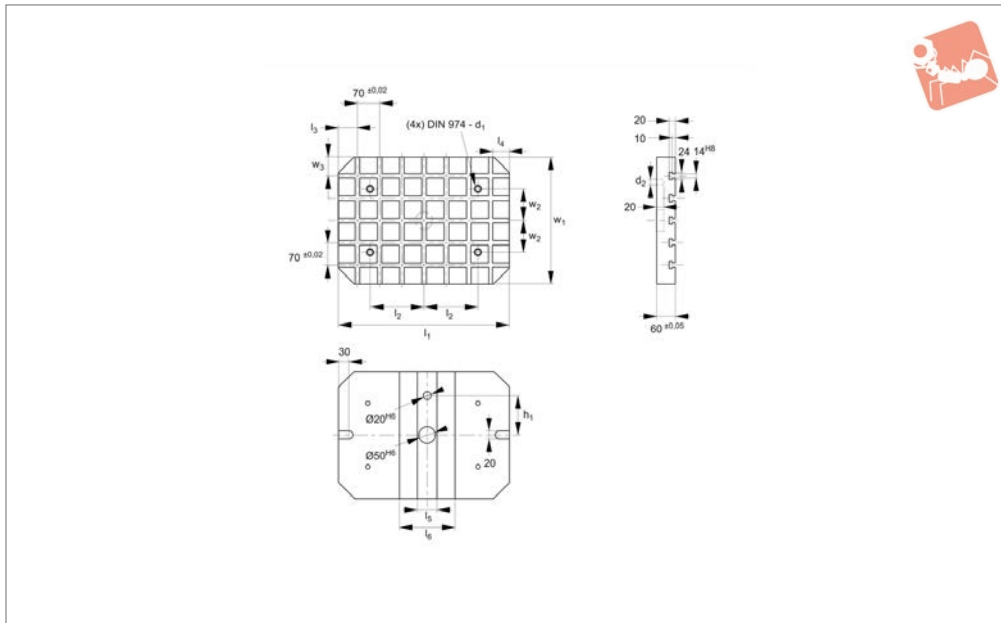
High tensile tool steel.

Order No.	$w_1 \times l_1$	$w_2 \pm 0.2$	w_3	$l_2 \pm 0.2$	l_3	l_4	l_5	$h_1 \pm 0.013$	d_1	d_2 tol. h6	Number of T-slots	Weight kg
19582.W0700	400x400	100	60	100	50	65	175	150	12	20	5x5	61
19582.W0800	500x500	200	40	200	60	70	310	200	12	20	7x7	95
19582.W0900	630x630	200	35	200	70	70	340	200	16	25	9x9	152



T- Slot Base Plate rectangular

Base Plates & Clamping



19584

BASE PLATES & CLAMPING ANGLES

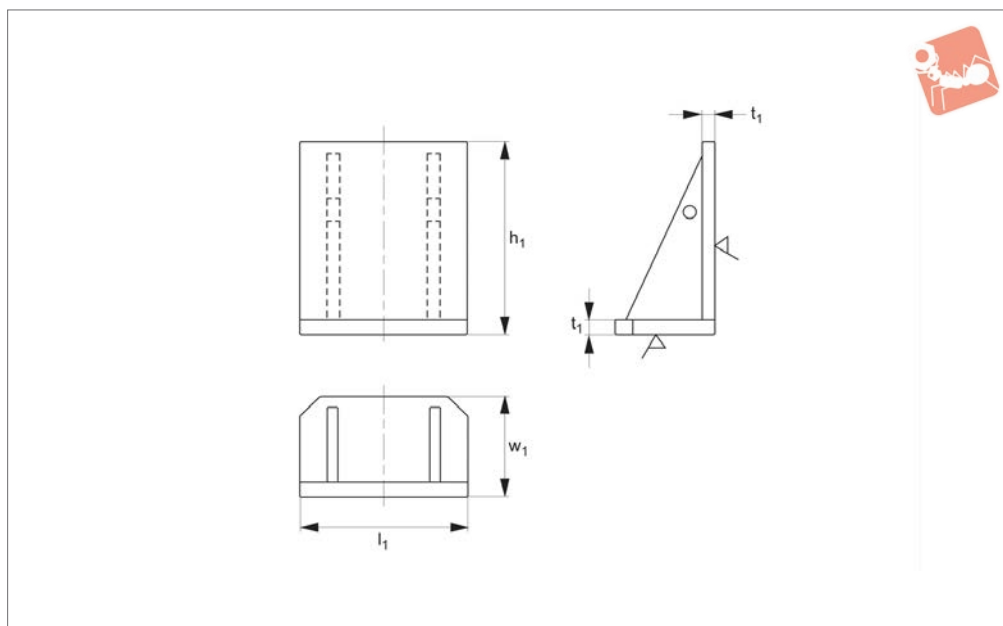
Material

High tensile tool steel.

Order No.	$w_1 \times l_1$	w_2 ± 0.2	w_3 ± 0.02	l_2 ± 0.2	l_3 ± 0.02	l_4	l_5	l_6	h_1 ± 0.013	d_1	d_2	Number of T-slots	Weight kg
19584.W0300	400x500	100	60	200	40	50	70	310	150	12	20	5x7	77
19584.W0500	500x630	200	40	200	35	60	70	340	200	12	20	7x9	120



19540



Material

Steel, welded.

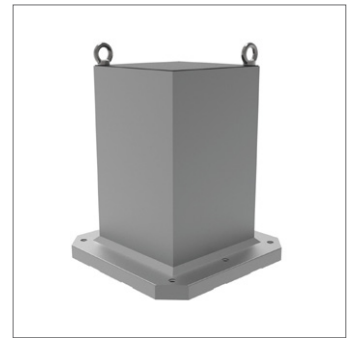
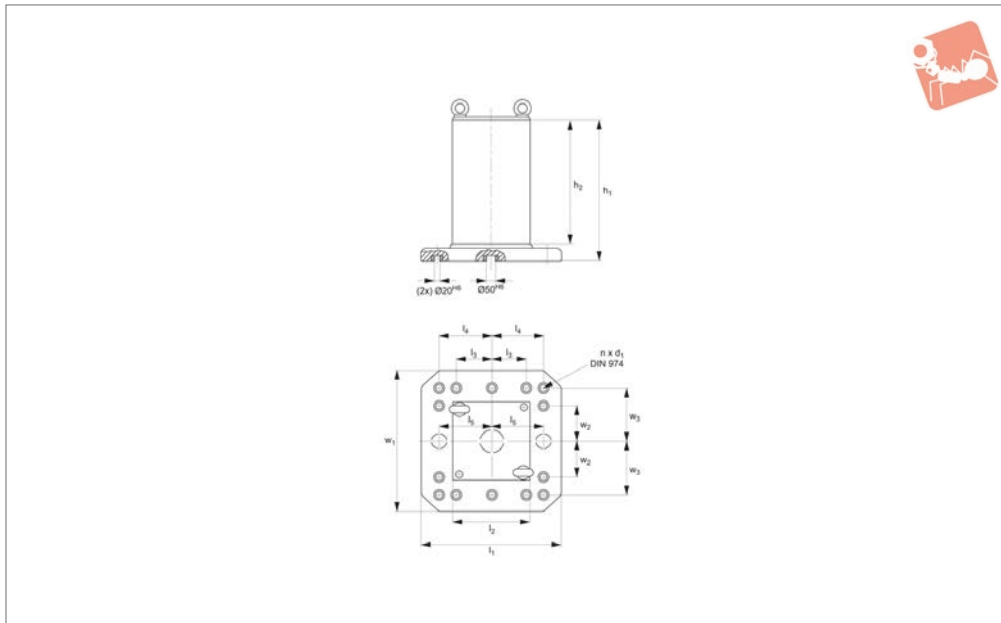
Order No.	l_1	w_1	h_1	t_1	Weight kg
19540.W0020	400	250	450	32	76
19540.W0040	500	330	550	32	125
19540.W0060	630	370	650	32	180



Clamping Cubes

cast iron - semi-finished

Base Plates & Clamping



19560

BASE PLATES & CLAMPING ANGLES

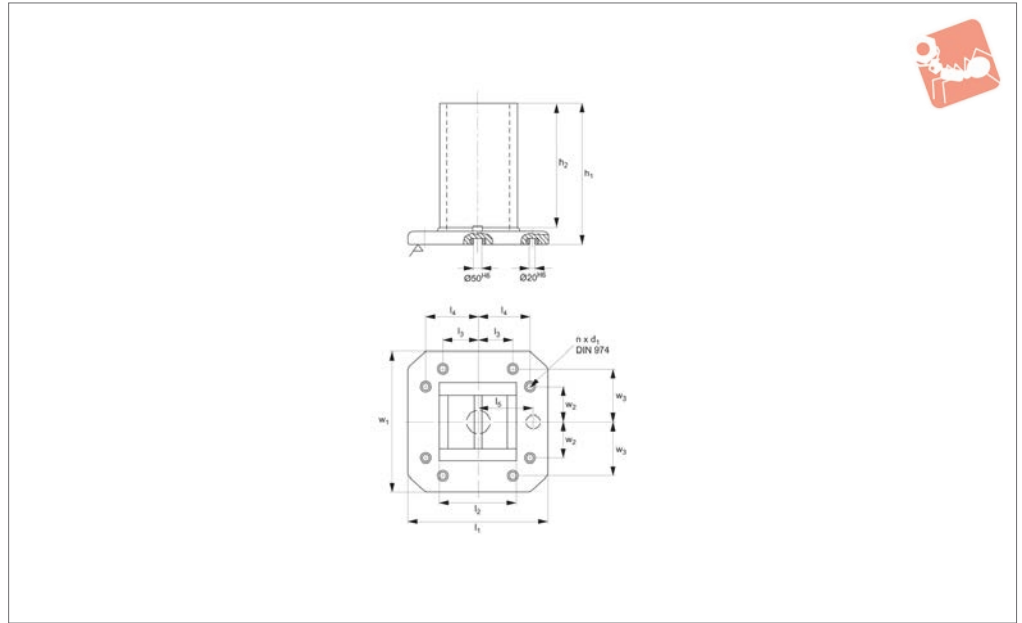
Material

Cast iron (GG).

Order No.	$w_1 \times l_1$	w_2 ± 0.2	w_3 ± 0.2	h_1	h_2	l_2 $+1$	l_3 ± 0.2	l_4 ± 0.2	l_5 ± 0.013	d_1	No. of holes n	For screw	Weight kg
19560.W0210	400x400	-	150	408	358	231	-	150	150	12	4	M12	134
19560.W0410	500x500	-	200	565	510	331	-	200	200	12	6	M12	265
19560.W0610	630x630	200	300	700	640	451	200	300	200	16	8	M16	427



19570



Material

Steel, welded.

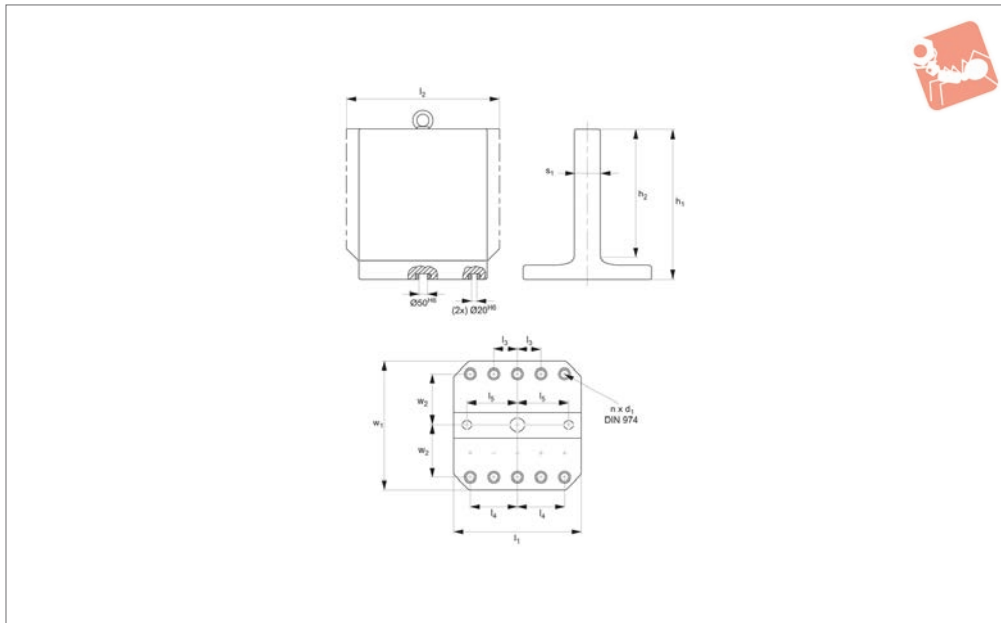
Technical Notes

Special designs upon request.

Tips

Lower cost alternative to cast version no. 19560.

Order No.	$w_1 \times l_1$	w_2 ± 0.2	w_3 ± 0.2	h_1	h_2	l_2 $+1$	l_3 ± 0.2	l_4 ± 0.2	l_5 ± 0.013	d_1	No. of holes	For screw	Weight kg
19570.W0220	400x400	150	-	500	450	231	-	150	150	12	4	M12	134
19570.W0240	500x500	200	-	650	595	331	-	200	200	12	4	M12	265
19570.W0260	630x630	200	300	800	740	451	200	300	200	16	8	M16	427



19500

BASE PLATES & CLAMPING ANGLES

Material

Cast iron (GG30).

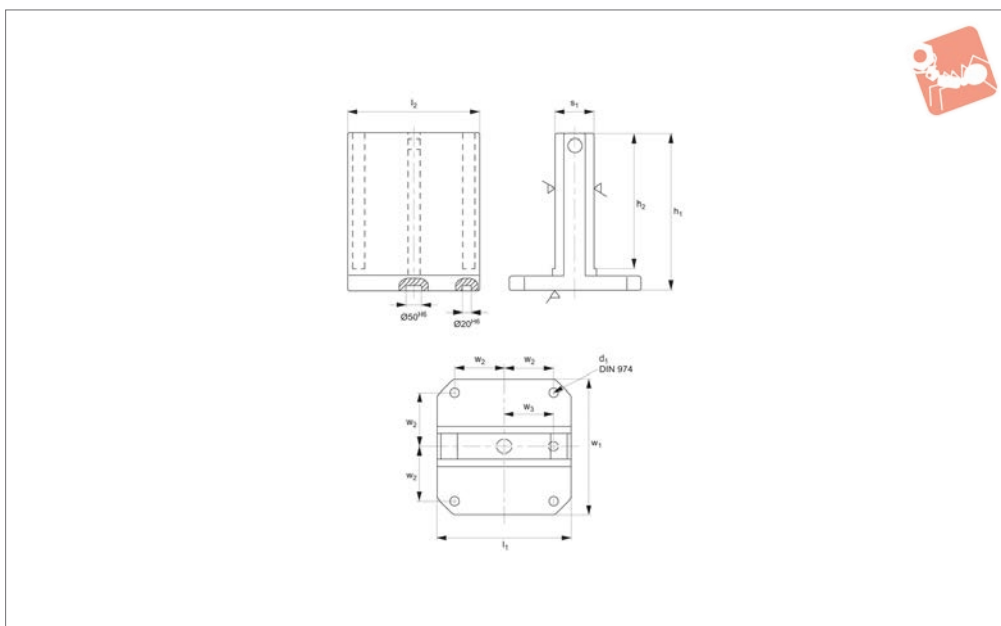
Technical Notes

19510 is the less expensive welded version.

Order No.	$w_1 \times l_1$	w_2 ± 0.2	l_2	l_3 ± 0.2	l_4 ± 0.2	l_5 ± 0.2	d_1	h_1	h_2	s_1 $+1$	No. of holes n	For screw	Weight kg
19500.W0002	400x400	150	-	-	150	150	12	475	400	81	4	M12	150
19500.W0003	400x400	150	500	-	150	150	12	475	400	81	4	M12	173
19500.W0004	500x500	200	-	-	200	200	12	595	500	101	6	M12	284
19500.W0005	500x500	200	630	-	200	200	12	595	500	101	6	M12	334
19500.W0006	630x630	200	-	-	200	200	16	725	630	131	6	M16	470
19500.W0007	800x800	300	-	100	300	300	16	910	800	151	8	M16	745



19510



Material

Steel, welded.

Tips

Lower cost alternative to cast version.

Technical Notes

Special designs upon request.

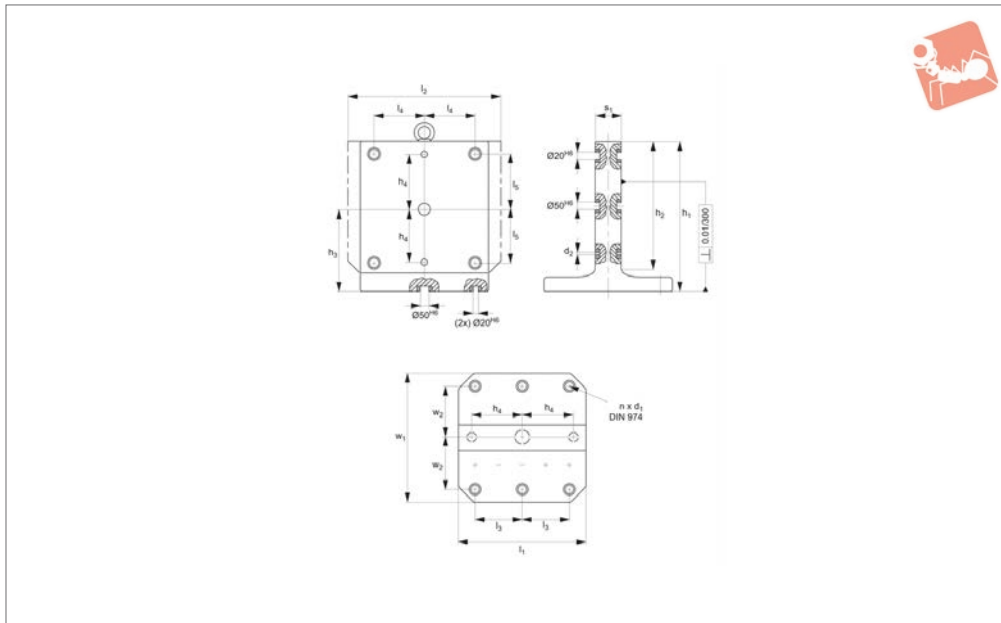
Order No.	$w_1 \times l_1$	w_2 ± 0.2	w_3 ± 0.013	l_2	d_1	h_1	h_2	s_1 $+1$	For screw	Weight kg
19510.W0120	400x400	150	150	400	12	475	425	121	M12	148
19510.W0140	500x500	200	200	500	12	600	545	151	M12	274
19510.W0160	630x630	200	200	630	16	725	660	181	M16	395



Cast Iron Tombstones

fully machined

Base Plates & Clamping



19520

BASE PLATES & CLAMPING ANGLES

Material

Cast iron (GG30).

Order No.	$w_1 \times l_1$	w_2	l_2	l_3 ± 0.2	l_4	l_5	d_1	Weight kg
19520.W0240	400x400	150	400	150	100	100	12	147
19520.W0340	400x400	150	500	150	200	100	12	168
19520.W0440	500x500	200	500	200	200	200	12	295
19520.W0540	500x500	200	630	200	200	200	12	326
19520.W0640	630x630	200	630	200	200	200	16	385

Order No.	h_1	h_2	h_3 ± 0.01	h_4 ± 0.013	s_1 ± 0.02	Number of holes n	For screw
19520.W0240	475	400	275	150	80	4	M12
19520.W0340	475	400	275	150	80	4	M12
19520.W0440	595	500	345	200	100	6	M12
19520.W0540	595	500	345	200	100	6	M12
19520.W0640	725	630	410	200	130	6	M16