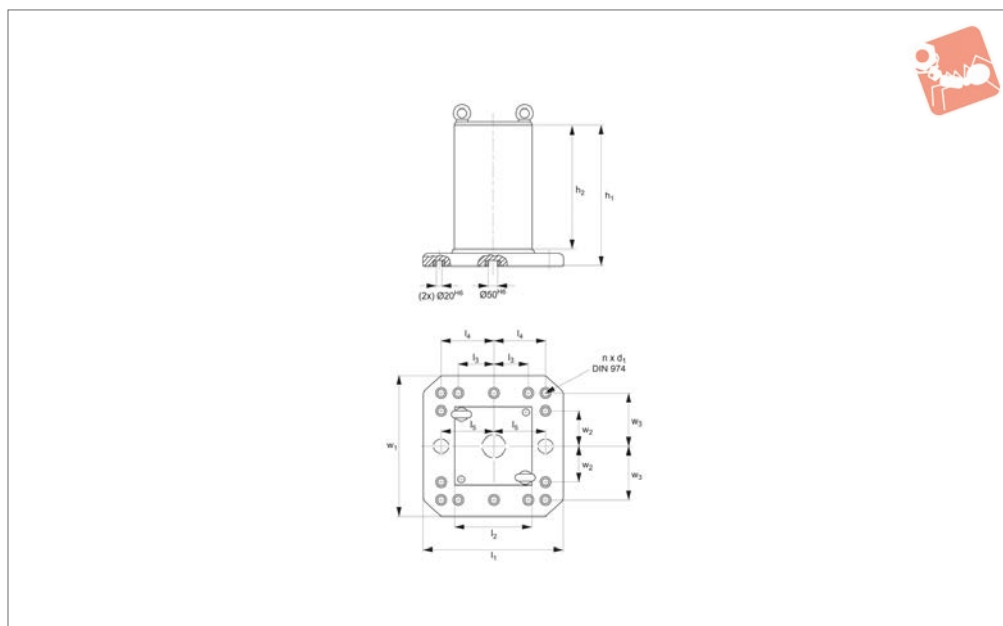
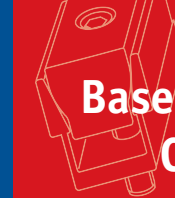




Clamping Cubes

cast iron - semi-finished

Base Plates & Clamping



19560

BASE PLATES & CLAMPING ANGLES

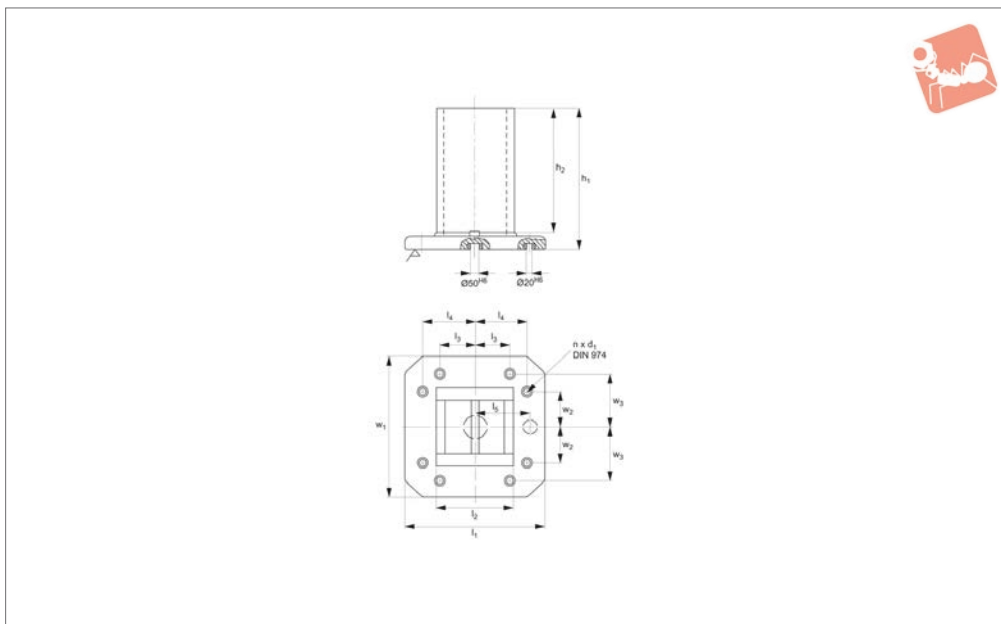
Material

Cast iron (GG).

Order No.	$w_1 \times l_1$	w_2 ± 0.2	w_3 ± 0.2	h_1	h_2	l_2 $+1$	l_3 ± 0.2	l_4 ± 0.2	l_5 ± 0.013	d_1	No. of holes n	For screw	Weight kg
19560.W0210	400x400	-	150	408	358	231	-	150	150	12	4	M12	134
19560.W0410	500x500	-	200	565	510	331	-	200	200	12	6	M12	265
19560.W0610	630x630	200	300	700	640	451	200	300	200	16	8	M16	427



19570



Material

Steel, welded.

Technical Notes

Special designs upon request.

Tips

Lower cost alternative to cast version no. 19560.

Order No.	$w_1 \times l_1$	w_2 ± 0.2	w_3 ± 0.2	h_1	h_2	l_2 $+1$	l_3 ± 0.2	l_4 ± 0.2	l_5 ± 0.013	d_1	No. of holes	For screw	Weight kg
19570.W0220	400x400	150	-	500	450	231	-	150	150	12	4	M12	134
19570.W0240	500x500	200	-	650	595	331	-	200	200	12	4	M12	265
19570.W0260	630x630	200	300	800	740	451	200	300	200	16	8	M16	427