

12454

MULTI-CLAMPING SYSTEMS

Material

Jaw: alloy steel, black oxide finish, hardness HRC33-39.

Washer: alloy steel, black oxide finish.

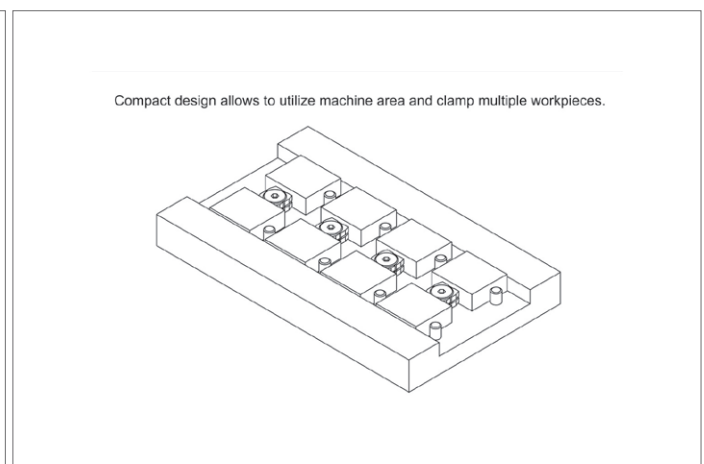
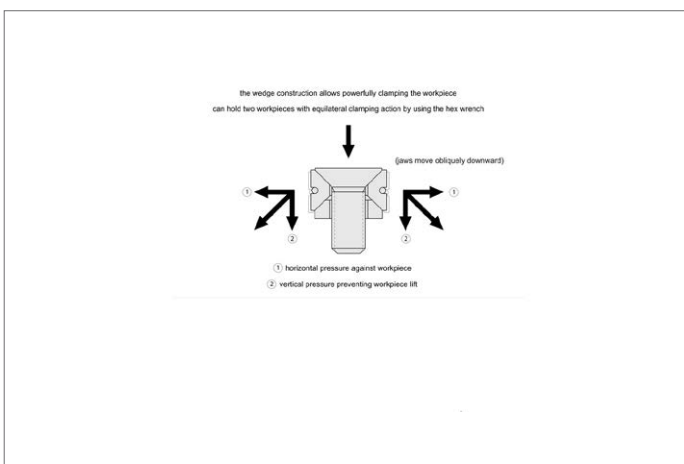
O-ring: fluoro rubber.

Technical Notes

Compact design for clamping of multiple workpieces. Wedge construction results in powerful clamping and holding of two workpieces with equal clamping force.

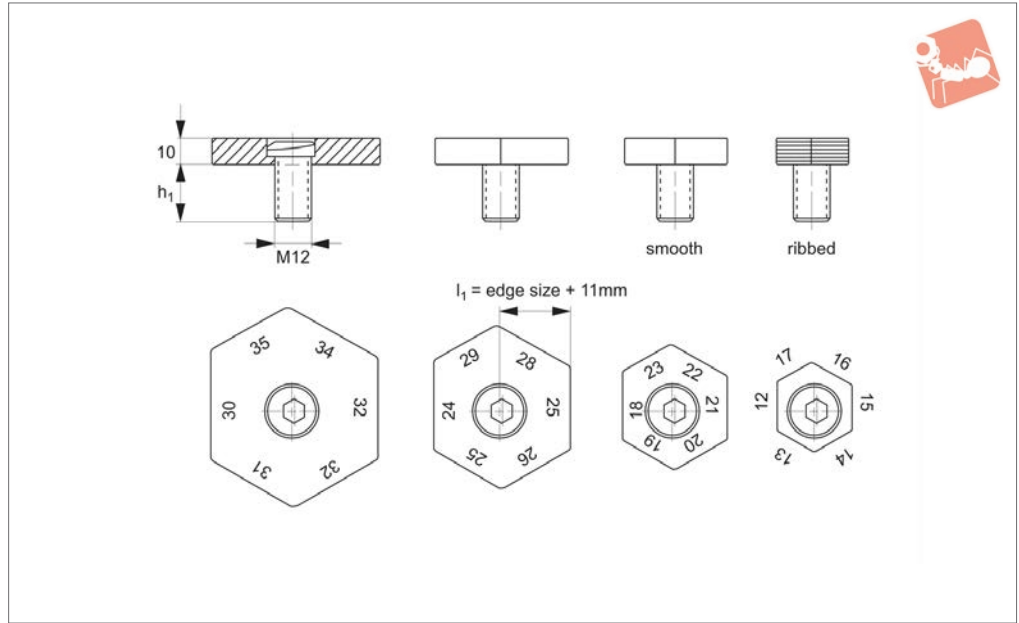
Provides both downward and side clamping force.

Order No.	Type	l_1 min.	l_1 max.	h_1 min.	h_1 max.	h_2	h_3	w_1	w_2	w_3	d_1	A/F	Clamping force kN max.	Tightening force Nm max.	Weight g
12454.W0010	Countersunk	12,0	14,0	6,2	7,2	0,3	9,5	12,0	10	3,3	M 5x15	3	2,0	4,3	8
12454.W0012	Countersunk	15,0	17,0	7,5	8,5	0,2	9,3	14,8	12	4,0	M 6x16	4	3,5	7,3	13
12454.W0016	Countersunk	18,5	21,5	9,9	11,4	0,4	11,3	18,4	16	5,3	M 8x20	5	5,0	18,0	27
12454.W0110	Cap Head	12,0	14,0	6,2	7,2	6,2	9,6	12,0	10	3,3	M 5x15	4	3,0	5,4	9
12454.W0112	Cap Head	15,0	17,0	7,5	8,5	7,3	10,2	14,8	12	4,0	M 6x16	5	4,5	9,1	17
12454.W0116	Cap Head	18,5	21,5	9,9	11,4	9,8	14,9	18,4	16	5,3	M 8x20	6	9,0	22,0	30





12040



Material

Body: steel, hardened and blackened.
Screw: steel, eccentric, heat treated (10,9) and blackened.

Technical Notes

Hexagon clamps actuated by means of an

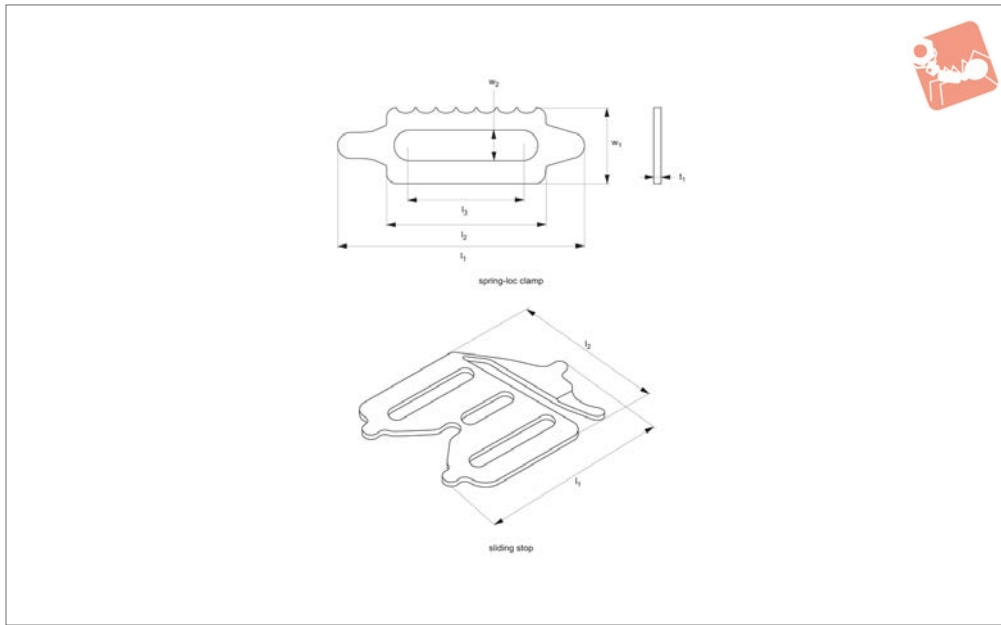
eccentric screw (provided). Available with either smooth or ribbed faces.

Tips

Max. clamping section is 25mm. Each of the clamp's faces increases the distance from the centre line by 1mm, thus work-

pieces of varying sizes can be held using just one clamp and is actuated by a simple rotation of the clamp face.
Reorder screw 12112.W0512.

Order No.	Finish	h ₁	l ₁	Clamp stroke	Clamping force kN max.	Weight g
12040.W0002	Clamp, smooth	22	12 - 17	2	18	100
12040.W0004	Clamp, smooth	22	18 - 23	2	18	132
12040.W0006	Clamp, smooth	22	24 - 29	2	18	204
12040.W0008	Clamp, smooth	22	30 - 35	2	18	299
12040.W0012	Clamp, ribbed	22	12 - 17	2	18	77
12040.W0014	Clamp, ribbed	22	18 - 23	2	18	132
12040.W0016	Clamp, ribbed	22	24 - 29	2	18	204
12040.W0018	Clamp, ribbed	22	30 - 35	2	18	299



12042

MULTI-CLAMPING SYSTEMS

Material

Stainless steel.

Technical Notes

Spring-loc clamp, extremely low profile

clamp capable of approx. 10lbs of pressure. A quick and flexible approach to holding parts during engraving or vision systems.

Order No.	Description	l_1	l_2	l_3	w_1	w_2	Qty/pack	Stroke s_1	Weight g
12042.W0100	Spring-Loc Clamp	76.2	63.5	-	-	-	2	1.83	113.0
12042.W0200	Sliding Stop	76.2	59.8	38.1	25.4	6.6	4	1.83	82.0

