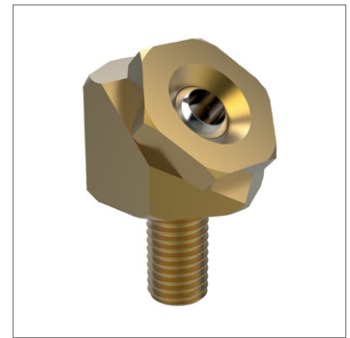
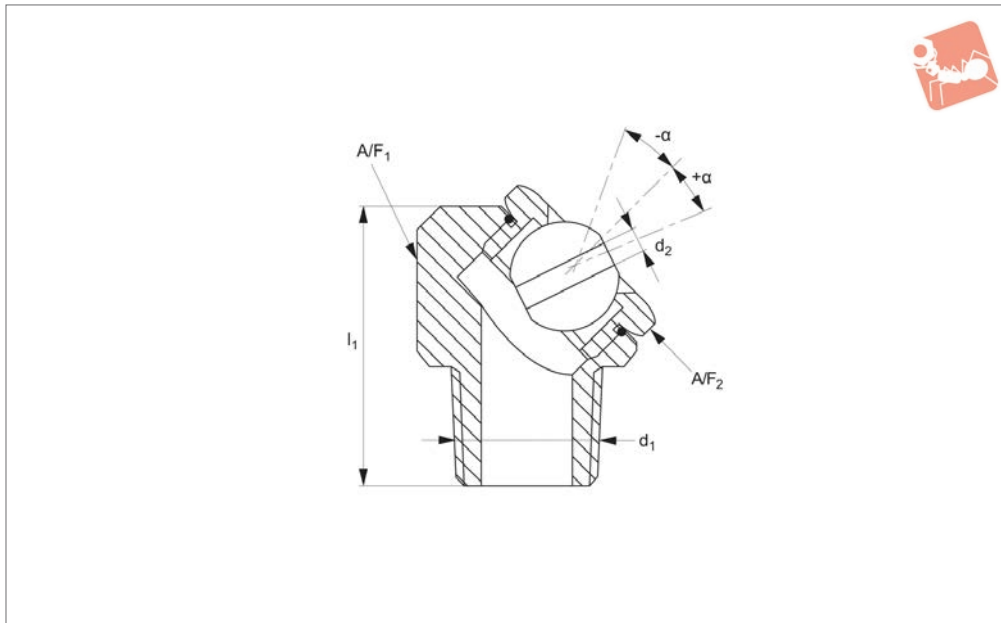




Pressure Max - Coolant Nozzles

angled - max. 100 bar

Coolant Nozzles



20100

COOLANT NOZZLES

Material

Body: brass or stainless steel.
Ball and tube: stainless steel.

Technical Notes

Max. temperature: 70°C.
Max. pressure: 100 bar.
symbol α /symbol is an angle of adjustment either side of centre line.

Choose the stainless steel body version when using cutting oils not compatible with brass (such as oils containing active sulphur).
Choose the brass versions for lower cost.

Tips

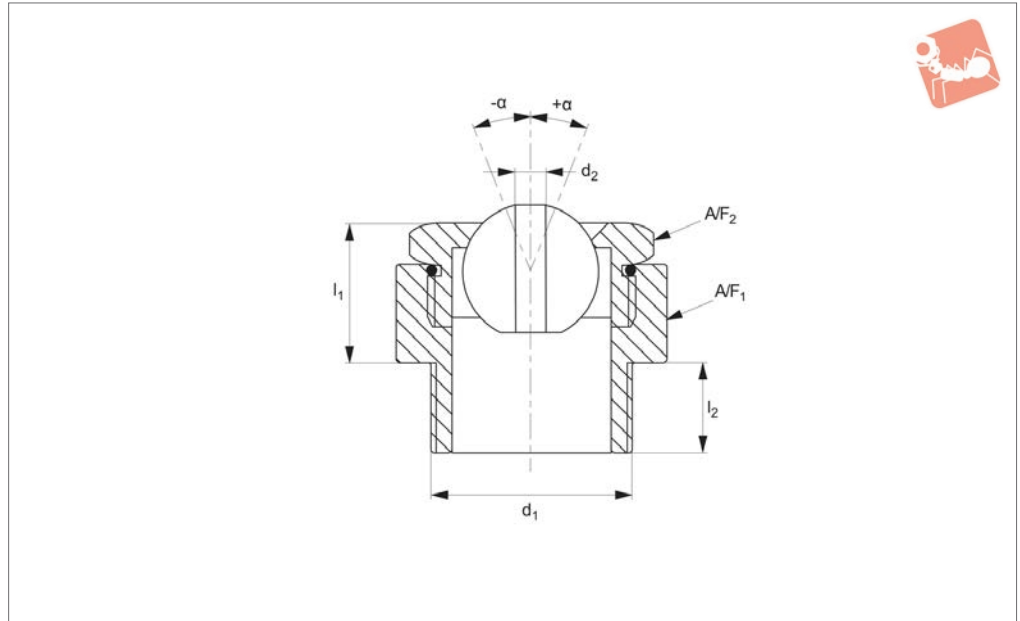
Interchangeable spray tips available allowing the orifice diameter and extension

length to be easily changed to suit the application.
A high velocity coolant stream increases productivity and tool life.
Also useful for low pressure applications where abrasive swarf can be a problem.

Order No.	Thread	Material	A/F ₁	d ₁	d ₂	l ₁	A/F ₂	α
20100.W2061-B	NPT/BSPT	Brass	7/16"	1/16"	2.2	17.5	3/8"	±36°
20100.W2120-B	NPT/BSPT	Brass	9/16"	1/8"	3.0	20.6	1/2"	±41°
20100.W2121-B	NPT/BSPT	Brass	9/16"	1/8"	4.0	20.6	1/2"	±30°
20100.W2250-B	NPT/BSPT	Brass	5/8"	1/4"	3.0	23.8	9/16"	±44°
20100.W2251-B	NPT/BSPT	Brass	5/8"	1/4"	4.0	23.8	9/16"	±36°
20100.W2310-B	UNF	Brass	7/16"	5/16"-24	1.6	17.5	3/8"	±40°
20100.W2311-B	UNF	Brass	7/16"	5/16"-24	2.2	17.5	3/8"	±36°
20100.W2370-B	NPT/BSPT	Brass	3/4"	3/8"	4.0	28.6	11/16"	±42°
20100.W2371-B	NPT/BSPT	Brass	3/4"	3/8"	5.6	28.6	11/16"	±34°
20100.W2060-S	NPT/BSPT	Stainless steel	7/16"	1/16"	1.6	17.5	3/8"	±40°
20100.W2061-S	NPT/BSPT	Stainless steel	7/16"	1/16"	2.2	17.5	3/8"	±36°
20100.W2120-S	NPT/BSPT	Stainless steel	9/16"	1/8"	3.0	20.6	1/2"	±41°
20100.W2121-S	NPT/BSPT	Stainless steel	9/16"	1/8"	4.0	20.6	1/2"	±30°
20100.W2250-S	NPT/BSPT	Stainless steel	5/8"	1/4"	3.0	23.8	9/16"	±44°
20100.W2251-S	NPT/BSPT	Stainless steel	5/8"	1/4"	4.0	23.8	9/16"	±36°
20100.W2310-S	UNF	Stainless steel	7/16"	5/16"-24	1.6	17.5	3/8"	±40°
20100.W2311-S	UNF	Stainless steel	7/16"	5/16"-24	2.2	17.5	3/8"	±36°
20100.W2370-S	NPT/BSPT	Stainless steel	3/4"	3/8"	4.0	28.6	11/16"	±42°
20100.W2371-S	NPT/BSPT	Stainless steel	3/4"	3/8"	5.6	28.6	11/16"	±34°



20101



Material

Body: stainless steel.
Ball: stainless steel.

Technical Notes

Max. temperature: 70°C.
Max. pressure: 100 bar.
symbol α /symbol is an angle of adjustment

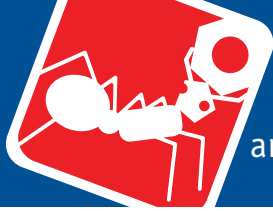
either side of centre line.
Choose the stainless steel body version when using cutting oils not compatible with brass (such as oils containing active sulphur).

Tips

Interchangeable spray tips available allo-

wing the orifice diameter and extension length to be easily changed to suit the application.
A high velocity coolant stream increases productivity and tool life.
Also useful for low pressure applications where abrasive swarf can be a problem.

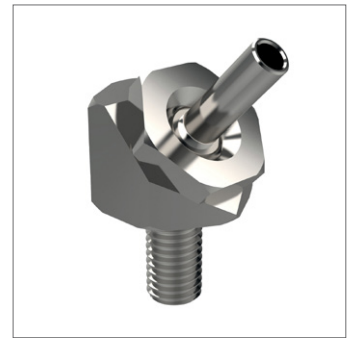
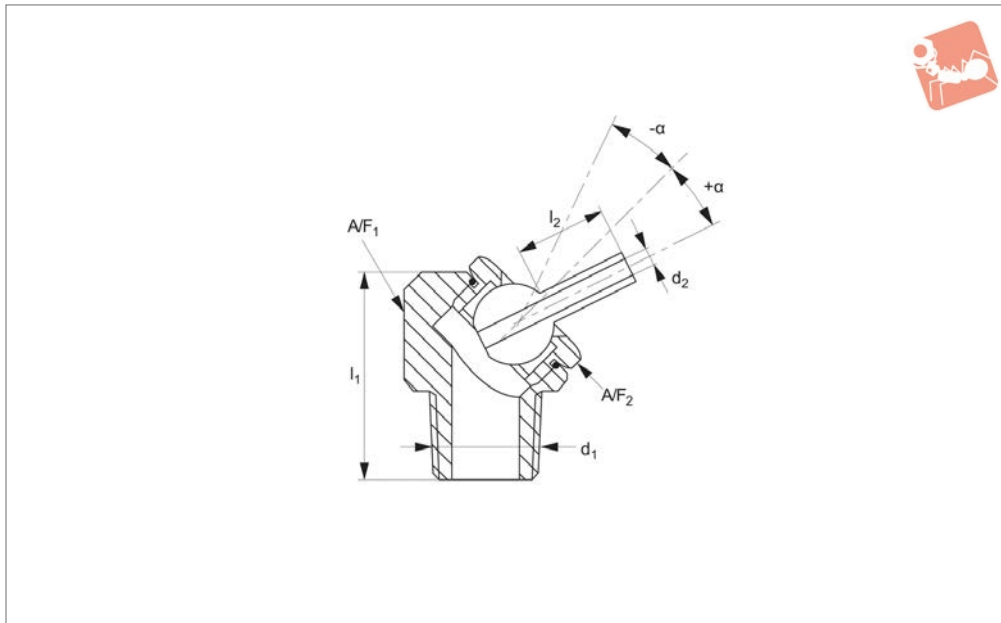
Order No.	Type	A/F ₁	d ₁	d ₂	l ₁	l ₂	A/F ₂	α
20101.W0100	Metric fine	7/16"	M10x1,25	1.6	9.5	9.1	3/8"	±40°
20101.W0101	Metric fine	7/16"	M10x1,25	2.2	9.5	9.1	3/8"	±36°
20101.W1060	Metric coarse	7/16"	M 6x1,00	1.6	9.5	7.6	3/8"	±40°
20101.W1061	Metric coarse	7/16"	M 6x1,00	2.2	9.5	7.6	3/8"	±36°
20101.W1080	Metric coarse	7/16"	M 8x1,25	1.6	9.5	8.4	3/8"	±40°
20101.W1081	Metric coarse	7/16"	M 8x1,25	2.2	9.5	8.4	3/8"	±36°
20101.W1100	Metric coarse	7/16"	M10x1,50	1.6	9.5	9.1	3/8"	±40°
20101.W1101	Metric coarse	7/16"	M10x1,50	2.2	9.5	9.1	3/8"	±36°



Pressure Max - Coolant Nozzles

angled - with tube - max. 100 bar - stainless or brass

Coolant Nozzles



20102

COOLANT NOZZLES

Material

Body: stainless steel or brass.
Ball and tube: stainless steel.

Technical Notes

Max. temperature 70°C.
Max. pressure 100 bar.
symbol α / symbol is an angle of adjustment

either side of centre line.
Stainless steel version for use with cutting oils not compatible with brass.

Tips

Interchangeable spray tips available allowing the orifice diameter and extension

length to be easily changed to suit the application.
A high velocity coolant stream increases productivity and tool life.
Also useful for low pressure applications where abrasive swarf can be a problem.

Order No.	Thread	Body material	A/F ₁	d ₁	d ₂	l ₁	l ₂	A/F ₂	α
20102.W2060-S	NPT/BSPT	Stainless Steel	7/16"	1/16"	1.0	11/16"	6.4	3/8"	±34°
20102.W2061-S	NPT/BSPT	Stainless Steel	7/16"	1/16"	1.6	11/16"	6.4	3/8"	±34°
20102.W2120-S	NPT/BSPT	Stainless Steel	9/16"	1/8"	1.0	20.6	6.4	1/2"	±37°
20102.W2121-S	NPT/BSPT	Stainless Steel	9/16"	1/8"	1.6	20.6	6.4	1/2"	±37°
20102.W2122-S	NPT/BSPT	Stainless Steel	9/16"	1/8"	1.6	20.6	31.7	1/2"	±26°
20102.W2123-S	NPT/BSPT	Stainless Steel	9/16"	1/8"	2.2	20.6	6.4	1/2"	±37°
20102.W2124-S	NPT/BSPT	Stainless Steel	9/16"	1/8"	2.2	20.6	31.7	1/2"	±26°
20102.W2125-S	NPT/BSPT	Stainless Steel	9/16"	1/8"	3.0	20.6	6.4	1/2"	±30°
20102.W2126-S	NPT/BSPT	Stainless Steel	9/16"	1/8"	3.0	20.6	31.7	1/2"	±26°
20102.W2250-S	NPT/BSPT	Stainless Steel	5/8"	1/4"	1.0	23.8	6.4	9/16"	±36°
20102.W2251-S	NPT/BSPT	Stainless Steel	5/8"	1/4"	1.6	23.8	6.4	9/16"	±36°
20102.W2252-S	NPT/BSPT	Stainless Steel	5/8"	1/4"	1.6	23.8	31.7	9/16"	±32°
20102.W2253-S	NPT/BSPT	Stainless Steel	5/8"	1/4"	2.2	23.8	6.4	9/16"	±36°
20102.W2254-S	NPT/BSPT	Stainless Steel	5/8"	1/4"	2.2	23.8	31.7	9/16"	±32°
20102.W2255-S	NPT/BSPT	Stainless Steel	5/8"	1/4"	3.0	23.8	6.4	9/16"	±36°
20102.W2256-S	NPT/BSPT	Stainless Steel	5/8"	1/4"	3.0	23.8	12.7	9/16"	±36°
20102.W2257-S	NPT/BSPT	Stainless Steel	5/8"	1/4"	3.0	23.8	31.7	9/16"	±32°
20102.W2258-S	NPT/BSPT	Stainless Steel	5/8"	1/4"	4.0	23.8	12.7	9/16"	±32°
20102.W2259-S	NPT/BSPT	Stainless Steel	5/8"	1/4"	4.0	23.8	31.7	9/16"	±32°
20102.W2310-S	UNF	Stainless Steel	7/16"	5/16"-24	1.0	11/16"	6.4	3/8"	±34°
20102.W2311-S	UNF	Stainless Steel	7/16"	5/16"-24	1.6	11/16"	6.4	3/8"	±34°
20102.W2370-S	NPT/BSPT	Stainless Steel	3/4"	3/8"	1.6	28.6	9.86	11/16"	±40°
20102.W2371-S	NPT/BSPT	Stainless Steel	3/4"	3/8"	1.6	28.6	31.7	11/16"	±40°
20102.W2372-S	NPT/BSPT	Stainless Steel	3/4"	3/8"	2.2	28.6	9.80	11/16"	±40°
20102.W2373-S	NPT/BSPT	Stainless Steel	3/4"	3/8"	2.2	28.6	31.7	11/16"	±40°
20102.W2374-S	NPT/BSPT	Stainless Steel	3/4"	3/8"	3.0	28.6	12.7	11/16"	±40°
20102.W2375-S	NPT/BSPT	Stainless Steel	3/4"	3/8"	3.0	28.6	31.7	11/16"	±40°
20102.W2376-S	NPT/BSPT	Stainless Steel	3/4"	3/8"	4.0	28.6	12.7	11/16"	±40°
20102.W2377-S	NPT/BSPT	Stainless Steel	3/4"	3/8"	4.0	28.6	31.7	11/16"	±40°
20102.W2379-S	NPT/BSPT	Stainless Steel	3/4"	3/8"	5.0	28.6	12.7	11/16"	±34°



COOLANT NOZZLES

Order No.	Thread	Body material	A/F ₁	d ₁	d ₂	l ₁	l ₂	A/F ₂	α
20102.W2380-S	NPT/BSPT	Stainless Steel	3/4"	3/8"	5.6	28.6	12.7	11/16"	±34°
20102.W2381-S	NPT/BSPT	Stainless Steel	3/4"	3/8"	5.6	28.6	31.7	11/16"	±34°
20102.W2060-B	NPT/BSPT	Brass	7/16"	1/16"	1.0	11/16"	6.4	3/8"	±34°
20102.W2061-B	NPT/BSPT	Brass	7/16"	1/16"	1.6	11/16"	6.4	3/8"	±34°
20102.W2120-B	NPT/BSPT	Brass	9/16"	1/8"	1.0	20.6	6.4	1/2"	±37°
20102.W2121-B	NPT/BSPT	Brass	9/16"	1/8"	1.6	20.6	6.4	1/2"	±37°
20102.W2122-B	NPT/BSPT	Brass	9/16"	1/8"	1.6	20.6	31.7	1/2"	±26°
20102.W2123-B	NPT/BSPT	Brass	9/16"	1/8"	2.2	20.6	6.4	1/2"	±37°
20102.W2124-B	NPT/BSPT	Brass	9/16"	1/8"	2.2	20.6	31.7	1/2"	±26°
20102.W2125-B	NPT/BSPT	Brass	9/16"	1/8"	3.0	20.6	6.4	1/2"	±30°
20102.W2126-B	NPT/BSPT	Brass	9/16"	1/8"	3.0	20.6	31.7	1/2"	±26°
20102.W2250-B	NPT/BSPT	Brass	5/8"	1/4"	1.0	23.8	6.4	9/16"	±36°
20102.W2251-B	NPT/BSPT	Brass	5/8"	1/4"	1.6	23.8	6.4	9/16"	±36°
20102.W2252-B	NPT/BSPT	Brass	5/8"	1/4"	1.6	23.8	31.7	9/16"	±32°
20102.W2253-B	NPT/BSPT	Brass	5/8"	1/4"	2.2	23.8	6.4	9/16"	±36°
20102.W2254-B	NPT/BSPT	Brass	5/8"	1/4"	2.2	23.8	31.7	9/16"	±32°
20102.W2255-B	NPT/BSPT	Brass	5/8"	1/4"	3.0	23.8	6.4	9/16"	±36°
20102.W2256-B	NPT/BSPT	Brass	5/8"	1/4"	3.0	23.8	12.7	9/16"	±36°
20102.W2257-B	NPT/BSPT	Brass	5/8"	1/4"	3.0	23.8	31.7	9/16"	±32°
20102.W2258-B	NPT/BSPT	Brass	5/8"	1/4"	4.0	23.8	12.7	9/16"	±32°
20102.W2259-B	NPT/BSPT	Brass	5/8"	1/4"	4.0	23.8	31.7	9/16"	±32°
20102.W2310-B	UNF	Brass	7/16"	5/16"-24	1.0	11/16"	6.4	3/8"	±34°
20102.W2311-B	UNF	Brass	7/16"	5/16"-24	1.6	11/16"	6.4	3/8"	±34°
20102.W2370-B	NPT/BSPT	Brass	3/4"	3/8"	1.6	28.6	9.8	11/16"	±40°
20102.W2371-B	NPT/BSPT	Brass	3/4"	3/8"	1.6	28.6	31.7	11/16"	±40°
20102.W2372-B	NPT/BSPT	Brass	3/4"	3/8"	2.2	28.6	9.8	11/16"	±40°
20102.W2373-B	NPT/BSPT	Brass	3/4"	3/8"	2.2	28.6	31.7	11/16"	±40°
20102.W2374-B	NPT/BSPT	Brass	3/4"	3/8"	3.0	28.6	12.7	11/16"	±40°
20102.W2375-B	NPT/BSPT	Brass	3/4"	3/8"	3.0	28.6	31.7	11/16"	±40°
20102.W2376-B	NPT/BSPT	Brass	3/4"	3/8"	4.0	28.6	12.7	11/16"	±40°
20102.W2377-B	NPT/BSPT	Brass	3/4"	3/8"	4.0	28.6	31.7	11/16"	±40°
20102.W2378-B	NPT/BSPT	Brass	3/4"	3/8"	5.0	28.6	12.7	11/16"	±34°
20102.W2380-B	NPT/BSPT	Brass	3/4"	3/8"	5.6	28.6	12.7	11/16"	±34°
20102.W2381-B	NPT/BSPT	Brass	3/4"	3/8"	5.6	28.6	31.7	11/16"	±34°

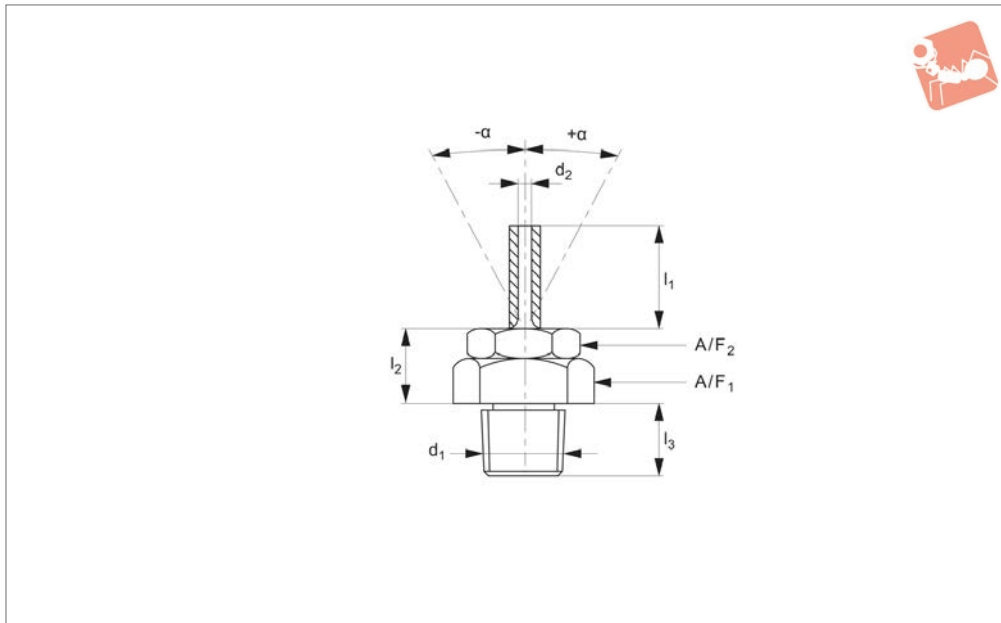




Pressure Max. - Coolant Nozzles

straight - with tube - max. 100 bar

Coolant Nozzles



20103

COOLANT NOZZLES

Material

Stainless steel body, ball and tube.

Technical Notes

Max. temperature: 70°C.

Max. pressure: 100 bar.

symbol α / symbol is an angle of adjustment

either side of centre line.

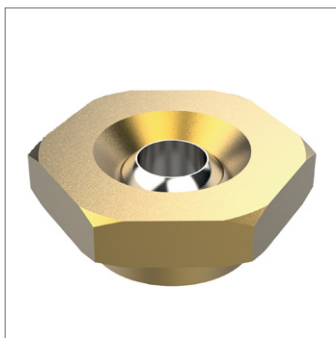
Tips

Interchangeable spray tips available allowing the orifice diameter and extension length to be easily changed to suit the application.

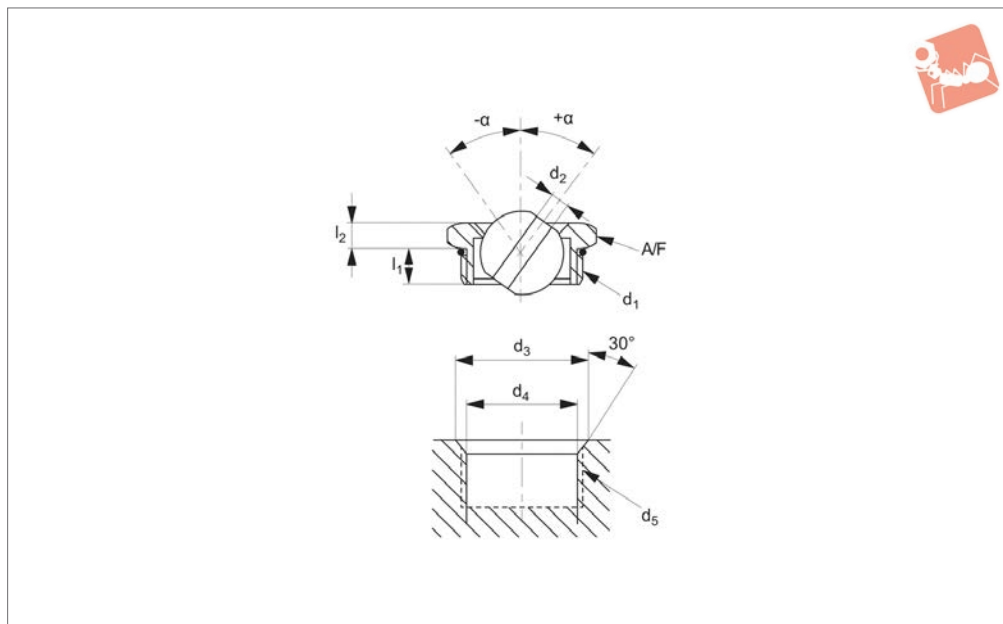
A high velocity coolant stream increases productivity and tool life.

Also useful for low pressure applications where abrasive swarf can be a problem.

Order No.	Type	A/F ₁	d ₁	d ₂	l ₁	l ₂	l ₃	A/F ₂	α
20103.W0100	Metric Fine	7/16"	M10x1,25	1.0	6.4	9.5	9.2	3/8"	±34°
20103.W0101	Metric Fine	7/16"	M10x1,25	1.6	6.4	9.5	9.1	3/8"	±34°
20103.W1060	Metric Coarse	7/16"	M 6x1,00	1.0	6.4	9.5	7.6	3/8"	±34°
20103.W1061	Metric Coarse	7/16"	M 6x1,00	1.6	6.4	9.5	7.6	3/8"	±34°
20103.W1080	Metric Coarse	7/16"	M 8x1,25	1.0	6.4	9.5	8.4	3/8"	±34°
20103.W1081	Metric Coarse	7/16"	M 8x1,25	1.6	6.4	9.5	8.6	3/8"	±34°
20103.W1100	Metric Coarse	7/16"	M10x1,50	1.0	6.4	9.5	9.1	3/8"	±34°
20103.W1101	Metric Coarse	7/16"	M10x1,50	1.6	6.4	9.5	9.1	3/8"	±34°



20104



Material

Body: brass or stainless steel.
Ball and tube: stainless steel.

Technical Notes

Max. temperature: 70°C.
Max. pressure: 100 bar.
symbola/symbol is an angle of adjustment either side of centre line.
Choose the stainless steel body version

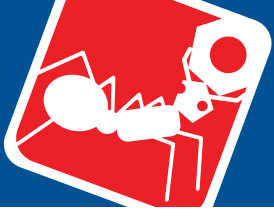
when using cutting oils not compatible with brass (such as oils containing active sulphur).
Choose the brass versions for lower cost.

Tips

Interchangeable spray tips available allowing the orifice diameter and extension

length to be easily changed to suit the application.
A high velocity coolant stream increases productivity and tool life.
Also useful for low pressure applications where abrasive swarf can be a problem.

Order No.	Body material	d ₁	d ₂	d ₃ max.	d ₄ max.	d ₅	l ₁	l ₂	A/F	α
20104.W2310-B	Brass	5/16"-24 UNF	1.6	8.8	7.1	5/16"-24	3.5	2.3	3/8"	±40°
20104.W2311-B	Brass	5/16"-24 UNF	2.2	8.8	7.1	5/16"-24	3.5	2.3	3/8"	±36°
20104.W2440-B	Brass	7/16"-20 UNF	3.0	12.0	10.0	7/16"-20	4.0	2.3	1/2"	±41°
20104.W2441-B	Brass	7/16"-20 UNF	4.0	12.0	10.1	7/16"-20	4.0	2.3	1/2"	±30°
20104.W2500-B	Brass	1/2"-20 UNF	3.0	13.6	11.6	1/2"-20	4.0	2.3	9/16"	±44°
20104.W2501-B	Brass	1/2"-20 UNF	4.0	13.6	11.7	1/2"-20	4.0	2.3	9/16"	±36°
20104.W2630-B	Brass	5/8"-18 UNF	4.0	16.8	14.7	5/8"-18	5.3	2.3	11/16"	±42°
20104.W2631-B	Brass	5/8"-18 UNF	5.6	16.8	14.7	5/8"-18	5.3	2.3	11/16"	±34°
20104.W2310-S	Stainless Steel	5/16"-24 UNF	1.6	8.8	7.1	5/16"-24	3.5	2.3	3/8"	±40°
20104.W2311-S	Stainless Steel	5/16"-24 UNF	2.2	8.8	7.1	5/16"-24	3.5	2.3	3/8"	±36°
20104.W2440-S	Stainless Steel	7/16"-20 UNF	3.0	12.0	10.1	7/16"-20	4.0	2.3	1/2"	±41°
20104.W2441-S	Stainless Steel	7/16"-20 UNF	4.0	12.0	10.1	7/16"-20	4.0	2.3	1/2"	±30°
20104.W2500-S	Stainless Steel	1/2"-20 UNF	3.0	13.6	11.7	1/2"-20	4.0	2.3	9/16"	±44°
20104.W2501-S	Stainless Steel	1/2"-20 UNF	4.0	13.6	11.7	1/2"-20	4.0	2.3	9/16"	±36°
20104.W2630-S	Stainless Steel	5/8"-18 UNF	4.0	16.8	14.7	5/8"-18	5.3	2.3	11/16"	±42°
20104.W2631-S	Stainless Steel	5/8"-18 UNF	5.6	16.8	14.7	5/8"-18	5.3	2.3	11/16"	±34°

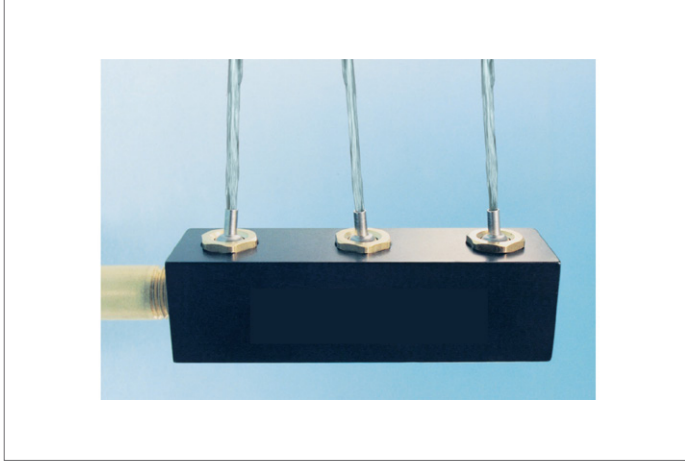


Pressure Max - Spray Tips

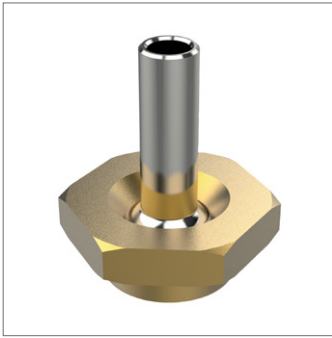
max. 100 bar



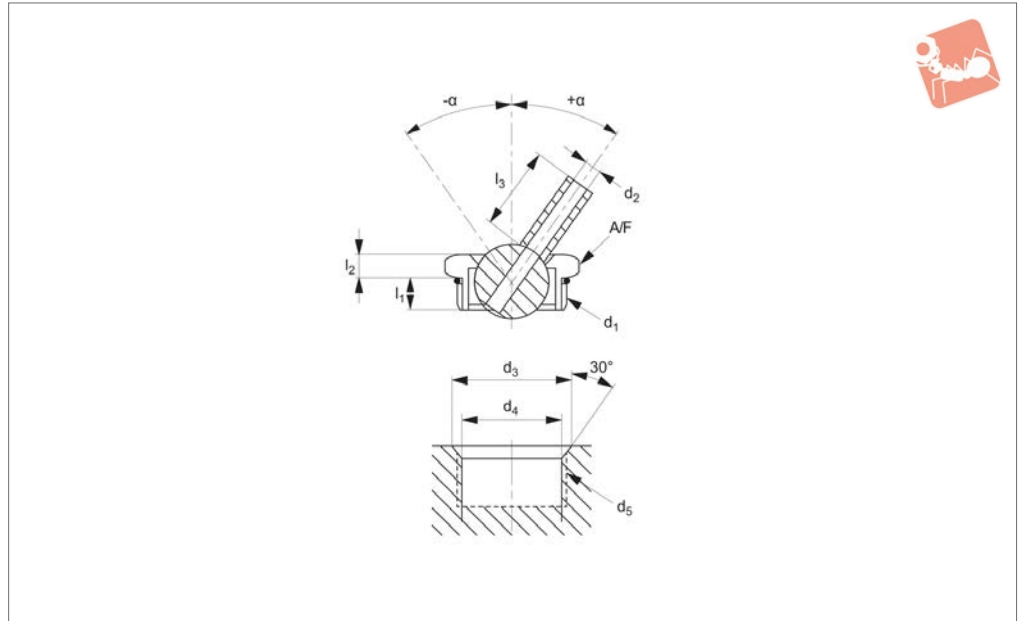
Coolant Nozzles



COOLANT NOZZLES



20106



Material

Body: stainless or brass.
Ball and tube: stainless steel.

Technical Notes

Max. temperature: 70°C.
Max. pressure: 100 bar.
symbol α /symbol is an angle of adjustment

either side of centre line.
Lower cost brass version.
Stainless steel version available when using cutting oils not compatible with brass.

Tips

Interchangeable spray tips available allo-

wing the orifice diameter and extension length to be easily changed to suit the application.

A high velocity coolant stream increases productivity and tool life.
Also useful for low pressure applications where abrasive swarf can be a problem.

Order No.	Body material	d ₁	d ₂	d ₃ max.	d ₄ max.	d ₅	l ₁	l ₂	l ₃	A/F	α
20106.W2310-B	Brass	5/16"-24 UNF	1.0	8.8	7.1	5/16"-24	3.5	2.3	6.4	3/8"	±34°
20106.W2311-B	Brass	5/16"-24 UNF	1.6	8.8	7.1	5/16"-24	3.5	2.3	6.4	3/8"	±34°
20106.W2440-B	Brass	7/16"-20 UNF	1.0	12.0	10.1	7/16"-20	4.0	2.3	6.4	1/2"	±37°
20106.W2441-B	Brass	7/16"-20 UNF	1.6	12.0	10.1	7/16"-20	4.0	2.3	6.4	1/2"	±37°
20106.W2442-B	Brass	7/16"-20 UNF	1.6	12.0	10.1	7/16"-20	4.0	2.3	31.7	1/2"	±26°
20106.W2443-B	Brass	7/16"-20 UNF	2.2	12.0	10.1	7/16"-20	4.0	2.3	6.4	1/2"	±37°
20106.W2444-B	Brass	7/16"-20 UNF	2.2	12.0	10.1	7/16"-20	4.0	2.3	31.7	1/2"	±26°
20106.W2445-B	Brass	7/16"-20 UNF	3.0	12.0	10.0	7/16"-20	4.0	2.3	6.4	1/2"	±30°
20106.W2446-B	Brass	7/16"-20 UNF	3.0	12.0	10.1	7/16"-20	4.0	2.3	31.7	1/2"	±26°
20106.W2500-B	Brass	1/2"-20 UNF	1.0	13.6	11.7	1/2"-20	4.0	2.3	6.4	9/16"	±36°
20106.W2501-B	Brass	1/2"-20 UNF	1.6	13.6	11.7	1/2"-20	4.0	2.3	6.4	9/16"	±36°
20106.W2502-B	Brass	1/2"-20 UNF	1.6	13.6	11.7	1/2"-20	4.0	2.3	31.7	9/16"	±32°
20106.W2503-B	Brass	1/2"-20 UNF	2.2	13.6	11.7	1/2"-20	4.0	2.3	6.4	9/16"	±36°
20106.W2504-B	Brass	1/2"-20 UNF	2.2	13.6	11.7	1/2"-20	4.0	2.3	31.7	9/16"	±32°
20106.W2505-B	Brass	1/2"-20 UNF	3.0	13.6	11.7	1/2"-20	4.0	2.3	6.4	9/16"	±36°
20106.W2506-B	Brass	1/2"-20 UNF	3.0	13.6	11.7	1/2"-20	4.0	2.3	12.7	9/16"	±36°
20106.W2507-B	Brass	1/2"-20 UNF	3.0	13.6	11.7	1/2"-20	4.0	2.3	31.7	9/16"	±32°
20106.W2508-B	Brass	1/2"-20 UNF	4.0	13.6	11.7	1/2"-20	4.0	2.3	12.7	9/16"	±32°
20106.W2509-B	Brass	1/2"-20 UNF	4.0	13.6	11.7	1/2"-20	4.0	2.3	31.7	9/16"	±32°
20106.W2630-B	Brass	5/8"-18 UNF	1.6	16.8	14.7	5/8"-18	5.3	2.3	9.7	11/16"	±40°
20106.W2631-B	Brass	5/8"-18 UNF	1.6	16.8	14.7	5/8"-18	5.3	2.3	31.7	11/16"	±40°
20106.W2632-B	Brass	5/8"-18 UNF	2.2	16.8	14.7	5/8"-18	5.3	2.3	9.7	11/16"	±40°
20106.W2633-B	Brass	5/8"-18 UNF	2.2	16.8	14.7	5/8"-18	5.3	2.3	31.7	11/16"	±42°
20106.W2634-B	Brass	5/8"-18 UNF	3.0	16.8	14.7	5/8"-18	5.3	2.3	12.7	11/16"	±40°
20106.W2635-B	Brass	5/8"-18 UNF	3.0	16.8	14.7	5/8"-18	5.3	2.3	31.7	11/16"	±40°
20106.W2636-B	Brass	5/8"-18 UNF	4.0	16.8	14.7	5/8"-18	5.3	2.3	12.7	11/16"	±40°
20106.W2637-B	Brass	5/8"-18 UNF	4.0	16.8	14.7	5/8"-18	5.3	2.3	31.7	11/16"	±40°
20106.W2638-B	Brass	5/8"-18 UNF	5.0	16.8	14.7	5/8"-18	5.3	2.3	12.7	11/16"	±34°
20106.W2639-B	Brass	5/8"-18 UNF	5.6	16.8	14.7	5/8"-18	5.3	2.3	12.7	11/16"	±34°
20106.W2640-B	Brass	5/8"-18 UNF	5.6	16.8	14.7	5/8"-18	5.3	2.3	31.7	11/16"	±34°



Pressure Max - Spray Tips - Brass

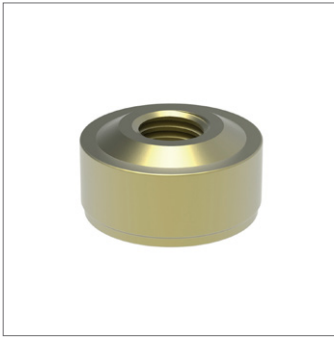
with tube - max. 100 bar



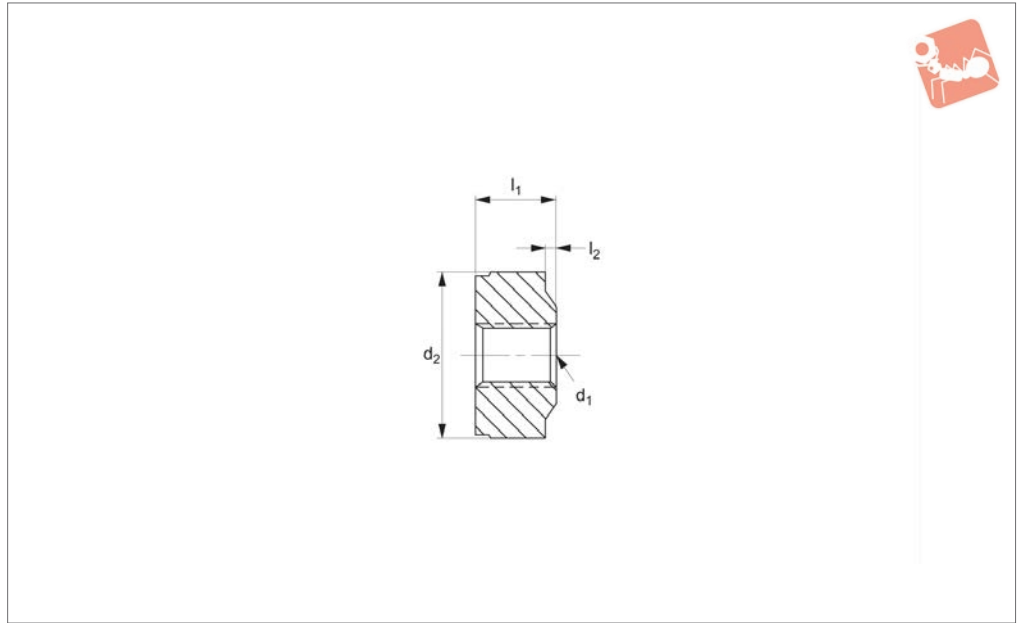
Coolant Nozzles

Order No.	Body material	d ₁	d ₂	d ₃ max.	d ₄ max.	d ₅	l ₁	l ₂	l ₃	A/F	α
20106.W2310-S	Stainless	5/16"-24 UNF	1.0	8.8	7.1	5/16"-24	3.5	2.3	6.4	3/8"	±34°
20106.W2311-S	Stainless	5/16"-24 UNF	1.6	8.8	7.1	5/16"-24	3.5	2.3	6.4	3/8"	±34°
20106.W2440-S	Stainless	7/16"-20 UNF	1.0	12.0	10.1	7/16"-20	4.0	2.3	6.4	1/2"	±37°
20106.W2441-S	Stainless	7/16"-20 UNF	1.6	12.0	10.1	7/16"-20	4.0	2.3	6.4	1/2"	±37°
20106.W2442-S	Stainless	7/16"-20 UNF	1.6	12.0	10.1	7/16"-20	4.0	2.3	31.7	1/2"	±26°
20106.W2443-S	Stainless	7/16"-20 UNF	2.2	12.0	10.0	7/16"-20	4.0	2.3	6.4	1/2"	±37°
20106.W2444-S	Stainless	7/16"-20 UNF	2.2	12.0	10.1	7/16"-20	4.0	2.3	31.7	1/2"	±26°
20106.W2445-S	Stainless	7/16"-20 UNF	3.0	12.0	10.1	7/16"-20	4.0	2.3	6.4	1/2"	±34°
20106.W2446-S	Stainless	7/16"-20 UNF	3.0	12.0	10.1	7/16"-20	4.0	2.3	31.7	1/2"	±26°
20106.W2500-S	Stainless	1/2"-20 UNF	1.0	13.6	11.7	1/2"-20	4.0	2.3	6.4	9/16"	±36°
20106.W2501-S	Stainless	1/2"-20 UNF	1.6	13.6	11.7	1/2"-20	4.0	2.3	6.4	9/16"	±36°
20106.W2502-S	Stainless	1/2"-20 UNF	1.6	13.6	11.7	1/2"-20	4.0	2.3	31.7	9/16"	±32°
20106.W2503-S	Stainless	1/2"-20 UNF	2.2	13.6	11.7	1/2"-20	4.0	2.3	6.4	9/16"	±36°
20106.W2504-S	Stainless	1/2"-20 UNF	2.2	13.6	11.7	1/2"-20	4.0	2.3	31.7	9/16"	±32°
20106.W2505-S	Stainless	1/2"-20 UNF	3.0	13.6	11.7	1/2"-20	4.0	2.3	6.4	9/16"	±36°
20106.W2506-S	Stainless	1/2"-20 UNF	3.0	13.6	11.7	1/2"-20	4.0	2.3	12.7	9/16"	±36°
20106.W2507-S	Stainless	1/2"-20 UNF	3.0	13.6	11.7	1/2"-20	4.0	2.3	31.7	9/16"	±32°
20106.W2508-S	Stainless	1/2"-20 UNF	4.0	13.6	11.7	1/2"-20	4.0	2.3	12.7	9/16"	±32°
20106.W2509-S	Stainless	1/2"-20 UNF	4.0	13.6	11.7	1/2"-20	4.0	2.3	31.7	9/16"	±32°
20106.W2630-S	Stainless	5/8"-18 UNF	1.6	16.7	14.7	5/8"-18	5.3	2.3	9.8	11/16"	±40°
20106.W2631-S	Stainless	5/8"-18 UNF	1.6	16.8	14.7	5/8"-18	5.3	2.3	31.7	11/16"	±40°
20106.W2632-S	Stainless	5/8"-18 UNF	2.2	16.8	14.7	5/8"-18	5.3	2.3	9.70	11/16"	±40°
20106.W2633-S	Stainless	5/8"-18 UNF	2.2	16.8	14.7	5/8"-18	5.3	2.3	31.7	11/16"	±40°
20106.W2634-S	Stainless	5/8"-18 UNF	3.0	16.8	14.7	5/8"-18	5.3	2.3	12.7	11/16"	±40°
20106.W2635-S	Stainless	5/8"-18 UNF	3.0	16.8	14.7	5/8"-18	5.3	2.3	31.7	11/16"	±40°
20106.W2636-S	Stainless	5/8"-18 UNF	4.0	16.8	14.7	5/8"-18	5.3	2.3	12.7	11/16"	±40°
20106.W2637-S	Stainless	5/8"-18 UNF	4.0	16.8	14.7	5/8"-18	5.3	2.3	31.7	11/16"	±40°
20106.W2638-S	Stainless	5/8"-18 UNF	5.0	16.8	14.7	5/8"-18	5.3	2.3	12.7	11/16"	±34°
20106.W2639-S	Stainless	5/8"-18 UNF	5.6	16.8	14.7	5/8"-18	5.3	2.3	12.7	11/16"	±34°
20106.W2640-S	Stainless	5/8"-18 UNF	5.6	16.8	14.7	5/8"-18	5.3	2.3	31.7	11/16"	±34°

COOLANT NOZZLES



20107



Material

Brass.

Max. pressure: 100 bar.
Converts low pressure screwball type parts
to high pressure fixed, threaded parts.
Hole tolerance for d_2 H9.

Technical Notes

Max. temperature: 150°C.

Order No.	d_1	d_2	l_1	l_2
20107.W6080	M 6x1,0	8	6.0	-
20107.W6100	M 6x1,0	10	6.0	-
20107.W6121	M 6x1,0	12	6.0	-
20107.W6141	M 6x1,0	14	7.1	1
20107.W6151	M 6x1,0	15	7.1	1
20107.W6161	M 6x1,0	16	7.1	1
20107.W6120	1/8" NPT/BSPT	12	6.0	-
20107.W6140	1/8" NPT/BSPT	14	6.0	-
20107.W6150	1/8" NPT/BSPT	15	6.0	-
20107.W6160	1/8" NPT/BSPT	16	6.0	-



Coolant Nozzles - Lock Jet

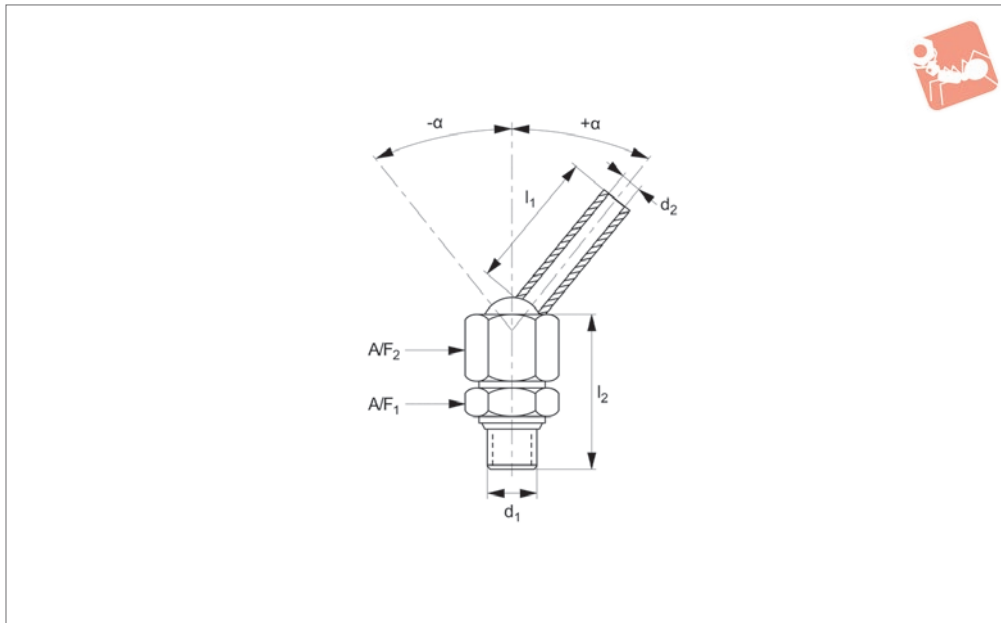
max. 100 bar

Coolant Nozzles



20108

COOLANT NOZZLES



Material

Body and nut: brass.
Ball and extension: stainless steel.
152,4mm long tubes brass/copper.

Technical Notes

Max. temperature: 150°C.

Max. pressure: 100 bar.
symbola/symbol is an angle of adjustment either side of centre line.
These units fit both NPT and BSPT ports.
Through tightening of nut A/F₂ these nozzles can be locked in position. Ideal for

applications where the nozzles could be knocked out of position.

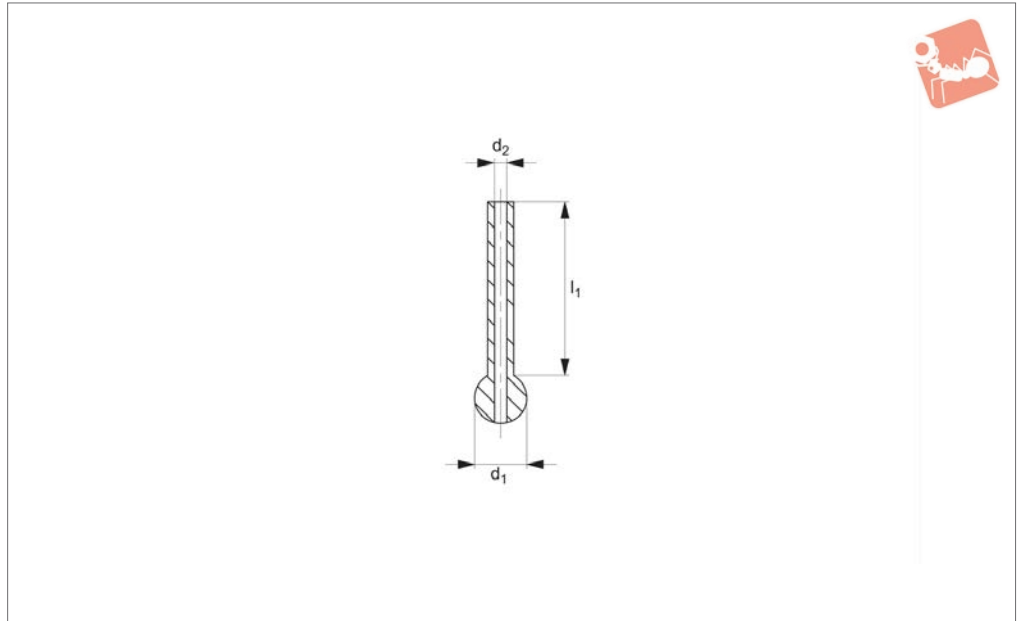
Tips

The balls and tube are easily interchangeable - see part no. 20109 for replacement balls and tubes.

Order No.	A/F ₁	d ₁	d ₂	l ₁	l ₂	A/F ₂	α
20108.W2120	1/2"	1/8"-NPT/BSPT	1.6	6.4	28.4	9/16"	±33°
20108.W2121	1/2"	1/8"-NPT/BSPT	1.6	31.7	28.4	9/16"	±28°
20108.W2122	1/2"	1/8"-NPT/BSPT	2.2	6.4	28.4	9/16"	±33°
20108.W2123	1/2"	1/8"-NPT/BSPT	2.2	31.7	28.4	9/16"	±28°
20108.W2124	1/2"	1/8"-NPT/BSPT	3.0	12.7	28.4	9/16"	±33°
20108.W2125	1/2"	1/8"-NPT/BSPT	3.0	31.7	28.4	9/16"	±28°
20108.W2126	1/2"	1/8"-NPT/BSPT	3.2	152.4	28.4	9/16"	±28°
20108.W2127	1/2"	1/8"-NPT/BSPT	4.0	12.7	28.4	9/16"	±28°
20108.W2128	1/2"	1/8"-NPT/BSPT	4.0	31.7	28.4	9/16"	±28°
20108.W2250	9/16"	1/4"-NPT/BSPT	1.6	9.7	31.2	5/8"	±33°
20108.W2251	9/16"	1/4"-NPT/BSPT	1.6	31.7	31.2	5/8"	±33°
20108.W2252	9/16"	1/4"-NPT/BSPT	2.2	9.7	31.2	5/8"	±33°
20108.W2253	9/16"	1/4"-NPT/BSPT	2.2	31.7	31.2	5/8"	±33°
20108.W2254	9/16"	1/4"-NPT/BSPT	3.0	12.7	31.2	5/8"	±33°
20108.W2255	9/16"	1/4"-NPT/BSPT	3.0	31.7	31.2	5/8"	±33°
20108.W2256	9/16"	1/4"-NPT/BSPT	3.2	152.4	31.2	5/8"	±33°
20108.W2257	9/16"	1/4"-NPT/BSPT	4.0	12.7	31.2	5/8"	±33°
20108.W2258	9/16"	1/4"-NPT/BSPT	4.0	31.7	31.2	5/8"	±33°
20108.W2259	9/16"	1/4"-NPT/BSPT	5.6	12.7	31.2	5/8"	±27°
20108.W2260	9/16"	1/4"-NPT/BSPT	5.6	31.7	31.2	5/8"	±27°
20108.W2370	13/16"	3/8"-NPT/BSPT	3.2	152.4	35.8	3/4"	±38°
20108.W2371	13/16"	3/8"-NPT/BSPT	4.0	19.0	35.8	3/4"	±33°
20108.W2372	13/16"	3/8"-NPT/BSPT	4.0	38.1	35.8	3/4"	±33°
20108.W2373	13/16"	3/8"-NPT/BSPT	4.8	152.4	35.8	3/4"	±33°
20108.W2374	13/16"	3/8"-NPT/BSPT	5.6	19.0	35.8	3/4"	±27°
20108.W2375	13/16"	3/8"-NPT/BSPT	5.6	38.1	35.8	3/4"	±27°
20108.W2376	13/16"	3/8"-NPT/BSPT	7.1	19.0	35.8	3/4"	±23°
20108.W2377	13/16"	3/8"-NPT/BSPT	7.1	38.1	35.8	3/4"	±23°



20109



Material

Ball: stainless steel.
Tube: copper.

Max. pressure: 100 bar.

To be used with part no. 20108 as replacement units, or to provide a wider range of use with a single lock jet unit.

Technical Notes

Max. temperature: 150°C.

Order No.	To suit lock jet of thread	d ₁	d ₂	l ₁
20109.W2370	1/8" - NPT/BSPT	9.5	1.6	6.4
20109.W2371	1/8" - NPT/BSPT	9.5	1.6	31.7
20109.W2372	1/8" - NPT/BSPT	9.5	2.2	6.4
20109.W2373	1/8" - NPT/BSPT	9.5	2.2	31.7
20109.W2374	1/8" - NPT/BSPT	9.5	3.0	12.7
20109.W2375	1/8" - NPT/BSPT	9.5	3.0	31.7
20109.W2376	1/8" - NPT/BSPT	9.5	4.0	12.7
20109.W2377	1/8" - NPT/BSPT	9.5	4.0	31.7
20109.W0120	1/4" - NPT/BSPT	12.0	1.6	9.7
20109.W0121	1/4" - NPT/BSPT	12.0	1.6	31.7
20109.W0122	1/4" - NPT/BSPT	12.0	2.2	9.7
20109.W0123	1/4" - NPT/BSPT	12.0	2.2	31.7
20109.W0124	1/4" - NPT/BSPT	12.0	3.0	12.7
20109.W0125	1/4" - NPT/BSPT	12.0	3.0	31.7
20109.W0126	1/4" - NPT/BSPT	12.0	4.0	12.7
20109.W0127	1/4" - NPT/BSPT	12.0	4.0	31.7
20109.W0128	1/4" - NPT/BSPT	12.0	5.6	12.7
20109.W0129	1/4" - NPT/BSPT	12.0	5.6	31.7
20109.W0150	3/8" - NPT/BSPT	15.0	4.0	19.0
20109.W0151	3/8" - NPT/BSPT	15.0	4.0	38.1
20109.W0152	3/8" - NPT/BSPT	15.0	5.6	19.0
20109.W0153	3/8" - NPT/BSPT	15.0	5.6	38.1
20109.W0154	3/8" - NPT/BSPT	15.0	7.1	19.0
20109.W0155	3/8" - NPT/BSPT	15.0	7.1	38.1