

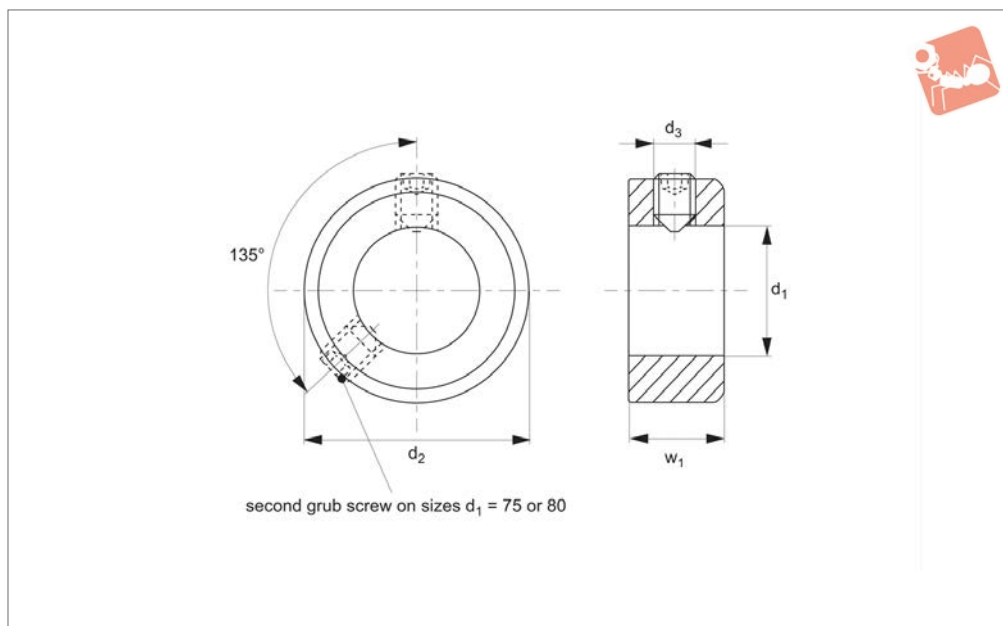


Set Collar

steel - blackened



Set Collars



38500

SET COLLARS

Material

Turned steel, blackened.

Technical Notes

Produced to DIN 705.

Grub screw fitted (either slotted or internal hex). Second grub screw fitted from size $d_1 = 75$.

Order No.	d_1 tol. H8	Fixing screw	d_2	d_3	w_1 tol. js14
38500.W0005	5	Slotted DIN 533	10	M 3x4	6
38500.W0006	6	Slotted DIN 533	10	M 3x4	6
38500.W0007	7	Slotted DIN 533	12	M 4x5	8
38500.W0008	8	Slotted DIN 533	12	M 4x5	8
38500.W0009	9	Slotted DIN 533	12	M 4x5	8
38500.W0010	10	Slotted DIN 533	12	M 4x5	8
38500.W0011	11	Slotted DIN 533	16	M 4x6	8
38500.W0012	12	Slotted DIN 533	16	M 4x6	8
38500.W0013	13	Slotted DIN 533	18	M 5x8	10
38500.W0014	14	Slotted DIN 533	18	M 5x8	10
38500.W0015	15	Slotted DIN 533	20	M 5x8	10
38500.W0016	16	Slotted DIN 533	20	M 5x8	10
38500.W0018	18	Slotted DIN 533	20	M 5x8	10
38500.W0020	20	Slotted DIN 533	20	M 5x8	10
38500.W0022	22	Slotted DIN 533	22	M 6x8	12
38500.W0024	24	Slotted DIN 533	22	M 6x8	12
38500.W0025	25	Slotted DIN 533	22	M 6x8	12
38500.W0026	26	Slotted DIN 533	22	M 6x8	12
38500.W0028	28	Slotted DIN 533	25	M 6x8	12
38500.W0030	30	Slotted DIN 533	25	M 6x8	12
38500.W0032	32	Slotted DIN 533	25	M 6x8	12
38500.W0034	34	Slotted DIN 533	25	M 6x8	12
38500.W0035	35	Slotted DIN 533	28	M 6x8	12
38500.W0036	36	Slotted DIN 533	28	M 6x8	12
38500.W0038	38	Slotted DIN 533	32	M 6x8	14
38500.W0040	40	Slotted DIN 533	32	M 6x8	14
38500.W0042	42	Slotted DIN 533	32	M 6x8	14
38500.W0045	45	Slotted DIN 533	32	M 6x8	14
38500.W0048	48	Slotted DIN 533	36	M 6x10	14
38500.W0050	50	Slotted DIN 533	36	M 6x10	14
38500.W0052	52	Slotted DIN 533	40	M 8x10	16
38500.W0055	55	Slotted DIN 533	40	M 8x10	16
38500.W0060	60	Slotted DIN 533	40	M 8x10	16
38500.W0065	65	Slotted DIN 533	40	M 8x10	16



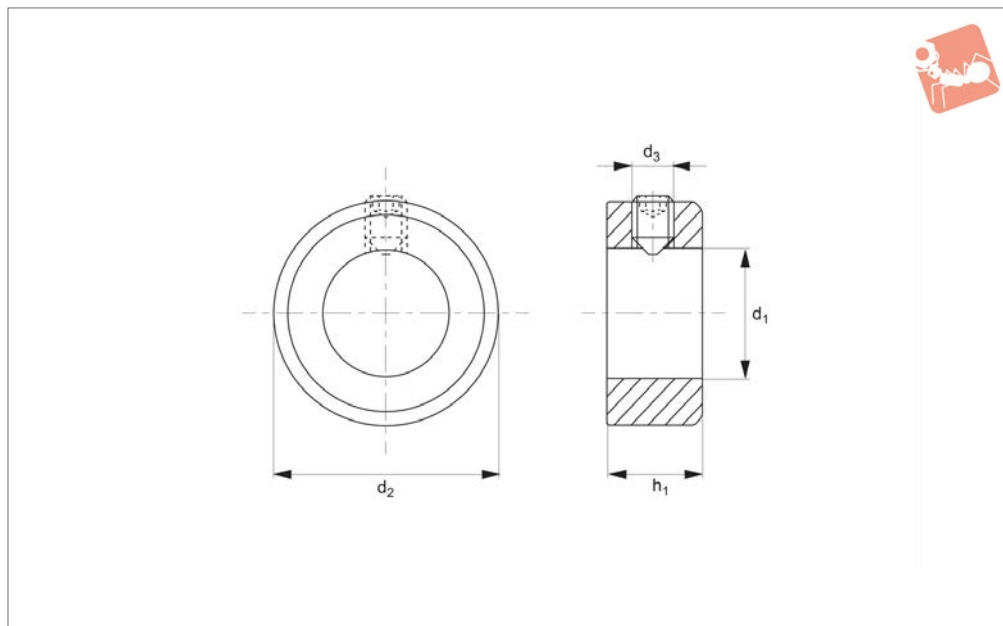
Order No.	d ₁ tol. H8	Fixing screw	d ₂	d ₃	w ₁ tol. js14
38500.W0070	70	Slotted DIN 533	40	M 8x10	16
38500.W0075	75	Slotted DIN 533	40	M 8x10	16
38500.W0080	80	Slotted DIN 533	45	M 8x12	16
38500.W0205	5	Hex DIN 914	45	M 8x12	16
38500.W0206	6	Hex DIN 914	45	M 8x10	16
38500.W0207	7	Hex DIN 914	45	M 8x10	16
38500.W0208	8	Hex DIN 914	50	M 8x12	16
38500.W0209	9	Hex DIN 914	50	M 8x12	16
38500.W0210	10	Hex DIN 914	50	M 8x12	16
38500.W0211	11	Hex DIN 914	50	M 8x12	16
38500.W0212	12	Hex DIN 914	56	M 8x12	16
38500.W0213	13	Hex DIN 914	56	M 8x12	16
38500.W0214	14	Hex DIN 914	56	M 8x12	16
38500.W0215	15	Hex DIN 914	56	M 8x12	16
38500.W0216	16	Hex DIN 914	56	M 8x12	16
38500.W0218	18	Hex DIN 914	56	M 8x12	16
38500.W0220	20	Hex DIN 914	63	M10x16	18
38500.W0222	22	Hex DIN 914	63	M10x16	18
38500.W0224	24	Hex DIN 914	63	M10x16	18
38500.W0225	25	Hex DIN 914	63	M10x16	18
38500.W0226	26	Hex DIN 914	70	M10x16	18
38500.W0228	28	Hex DIN 914	70	M10x16	18
38500.W0230	30	Hex DIN 914	70	M10x16	18
38500.W0232	32	Hex DIN 914	70	M10x16	18
38500.W0234	34	Hex DIN 914	80	M10x16	18
38500.W0235	35	Hex DIN 914	80	M10x16	18
38500.W0236	36	Hex DIN 914	80	M10x16	18
38500.W0238	38	Hex DIN 914	80	M10x16	18
38500.W0240	40	Hex DIN 914	80	M10x16	18
38500.W0242	42	Hex DIN 914	80	M10x16	18
38500.W0245	45	Hex DIN 914	90	M10x16	20
38500.W0248	48	Hex DIN 914	90	M10x16	20
38500.W0250	50	Hex DIN 914	100	M10x20	20
38500.W0252	52	Hex DIN 914	100	M10x20	20
38500.W0255	55	Hex DIN 914	100	M10x20	20
38500.W0260	60	Hex DIN 914	100	M10x20	20
38500.W0265	65	Hex DIN 914	110	M12x20	22
38500.W0270	70	Hex DIN 914	110	M12x20	22
38500.W0275	75	Hex DIN 914	110	M12x20	22
38500.W0280	80	Hex DIN 914	110	M12x20	22



Set Collar stainless steel



Set Collars



38600

SET COLLARS

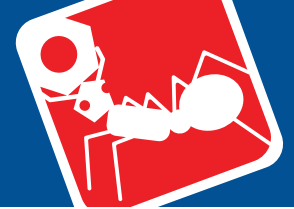
Material

Stainless steel (AISI 303, 1.4305).

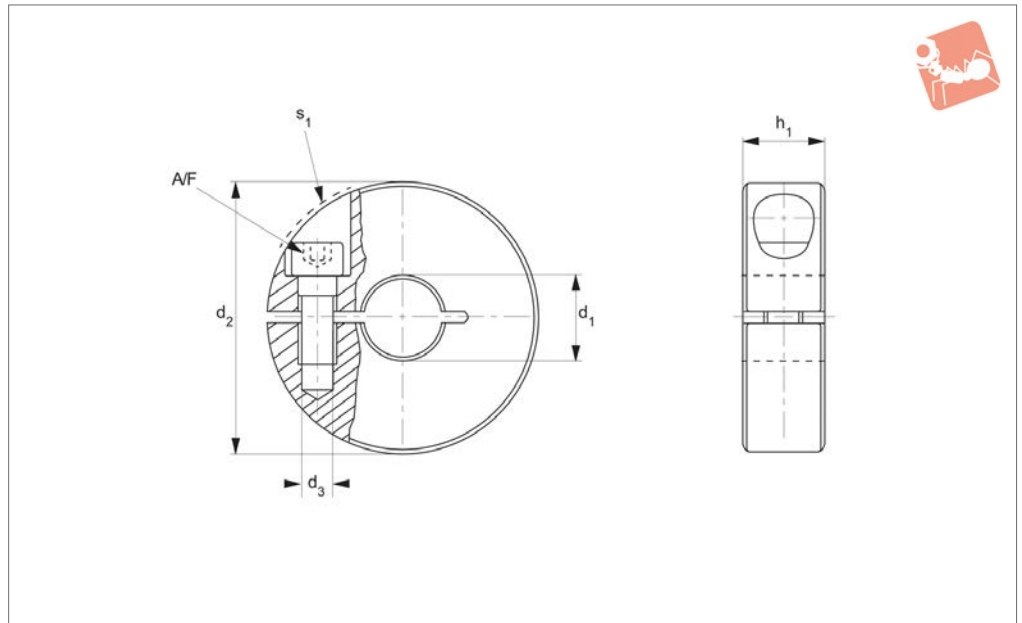
Technical Notes

Grub/set screw fitted and is supplied with the set collar. The screw has a hex drive.

Order No.	d_1 tol. H8	d_2	d_3	h_1
38600.W0005	5	10	M 3x4	6
38600.W0006	6	12	M 4x5	8
38600.W0008	8	16	M 4x6	8
38600.W0009	9	18	M 5x8	10
38600.W0010	10	20	M 5x8	10
38600.W0011	11	20	M 5x8	10
38600.W0012	12	22	M 6x8	12
38600.W0013	13	22	M 6x8	12
38600.W0014	14	25	M 6x8	12
38600.W0015	15	25	M 6x8	12
38600.W0016	16	28	M 6x8	12
38600.W0018	18	32	M 6x8	14
38600.W0020	20	32	M 6x8	14
38600.W0022	22	36	M 6x10	14
38600.W0024	24	40	M 8x12	16
38600.W0025	25	40	M 8x10	16
38600.W0026	26	40	M 8x10	16
38600.W0028	28	45	M 8x12	16
38600.W0030	30	45	M 8x10	16
38600.W0032	32	50	M 8x12	16
38600.W0034	34	50	M 8x12	16
38600.W0035	35	56	M 8x12	16
38600.W0036	36	56	M 8x12	16
38600.W0038	38	56	M 8x12	16
38600.W0040	40	63	M10x16	18
38600.W0045	45	70	M10x16	18
38600.W0050	50	80	M10x16	18



38620



Material

Steel type:

Steel, black, steam oxidized.

Stainless steel type:

Stainless steel (AISI 316, 1.4404).

Technical Notes

Slotted set collars with strong clamping

force. Universal applicability: e.g as a fixed collar. stop. The stainless steel type is extremely resistant to corrosive environments. Also available in divided finish - see part no. 38624.

Dimension s_1 indicates the max. stroke or movement of d_2 during tightening of the

Order No.	Material	d_1 tol. H10	d_2	d_3	h_1	A/F	Stroke s_1 max.	Weight g
38620.W0006	Steel	6	20	M 3	9	3	1.2	20
38620.W0008	Steel	8	22	M 3	9	3	1.0	18
38620.W0010	Steel	10	26	M 4	11	3	1.6	33
38620.W0012	Steel	12	30	M 4	11	3	0.7	42
38620.W0014	Steel	14	32	M 4	11	3	0.7	40
38620.W0015	Steel	15	36	M 5	13	4	1.4	73
38620.W0016	Steel	16	36	M 5	13	4	1.4	66
38620.W0018	Steel	18	42	M 5	15	4	0.6	120
38620.W0020	Steel	20	42	M 5	15	4	0.6	104
38620.W0022	Steel	22	48	M 5	15	4	0.0	139
38620.W0025	Steel	25	48	M 5	15	4	0.0	130
38620.W0028	Steel	28	55	M 6	15	5	0.5	171
38620.W0030	Steel	30	55	M 6	15	5	0.5	162
38620.W0032	Steel	32	60	M 6	15	5	0.4	196
38620.W0035	Steel	35	60	M 6	15	5	0.4	180
38620.W0040	Steel	40	65	M 6	15	5	0.5	183
38620.W0106	Stainless	6	20	M 3	9	3	1.2	20
38620.W0108	Stainless	8	22	M 3	9	3	1.0	18
38620.W0110	Stainless	10	26	M 4	11	3	1.6	33
38620.W0112	Stainless	12	30	M 4	11	3	0.7	42
38620.W0114	Stainless	14	32	M 4	11	3	0.7	40
38620.W0115	Stainless	15	36	M 5	13	4	1.4	73
38620.W0116	Stainless	16	36	M 5	13	4	1.4	66
38620.W0118	Stainless	18	42	M 5	15	4	0.6	120
38620.W0120	Stainless	20	42	M 5	15	4	0.6	104
38620.W0122	Stainless	22	48	M 5	15	4	0.0	139
38620.W0125	Stainless	25	48	M 5	15	4	0.0	130
38620.W0128	Stainless	28	55	M 6	15	5	0.5	171
38620.W0130	Stainless	30	55	M 6	15	5	0.5	162
38620.W0132	Stainless	32	60	M 6	15	5	0.4	196



Set Collars

one piece - slotted

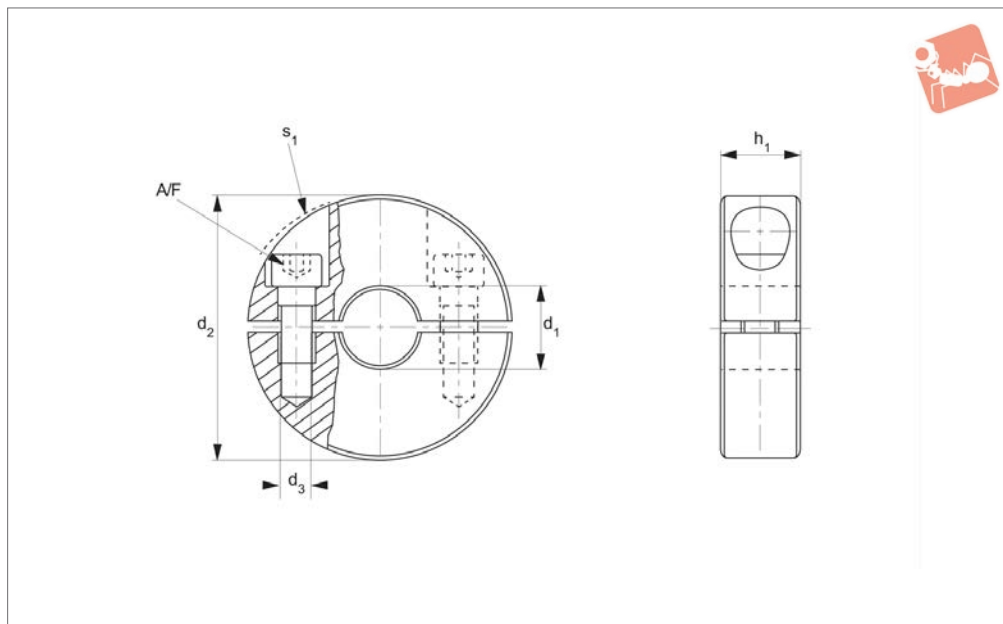


Set Collars

Order No.	Material	d_1 tol. H10	d_2	d_3	h_1	A/F	Stroke s_1 max.	Weight g
38620.W0135	Stainless	35	60	M 6	15	5	0.4	180
38620.W0140	Stainless	40	65	M 6	15	5	0.5	182



38624



Material

Steel type:

Steel, black, steam oxidized.

Stainless steel type:

Stainless steel (AISI 316, 1.4404).

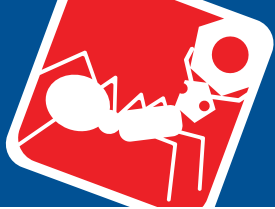
Technical Notes

Divided set collars with strong clamping

force. Universal applicability: e.g as a fixed collar. stop. The stainless steel type is extremely resistant to corrosive environments. Also available in slotted finish - see part no. 38620.

Dimension s_1 indicates the max. stroke or movement of d_2 during tightening of the

Order No.	Material	d_1 tol. H10	d_2	d_3	h_1	A/F	Stroke s_1 max.	Weight g
38624.W0206	Steel	6	20	M 3	9	3	1.2	18
38624.W0208	Steel	8	22	M 3	9	3	1.0	20
38624.W0210	Steel	10	26	M 4	11	3	1.6	20
38624.W0212	Steel	12	30	M 4	11	3	0.7	39
38624.W0214	Steel	14	32	M 4	11	3	0.7	43
38624.W0215	Steel	15	36	M 5	13	4	1.4	65
38624.W0216	Steel	16	36	M 5	13	4	1.4	64
38624.W0218	Steel	18	42	M 5	15	4	0.6	103
38624.W0220	Steel	20	42	M 5	15	4	0.6	100
38624.W0222	Steel	22	48	M 5	15	4	0.0	135
38624.W0225	Steel	25	48	M 5	15	4	0.0	125
38624.W0228	Steel	28	55	M 6	15	5	0.5	165
38624.W0230	Steel	30	55	M 6	15	5	0.5	156
38624.W0232	Steel	32	60	M 6	15	5	0.4	187
38624.W0235	Steel	35	60	M 6	15	5	0.4	170
38624.W0240	Steel	40	65	M 6	15	5	0.5	189
38624.W0306	Stainless	6	20	M 3	9	3	1.2	18
38624.W0308	Stainless	8	22	M 3	9	3	1.0	20
38624.W0310	Stainless	10	26	M 4	11	3	1.6	20
38624.W0312	Stainless	12	30	M 4	11	3	0.7	39
38624.W0314	Stainless	14	32	M 4	11	3	0.7	43
38624.W0315	Stainless	15	36	M 5	13	4	1.4	65
38624.W0316	Stainless	16	36	M 5	13	4	1.4	64
38624.W0318	Stainless	18	42	M 5	15	4	0.6	103
38624.W0320	Stainless	20	42	M 5	15	4	0.6	100
38624.W0322	Stainless	22	48	M 5	15	4	0.0	135
38624.W0325	Stainless	25	48	M 5	15	4	0.0	125
38624.W0328	Stainless	28	55	M 6	15	5	0.5	165
38624.W0330	Stainless	30	55	M 6	15	5	0.5	156
38624.W0332	Stainless	32	60	M 6	15	5	0.4	187



Set Collars

two piece - divided

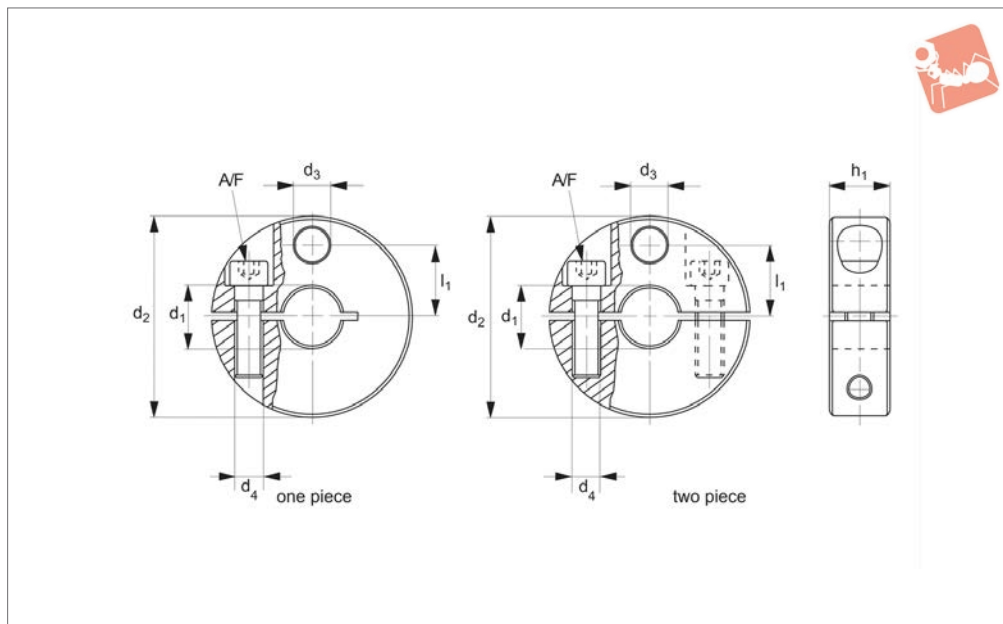


Set Collars

Order No.	Material	d_1 tol. H10	d_2	d_3	h_1	A/F	Stroke s_1 max.	Weight g
38624.W0335	Stainless	35	60	M 6	15	5	0.4	170
38624.W0340	Stainless	40	65	M 6	15	5	0.5	189



38650



Material

Set collar and screw: stainless steel (AISI 420, 1.4021).

Technical Notes

Clamping ring made of stainless steel with

strong clamping force. Available in two versions, slotted (one piece) and divided (two piece). Clamping rings with $d_1 > 10\text{mm}$ supplied with fixing hole (d_3) for the mounting of sensors, switches etc.

Order No.	Type	d_1 tol. H8	d_2 -0.5	d_3	d_4	l_1	h_1	A/F	Weight g
38650.W0010	One piece	10	40	6.5	M 5	14.5	12	4	99
38650.W0012	One piece	12	40	6.5	M 5	14.5	12	4	94
38650.W0014	One piece	14	45	9.0	M 6	16.5	13	5	125
38650.W0015	One piece	15	45	9.0	M 6	16.5	13	5	122
38650.W0016	One piece	16	45	9.0	M 6	16.5	13	5	120
38650.W0018	One piece	18	50	9.0	M 6	18.5	13	5	151
38650.W0020	One piece	20	50	9.0	M 6	18.5	13	5	144
38650.W0022	One piece	22	65	13.0	M 8	23.5	18	6	359
38650.W0024	One piece	24	65	13.0	M 8	23.5	18	6	349
38650.W0025	One piece	25	65	13.0	M 8	23.5	18	6	345
38650.W0030	One piece	30	75	13.0	M 8	27.0	20	6	108
38650.W0032	One piece	32	80	13.0	M 8	30.0	20	6	588
38650.W0035	One piece	35	80	13.0	M 8	30.0	20	6	566
38650.W0110	Two piece	10	40	6.5	M 5	14.5	12	4	94
38650.W0112	Two piece	12	40	6.5	M 5	14.5	12	4	90
38650.W0114	Two piece	14	45	9.0	M 6	16.5	13	5	114
38650.W0115	Two piece	15	45	9.0	M 6	16.5	13	5	112
38650.W0116	Two piece	16	45	9.0	M 6	16.5	13	5	110
38650.W0118	Two piece	18	50	9.0	M 6	18.5	13	5	142
38650.W0120	Two piece	20	50	9.0	M 6	18.5	13	5	139
38650.W0122	Two piece	22	65	13.0	M 8	23.5	18	6	341
38650.W0124	Two piece	24	65	13.0	M 8	23.5	18	6	330
38650.W0125	Two piece	25	65	13.0	M 8	23.5	18	6	330
38650.W0130	Two piece	30	75	13.0	M 8	27.0	20	6	488
38650.W0132	Two piece	32	80	13.0	M 8	30.0	20	6	564
38650.W0135	Two piece	35	80	13.0	M 8	30.0	20	6	542