

18820

SWING BOLTS

Material

Steel, heat-treated steel, blackened, quality thread 8.8.
Rolled thread, shaft $\varnothing = \text{roll } \varnothing$, faces machined.

Important Notes

These parts offer a high precision bore d_2 to tolerance H7, with faces w_1 machined flat.

Technical Notes

Produced to DIN 444B.

For similar DIN 444 swing bolts for a standard tolerance see our part 18822.

Order No.	d_1	l_1	d_2 tol. H7	d_3	l_2	d_4	w_1	Weight g
18820.W0060	M 5	50	5	12	32	5	6	10
18820.W0061	M 6	50	6	14	32	6	7	14
18820.W0062	M 6	75	6	14	32	6	7	19
18820.W0081	M 8	40	8	18	22	8	9	22
18820.W0084	M 8	60	8	18	22	8	9	28
18820.W0103	M10	50	10	20	26	10	12	38
18820.W0106	M10	75	10	20	26	10	12	50
18820.W0108	M10	100	10	20	26	10	12	62
18820.W0122	M12	60	12	25	30	12	14	70
18820.W0125	M12	80	12	25	30	12	14	84
18820.W0128	M12	120	12	25	30	12	14	113
18820.W0163	M16	80	16	32	38	16	17	153
18820.W0168	M16	150	16	32	44	16	17	245
18820.W0201	M20	100	18	40	63	20	22	305
18820.W0202	M20	130	18	40	63	20	22	370
18820.W0203	M20	160	18	40	63	20	22	440



Swing Bolts - Overview

18820



Swing Bolts - High Tolerance

- Form B - DIN 444.
- Heat-treated steel, quality 8.8, blackened.
- Rolled thread, shaft \varnothing = thread \varnothing , faces machined.
- These parts offer a high precision bore d_2 to tolerance H7, with faces 'w₁' machined flat.

18822



Swing Bolts - Standard Tolerance

- Form B, DIN 444.
- Heat-treated steel, tempered, quality 8.8, black
- These parts have a bore d_2 with a standard tolerance H9 (faces 'w₁' are not machined).

18830



Stainless Swing Bolts - High Tolerance

- DIN 444.
- Stainless steel 1.4305 (AISI 304). Turned, thread rolled. Matt shot blasted.
- These parts offer a high precision bore d_2 to tolerance H7, with faces 'w₁' machined flat.

18832



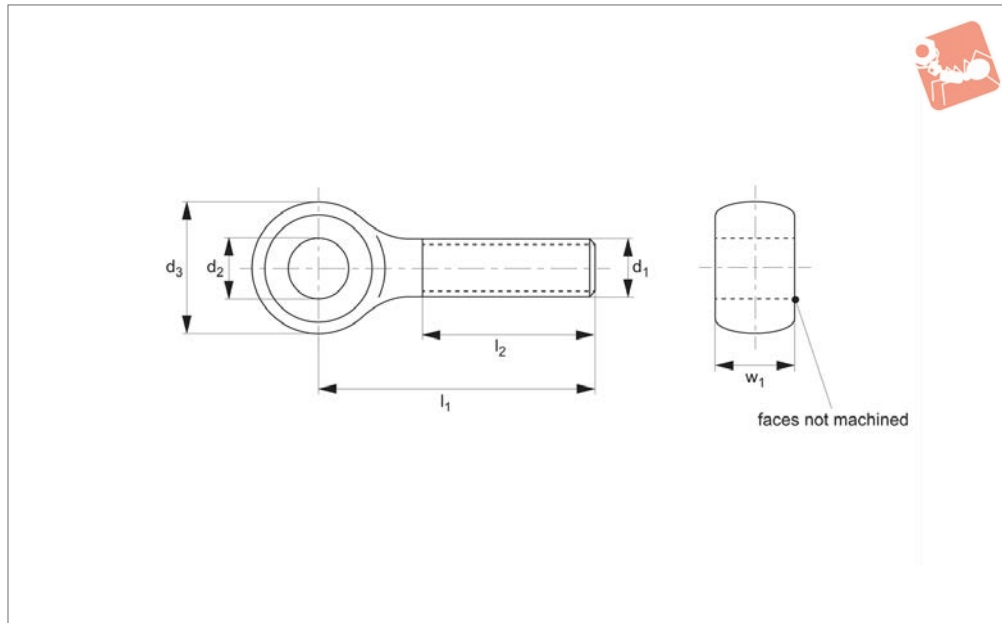
Stainless Swing Bolts - Standard Tolerance

- DIN 444.
- Stainless steel 1.4301.
- These parts have a bore d_2 with a standard tolerance H9 (faces 'w₁' are not machined).



Swing Bolts - Standard Tolerance form B

Swing Bolts



18822

SWING BOLTS

Material

Steel, heat-treated and tempered, quality 8.8, black.

Technical Notes

DIN 444.

Important Notes

These parts have a bore d_2 standard tolerance H9 (faces are not machined).

For similar parts to DIN 444 with high tolerance see our part 18820.

Order No.	d_1	l_1	d_2 tol. h9	d_3	l_2	w_1	Weight g
18822.W0202	M 5	25	5	12	16	6	5.6
18822.W0203	M 5	30	5	12	16	6	6.4
18822.W0204	M 5	35	5	12	16	6	7.1
18822.W0205	M 5	40	5	12	16	6	7.9
18822.W0212	M 6	30	6	14	18	7	9.5
18822.W0214	M 6	40	6	14	18	7	12.0
18822.W0216	M 6	50	6	14	18	7	14.0
18822.W0218	M 6	60	6	14	18	7	16.0
18822.W0222	M 6	80	6	14	18	7	20.0
18822.W0232	M 8	40	8	18	22	9	22.0
18822.W0234	M 8	50	8	18	22	9	25.0
18822.W0236	M 8	60	8	18	22	9	29.0
18822.W0240	M 8	80	8	18	22	9	37.0
18822.W0244	M 8	100	8	18	22	9	44.0
18822.W0252	M10	50	10	20	26	12	37.0
18822.W0254	M10	60	10	20	26	12	43.0
18822.W0257	M10	75	10	20	26	12	52.0
18822.W0262	M10	100	10	20	26	12	67.0
18822.W0266	M10	120	10	20	26	12	72.0
18822.W0272	M12	50	12	25	30	14	59.0
18822.W0274	M12	60	12	25	30	14	68.0
18822.W0278	M12	80	12	25	30	14	85.0
18822.W0282	M12	100	12	25	30	14	102.0
18822.W0286	M12	120	12	25	30	14	119.0
18822.W0292	M16	60	16	32	38	17	128.0
18822.W0294	M16	80	16	32	38	17	158.0
18822.W0298	M16	100	16	32	38	17	190.0
18822.W0302	M16	120	16	32	38	17	220.0
18822.W0308	M16	150	16	32	44	17	265.0
18822.W0312	M20	100	18	40	46	22	329.0
18822.W0316	M20	120	18	40	46	22	371.0
18822.W0324	M20	160	18	40	52	22	466.0



Order No.	d ₁	l ₁	d ₂ tol. h9	d ₃	l ₂	w ₁	Weight g
18822.W0332	M20	200	18	40	52	22	562.0
18822.W0342	M24	100	22	45	54	25	442.0
18822.W0346	M24	120	22	45	54	25	512.0
18822.W0354	M24	160	22	45	60	25	649.0
18822.W0362	M24	200	22	45	60	25	787.0

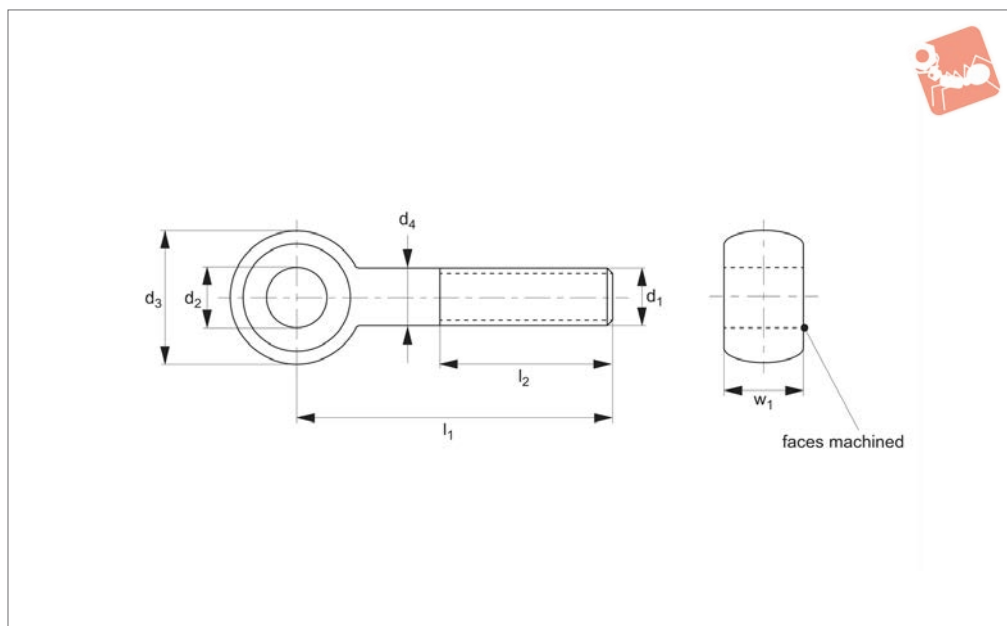


Stainless Swing Bolts

high tolerance



Swing Bolts



18830

SWING BOLTS

Material

Turned, thread rolled. Matt shot blasted.

Technical Notes

Produced to DIN 444.

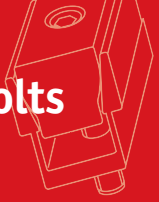
Stainless steel 1.4305 (AISI 304).

Important Notes

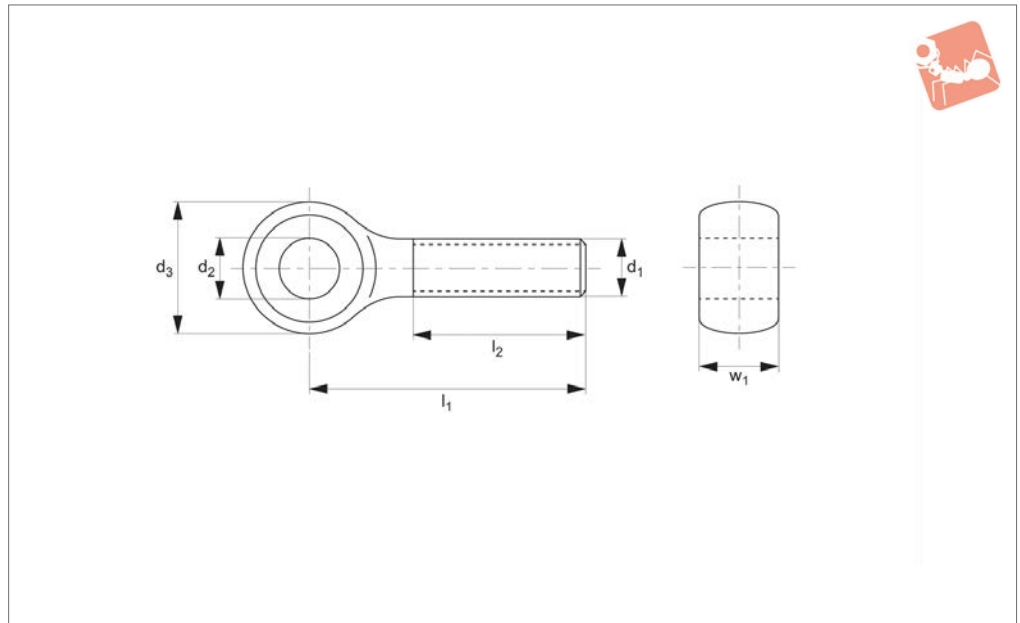
These parts offer a high precision bore d_2 to tolerance H7, with faces w_1 machined flat.

For similar DIN 444 swing bolts to a standard tolerance see our part 18832.

Order No.	d_1	l_1	d_2 tol. H7	d_3	l_2	d_4	w_1 -0.15	Weight g
18830.W0051	M 5	50	5	12	32	5	6	10
18830.W0052	M 5	75	5	12	32	5	6	20
18830.W0061	M 6	50	6	14	32	6	7	14
18830.W0062	M 6	75	6	14	32	6	7	19
18830.W0081	M 8	50	8	18	32	8	9	26
18830.W0082	M 8	75	8	18	32	8	9	36
18830.W0101	M10	50	10	20	40	10	12	38
18830.W0102	M10	75	10	20	40	10	12	53
18830.W0103	M10	100	10	20	40	10	12	60
18830.W0121	M12	75	12	25	40	12	14	83
18830.W0122	M12	100	12	25	40	12	14	105
18830.W0123	M12	130	12	25	40	12	14	132
18830.W0161	M16	75	16	32	50	16	17	146
18830.W0162	M16	100	16	32	50	16	17	183
18830.W0163	M16	130	16	32	50	16	17	220
18830.W0164	M20	100	18	40	63	20	22	322



18832



Material

Stainless steel 1.4301.

Technical Notes

DIN 444.

Important Notes

These parts have a bore d_2 to standard tolerance H9 (faces w_1 are not machined).

For similar parts to DIN 444 with high tolerance see our part 18830.

Order No.	d_1	l_1	d_2 tol. h9	d_3	l_2	w_1	Weight g
18832.W0402	M 5	25	5	12	16	6	5.6
18832.W0403	M 5	30	5	12	16	6	6.4
18832.W0404	M 5	35	5	12	16	6	7.1
18832.W0405	M 5	40	5	12	16	6	7.9
18832.W0412	M 6	30	6	14	18	7	9.5
18832.W0414	M 6	40	6	14	18	7	12.0
18832.W0416	M 6	50	6	14	18	7	14.0
18832.W0418	M 6	60	6	14	18	7	16.0
18832.W0422	M 6	80	6	14	18	7	20.0
18832.W0432	M 8	40	8	18	22	9	22.0
18832.W0434	M 8	50	8	18	22	9	25.0
18832.W0436	M 8	60	8	18	22	9	29.0
18832.W0440	M 8	80	8	18	22	9	37.0
18832.W0444	M 8	100	8	18	22	9	44.0
18832.W0452	M10	50	10	20	26	12	37.0
18832.W0454	M10	60	10	20	26	12	43.0
18832.W0457	M10	75	10	20	26	12	52.0
18832.W0462	M10	100	10	20	26	12	67.0
18832.W0466	M10	120	10	20	26	12	72.0
18832.W0472	M12	50	12	25	30	14	59.0
18832.W0474	M12	60	12	25	30	14	68.0
18832.W0478	M12	80	12	25	30	14	85.0
18832.W0482	M12	100	12	25	30	14	102.0
18832.W0486	M12	120	12	25	30	14	119.0
18832.W0502	M16	120	16	32	38	17	220.0
18832.W0508	M16	150	16	32	44	17	265.0
18832.W0512	M20	100	18	40	46	22	329.0
18832.W0516	M20	120	18	40	46	22	371.0
18832.W0524	M20	160	18	40	52	22	466.0
18832.W0532	M20	200	18	40	52	22	562.0
18832.W0542	M24	100	22	45	54	25	442.0
18832.W0546	M24	120	22	45	54	25	512.0
18832.W0554	M24	160	22	45	60	25	649.0
18832.W0562	M24	200	22	45	60	25	787.0