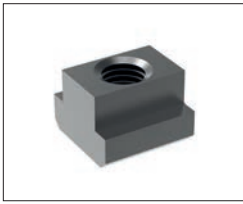


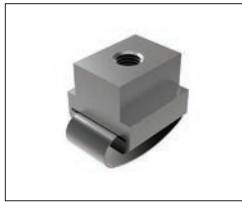


Nuts

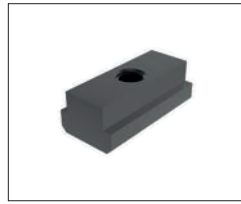
Available in heat treated steel, unless stated otherwise.



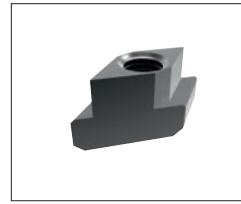
24000 T-Nut, Strength Class 10 DIN 508.



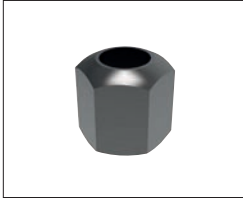
24010 T-Nut with Anti-Slip Device.



24100 Extended T-Nut. Strength Class 10.



24120 Rhombus T-Nuts



24300 Fixture Nuts. Strength Class 10 - DIN 6330B



24400 Collar Nuts, DIN 6331



24502 Fast Nut - With Collar Rapid Assembly Nut



24520 - Steel Slip-On Lock Nuts - Rapid Assembly Nut.



24600 Extension Nuts Strength Class 10.



24620 Swivel Nuts, Conical Seat

Washers

Available in a range of steel types - see product for details.



25000 - Hardened Steel - Plain Washers. DIN 6340.



25100 - Case Hardened Steel - Spherical Seat Washers. Type C - DIN 6319C.



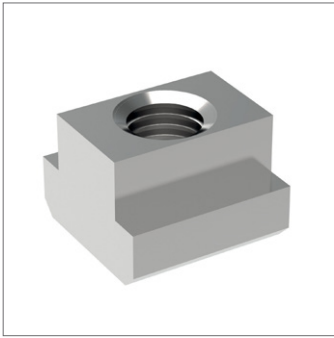
25400 - Case Hardened Steel - Dished Washers, Type D - DIN 6319D.



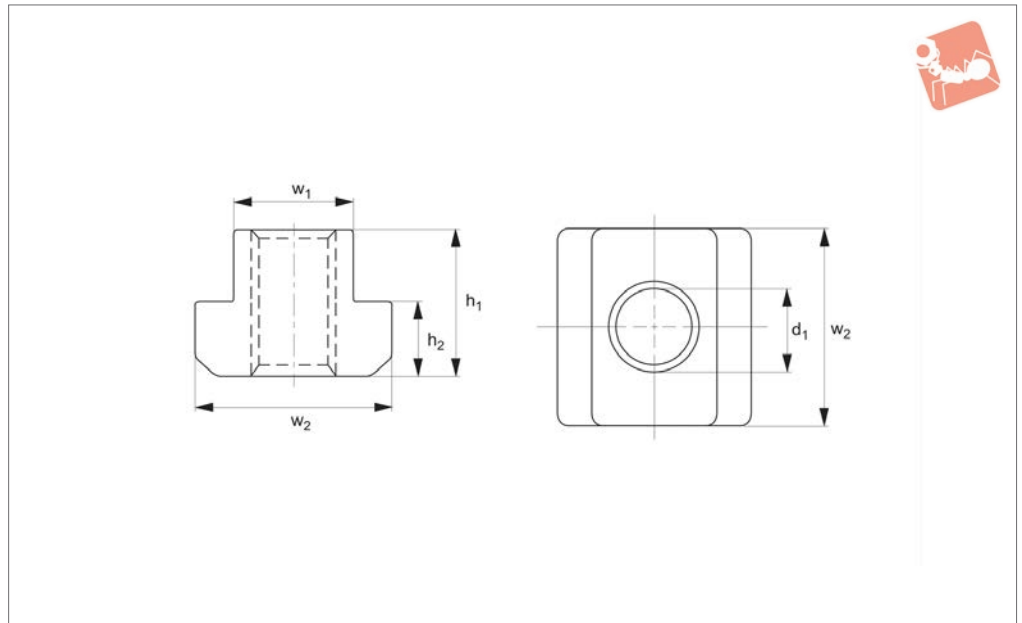
25700 - Tempered Steel - Dished Washers, Type G - DIN 6319G.



25900 - Stainless Steel Compact Spherical Washer, Conical Seat, similar to DIN6319



24020



Material

Stainless steel (AISI 304, 1.4301).

Please note T-nuts are square, length and width are both equal to dimension w_2 .

Technical Notes

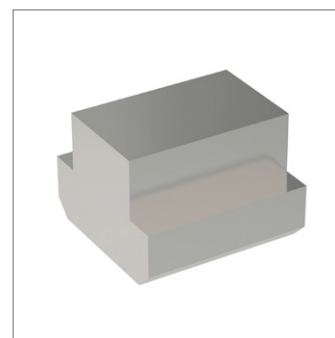
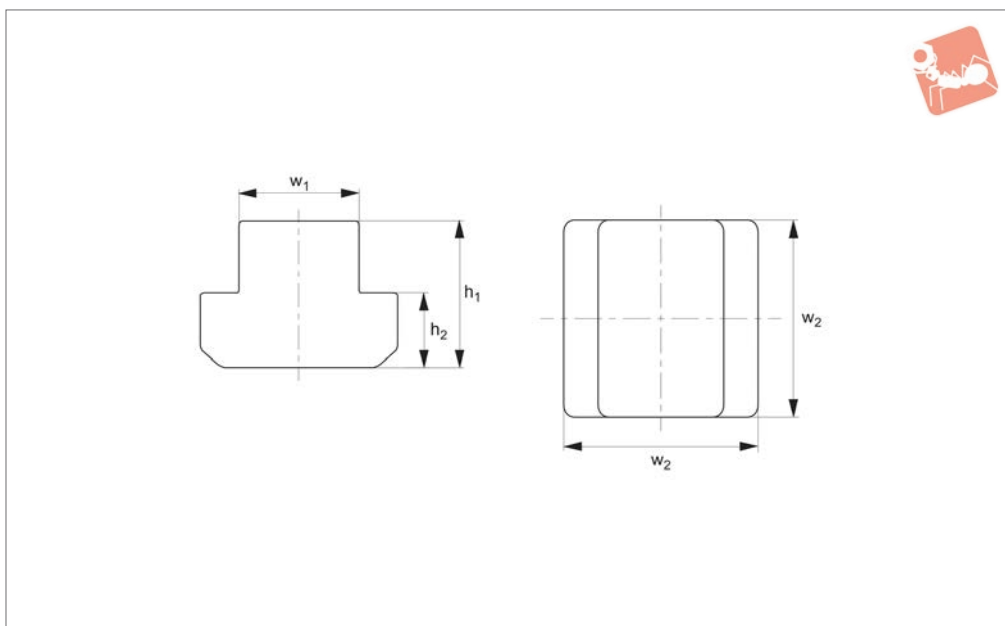
T-nuts to DIN 508.

Order No.	d_1 x T-Slot	w_1	w_2	h_1	h_2	Weight g
24020.W0081	M 6 x 8	7.6	13	10	6	8
24020.W0101	M 8 x 10	9.6	15	12	6	13
24020.W0121	M10 x 12	11.6	18	14	7	20
24020.W0141	M12 x 14	13.6	22	16	8	34
24020.W0161	M14 x 16	15.6	25	18	9	49
24020.W0181	M16 x 18	17.6	28	20	10	68



T-Nuts - Semi Finished stainless steel

T-Nuts & T-Bolts



24180

T-NUTS & T-BOLTS

Material

Stainless steel (AISI 304, 1.4301).

Technical Notes

Please note T-nuts are square, length and width are both equal to w_2 .

Order No.	T-slot size	w_1	w_2	h_1	h_2	Weight g
24180.W0080	8	7.6	13	10	6	10
24180.W0100	10	9.6	15	12	6	17
24180.W0120	12	11.6	18	14	7	27
24180.W0124	14	13.6	22	16	8	46
24180.W0160	16	15.6	25	18	9	68
24180.W0180	18	17.6	28	20	10	95