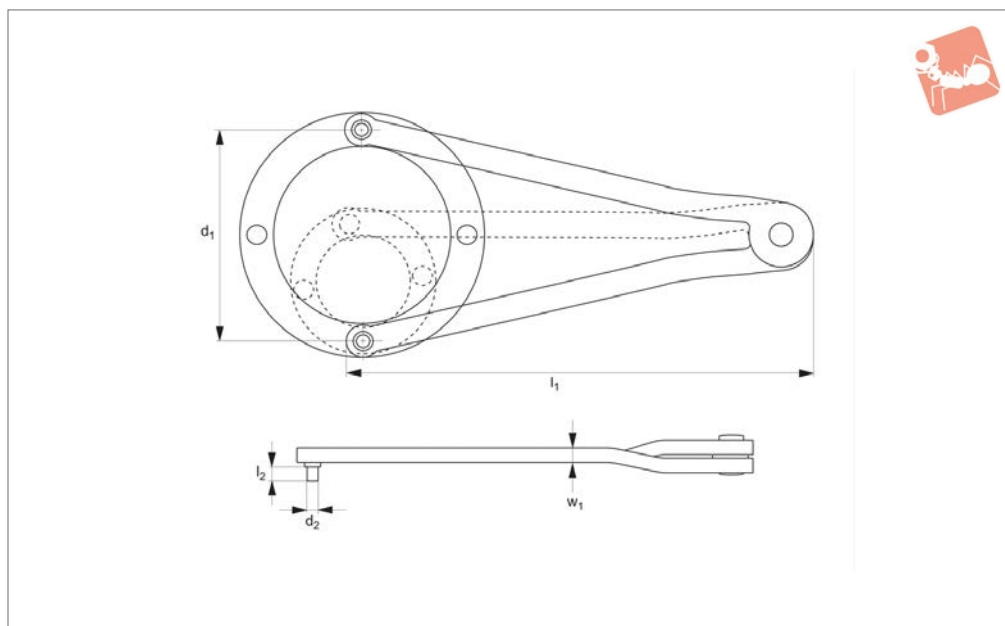




Adjustable Pin Face Spanners with welded pins

Spanners & Hook Spanners



94000.1

SPANNERS & HOOK SPANNERS

Material

Carbon steel (C35/C45), tempered.

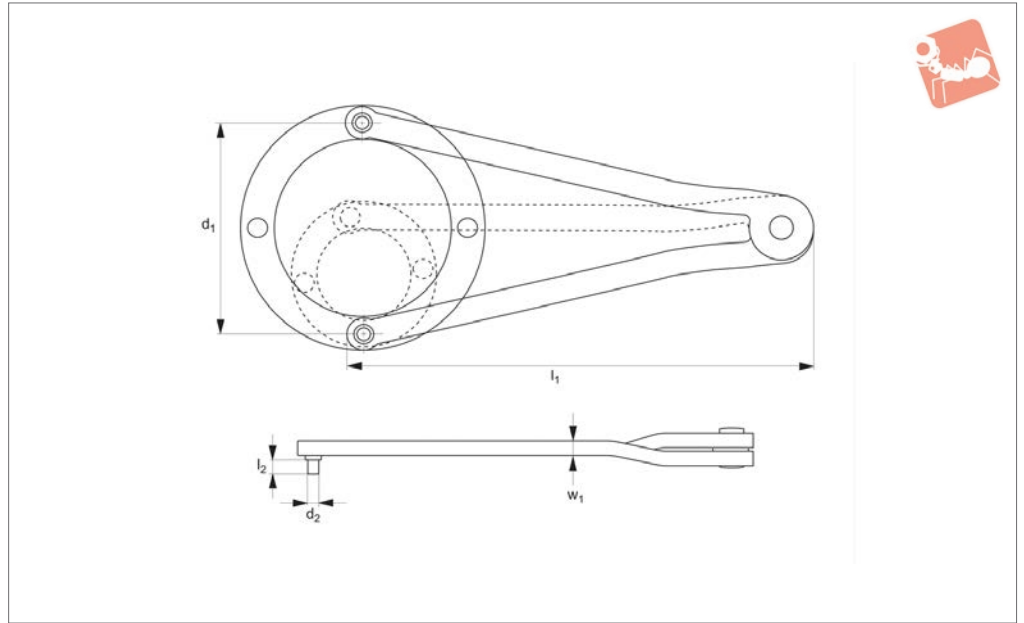
Technical Notes

Size 7-40 with riveted pins, from size 11-60 pins electrically welded.

| Order No. | d ₁ for nut min. max. | d ₂ -0.1mm tol. h12 | l ₁ | l ₂ | w ₁ | Weight g |
|-------------|---------------------------------------|-------------------------------------|----------------|----------------|----------------|-------------|
| 94000.W0041 | 7-40 | 1.5 | 115 | 2.0 | 3 | 40 |
| 94000.W0042 | 7-40 | 2.0 | 115 | 2.5 | 3 | 40 |
| 94000.W0043 | 7-40 | 2.5 | 115 | 3.0 | 3 | 40 |
| 94000.W0061 | 11-60 | 3.0 | 160 | 4.0 | 4 | 140 |
| 94000.W0062 | 11-60 | 4.0 | 160 | 5.0 | 4 | 140 |
| 94000.W0063 | 11-60 | 5.0 | 160 | 6.0 | 4 | 140 |
| 94000.W0101 | 14-100 | 5.0 | 215 | 6.0 | 6 | 300 |
| 94000.W0102 | 14-100 | 6.0 | 215 | 7.0 | 6 | 300 |
| 94000.W0103 | 14-100 | 8.0 | 215 | 8.0 | 6 | 300 |
| 94000.W0125 | 22-125 | 8.0 | 260 | 8.0 | 6 | 500 |
| 94000.W0126 | 22-125 | 10.0 | 260 | 10.0 | 6 | 500 |
| 94000.W0127 | 22-125 | 12.0 | 260 | 12.0 | 6 | 500 |



94000.2



SPANNERS & HOOK SPANNERS

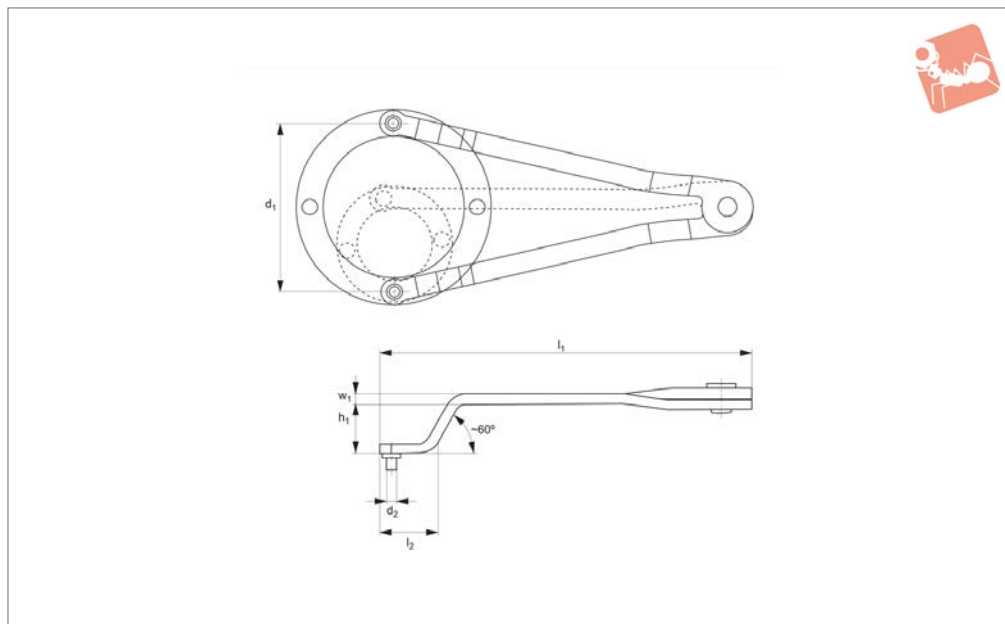
Material

Stainless steel.

| Order No. | d_1 for nut min. max. | d_2 -0.1mm tol. h12 | l_1 | l_2 | w_1 | Weight g |
|-------------|------------------------------|----------------------------|-------|-------|-------|-------------|
| 94000.W0561 | 11-60 | 3 | 162 | 4 | 4 | 115 |
| 94000.W0562 | 11-60 | 4 | 162 | 5 | 4 | 115 |



Adjustable Pin Face Spanner - Off set with welded pins



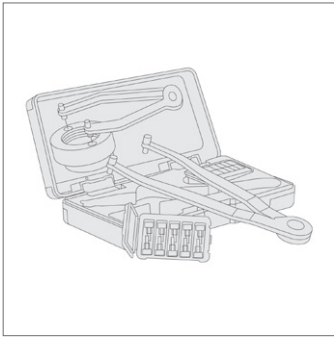
94002

SPANNERS & HOOK SPANNERS

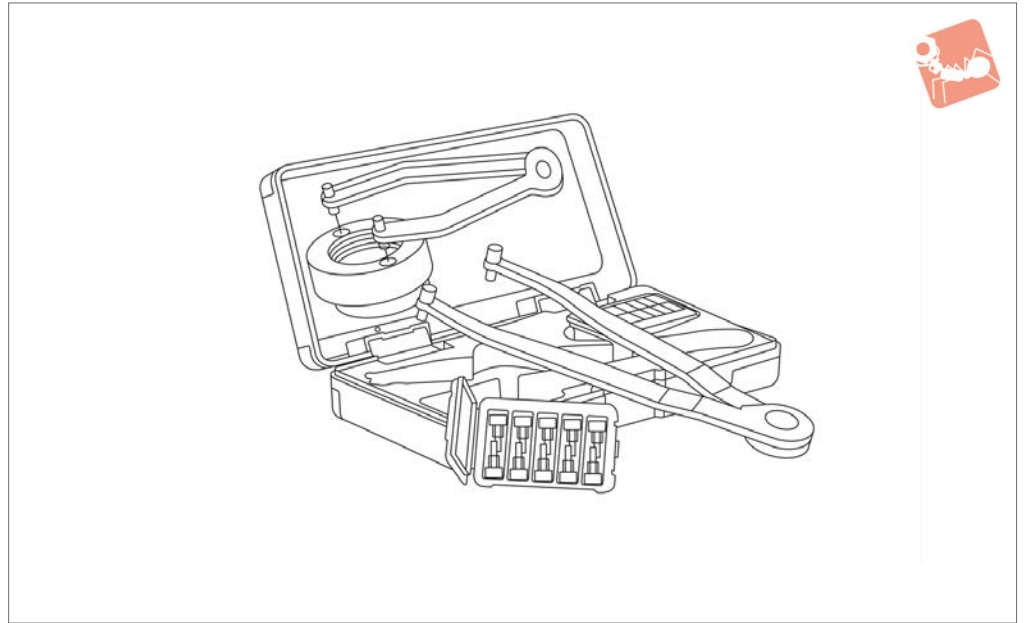
Material

Special steel, hardened and blued.

| Order No. | d_1 for nut \emptyset | d_2 -0.1mm tol. h12 | h_1 | l_1 | l_2 | w_1 | Weight g |
|-------------|---------------------------|----------------------------|-------|-------|-------|-------|-------------|
| 94002.W0061 | 11-60 | 3 | 20 | 153 | 24 | 4 | 120 |
| 94002.W0062 | 11-60 | 4 | 20 | 153 | 24 | 4 | 120 |
| 94002.W0101 | 14-90 | 5 | 27 | 205 | 31 | 6 | 310 |
| 94002.W0102 | 14-90 | 6 | 27 | 205 | 31 | 6 | 310 |



94020



Material

Spanner: steel (C35/C45), zinc plated.
Pins: hardened steel, blackened.

Technical Notes

Set contains 1 pieces adjustable pin face

spanner to suit interchangeable pins. Pin set contains two pieces each of pin diameter 1.5, 2, 2.5, 3 and 4. Supplied in robust storage box.

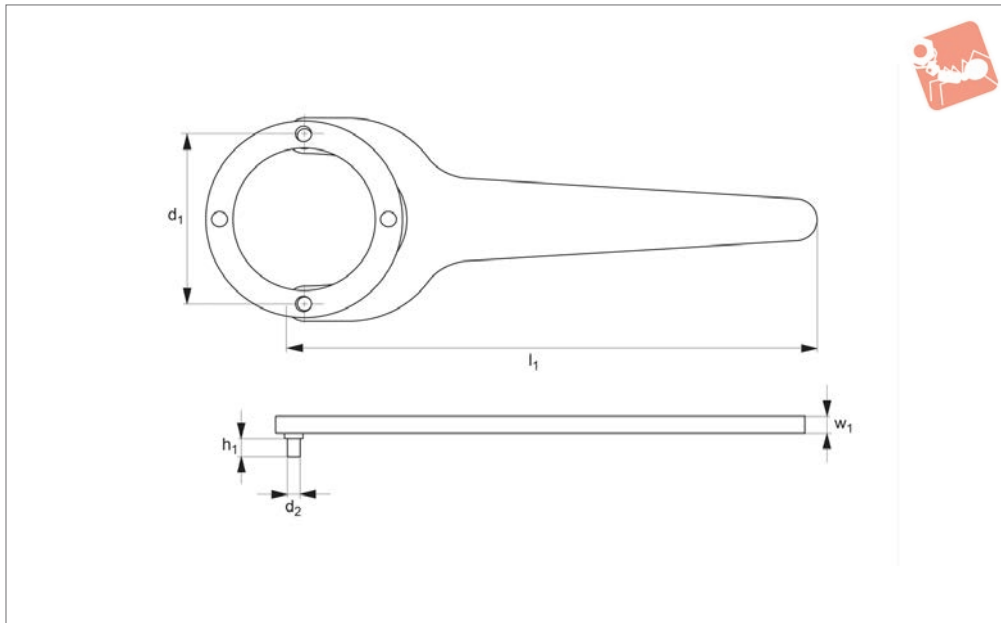
| Order No. | Box l x w x h | For nut diameter | Pin diameter | Weight g |
|-------------|---------------|------------------|-------------------|----------|
| 94020.W0061 | 165x87x36 | 8-100 | 1.5, 2, 2.5, 3, 4 | 335 |



Face Spanner - with Pins

fixed

Spanners & Hook Spanners



95340

SPANNERS & HOOK SPANNERS

Material

Steel (C35/C45), tempered and blackened.

Pins spot welded.

Tips

()= not to DIN standard.

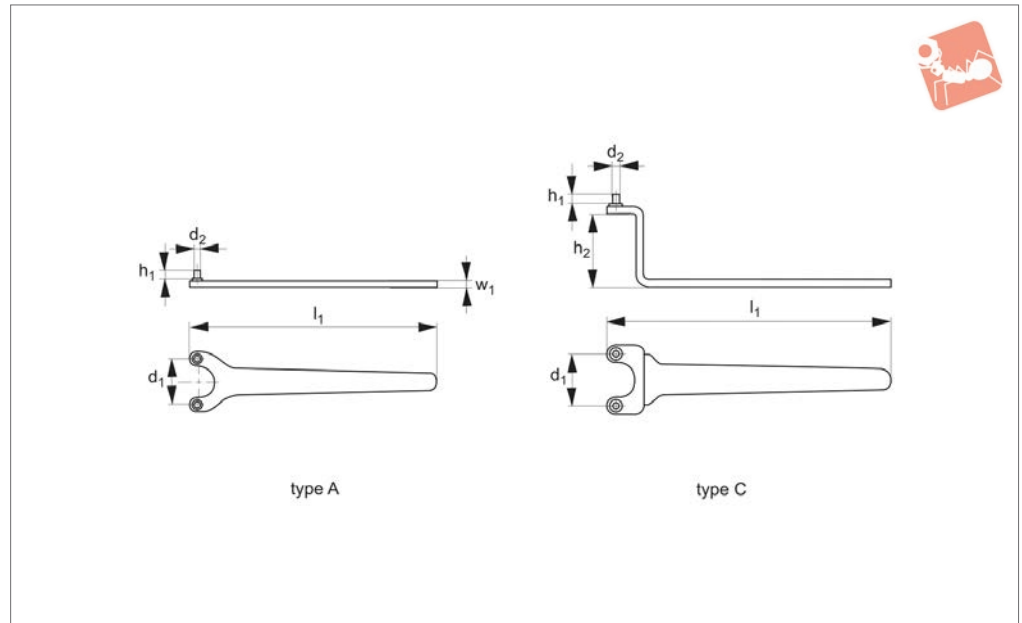
Technical Notes

Produced to DIN 3116A.

| Order No. | d ₁ for nut Ø | d ₂ -0.1 tol. h12 | h ₁ | l ₁ | w ₁ | Weight g |
|-------------|--------------------------|-----------------------------------|----------------|----------------|----------------|-------------|
| 95340.W0013 | 13 | 2.5 | 3.0 | 90 | 3 | 27 |
| 95340.W0015 | 15 | 3.0 | 3.5 | 90 | 3 | 27 |
| 95340.W0020 | (20) | 3.0 | 4.0 | 122 | 4 | 50 |
| 95340.W0021 | (20) | 4.0 | 5.0 | 122 | 4 | 50 |
| 95340.W0025 | 25 | 3.0 | 4.0 | 137 | 4 | 65 |
| 95340.W0026 | (25) | 4.0 | 5.0 | 137 | 4 | 65 |
| 95340.W0030 | 30 | 4.0 | 5.0 | 164 | 4 | 85 |
| 95340.W0035 | 35 | 5.0 | 6.0 | 180 | 5 | 120 |
| 95340.W0036 | (35) | 4.0 | 5.0 | 180 | 5 | 120 |
| 95340.W0040 | 40 | 4.0 | 5.0 | 167 | 5 | 120 |
| 95340.W0045 | 45 | 4.0 | 5.0 | 187 | 5 | 145 |
| 95340.W0050 | 50 | 5.0 | 6.0 | 198 | 5 | 175 |
| 95340.W0060 | 60 | 5.0 | 6.0 | 213 | 6 | 220 |
| 95340.W0075 | 75 | 6.0 | 7.0 | 243 | 6 | 330 |
| 95340.W0090 | 90 | 7.0 | 7.5 | 270 | 6 | 410 |



95342.1



Material

Special steel, zinc plated, with electrically welded pins.

Technical Notes

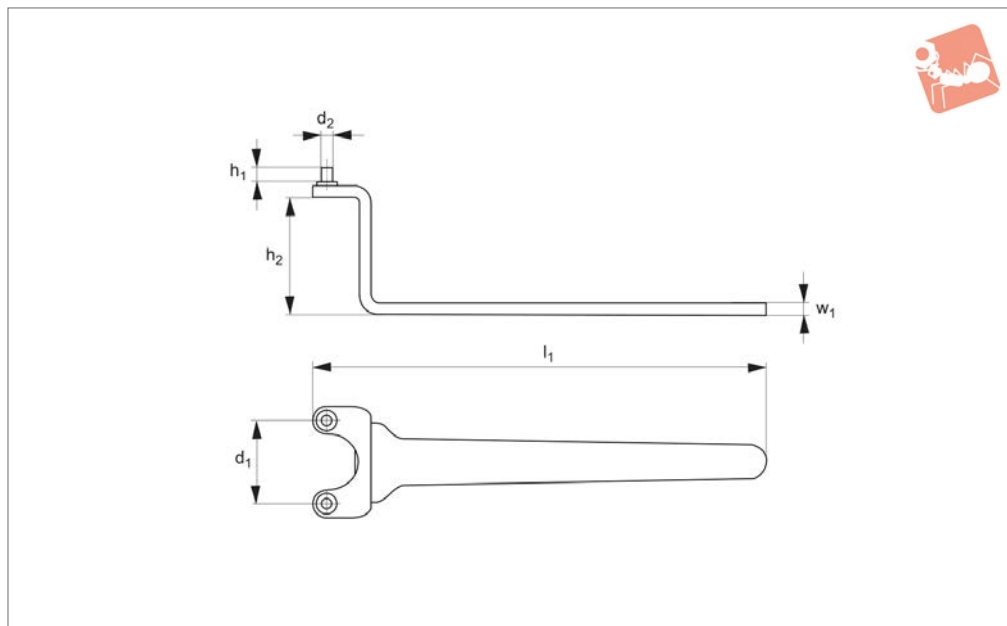
Size 35 for flange nut DIN 44716-D of angle grinder DIN 44706 for clamping,

grinding and cutting-off wheels.

| Order No. | Type | d ₁ | d ₂ | h ₁ | h ₂ | l ₁ | w ₁ | Weight g |
|-------------|------|----------------|----------------|----------------|----------------|----------------|----------------|----------|
| 95342.W0030 | A | 30 | 4 | 5 | - | 164 | 4 | 85 |
| 95342.W0035 | A | 35 | 5 | 6 | - | 180 | 5 | 120 |
| 95342.W0135 | C | 35 | -5 | 6 | 50 | 200 | 5 | 200 |



Face Spanner - Off set with fixed pins



95342.2

SPANNERS & HOOK SPANNERS

Material

Special steel, blued, with electrically welded pins.

belt tensioners (AUDI, VW).

Important Notes

Pin diameter = nominal diameter -0.1mm (tolerance class h12).

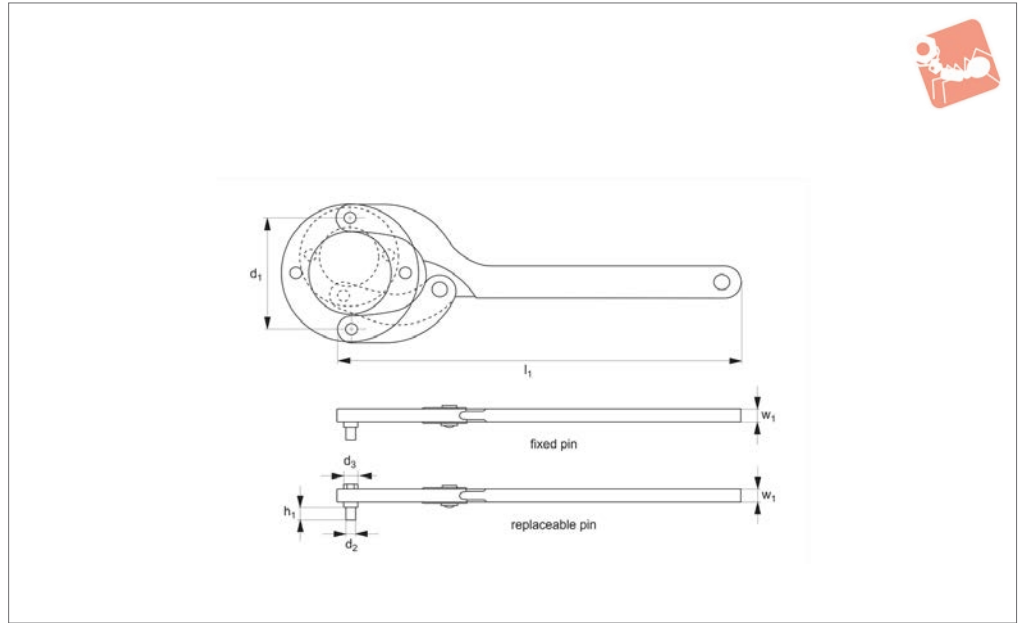
Technical Notes

This wrench is used for adjusting timing

| Order No. | Type | d ₁ | d ₂ | h ₁ | h ₂ | l ₁ | w ₁ | Weight g |
|-------------|------|----------------|----------------|----------------|----------------|----------------|----------------|----------|
| 95342.W0118 | C | 18 | 3 | 4 | 15 | 140 | 4 | 95 |



95350



Material

Steel (C35/C45), tempered and blackened.

welded.

For replacement pins see part no. 95360.

Technical Notes

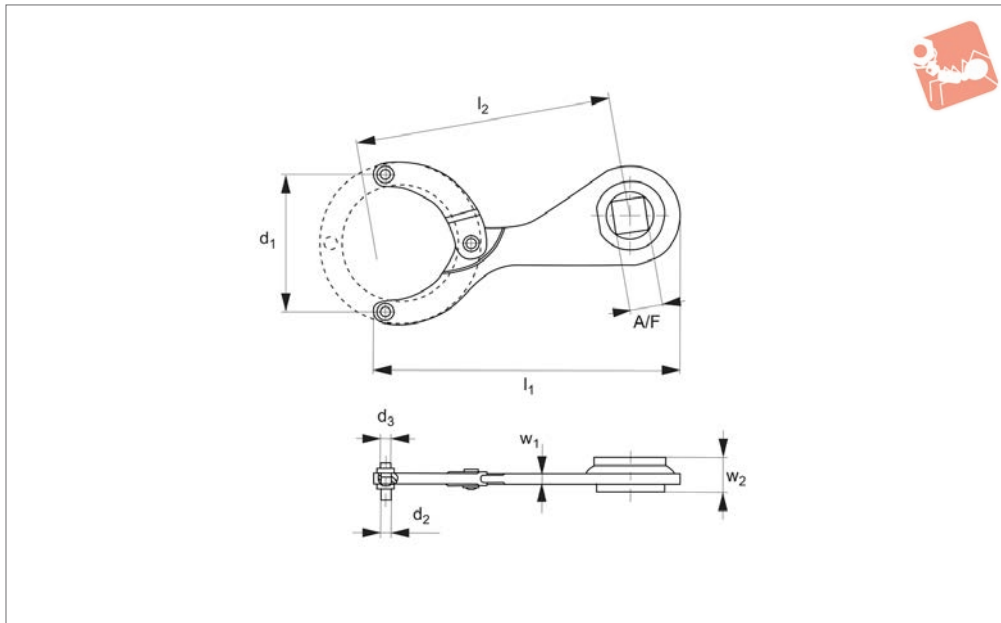
Fixed or replaceable pins, fixed pin spot

| Order No. | Type | d ₁ for nut Ø | d ₂ -0.1 tol. h12 | d ₃ | h ₁ | l ₁ | w ₁ | Weight g |
|-------------|-----------------|--------------------------|-----------------------------------|----------------|----------------|----------------|----------------|-------------|
| 95350.W0041 | Fixed Pin | 18-40 | 3 | - | 4.0 | 150 | 5 | 100 |
| 95350.W0042 | Fixed Pin | 18-40 | 4 | - | 5.0 | 150 | 5 | 100 |
| 95350.W0081 | Fixed Pin | 40-80 | 4 | - | 5.0 | 220 | 6 | 265 |
| 95350.W0082 | Fixed Pin | 40-80 | 5 | - | 6.0 | 220 | 6 | 265 |
| 95350.W0083 | Fixed Pin | 40-80 | 6 | - | 7.0 | 220 | 6 | 265 |
| 95350.W0125 | Fixed Pin | 80-125 | 6 | - | 7.0 | 295 | 8 | 650 |
| 95350.W0126 | Fixed Pin | 80-125 | 7 | - | 7.5 | 295 | 8 | 650 |
| 95350.W0127 | Fixed Pin | 80-125 | 8 | - | 8.0 | 295 | 8 | 650 |
| 95350.W0201 | Fixed Pin | 125-200 | 8 | - | 8.0 | 405 | 10 | 1590 |
| 95350.W0202 | Fixed Pin | 125-200 | 10 | - | 10.0 | 405 | 10 | 1590 |
| 95350.W0541 | Replaceable Pin | 18-40 | 3 | M 4 | 4.0 | 150 | 5 | 100 |
| 95350.W0542 | Replaceable Pin | 18-40 | 4 | M 4 | 5.0 | 150 | 5 | 100 |
| 95350.W0581 | Replaceable Pin | 40-80 | 4 | M 6 | 5.0 | 220 | 6 | 265 |
| 95350.W0582 | Replaceable Pin | 40-80 | 5 | M 6 | 6.0 | 220 | 6 | 265 |
| 95350.W0583 | Replaceable Pin | 40-80 | 6 | M 6 | 7.0 | 220 | 6 | 265 |
| 95350.W0625 | Replaceable Pin | 80-125 | 6 | M 6 | 7.0 | 295 | 8 | 650 |
| 95350.W0626 | Replaceable Pin | 80-125 | 7 | M 6 | 7.5 | 295 | 8 | 650 |
| 95350.W0627 | Replaceable Pin | 80-125 | 8 | M 6 | 8.0 | 295 | 8 | 650 |
| 95350.W0701 | Replaceable Pin | 125-200 | 8 | M 8 | 8.0 | 405 | 10 | 1590 |
| 95350.W0702 | Replaceable Pin | 125-200 | 10 | M 8 | 10.0 | 405 | 10 | 1590 |



Adjustable Face Spanner

with replaceable pins - for torque socket wrench



95352

SPANNERS & HOOK SPANNERS

Material

Special steel, hardened and blackened.

Technical Notes

Replaceable, hardened pins.

Pin diameter = nominal diameter -0,1mm (tolerance class h12). See part 95360 for replacement pins.

For use with torque wrench, for more accu-

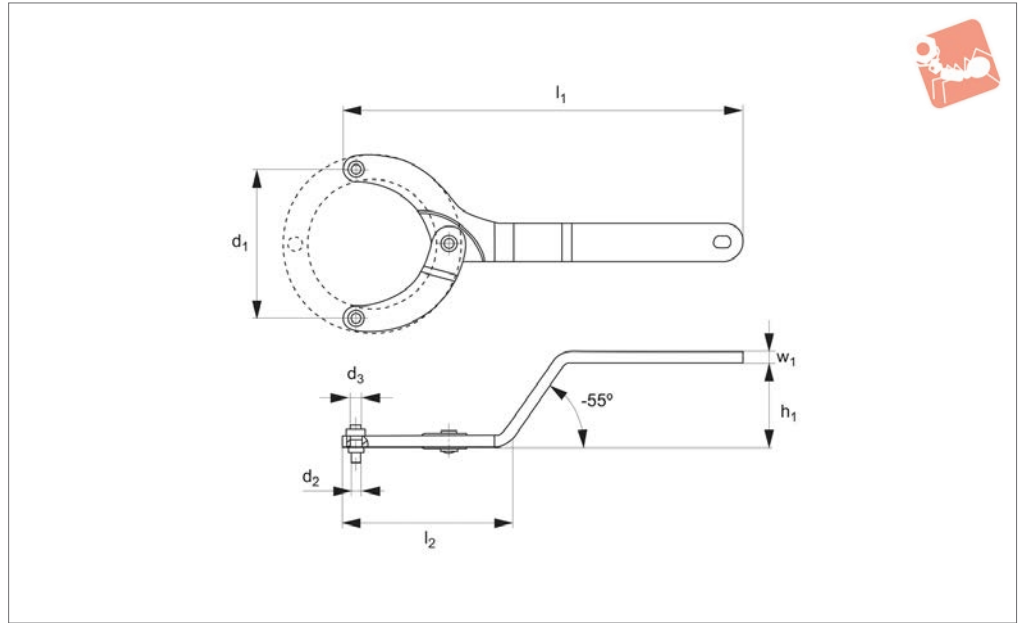
rate installation and adjustment.

The required torque wrench value is dependent upon dimension l_2 . Please refer to the operating manual of your torque wrench.

| Order No. | d_1 for nut \emptyset | d_2 -0.1 | d_3 | l_1 | l_2 | w_1 | w_2 | Drive A/F | Weight g |
|-------------|---------------------------|---------------|-------|-------|-------|-------|-------|-----------|-------------|
| 95352.W0042 | 18-40 | 4 | M 4 | 120 | 100 | 5 | 16.0 | 1/2" | 155 |
| 95352.W0082 | 40-80 | 5 | M 6 | 180 | 150 | 6 | 20.5 | 3/4" | 450 |
| 95352.W0083 | 40-80 | 6 | M 6 | 180 | 150 | 6 | 20.5 | 3/4" | 455 |
| 95352.W0125 | 80-125 | 6 | M 6 | 250 | 220 | 8 | 20.5 | 3/4" | 795 |
| 95352.W0127 | 80-125 | 8 | M 6 | 250 | 220 | 8 | 20.5 | 3/4" | 800 |



95353



Material

Spanner: steel C35/C45, hardened, with blue finish.

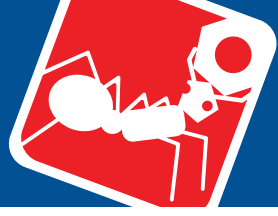
Pins: hardened steel, blackened.

(tolerance class h12). See part 95360 for replacement pins.

Technical Notes

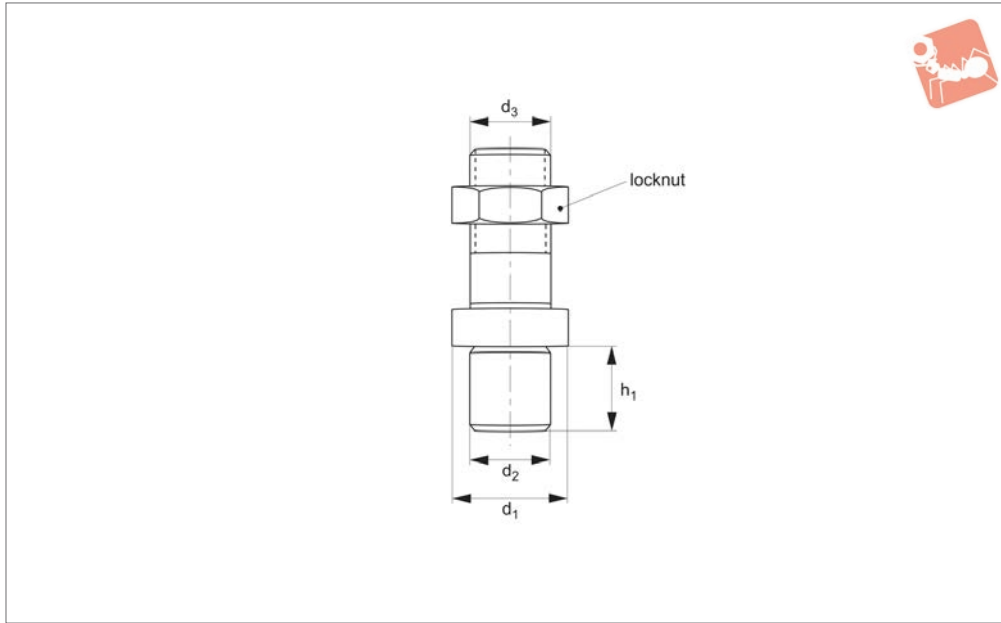
Pin diameter = nominal diameter -0,1mm

| Order No. | d ₁ for nut Ø | d ₂ -0.1 | d ₃ | h ₁ | l ₁ | l ₂ | w ₁ | Weight g |
|-------------|--------------------------|------------------------|----------------|----------------|----------------|----------------|----------------|-------------|
| 95353.W0041 | 18-40 | 3 | M 4 | 33 | 158 | 57 | 5 | 114 |
| 95353.W0042 | 18-40 | 4 | M 4 | 33 | 158 | 57 | 5 | 114 |
| 95353.W0081 | 40-80 | 4 | M 6 | 45 | 215 | 92 | 6 | 290 |
| 95353.W0082 | 40-80 | 5 | M 6 | 45 | 215 | 92 | 6 | 290 |
| 95353.W0083 | 40-80 | 6 | M 6 | 45 | 215 | 92 | 6 | 295 |
| 95353.W0125 | 80-125 | 6 | M 6 | 63 | 290 | 130 | 8 | 695 |
| 95353.W0126 | 80-125 | 8 | M 6 | 63 | 290 | 130 | 8 | 700 |



Replacement Pins for face spanners

Spanners & Hook Spanners



95360

SPANNERS & HOOK SPANNERS

Material

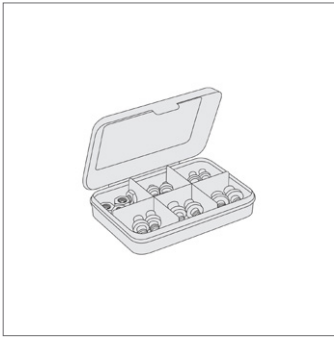
Steel (C35/C45), tempered, hardened, with blue finish.

Technical Notes

Sold as individual pins. Suitable for a variety of spanners, for example 95350,

95352, 95353. See individual product table for pin thread required.

| Order No. | d ₁ | d ₂ pin tol. h ₁₂ -0,1 | d ₃ | h ₁ | Weight g |
|-------------|----------------|--|----------------|----------------|-------------|
| 95360.W0002 | 5.5 | 3 | M 4 | 4.0 | 2 |
| 95360.W0003 | 7.0 | 4 | M 4 | 5.0 | 2 |
| 95360.W0010 | 8.5 | 4 | M 6 | 4.5 | 3 |
| 95360.W0011 | 8.5 | 5 | M 6 | 5.5 | 5 |
| 95360.W0012 | 10.0 | 6 | M 6 | 6.5 | 7 |
| 95360.W0013 | 11.0 | 7 | M 6 | 7.0 | 8 |
| 95360.W0014 | 12.0 | 8 | M 6 | 7.5 | 9 |
| 95360.W0017 | 12.0 | 8 | M 8 | 7.5 | 14 |
| 95360.W0019 | 15.0 | 10 | M 8 | 9.5 | 19 |



95362



Material

Special steel, hardened and blued.

Technical Notes

Two pins each per size, including nuts in a clearly arranged assortment box.

| Order No. | Box l x w x h | For use with 95350, 95352, 95353 | Pin diameter -0.1mm tol. h12 | Nut (DIN 439) | Weight g |
|-------------|---------------|----------------------------------|---------------------------------|---------------|-------------|
| 95362.W0006 | 90 x 65 x 20 | 40-80 / 80-125 | 4, 5, 6, 7, 8 | 10xM 6 | 95 |