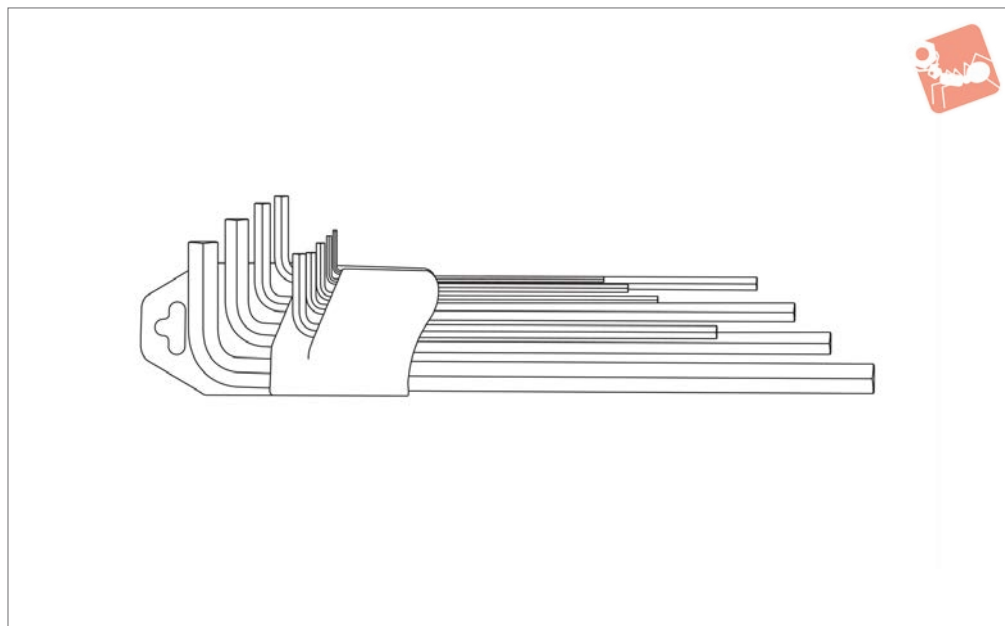




# Hexagon Keys - Long in clip set - blackened or nickel plated



### 90180

HEX KEYS & WRENCHES

#### Material

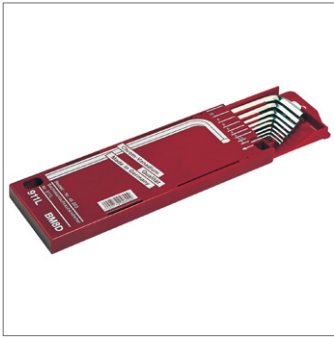
Keys: steel, hardened chrome vanadium.  
Blackened or nickel plated.  
Clip: part nos. 90180.W0007 and .W0009;

plastic polyamide, red. Part no. 90180.  
W0908; plastic polyamide, yellow.

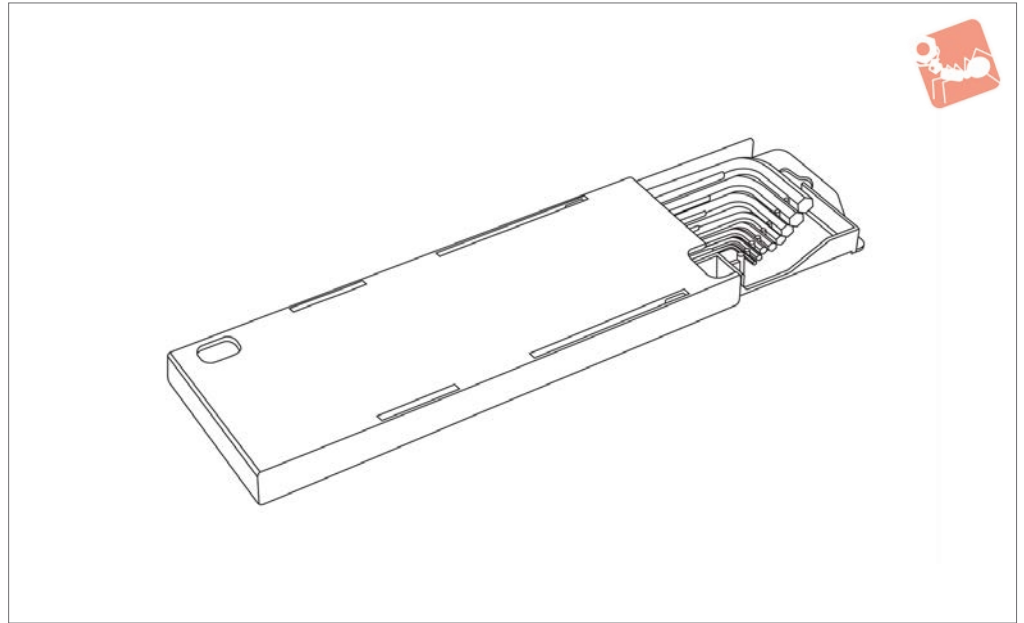
#### Technical Notes

High quality hex. key sets.  
Parts to DIN 911 LC/LD and ISO 2936 LC/LD.

Order No.	Pieces	Finish	Contents A/F mm/inch	Weight g
90180.W0007	9 metric	Nickel Plated	1,5, 2, 2,5, 3, 4, 5, 6, 8, 10	415
90180.W0009	9 metric	Blackened	1,5, 2, 2,5, 3, 4, 5, 6, 8, 10	415
90180.W0908	9 inch	Nickel Plated	5/64", 3/32", 1/8", 5/32", 3/16", 7/32", 1/4", 5/32"	395



**90210**



**Material**

Keys: steel, hardened chrome vanadium, nickel plated.

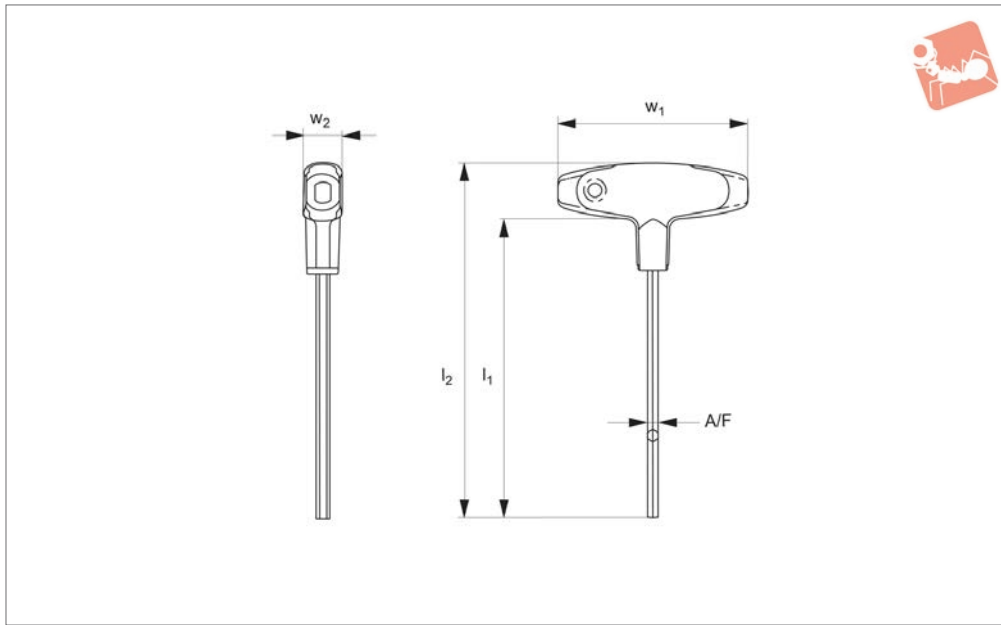
Box: red impact resistant plastic.

Parts to DIN 911 LD and ISO 2936 LD.

**Technical Notes**

High quality hex. key sets.

Order No.	Box l x w x h	Pieces	Contents A/F	Weight g
90210.W0008	265x88x17	8	2, 2,5, 3, 4, 5, 6, 8, 10	535



**90300**

HEX KEYS & WRENCHES

**Material**

Blade: steel, hardened chrome vanadium, nickel plated.

Handle: ergonomic soft red plastic.

Features hang-up hole.

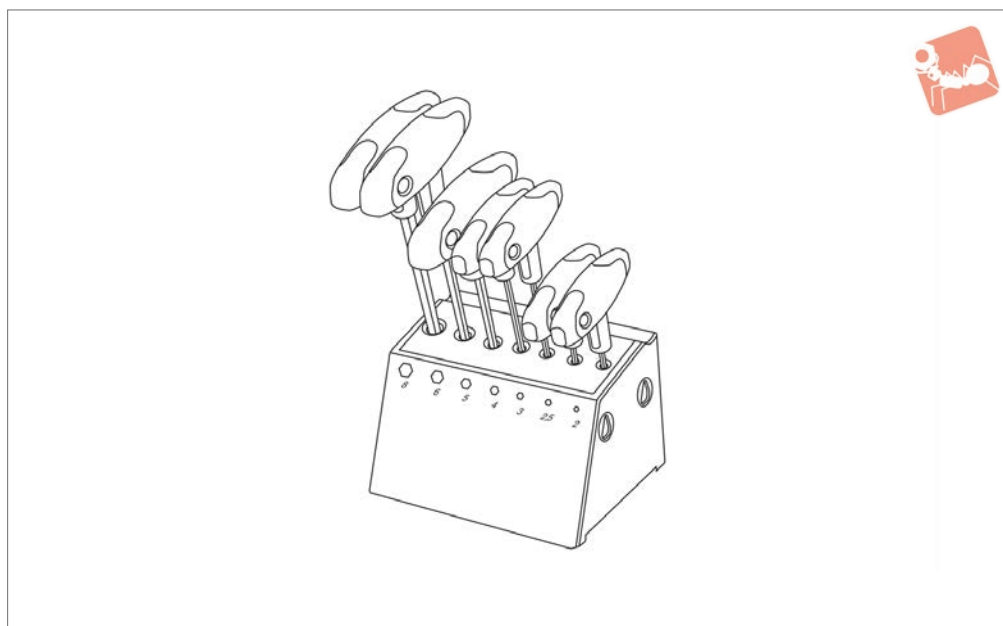
**Technical Notes**

Grip shape optimised for comfortable use.

Order No.	l <sub>1</sub>	l <sub>2</sub>	w <sub>1</sub>	w <sub>2</sub>	A/F	A/F inch	Weight g
90300.W0020	100	125	80	15.5	2	5/64"	18
90300.W0025	100	125	80	15.5	2.5	-	24
90300.W0026	200	225	80	15.5	2.5	-	30
90300.W0030	100	125	80	15.5	3	-	24
90300.W0031	150	175	80	15.5	3	-	30
90300.W0041	150	175	80	15.5	4	5/32"	36
90300.W0043	300	325	80	15.5	4	5/32"	50
90300.W0051	150	181	100	19.5	5	-	60
90300.W0053	350	381	100	19.5	5	-	100
90300.W0062	200	231	100	19.5	6	-	84
90300.W0063	350	381	100	19.5	6	-	130
90300.W0082	200	231	100	19.5	8	5/16"	125
90300.W0083	350	381	100	19.5	8	5/16"	200
90300.W0100	100	138	100	19.5	10	-	165
90300.W0102	350	338	100	19.5	10	-	350



**90310**



**Material**

Blade: steel, hardened chrome vanadium, nickel plated.  
Handle: shock resistant red plastic, with

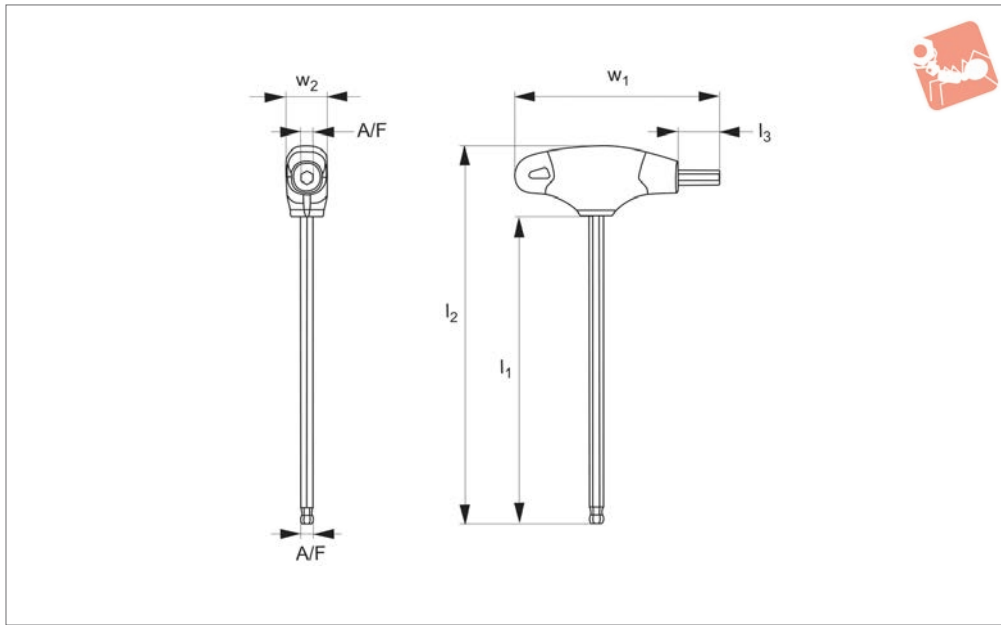
black plastic grip.

Stand: shock resistant plastic.

**Tips**

Stand features clips for connecting additional workshop stands.

Order No.	Pieces	A/F 2 x l	A/F 2,5 x l	A/F 3 x l	A/F 4 x l	A/F 5 x l	A/F 6 x l	A/F 8 x l	Weight g
90310.W0022	7	100	100	150	150	150	200	200	650



**90370**

HEX KEYS & WRENCHES

**Material**

Blade: steel, hardened chrome vanadium, nickel plated, with black tip.  
Grip: ergonomic soft red plastic.

**Technical Notes**

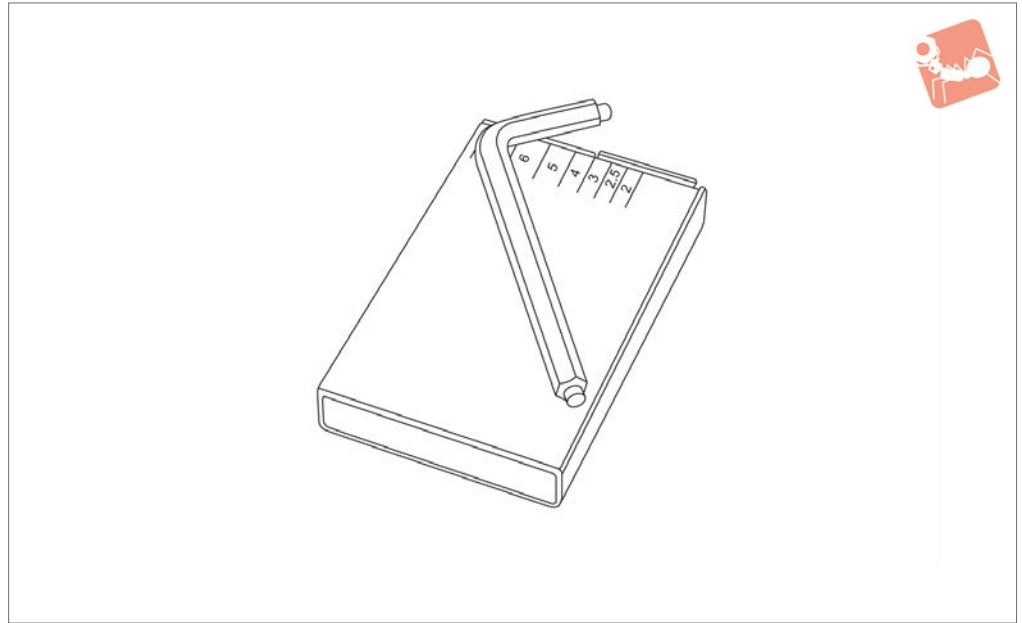
Long arm, with ball end hexagon, for speed.  
Short arm, standard hexagon, for final

tightening.

Order No.	$l_1$	$l_2$	$l_3$	$w_1$	$w_2$	A/F	Weight g
90370.W0031	125	151	15	75	16	3	25
90370.W0041	125	151	15	75	16	4	33
90370.W0051	150	184	20	100	21	5	60
90370.W0061	150	184	20	100	21	6	83



**90490**



**Material**

Key: Steel, hardened chrome vanadium, nickel plated.  
Box: red plastic, shock resistant.

**Technical Notes**

Used with socket head cap screws (DIN

6912), these hexagon keys, with pilot pin provide added security to components in a variety of applications. Sizes 2 and 2,5mm are standard hex. keys.

**Tips**

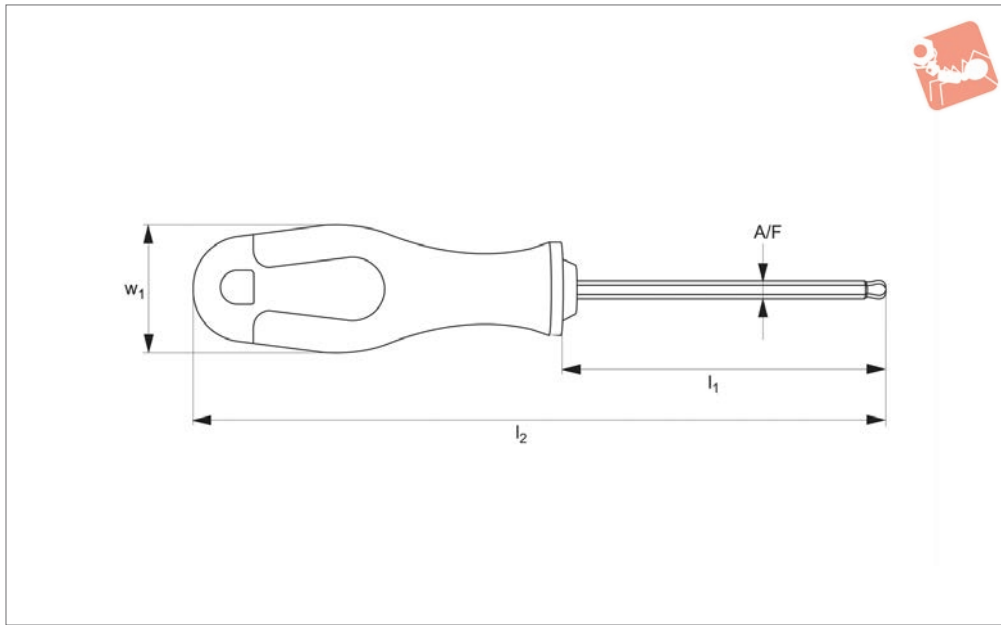
Other sizes available on request.

Order No.	Box l x w x h	Pieces	Contents A/F	Weight g
90490.W0007	133x72x14	7	2, 2,5, 3, 4, 5, 6, 8	175



# Ball-Ended Hex. Keys straight handle

## Hex Keys & Wrenches



**90510**

HEX KEYS & WRENCHES

### Material

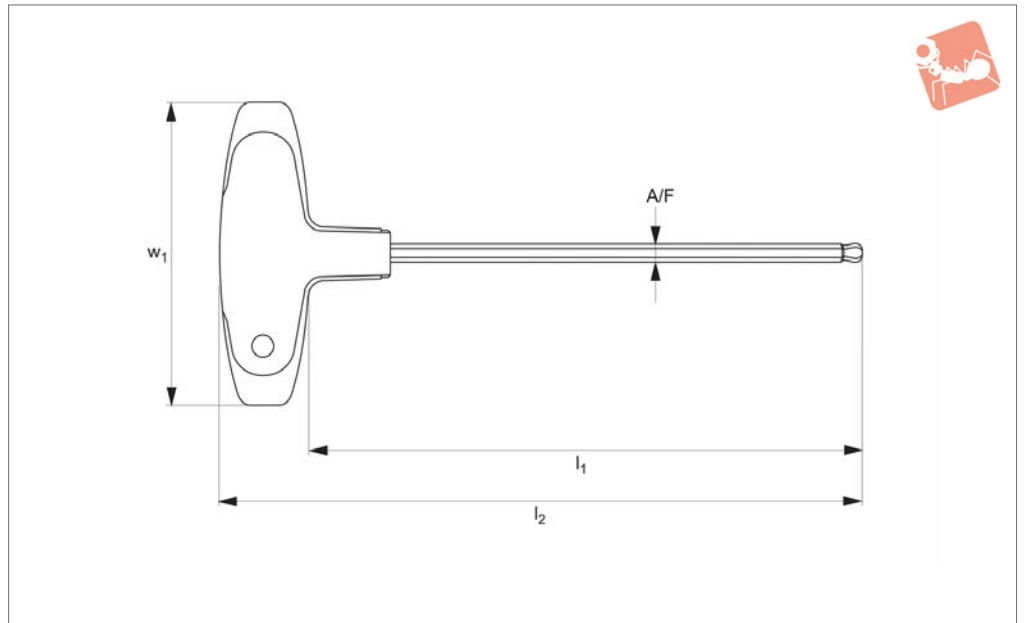
Blade: steel, hardened chrome vanadium, nickel plated

Handle: ergonomic red plastic, with soft black grip.

Order No.	$l_1$	$l_2$	$w_1$	A/F	Weight g
90510.W0002	100	190	19	2.5	35
90510.W0003	100	190	19	3.0	35
90510.W0004	100	200	21	4.0	50
90510.W0005	100	200	21	5.0	75



**90520**



**Material**

Handle: ergonomic soft red plastic handle.  
Blade: steel, hardened chrome vanadium, nickel plated.

Handle: ergonomic soft red plastic handle.

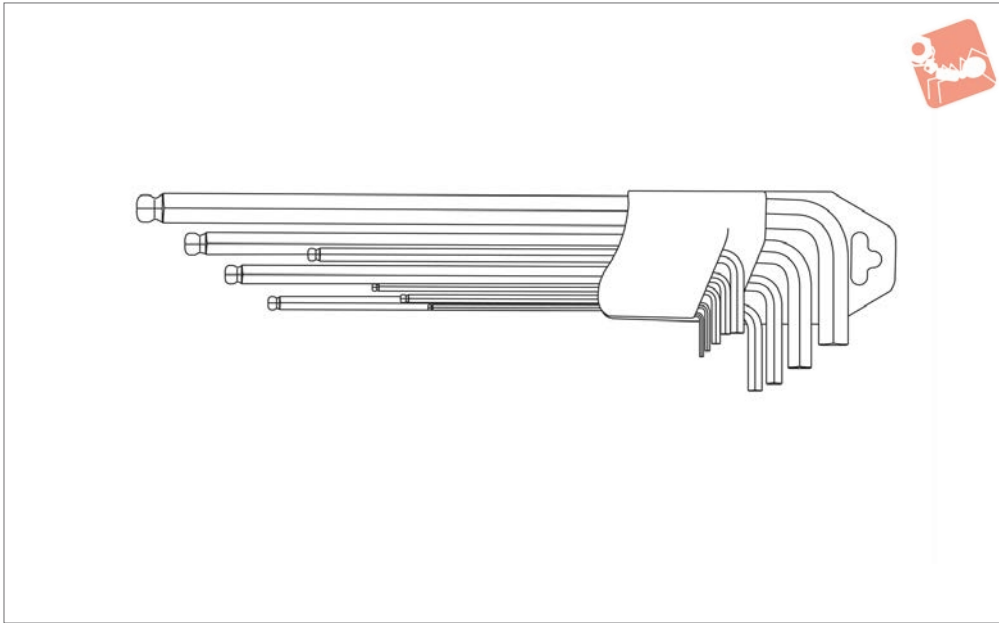
Order No.	$l_1$	$l_2$	$w_1$	A/F	Weight g
90520.W0004	150	175	80	4	40
90520.W0005	150	181	100	5	65
90520.W0006	150	181	100	6	80
90520.W0008	200	231	100	8	130





# Hex Keys Set - Ball Ended clip set - long

## Hex Keys & Wrenches



**90530**

HEX KEYS & WRENCHES

### Material

Keys: steel, hardened chrome vanadium,  
blackened or nickel plated.

Clip: ergonomic red plastic.

Order No.	Pieces	Finish	Contents A/F	Weight g
90530.W0009	9	Blackened	1,5, 2, 2,5, 3, 4, 5, 6, 8, 10	440
90530.W0109	9	Nickel Plated	1,5, 2, 2,5, 3, 4, 5, 6, 8, 10	440