

## 90620

HEX KEYS & WRENCHES

### Material

Blade: steel, hardened chrome vanadium.  
Handle: shock resistant green plastic.

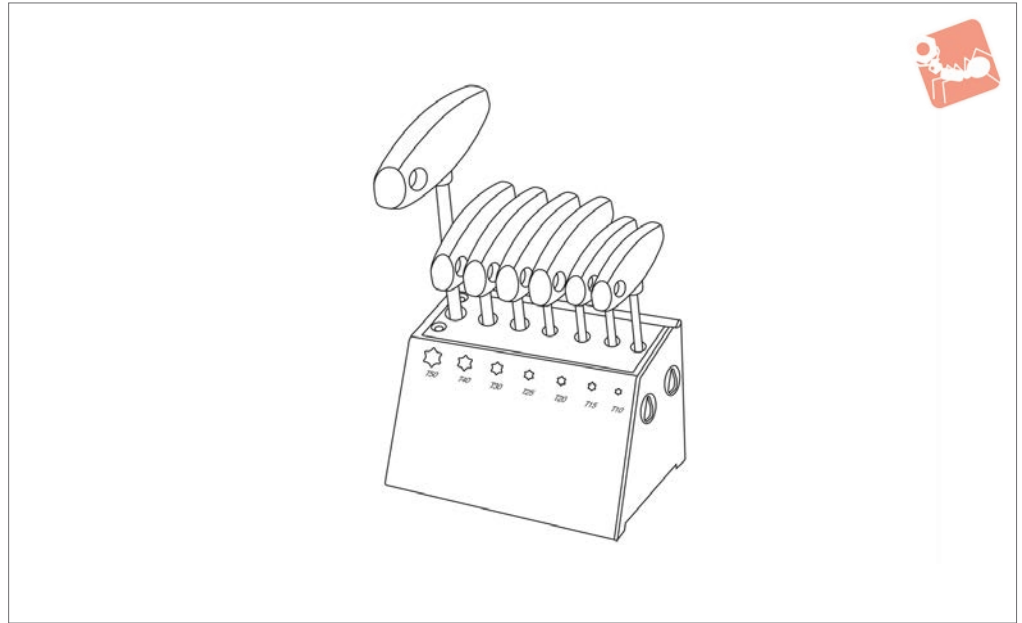
### Technical Notes

Torx is a registered trademark of Camcar/Textron Inc.

Order No.	TX size	$l_1$	$l_2$	$w_1$	$w_2$	A/F	Weight g
90620.W0009	TX 9	100	125	80	15.5	2.5	35
90620.W0010	TX 10	100	125	80	15.5	2.7	35
90620.W0015	TX 15	100	125	80	15.5	3.3	36
90620.W0020	TX 20	100	125	100	19.5	3.9	60
90620.W0025	TX 25	100	125	100	19.5	4.4	60
90620.W0027	TX 27	100	131	100	19.5	5.0	70
90620.W0030	TX 30	100	131	100	19.5	5.5	75
90620.W0040	TX 40	100	131	100	19.5	6.7	80
90620.W0050	TX 50	150	188	120	23.5	8.8	160



**90630**



**Material**

Blade: steel, hardened chrome vanadium.  
Chrome plated, with black tip.

Handle: shock resistant green plastic.

Workstand: shock resistant green plastic.

**Technical Notes**

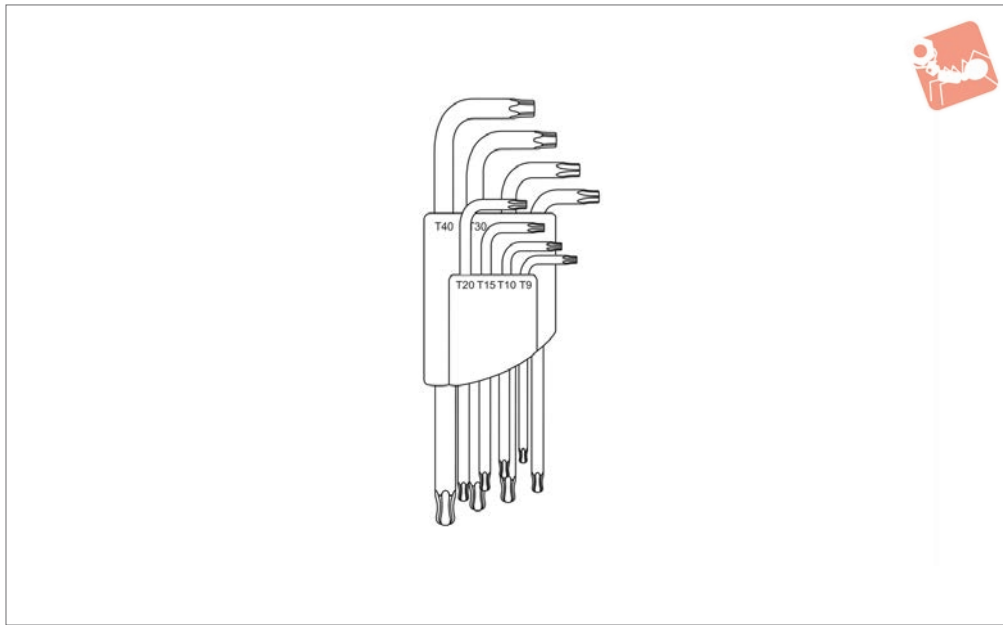
With T-handled TX keys part no. 90620.

Order No.	Pieces	TX10 x l	TX15 x l	TX20 x l	TX25 x l	TX30 x l	TX40 x l	TX50 x l	Weight g
90630.W0001	7	100	100	100	100	100	100	150	660



# TX Key Set ball-ended - clipset

## Hex Keys & Wrenches



90640

HEX KEYS & WRENCHES

### Material

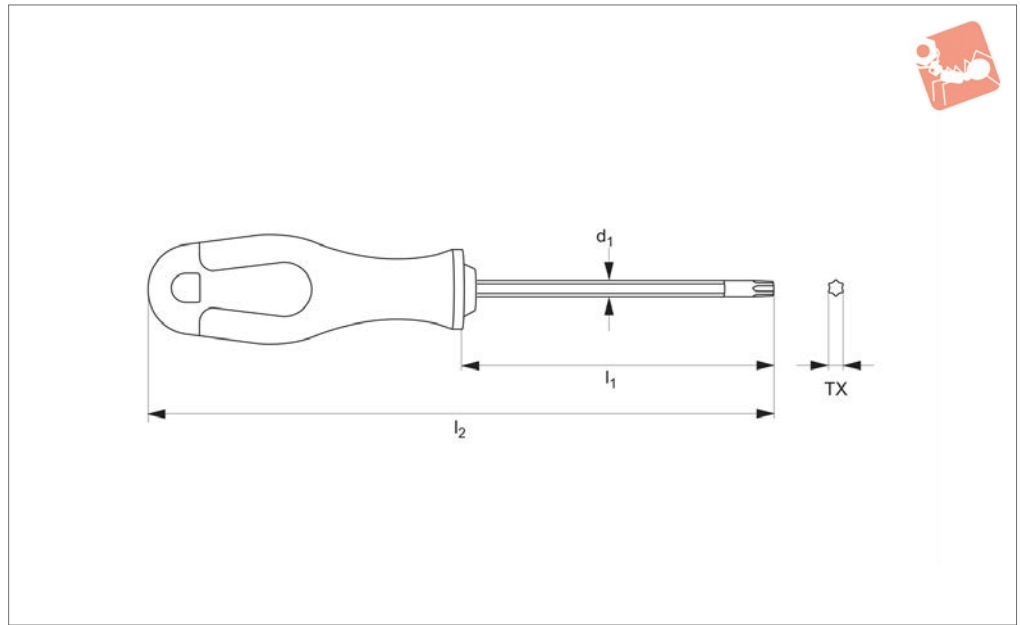
Blade: steel, hardened chrome vanadium, blackened.

Clip: green and black impact resistant plastic.

Order No.	Pieces	Contents TX	Weight g
90640.W0008	8	TX9, TX10, TX15, TX20, TX25, TX27, TX30, TX40	165



**90650**

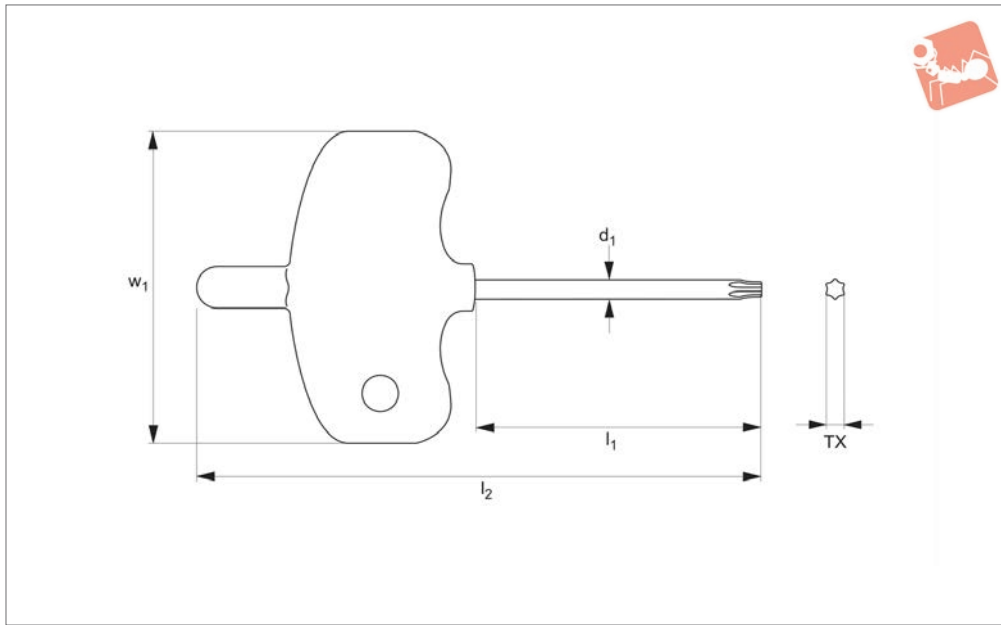
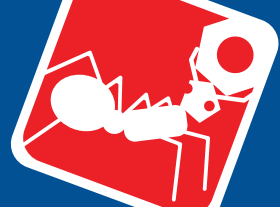


**Material**

Blade: steel, hardened chrome vanadium, blackened.

Handle: green and black impact resistant plastic.

Order No.	TX	d <sub>1</sub>	l <sub>1</sub>	l <sub>2</sub>	Weight g
90650.W0008	TX 8	2.3	60	140	37
90650.W0009	TX 9	2.5	60	140	37
90650.W0010	TX10	2.7	80	160	39
90650.W0015	TX15	3.3	80	170	41
90650.W0020	TX20	3.9	100	190	56
90650.W0025	TX25	4.4	100	200	60



## 90670

HEX KEYS & WRENCHES

### Material

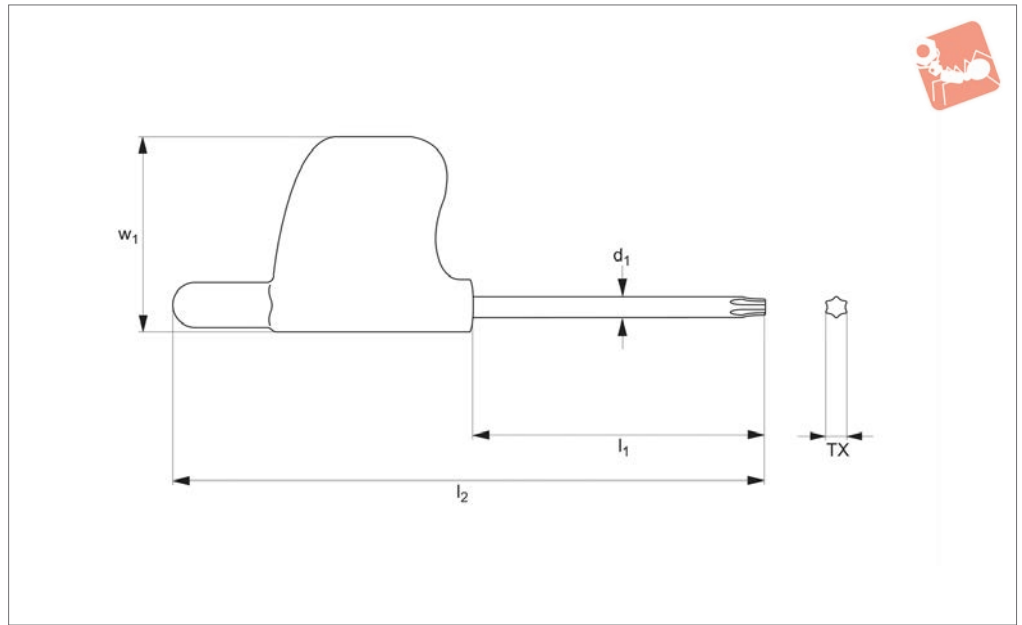
Blade: steel, hardened chrome vanadium, blackened.

Handle: shock resistant green plastic.

Order No.	TX	$d_1$	$l_1$	$l_2$	$w_1$	Weight g
90670.W0006	TX 6	1.7	35	70	38	14
90670.W0007	TX 7	2.0	35	70	38	14
90670.W0008	TX 8	2.3	40	75	38	14
90670.W0009	TX 9	2.5	40	75	38	15
90670.W0010	TX10	2.7	40	75	38	15



**90680**



**Material**

Blade: steel, hardened chrome vanadium.

Handle: shock resistant green plastic.

Order No.	TX	d <sub>1</sub>	l <sub>1</sub>	l <sub>2</sub>	w <sub>1</sub>	Weight g
90680.W0005	TX 5	1.4	35	69	22	4
90680.W0006	TX 6	1.7	35	69	22	4
90680.W0007	TX 7	2.0	35	69	22	4
90680.W0008	TX 8	2.3	40	74	22	6
90680.W0009	TX 9	2.5	40	74	22	6
90680.W0010	TX10	2.7	40	74	22	7
90680.W0015	TX15	3.3	45	79	22	8
90680.W0020	TX20	3.9	45	79	22	8