

91990

HEX KEYS & WRENCHES

Material

Steel, zinc plated.

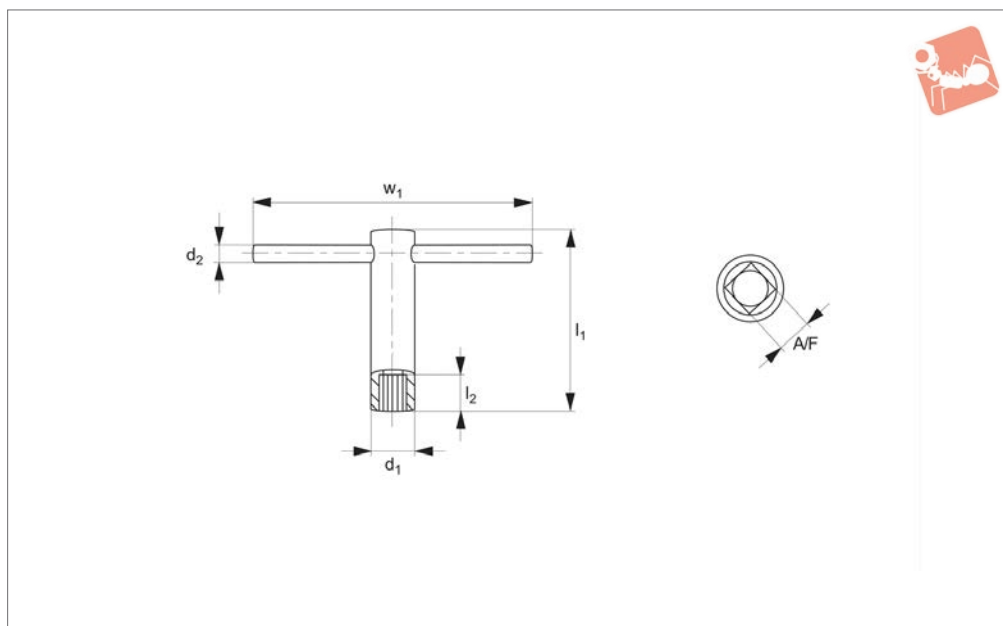
Technical Notes

For use with triangular screws to DIN 22424, and triangular nuts to DIN 22425.

Order No.	For thread	d ₁	d ₂	l ₁	l ₂	w ₁	w ₂	w ₃	Weight g
91990.W0004	M 4	9	4	90	4	50	7.7	6.8	20
91990.W0005	M 5	12	6	100	5	65	9.4	8.3	30
91990.W0006	M 6	14	6	115	6	80	11.4	10.1	60
91990.W0008	M 8	16	8	125	8	100	13.7	12.1	80
91990.W0010	M10	20	8	140	10	125	17.1	15.1	160
91990.W0012	M12	20	10	160	12	160	18.9	16.6	240
91990.W0016	M16	25	12	180	16	200	23.5	20.6	400



92000



Material

Steel (C35/C45).

Body and socket: tempered, hardened and

brown finish.

Technical Notes

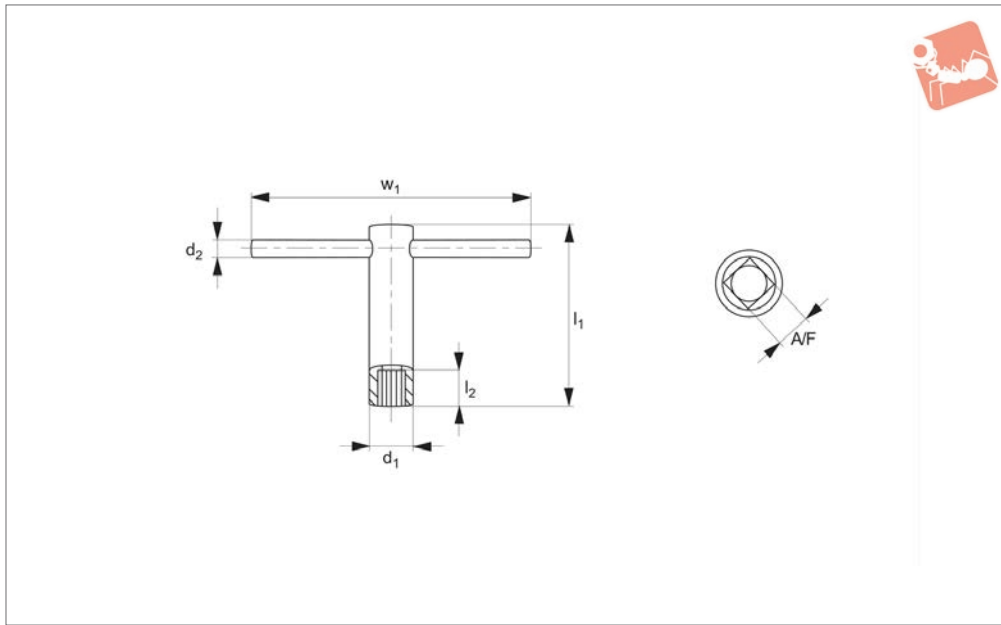
Produced to DIN 904.

Order No.	A/F	d ₁	d ₂	l ₁	l ₂	w ₁	Weight g
92000.W0004	4	12.0	6.0	60	11	160	85
92000.W0005	5	12.0	6.0	60	11	160	85
92000.W0006	6	12.0	6.0	80	12	160	100
92000.W0007	7	14.6	6.0	80	15	160	130
92000.W0008	8	16.0	9.0	80	15	180	180
92000.W0009	9	18.0	9.0	100	18	180	245
92000.W0010	10	20.0	11.0	100	18	200	340
92000.W0012	12	24.0	12.0	100	21	250	520
92000.W0013	13	24.0	12.0	100	22	250	520
92000.W0014	14	28.0	14.6	120	24	320	875
92000.W0017	17	34.0	16.0	160	28	400	1625
92000.W0019	19	36.0	16.0	200	30	400	2035
92000.W0022	22	42.0	18.0	200	34	500	2900
92000.W0024	24	45.0	20.0	250	36	630	4270



Square Drive Socket T-Wrench - Long

long - female



92010

HEX KEYS & WRENCHES

Material

Body: steel (C35/C45).

Socket: tempered, hardened and brown

finish.

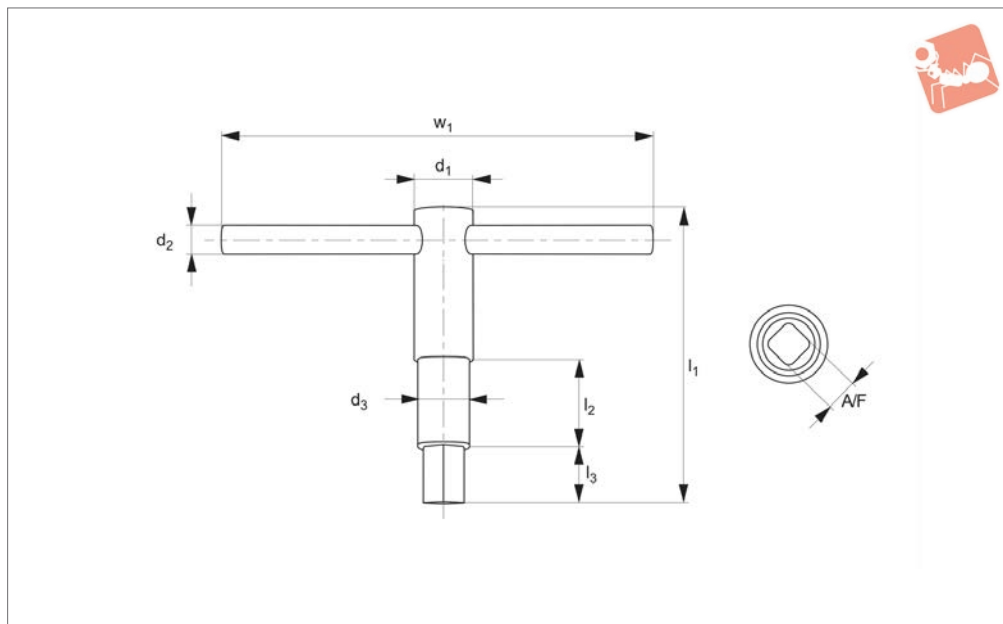
Technical Notes

Produced to DIN 904L.

Order No.	A/F	d ₁	d ₂	l ₁	l ₂	w ₁	Weight g
92010.W0005	5	12	6.0	120	11	160	100
92010.W0006	6	12	6.0	160	12	160	110
92010.W0008	8	16	9.0	160	15	180	210
92010.W0009	9	18	9.0	200	18	200	390
92010.W0010	10	20	11.0	200	18	200	390
92010.W0012	12	24	12.0	200	21	250	600
92010.W0013	13	24	12.0	200	22	250	600
92010.W0014	14	28	14.6	200	24	320	795
92010.W0017	17	34	16.0	250	28	400	1500
92010.W0019	19	36	16.0	320	30	400	1700



92050



Material

Body and socket; steel (C35/C45), tempered, hardened and with brown finish.

Technical Notes

Produced to DIN 905.
92050.W0004 and 92050.W0007 are not to

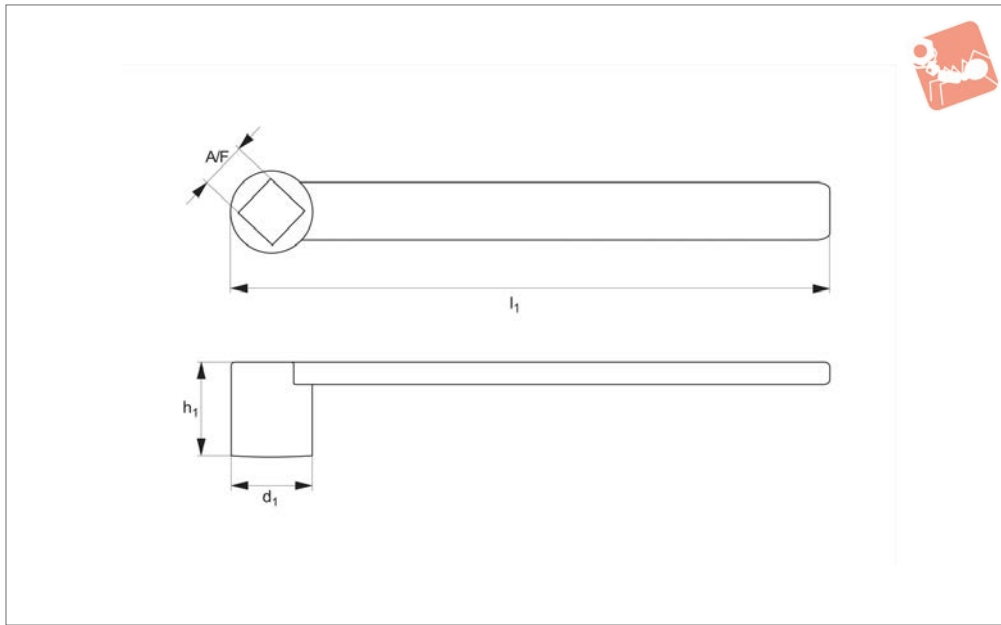
DIN standard.

Order No.	A/F	d ₁	d ₂	d ₃	l ₁	l ₂	l ₃	w ₁	Weight g
92050.W0004	-4	12.0	6.0	6	60	20	9	160	70
92050.W0005	5	12.0	6.0	8	60	20	11	160	70
92050.W0006	6	12.0	6.0	10	80	22	12	160	80
92050.W0007	-7	14.6	6.0	12	80	26	15	160	115
92050.W0008	8	16.0	9.0	14	80	26	15	180	180
92050.W0009	9	16.0	9.0	14	80	26	17	180	180
92050.W0010	10	20.0	11.0	18	100	30	18	200	320
92050.W0011	11	20.0	11.0	18	100	30	20	200	320
92050.W0012	12	24.0	12.0	20	100	38	21	250	450
92050.W0013	13	24.0	12.0	20	100	38	22	250	450
92050.W0014	14	28.0	14.6	22	120	38	24	320	780
92050.W0017	17	34.0	16.0	25	160	50	28	400	1500
92050.W0019	19	36.0	16.0	28	200	50	30	400	1850
92050.W0022	22	42.0	20.0	32	200	65	34	630	3100



Square Socket Wrench female

Hex Keys & Wrenches



92060

HEX KEYS & WRENCHES

Material

Steel (C35/C45) hardened, tempered, with brown finish.

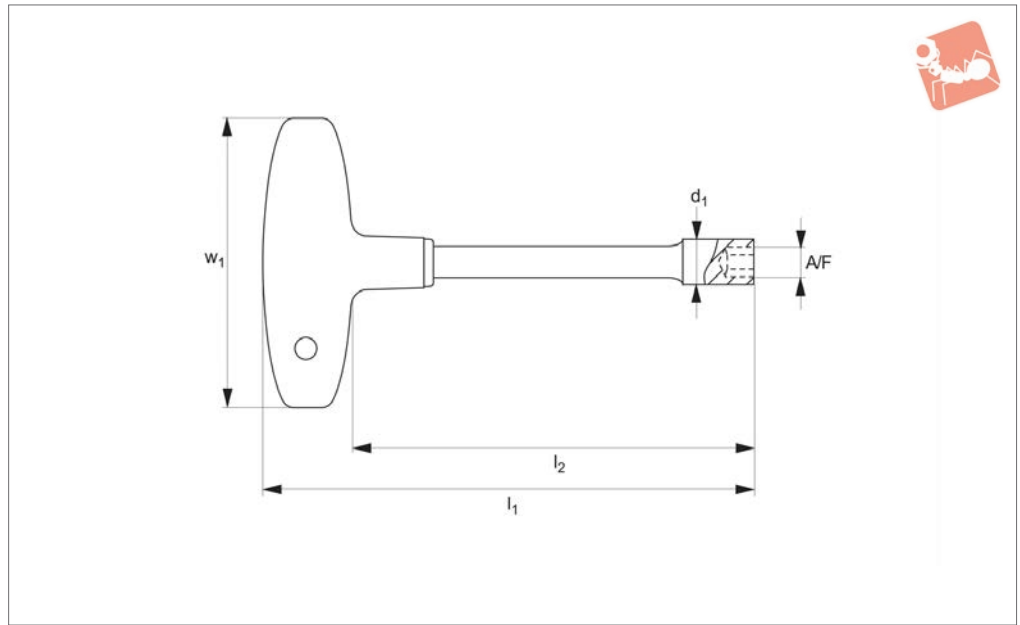
Technical Notes

Produced to DIN 248.

Order No.	A/F	d ₁	h ₁	l ₁	Weight g
92060.W0008	8	17	20.0	160	85
92060.W0010	10	21	22.5	195	165
92060.W0012	12	24	26.5	235	275
92060.W0013	13	26	27.5	250	300
92060.W0014	14	27	30.5	270	420
92060.W0017	17	30	37.0	315	530
92060.W0019	19	35	41.0	345	715
92060.W0022	22	39	46.0	385	900
92060.W0024	24	43	49.0	415	975



92070



Material

Blade: chrome vanadium, hardened, chrome plated.

Handle: shock resistant black plastic.

Order No.	A/F	d ₁	l ₁	l ₂	w ₁	Weight g
92070.W0008	8	16	151	125	100	140
92070.W0010	10	17	151	125	100	150