

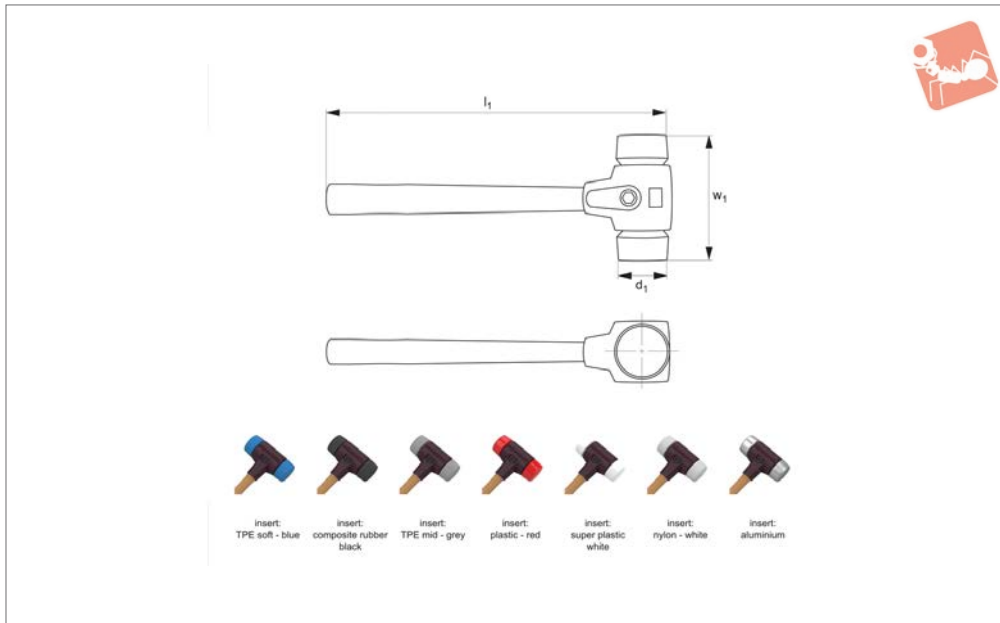


# Simplex Mallets - Complete

cast iron housing - wooden handle



## Mallets & Hammers



**98001**

MALLETS & HAMMERS

### Material

Handle: wood.  
Housing: cast iron.  
Inserts: see table.

### Technical Notes

For full details of inserts see part no.

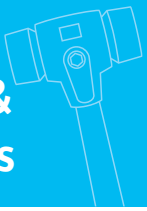
98004.

### Tips

Simplex mallets are a flexible modular system with replaceble handle, housing and inserts. Suitable replacement items for Simplex Mallet 98001 are;

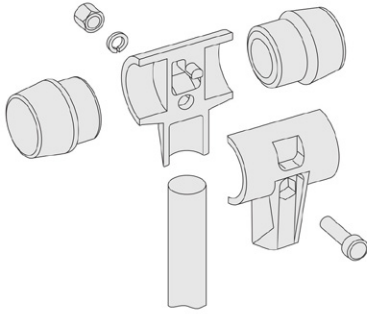
- handle no. 98003
- housing no. 98002
- inserts no. 98004

Order No.	Inserts	Ø d <sub>1</sub>	w <sub>1</sub>	l <sub>1</sub>	Weight g
98001.W0130	TPE Soft - Blue	30	90	300	345
98001.W0140	TPE Soft - Blue	40	110	330	620
98001.W0150	TPE Soft - Blue	50	135	350	1170
98001.W0160	TPE Soft - Blue	60	145	405	1530
98001.W0230	Composite Rubber - Black	30	90	300	340
98001.W0240	Composite Rubber - Black	40	110	330	650
98001.W0250	Composite Rubber - Black	50	135	350	1170
98001.W0260	Composite Rubber - Black	60	145	405	1600
98001.W0280	Composite Rubber - Black	80	175	490	2950
98001.W0330	TPE - Mid Grey	30	90	300	335
98001.W0340	TPE - Mid Grey	40	110	330	600
98001.W0350	TPE - Mid Grey	50	135	350	1070
98001.W0360	TPE - Mid Grey	60	145	405	1420
98001.W0430	Plastic - Red	30	90	300	345
98001.W0440	Plastic - Red	40	110	330	635
98001.W0450	Plastic - Red	50	135	350	1120
98001.W0460	Plastic - Red	60	145	405	1520
98001.W0530	Superplastic - White	30	90	300	320
98001.W0540	Superplastic - White	40	110	330	610
98001.W0550	Superplastic - White	50	135	350	1040
98001.W0560	Superplastic - White	60	145	405	1440
98001.W0580	Superplastic - White	80	175	490	2660
98001.W0630	Nylon - White	30	90	300	340
98001.W0640	Nylon - White	40	110	330	650
98001.W0650	Nylon - White	50	135	350	1130
98001.W0660	Nylon - White	60	145	405	1500
98001.W0680	Nylon - White	80	175	490	2880
98001.W0730	Aluminium	30	90	300	400
98001.W0740	Aluminium	40	110	330	750
98001.W0750	Aluminium	50	135	350	1380
98001.W0760	Aluminium	60	145	405	1950



Order No.	Inserts	$\varnothing d_1$	$w_1$	$l_1$	Weight g
98001.W0780	Aluminium	80	175	490	3860

MALLETS & HAMMERS



modular system houses different inserts, allowing the mallets to be customised for your applicators.

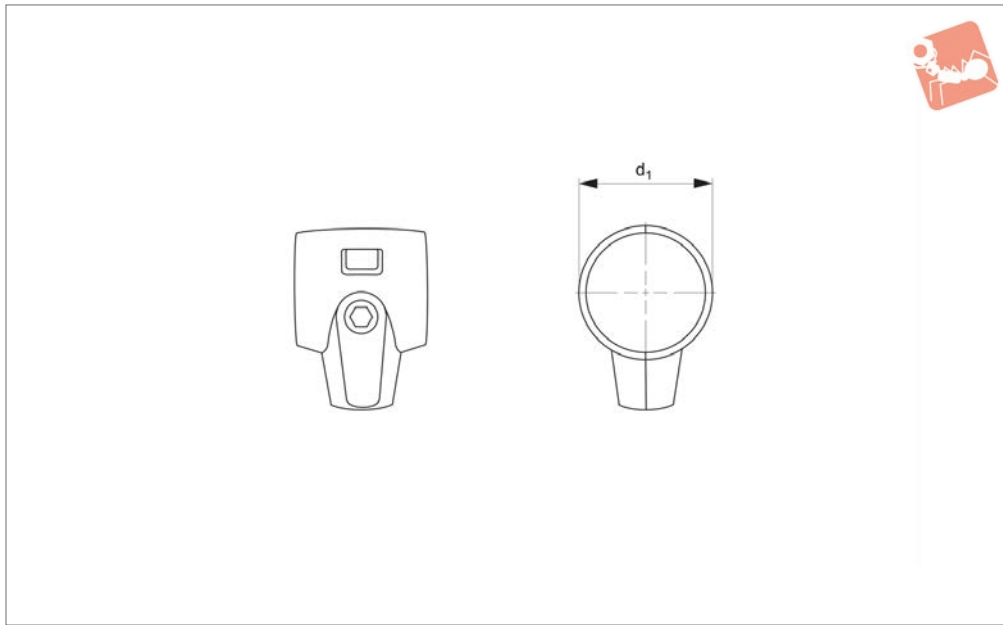


# Housing - for Simplex Mallets

cast iron - for no. 98001 and 98201



## Mallets & Hammers



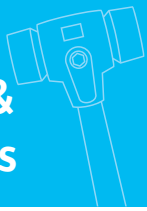
**98002**

MALLETS & HAMMERS

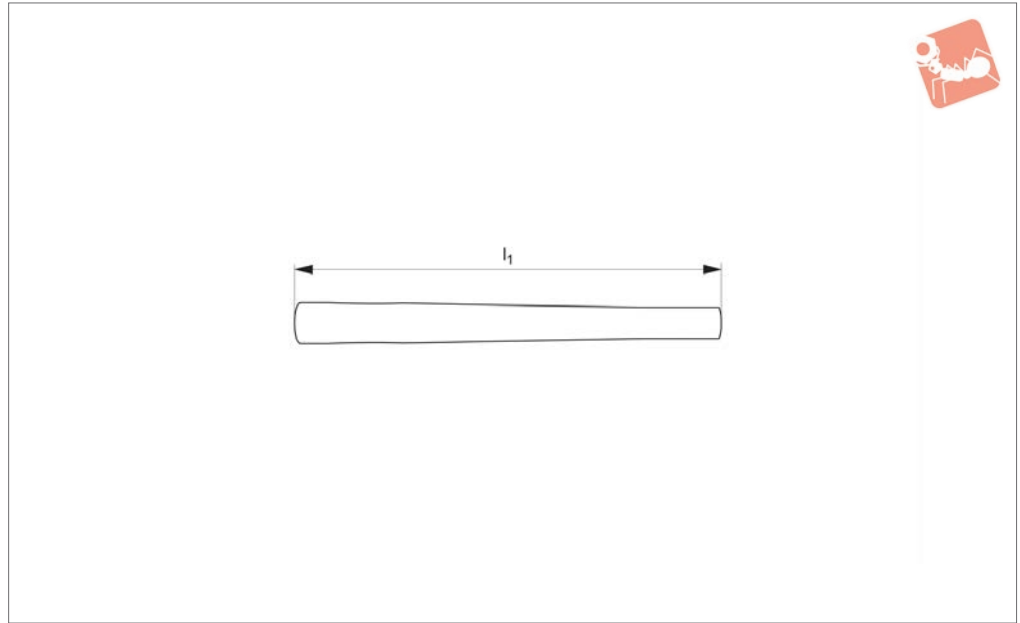
### Material

Cast iron housing (two parts to complete the mallet head housing).

Order No.	For mallet head dia. $d_1$	$d_1$
98002.W0131	30	30
98002.W0141	40	40
98002.W0151	50	50
98002.W0161	60	60
98002.W0181	80	80
98002.W0191	100	100
98002.W1101	125/140	125/140



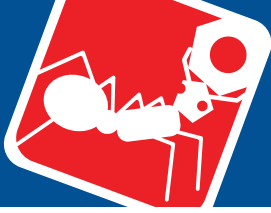
**98003**



**Material**

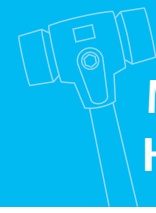
Wood.

Order No.	For mallet head dia. $d_1$	$l_1$
98003.W0231	30	260
98003.W0241	40	275
98003.W0251	50	310
98003.W0261	60	335
98003.W0281	80	395

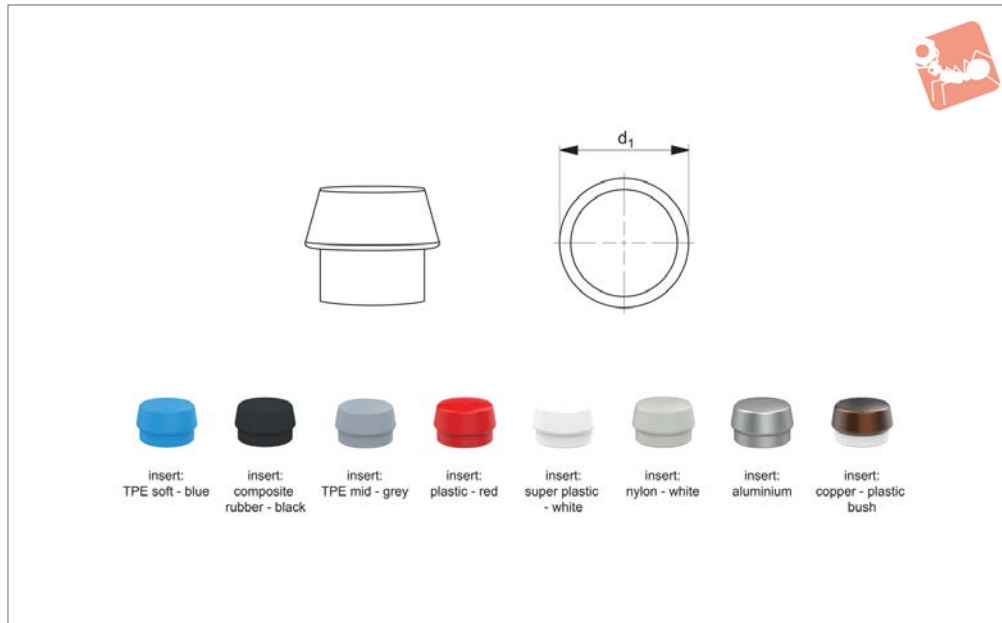


# Inserts - for Simplex Mallets

for no. 98001, 98103 & 98101



## Mallets & Hammers



**98004**

MALLETS & HAMMERS

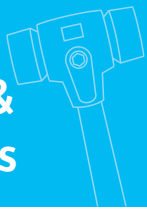
### Important Notes

Aluminium inserts, part nos. 98004.W0733-W0788 not for use in light alloy

housings part no. 98022.  
Copper inserts part no. 98004.W0833 and W0844 only for use in reinforced housing

part no. 98002.

Order No.	For mallet head dia. $d_1$	Insert type
98004.W0133	30	TPE Soft - Blue
98004.W0144	40	TPE Soft - Blue
98004.W0155	50	TPE Soft - Blue
98004.W0166	60	TPE Soft - Blue
98004.W0233	30	Composite Rubber - Black
98004.W0244	40	Composite Rubber - Black
98004.W0255	50	Composite Rubber - Black
98004.W0266	60	Composite Rubber - Black
98004.W0288	80	Composite Rubber - Black
98004.W0333	30	TPE Mid - Grey
98004.W0344	40	TPE Mid - Grey
98004.W0355	50	TPE Mid - Grey
98004.W0366	60	TPE Mid - Grey
98004.W0433	30	Plastic - Red
98004.W0444	40	Plastic - Red
98004.W0455	50	Plastic - Red
98004.W0466	60	Plastic - Red
98004.W0533	30	Superplastic - White
98004.W0544	40	Superplastic - White
98004.W0555	50	Superplastic - White
98004.W0566	60	Superplastic - White
98004.W0588	80	Superplastic - White
98004.W0600	100	Superplastic - White
98004.W0611	125	Superplastic - White
98004.W0622	140	Superplastic - White
98004.W0633	30	Nylon - White
98004.W0644	40	Nylon - White
98004.W0655	50	Nylon - White
98004.W0666	60	Nylon - White
98004.W0688	80	Nylon - White
98004.W0733	30	Aluminium
98004.W0744	40	Aluminium
98004.W0755	50	Aluminium
98004.W0766	60	Aluminium
98004.W0788	80	Aluminium

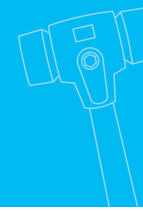


Order No.	For mallet head dia. $d_1$	Insert type
98004.W0833	30	Copper - With Plastic Bush
98004.W0844	40	Copper - With Plastic Bush

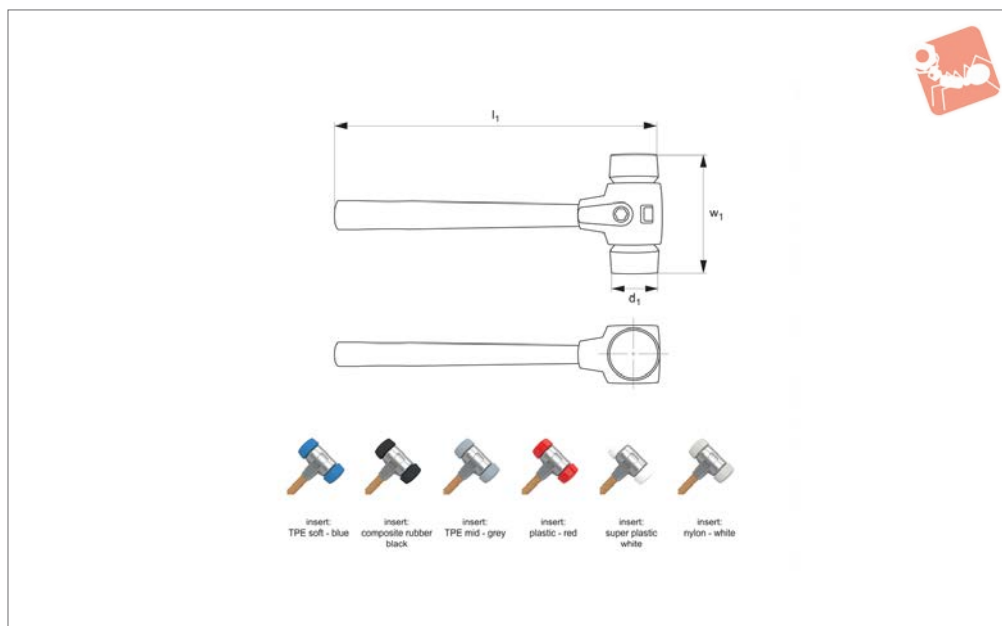


# Simplex Mallets - Complete

light alloy housing - wooden handle



## Mallets & Hammers



**98021**

MALLETS & HAMMERS

### Material

Handle: wood.  
Housing: light alloy.  
Inserts: see table.

### Technical Notes

For full range of inserts see part no. 98004.

### Tips

Simplex mallets are a flexible modular system with replaceable handle, housing and inserts. Suitable replacement items for Simplex Mallet 98021 are;

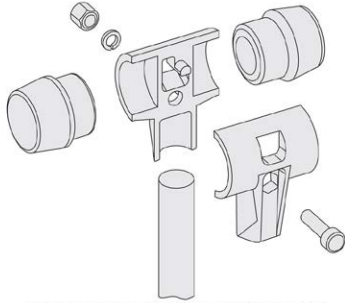
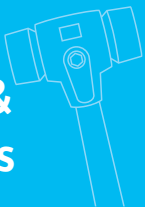
- handle no. 98003

- housing no. 98022  
- inserts no. 98004

### Important Notes

Soft metal inserts (nos. 98004.W0733-W0788) must not be used in light alloy housing mallets.

Order No.	Insert type	Ø d <sub>1</sub>	w <sub>1</sub>	l <sub>1</sub>	Weight g
98021.W0130	TPE - Soft Blue	30	90	300	200
98021.W0140	TPE - Soft Blue	40	110	330	360
98021.W0150	TPE - Soft Blue	50	135	350	655
98021.W0160	TPE - Soft Blue	60	145	405	825
98021.W0230	TPE - Rubber	30	90	300	210
98021.W0240	TPE - Rubber	40	110	330	405
98021.W0250	TPE - Rubber	50	135	350	740
98021.W0260	TPE - Rubber	60	145	405	980
98021.W0330	TPE - Mid Grey	30	90	300	205
98021.W0340	TPE - Mid Grey	40	110	330	360
98021.W0350	TPE - Mid Grey	50	135	350	635
98021.W0360	TPE - Mid Grey	60	145	405	825
98021.W0430	Plastic - Red	30	90	300	205
98021.W0440	Plastic - Red	40	110	330	390
98021.W0450	Plastic - Red	50	135	350	635
98021.W0460	Plastic - Red	60	145	405	920
98021.W0530	Superplastic - White	30	90	300	215
98021.W0540	Superplastic - White	40	110	330	360
98021.W0550	Superplastic - White	50	135	350	675
98021.W0560	Superplastic - White	60	145	405	855
98021.W0630	Nylon - White	30	90	300	215
98021.W0640	Nylon - White	40	110	330	395
98021.W0650	Nylon - White	50	135	350	720
98021.W0660	Nylon - White	60	145	405	930



modular system houses different inserts, allowing the mallets to be customised for your applications





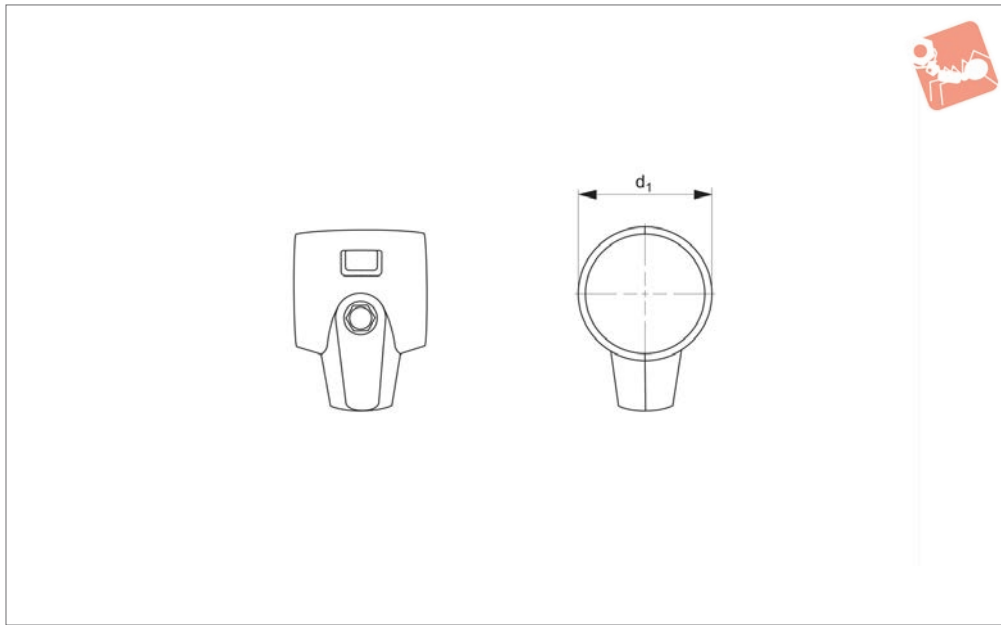


# Housing - for Simplex Mallets

light alloy - for no. 98021



## Mallets & Hammers



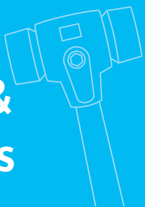
**98022**

MALLETS & HAMMERS

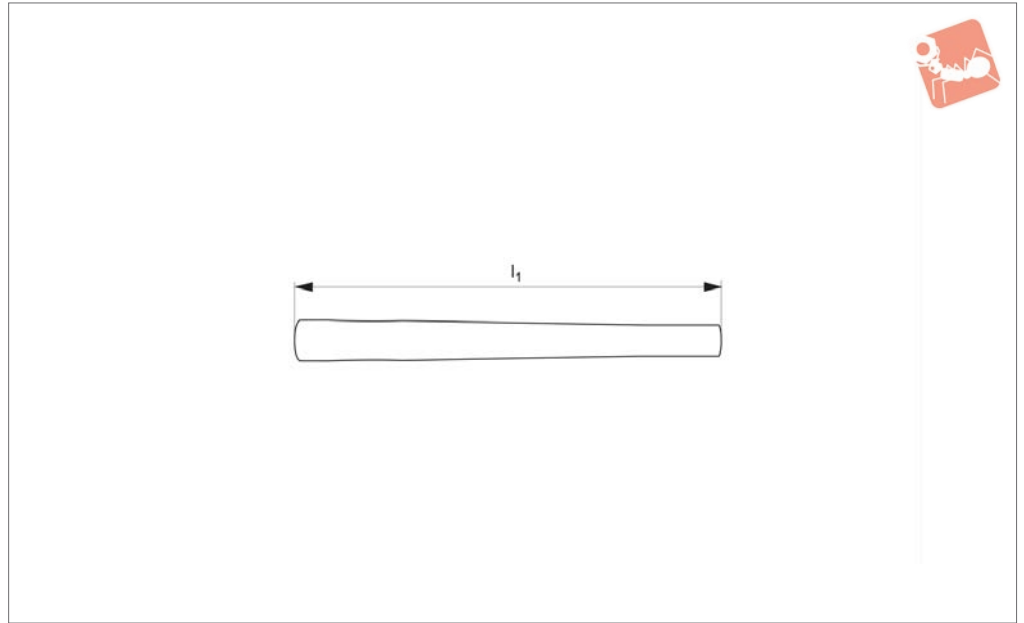
### Material

Light alloy housing (two parts).

Order No.	For mallet head dia. $d_1$	$d_1$
98022.W0131	30	30
98022.W0141	40	40
98022.W0151	50	50
98022.W0161	60	60



98023



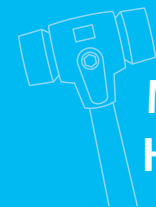
**Material**

Wooden handle.

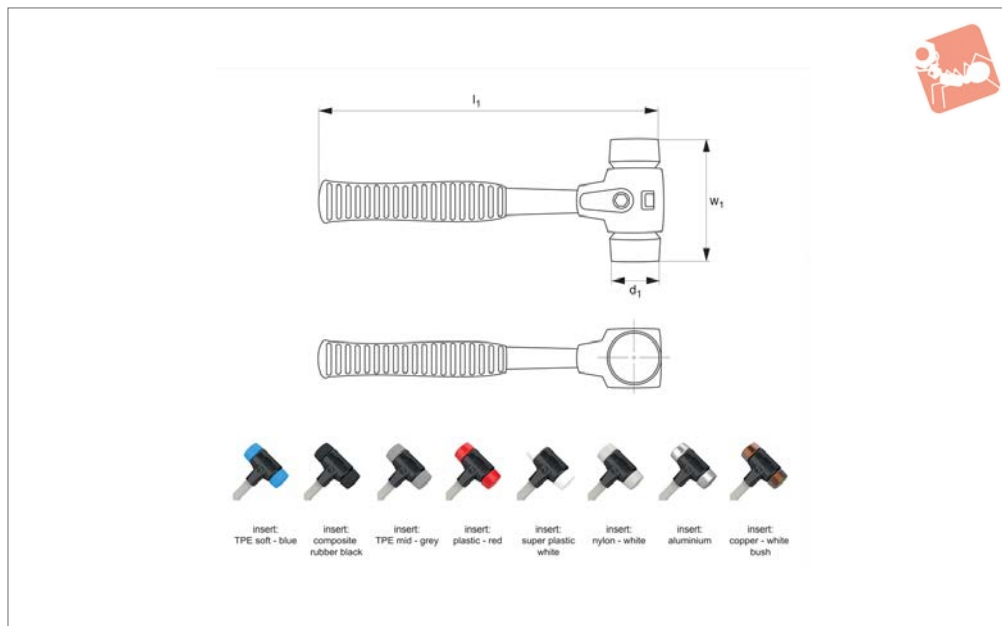
Order No.	For mallet head dia. $d_1$	$l_1$
98023.W0231	30	260
98023.W0241	40	270
98023.W0251	50	310
98023.W0261	60	335
98023.W0281	80	395



# Simplex Mallets - Complete reinforced cast iron housing - fibreglass handle



## Mallets & Hammers



**98101**

MALLETS & HAMMERS

### Material

Handle: fibreglass.  
Housing: reinforced cast iron.  
Inserts: see table.

98004.

### Tips

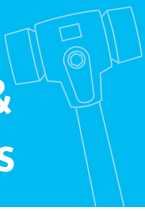
Simplex mallets are a flexible modular system with replaceable handle, housing and inserts. Suitable replacement items for Simplex Mallet 98101 are;

- handle no. 98103
- housing no. 98102
- inserts no. 98004

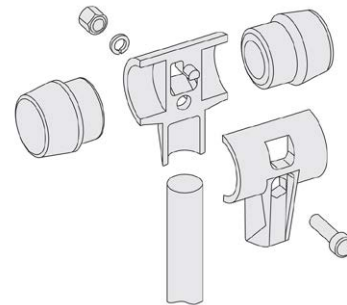
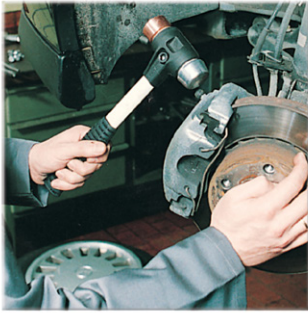
### Technical Notes

For full details of inserts see part no.

Order No.	Inserts	$\varnothing d_1$	$w_1$	$l_1$	Weight g
98101.W0130	TPE Soft - Blue	30	90	300	450
98101.W0140	TPE Soft - Blue	40	110	330	850
98101.W0150	TPE Soft - Blue	50	135	330	1190
98101.W0160	TPE Soft - Blue	60	145	410	1710
98101.W0230	Composite Rubber - Black	30	90	300	460
98101.W0240	Composite Rubber - Black	40	110	330	890
98101.W0250	Composite Rubber - Black	50	135	330	1250
98101.W0260	Composite Rubber - Black	60	145	410	1830
98101.W0280	Composite Rubber - Black	80	175	490	3420
98101.W0330	TPE Mid - Grey	30	90	300	450
98101.W0340	TPE Mid - Grey	40	110	330	850
98101.W0350	TPE Mid - Grey	50	135	330	1170
98101.W0360	TPE Mid - Grey	60	145	410	1710
98101.W0430	Plastic - Red	30	90	300	450
98101.W0440	Plastic - Red	40	110	330	870
98101.W0450	Plastic - Red	50	135	330	1230
98101.W0460	Plastic - Red	60	145	410	1800
98101.W0530	Superplastic - White	30	90	300	450
98101.W0540	Superplastic - White	40	110	330	860
98101.W0550	Superplastic - White	50	135	330	1200
98101.W0560	Superplastic - White	60	145	410	1750
98101.W0580	Superplastic - White	80	175	490	3240
98101.W0630	Nylon - White	30	90	300	460
98101.W0640	Nylon - White	40	110	330	880
98101.W0650	Nylon - White	50	135	330	1240
98101.W0660	Nylon - White	60	145	410	1820
98101.W0680	Nylon - White	80	175	490	3390
98101.W0730	Aluminium	30	90	300	520
98101.W0740	Aluminium	40	110	330	1000
98101.W0750	Aluminium	50	135	330	1490
98101.W0760	Aluminium	60	145	410	2240



Order No.	Inserts	$\varnothing d_1$	$w_1$	$l_1$	Weight g
98101.W0780	Aluminium	80	175	490	4290
98101.W0830	Copper - With Bush	30	90	300	690
98101.W0840	Copper - With Bush	40	110	330	1410

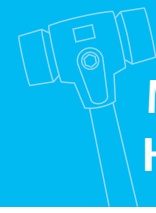


modular system houses different inserts, allowing the mallets to be customised for your applications

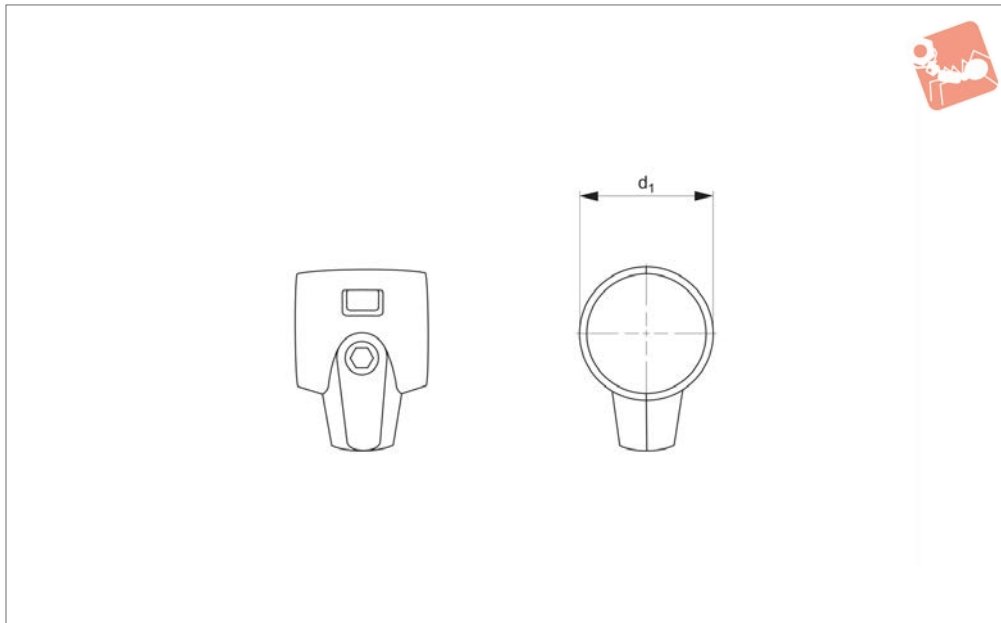


# Housing - for Simplex Mallets

reinforced cast iron housing - for no. 98101



## Mallets & Hammers



**98102**

MALLETS & HAMMERS

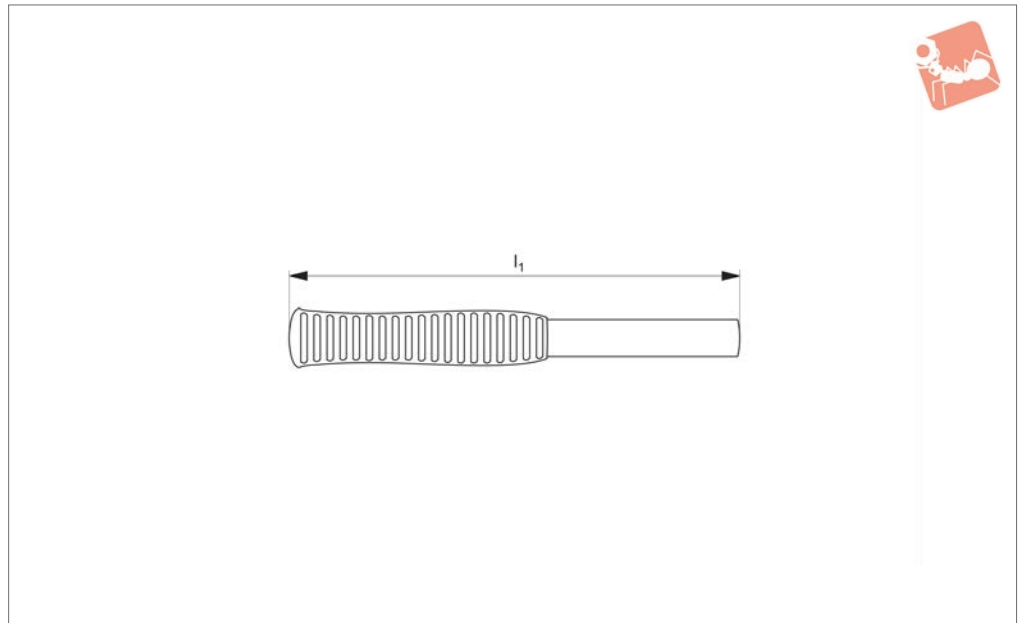
### Material

Reinforced housing (two parts, malleable cast iron).

Order No.	For mallet head dia. $d_1$	$d_1$
98102.W0131	30	30
98102.W0141	40	40
98102.W0151	50	50
98102.W0161	60	60
98102.W0181	80	80



**98103**



**Material**

Handle: fibreglass.

Grip: rubber.

Order No.	For mallet head $d_1$	$l_1$
98103.W0231	30	260
98103.W0241	40/50	267
98103.W0261	60	340
98103.W0281	80	400
98103.W0282	80	700



## Application Selection Chart

Application selection chart

TPE-soft	Com-posite rubber	TPE-mid	Plastic	Super plastic	Nylon	Alu	Copper	98301 wood	98301 steel	98301 fibre	98310	98321	98401	98330
Soft	Med	Med	Hard	Med	Hard	Hard	Hard							
Range of inserts for Simplex mallets 98001 to 98224								Range of mallet handle types						

### Construction applications

	TPE-soft	Com-posite rubber	TPE-mid	Plastic	Super plastic	Nylon	Alu	Copper	98301 wood	98301 steel	98301 fibre	98310	98321	98401	98330
Paving		•	•			•									
Floor tiling	•		•												
Curbstone setting / Masonry work		•			•										
Concrete form set-up		•		•											
Scaffold construction		•		•	•	•									
Tent and hall construction					•	•			•						
Gardening and landscaping		•			•										
Home construction		•	•												

### Metal-working industry applications

	TPE-soft	Com-posite rubber	TPE-mid	Plastic	Super plastic	Nylon	Alu	Copper	98301 wood	98301 steel	98301 fibre	98310	98321	98401	98330
Automotive assembly and repair work				•	•	•	•	•	•	•	•	•	•	•	•
Positioning of workpieces in a vice									•	•	•	•	•		
Straightening work							•		•	•	•	•			
Joining of workpieces						•			•	•	•	•		•	•
Repair and maintenance work				•				•	•	•	•	•		•	•
Car body work				•	•		•		•	•	•	•	•		•
Sheet metal working				•	•	•			•	•	•	•	•		•
Dent removal	•	•		•	•	•						•	•		•
Housing assembly					•	•			•	•	•		•	•	•
Mould construction						•	•								•
Assembly of sharp-edged workpieces					•	•			•	•	•				•

### Wood-working applications

	TPE-soft	Com-posite rubber	TPE-mid	Plastic	Super plastic	Nylon	Alu	Copper	98301 wood	98301 steel	98301 fibre	98310	98321	98401	98330
Furniture assembly	•		•										•		•
Window and door construction	•		•										•		•
Prefabricated house construction		•													
Joiner's work	•		•										•		•
Carpenter's work		•													
Floor parqueting / laminating													•		

### Agriculture and forestry applications

	TPE-soft	Com-posite rubber	TPE-mid	Plastic	Super plastic	Nylon	Alu	Copper	98301 wood	98301 steel	98301 fibre	98310	98321	98401	98330
Fence construction		•				•			•						
Wood splitting with wedge					•				•						
Maintenance and repair work on agricultural machinery						•			•						•