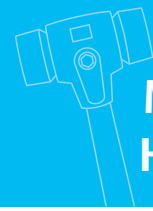
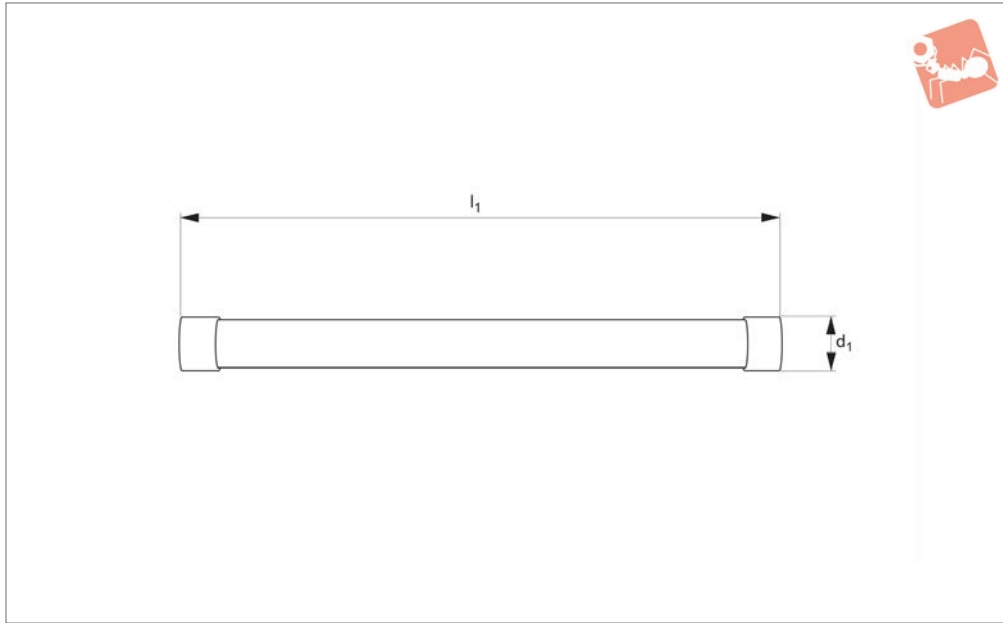




# Rebound Punches - Complete with nylon inserts



## Mallets & Hammers



**98401**

MALLETS & HAMMERS

### Material

Steel body with nylon inserts.

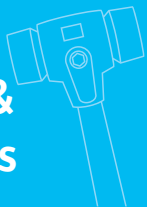
### Tips

For replacement inserts see;  
- inserts no. 98402

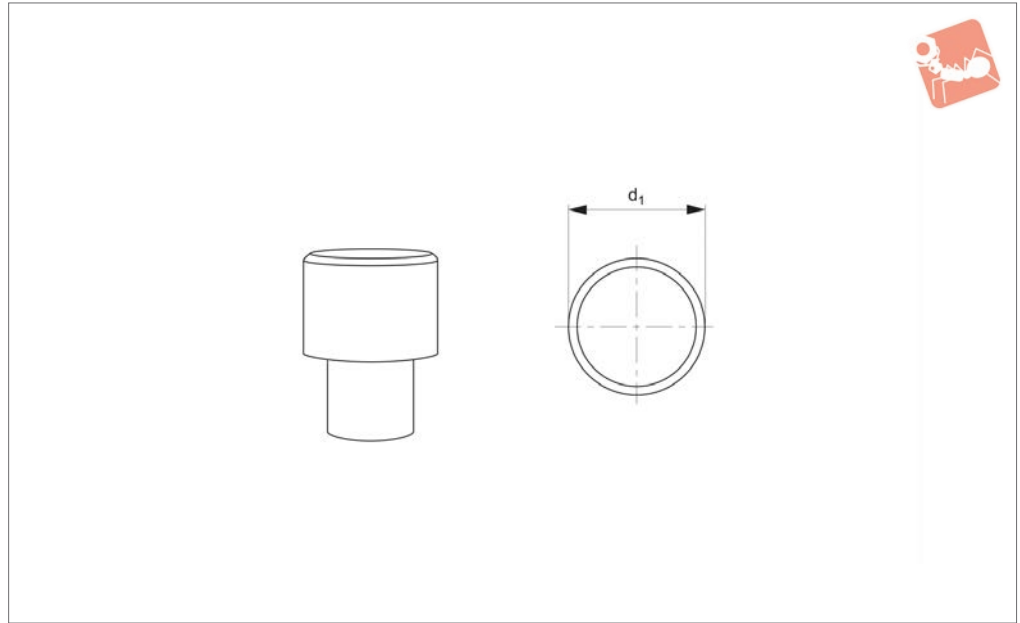
### Technical Notes

Inserts are replaceable see part no. 98402.

Order No.	Insert type	Ø d <sub>1</sub>	l <sub>1</sub>	Weight g
98401.W0010	Nylon - White	10	168	90
98401.W0012	Nylon - White	12	170	130
98401.W0015	Nylon - White	15	175	200



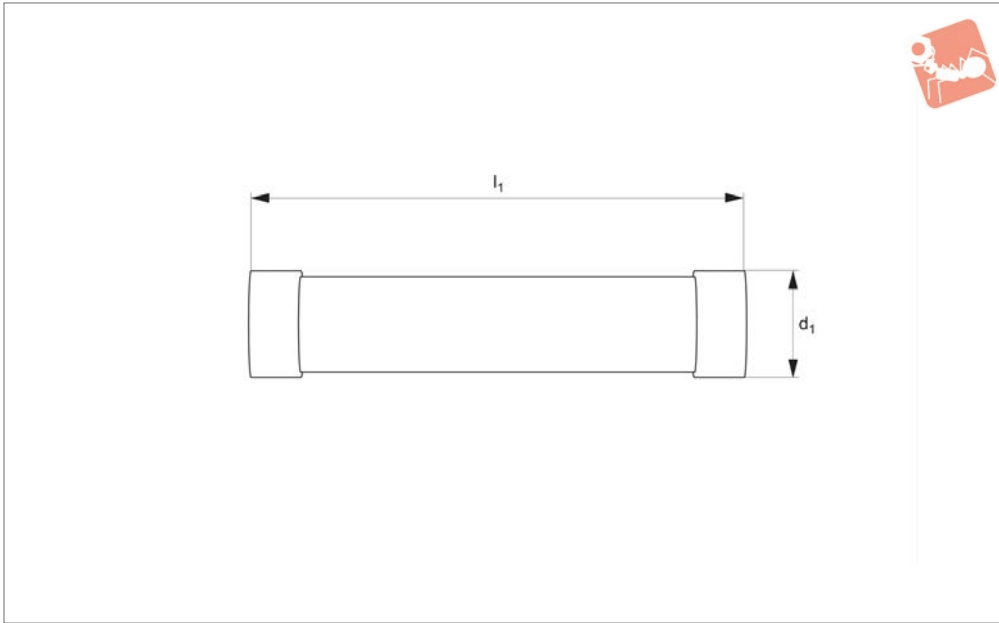
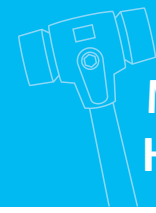
**98402**



**Material**

Nylon, white.

Order No.	Type	For mallet head dia. $d_1$
98402.W0110	Nylon - White	10
98402.W0112	Nylon - White	12
98402.W0115	Nylon - White	15



**98421**

MALLETS & HAMMERS

### Material

Housing: steel.  
Insert: nylon, white.

rebound action and assists in full transmission of impact force.  
Inserts are replaceable. See part no. 98422.

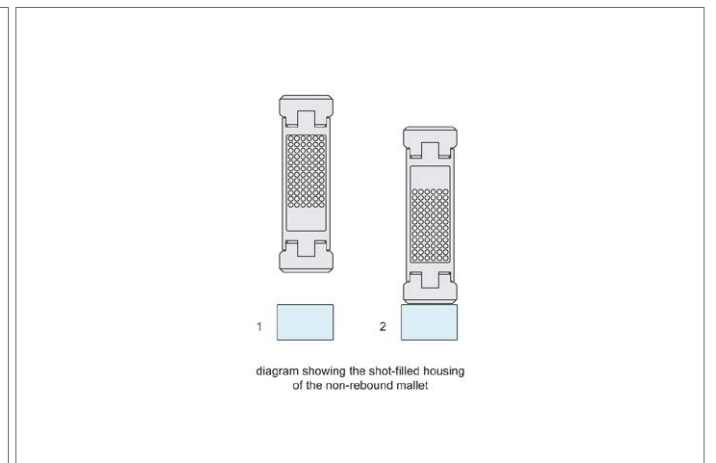
### Tips

For replacement inserts see;  
- inserts no. 98422

### Technical Notes

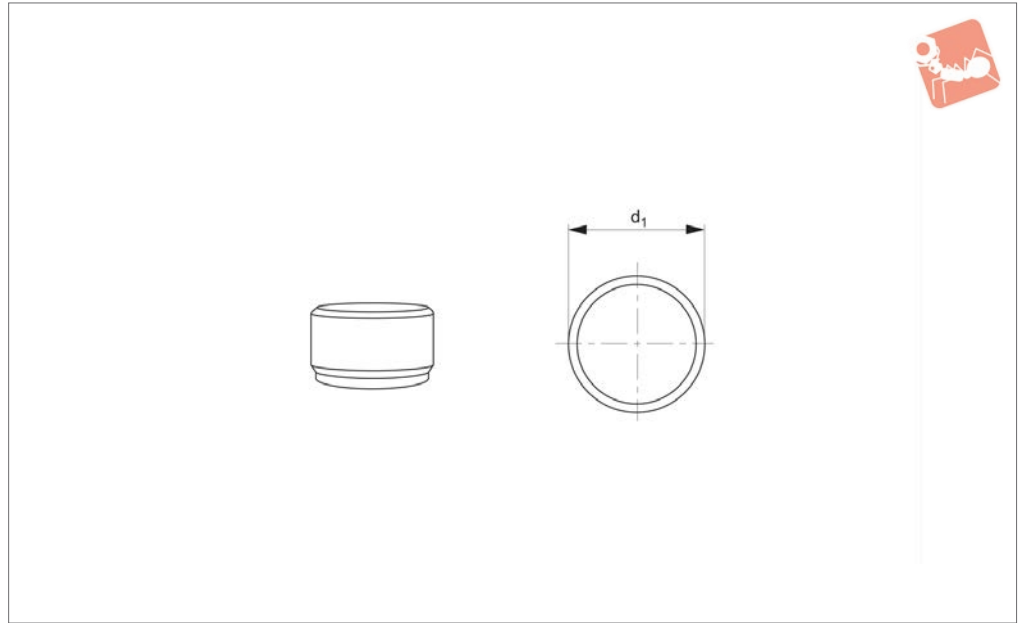
Shot filled housing results in a non-

Order No.	Insert type	$\varnothing d_1$	$l_1$	Weight g
98421.W0020	Nylon - White	20	150	215
98421.W0025	Nylon - White	25	150	340
98421.W0030	Nylon - White	30	155	470
98421.W0035	Nylon - White	35	155	630
98421.W0040	Nylon - White	40	160	785
98421.W0045	Nylon - White	45	160	965
98421.W0050	Nylon - White	50	165	1250





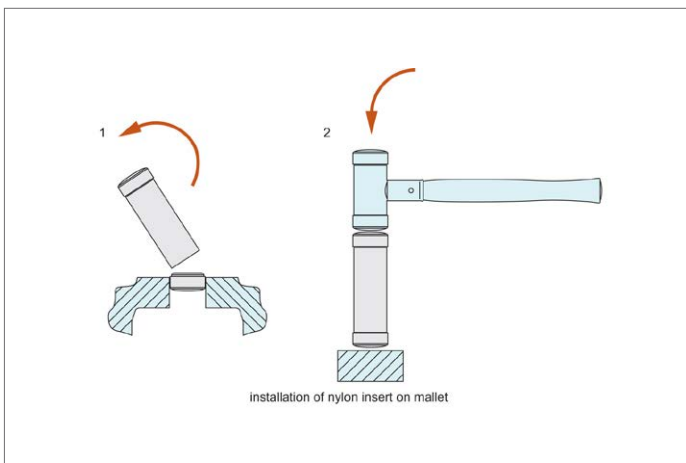
**98422**



**Material**

Insert: nylon, white.

Order No.	Type	For mallet head $d_1$
98422.W0120	Nylon - White	20
98422.W0125	Nylon - White	25
98422.W0130	Nylon - White	30
98422.W0135	Nylon - White	35
98422.W0140	Nylon - White	40
98422.W0145	Nylon - White	45
98422.W0150	Nylon - White	50





## Application Selection Chart

Application selection chart

TPE-soft	Com-posite rubber	TPE-mid	Plastic	Super plastic	Nylon	Alu	Copper	98301 wood	98301 steel	98301 fibre	98310	98321	98401	98330
Soft	Med	Med	Hard	Med	Hard	Hard	Hard							
Range of inserts for Simplex mallets 98001 to 98224								Range of mallet handle types						

### Construction applications

Paving		•	•		•									
Floor tiling	•		•											
Curbstone setting / Masonry work		•			•									
Concrete form set-up		•		•										
Scaffold construction		•		•	•	•								
Tent and hall construction					•	•		•						
Gardening and landscaping		•			•									
Home construction		•	•											

### Metal-working industry applications

Automotive assembly and repair work				•	•	•	•	•	•	•	•	•	•	•
Positioning of workpieces in a vice								•	•	•	•	•		
Straightening work						•		•	•	•	•			
Joining of workpieces						•		•	•	•	•		•	•
Repair and maintenance work				•			•	•	•	•	•		•	•
Car body work				•	•		•	•	•	•	•	•		•
Sheet metal working				•	•	•		•	•	•	•	•		•
Dent removal	•	•		•	•	•					•	•		•
Housing assembly					•	•		•	•	•		•	•	•
Mould construction						•	•							•
Assembly of sharp-edged workpieces					•	•		•	•	•				•

### Wood-working applications

Furniture assembly	•		•										•	
Window and door construction	•		•										•	•
Prefabricated house construction		•												
Joiner's work	•		•										•	•
Carpenter's work		•												
Floor parqueting / laminating													•	

### Agriculture and forestry applications

Fence construction		•			•			•						
Wood splitting with wedge					•			•						
Maintenance and repair work on agricultural machinery						•		•						•