

17100

SUPPORTS & STOPS

Material

Steel, case-hardened and precision ground in pairs.

Technical Notes

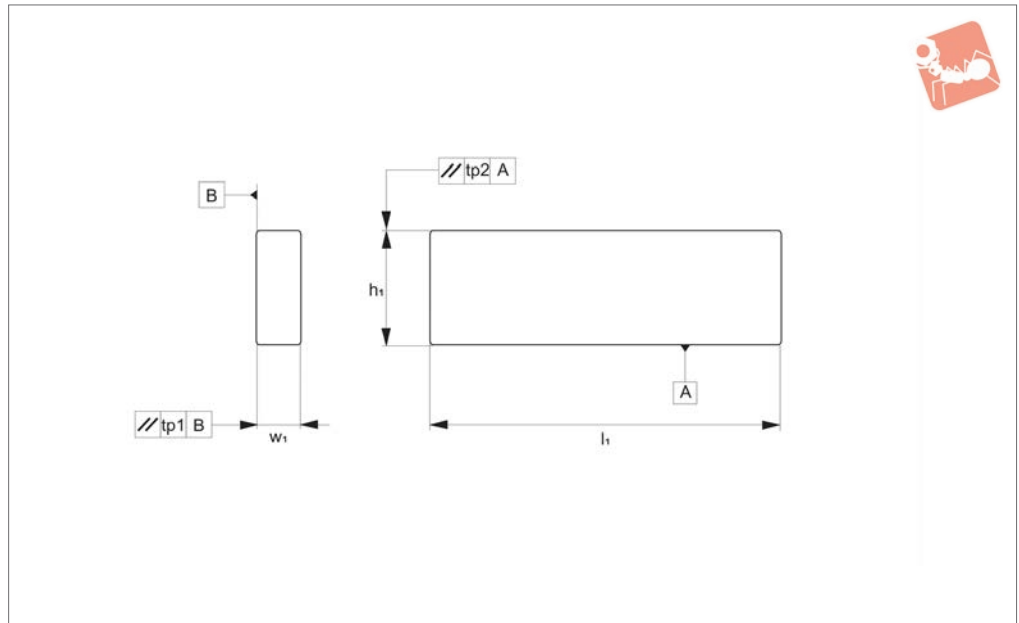
DIN6364 P. Tolerances:
 h_1 (height) pair tolerance $tp2 =$ to IT5.

w_1 (width) pair tolerance $tp1 =$ to IT5.
 Other dimensions to ISO 2768m.

Order No.	h_1	l_1	Pair tolerance $tp1$	w_1	Pair tolerance $tp2$	h_1	Standard tolerance h_1	Standard tolerance w_1	w_1	Weight/pair g
17100.W0008	8	63	0.004		0.006		$\pm 0,2$	$\pm 0,1$	2.5	20
17100.W0010	10	63	0.005		0.006		$\pm 0,2$	$\pm 0,1$	3.2	30
17100.W0012	12	63	0.005		0.008		$\pm 0,2$	$\pm 0,1$	4.0	45
17100.W0013	12	100	0.005		0.008		$\pm 0,2$	$\pm 0,1$	4.0	75
17100.W0016	16	63	0.005		0.008		$\pm 0,2$	$\pm 0,1$	5.0	80
17100.W0017	16	100	0.005		0.008		$\pm 0,2$	$\pm 0,1$	5.0	125
17100.W0020	20	63	0.006		0.009		$\pm 0,2$	$\pm 0,2$	6.3	125
17100.W0021	20	100	0.006		0.009		$\pm 0,2$	$\pm 0,2$	6.3	200
17100.W0025	25	100	0.006		0.009		$\pm 0,2$	$\pm 0,2$	8.0	315
17100.W0026	25	160	0.006		0.009		$\pm 0,2$	$\pm 0,2$	8.0	500
17100.W0032	32	100	0.006		0.011		$\pm 0,3$	$\pm 0,2$	10.0	500
17100.W0033	32	160	0.006		0.011		$\pm 0,3$	$\pm 0,2$	10.0	800
17100.W0040	40	100	0.008		0.011		$\pm 0,3$	$\pm 0,2$	12.0	750
17100.W0041	40	160	0.008		0.011		$\pm 0,3$	$\pm 0,2$	12.0	1200
17100.W0050	50	160	0.008		0.011		$\pm 0,3$	$\pm 0,2$	16.0	2000
17100.W0063	63	160	0.009		0.013		$\pm 0,3$	$\pm 0,2$	20.0	3170
17100.W0064	63	250	0.009		0.013		$\pm 0,3$	$\pm 0,2$	20.0	4950
17100.W0080	80	250	0.009		0.013		$\pm 0,3$	$\pm 0,2$	25.0	7900
17100.W0100	100	250	0.011		0.015		$\pm 0,3$	$\pm 0,3$	32.0	12680
17100.W0101	100	400	0.011		0.015		$\pm 0,3$	$\pm 0,3$	40.0	25300



17120



Material

Steel, case hardened and precision ground.
In wooden box with removable lid.

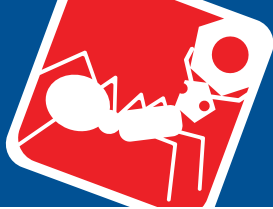
Tolerances:

h_1 (height) pair tolerance $tp2 =$ to IT5.
 w_1 (width) pair tolerance $tp1 =$ to IT5.
Other dimensions to ISO 2768m.

Technical Notes

Produced to DIN 6346S.

Order No.	Support height in 1 mm increments	1 pair $L = 250\text{mm}$ $h_1 \times w_1$	1 pair $l_2 = 100\text{mm}$ $h_1 \times w_1$	1 pair $l_2 = 160\text{mm}$ $h_1 \times w_1$	1 pair $l_2 = 63\text{mm}$ $h_1 \times w_1$	Wooden box $l_1 \times$ $h_1 \times w_1$	Weight g
17120.W0025	2,5-25		12x4,0 16x5,0 20x6,3 25x8,0		8x2,5 10x3,2 12x4,0 16x5,0 20x6,3	200x100x36	1300
17120.W0040	4,0-40		12x4,0 16x5,0 20x6,3 25x8,0	25x8,0 32x10,0 40x12,0		305x115x50	3800
17120.W0063	8,0-63		25x8,0 32x10,0 40x12,0	50x16,0 63x20,0		305x115x70	7400
17120.W0100	20,0-100	63x20 80x25 100x32				280x215x125	27100
17120.W0532	4,0-32		12x4,0 16x5,0 20x6,3 25x8,0 32x10,0			132x145x50	1500
17120.W0550	8,0-50			25x8,0 32x10,0 40x12,0 50x16,0		192x158x75	4900

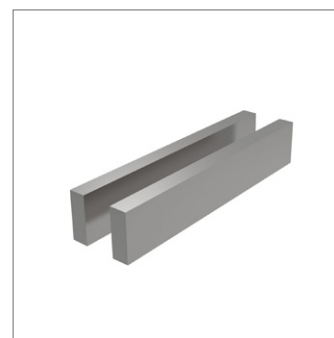
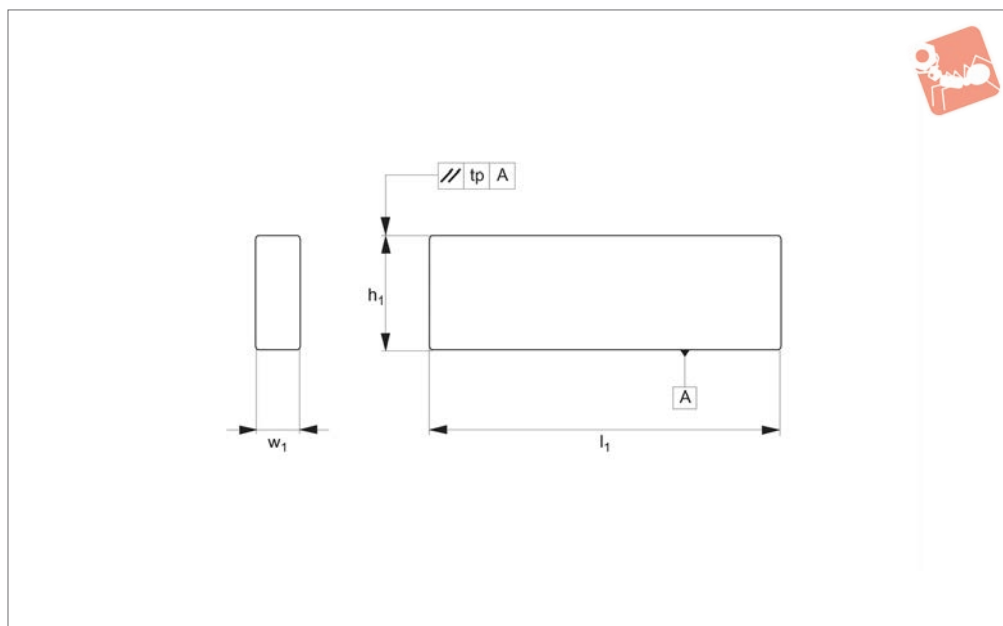


Parallel Supports - Pairs

high, standard and precision



Supports & Stops



17200

SUPPORTS & STOPS

Material

Steel, case-hardened and ground in pairs.

Technical Notes

Tolerances - high precision level:
 h_1 (height) pair tolerance $tp = 0,004\text{mm}$.
 h_1 (height) standard (single) $tp = \pm 0,004\text{mm}$.

Other dimensions to DIN ISO 2768m.

Tolerances - standard level:
 h_1 (height) pair tolerance $tp = \pm 0,01\text{mm}$.
 h_1 (height) standard (single) $tp = \text{ISO } 2768\text{m}$.

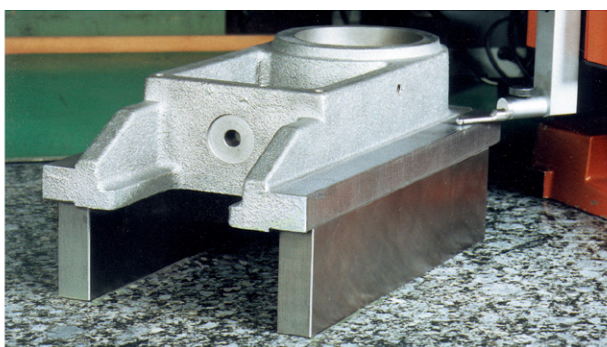
Tolerances - precision level:

h_1 (height) pair tolerance $tp = \pm 0,01\text{mm}$.
 h_1 (height) standard (single) $tp = \pm 0,01\text{mm}$.
 Other dimensions to DIN ISO 2768m.

Order No.	h_1 - Pair tolerance tp	h_1 - Standard tolerance tp	$h_1 \times w_1 \times l_1$	Precision level	Weight/pair g
17200.W0014	0.004	$\pm 0,004$	14x10x150	Super High	330
17200.W0016	0.004	$\pm 0,004$	16x10x150	Super High	380
17200.W0018	0.004	$\pm 0,004$	18x10x150	Super High	420
17200.W0020	0.004	$\pm 0,004$	20x10x150	Super High	470
17200.W0022	0.004	$\pm 0,004$	22x10x150	Super High	520
17200.W0024	0.004	$\pm 0,004$	24x10x150	Super High	570
17200.W0026	0.004	$\pm 0,004$	26x10x150	Super High	610
17200.W0028	0.004	$\pm 0,004$	28x10x150	Super High	660
17200.W0030	0.004	$\pm 0,004$	30x10x150	Super High	710
17200.W0032	0.004	$\pm 0,004$	32x10x150	Super High	750
17200.W0035	0.004	$\pm 0,004$	35x10x150	Super High	830
17200.W0040	0.004	$\pm 0,004$	40x10x150	Super High	940
17200.W0045	0.004	$\pm 0,004$	45x10x150	Super High	1060
17200.W0050	0.004	$\pm 0,004$	50x10x150	Super High	1180
17200.W0114	0.01	$\pm 0,01$	14x10x150	Precision	330
17200.W0116	0.01	$\pm 0,01$	16x10x150	Precision	380
17200.W0118	0.01	$\pm 0,01$	18x10x150	Precision	420
17200.W0120	0.01	$\pm 0,01$	20x10x150	Precision	470
17200.W0122	0.01	$\pm 0,01$	22x10x150	Precision	520
17200.W0124	0.01	$\pm 0,01$	24x10x150	Precision	570
17200.W0126	0.01	$\pm 0,01$	26x10x150	Precision	610
17200.W0128	0.01	$\pm 0,01$	28x10x150	Precision	660
17200.W0130	0.01	$\pm 0,01$	30x10x150	Precision	710
17200.W0132	0.01	$\pm 0,01$	32x10x150	Precision	750
17200.W0135	0.01	$\pm 0,01$	35x10x150	Precision	830
17200.W0140	0.01	$\pm 0,01$	40x10x150	Precision	940
17200.W0145	0.01	$\pm 0,01$	45x10x150	Precision	1060
17200.W0150	0.01	$\pm 0,01$	50x10x150	Precision	1180
17200.W0214	0.01	2768-m	14x10x150	Standard	330
17200.W0216	0.01	2768-m	16x10x150	Standard	380



Order No.	h_1 - Pair tolerance t_p	h_1 - Standard tolerance t_p	$h_1 \times w_1 \times l_1$	Precision level	Weight/pair g
17200.W0218	0.01	2768-m	18x10x150	Standard	420
17200.W0220	0.01	2768-m	20x10x150	Standard	470
17200.W0222	0.01	2768-m	22x10x150	Standard	520
17200.W0224	0.01	2768-m	24x10x150	Standard	570
17200.W0226	0.01	2768-m	26x10x150	Standard	610
17200.W0228	0.01	2768-m	28x10x150	Standard	660
17200.W0230	0.01	2768-m	30x10x150	Standard	710
17200.W0232	0.01	2768-m	32x10x150	Standard	750
17200.W0235	0.01	2768-m	35x10x150	Standard	830
17200.W0240	0.01	2768-m	40x10x150	Standard	940
17200.W0245	0.01	2768-m	45x10x150	Standard	1060
17200.W0250	0.01	2768-m	50x10x150	Standard	1180



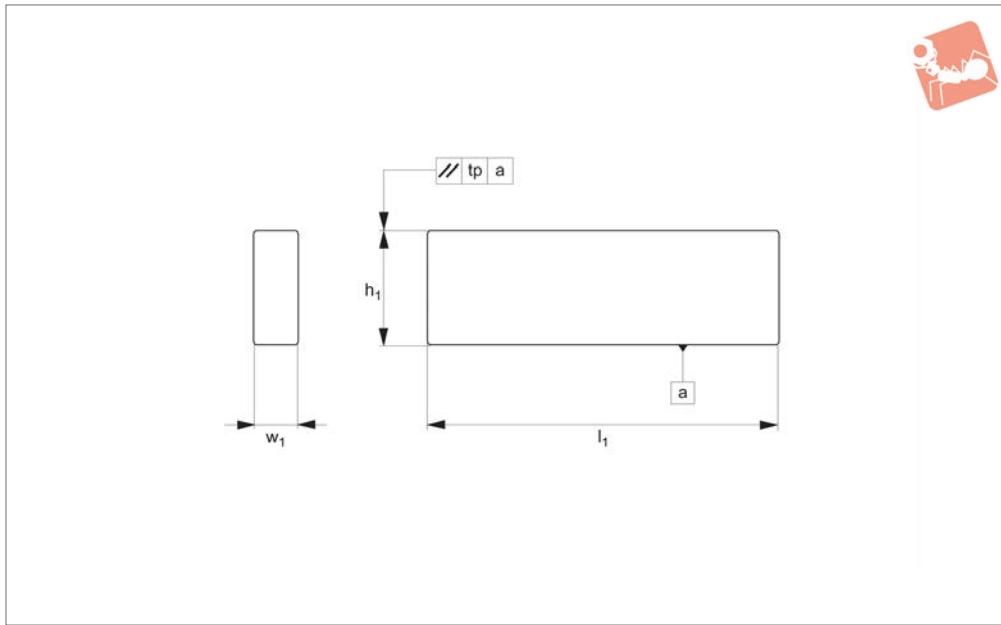


Parallel Support Pairs - Set

high precision - in wooden stand



Supports & Stops



17211

SUPPORTS & STOPS

Material

Steel, case-hardened and finely ground in pairs.

Technical Notes

Machined in parallel and square. Set incre-

ments are 1mm.

Super high precision version. For standard precision model, (see part no 17200 for full tolerances).

Tolerances:

h_1 (height) pair tolerance $tp =$ to IT5.

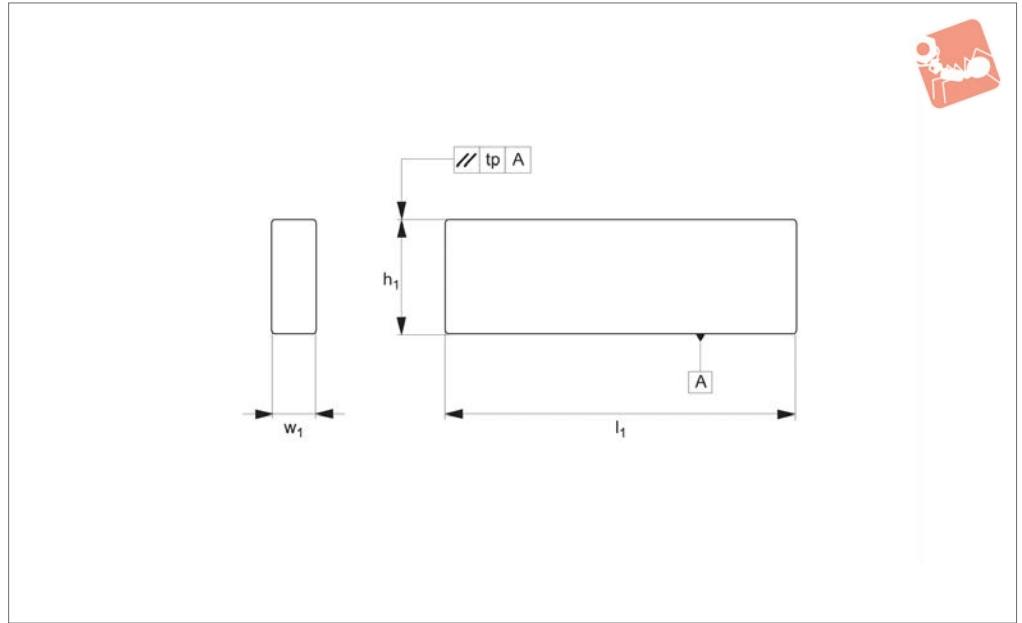
h_1 (height) and w_1 (width) standard (single) tolerance $\pm 0,01$ mm.

All other dimensions to DIN ISO 2768m.

Order No.	Contents (1 pair each) $w_1 \times h_1 \times l_1$	Support height in 1 mm increments	Tolerance h_1 and w_1 mm	Weight g
17211.W0001	2x5x100 2x10x100	2-24	$\pm 0,01$	2200
	2x15x100 2x20x100			
	3x6x100 3x11x100			
	3x16x100 3x21x100			
	4x7x100 4x12x100			
17211.W0002	8x11x125 8x16x125	8-42	$\pm 0,01$	14000
	8x21x125 8x26x125			
	8x31x125 8x36x125			
	10x13x125 10x18x125			
	10x23x125 10x28x125			
17211.W0003	8x11x150 8x16x150	8-42	$\pm 0,01$	17000
	8x21x150 8x26x150			
	8x31x150 8x36x150			
	10x13x150 10x18x150			
	10x23x150 10x28x150			



17212



Material

Steel, case hardened and finely ground in pairs.

Technical Notes

Machined in parallel and square. Set incre-

ments are 1mm.

Standard precision version (see part no. 17200 for full tolerances). For high precision model, see parts 17211.

Tolerances:

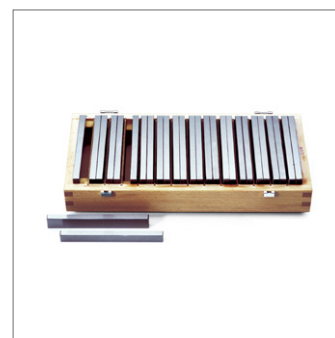
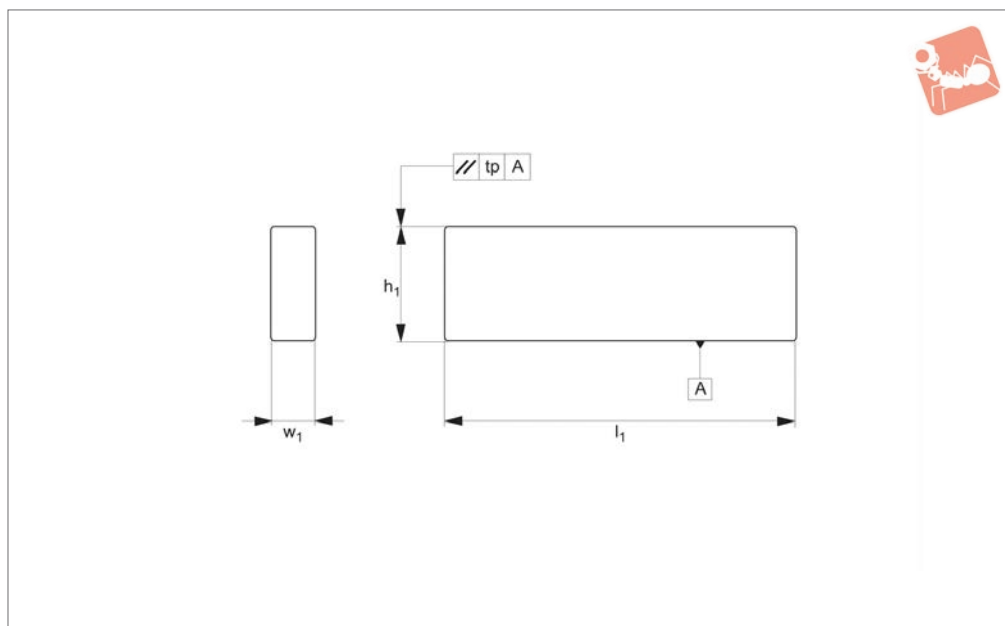
h_1 (height) pair tolerance $tp =$ to ITS.
 h_1 (height) and w_1 (width) standard (single) tolerance to DIN ISO 2768m.
All other dimensions to DIN ISO 2768m.

Order No.	Contents (1 pair each) $w_1 \times h_1 \times l_1$	Support height in 1 mm increments	Weight g
17212.W0201	2x5x100 2x10x100	2-24	2200
	2x15x100 2x20x100		
	3x6x100 3x11x100		
	3x16x100 3x21x100		
	4x7x100 4x12x100		
17212.W0202	8x11x125 8x16x125	8-42	14000
	8x21x125 8x26x125		
	8x31x125 8x36x125		
	10x13x125 10x18x125		
	10x23x125 10x28x125		
17212.W0203	8x11x150 8x16x150	8-42	17000
	8x21x150 8x26x150		
	8x31x150 8x36x150		
	10x13x150 10x18x150		
	10x23x150 10x28x150		



Parallel Support Pairs - Set in wooden case

Supports & Stops



17220

SUPPORTS & STOPS

Material

Steel, ground and case-hardened.
In wooden box with removable lid.

Technical Notes

Dimensions w_1 and l_1 to ISO 2768 medium.
Tolerances - 17220.W0001 (super high precision).
 h_1 (height) pair tolerance $tp = 0,004\text{mm}$.
 h_1 (height) standard tolerance $tp = \pm 0,004\text{mm}$.

Other dimensions to DIN ISO 2768m.

Tolerances - 17220.W0000 (standard precision).
 h_1 (height) pair tolerance $tp = 0,010\text{mm}$.
 h_1 (height) standard tolerance $tp = \pm 0,004\text{mm}$.

Tips

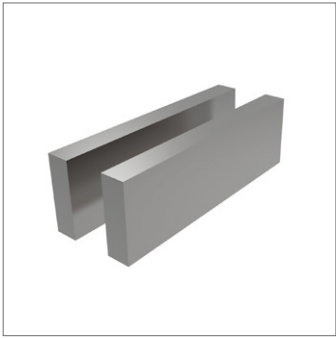
Indispensable for parallel support of components in vices and plates. Their high

degree of accuracy allows the combination of sizes.

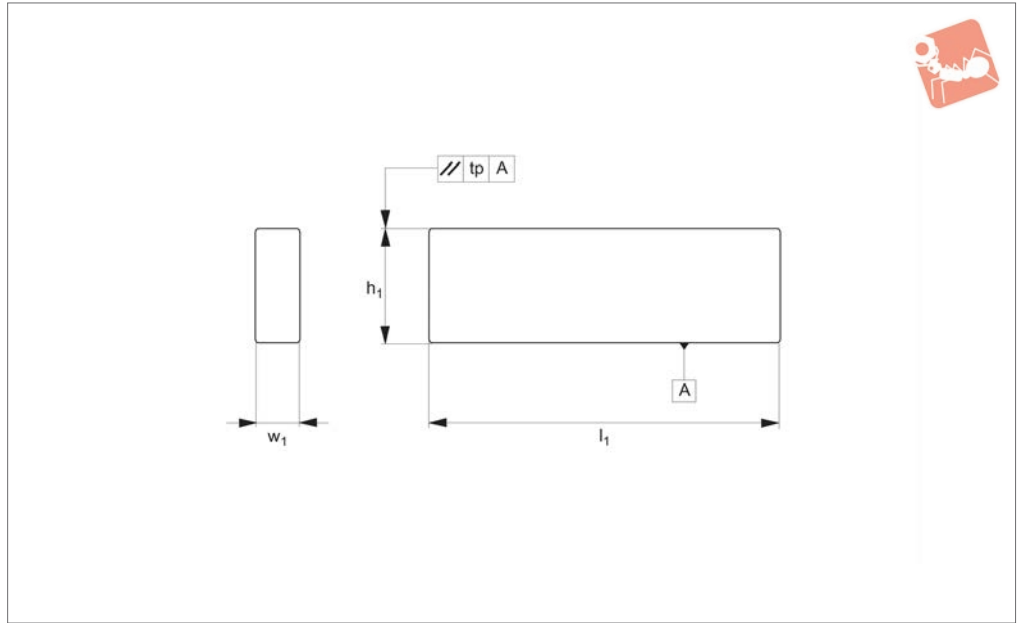
Part no. 17220.W0000 is exactly the same as 17220.W0001, but is a lower cost, and lower toleranced set.

Matched sets can be supplied on request for an extra charge.

Order No.	Contents (pairs) $h_1 \times w_1 \times l_1$	h_1 Standard tolerance	h_1 - Pair tolerance tp	Weight g
17220.W0001	14x10x150	±0,004	±0,004	10900
	16x10x150			
	18x10x150			
	20x10x150			
	22x10x150			
17220.W0000	as per 17220.W0001 but with lower tolerances	±0,2 (to 30mm) ±0,3 (>30mm)	±0,010	10600



17320



Material

Steel, case-hardened and finely ground in pairs.

Technical Notes

The thickness of these parallels matches the slot width on machine tables (tolerance H8).

range H8).

Tolerances:

h_1 (height) pair tolerance $tp = IT5$.

h_1 (height) standard (single) tolerance to DIN ISO 2768m.

w_1 (width) standard (single) tolerance = h7

Other dimensions to DIN ISO 2768m.

Tips

Ideally used for stops on small and medium machines. They allow rapid alignment of the workpiece to the table.

Order No.	h_1	l_1	Pair tolerance h_1 tp	Standard tolerance DIN 7168m h_1	w_1	w_1 tol. h7	Weight/pair g
17320.W0008	25	100	0.009	$\pm 0,2$	8	-0.015	315
17320.W0010	32	100	0.011	$\pm 0,3$	10	-0.015	500
17320.W0012	40	100	0.011	$\pm 0,3$	12	-0.018	750
17320.W0014	50	100	0.011	$\pm 0,3$	14	-0.018	1100
17320.W0016	50	160	0.011	$\pm 0,3$	16	-0.018	2000
17320.W0018	63	160	0.013	$\pm 0,3$	18	-0.018	2850
17320.W0020	63	160	0.013	$\pm 0,3$	20	-0.021	3170
17320.W0022	80	160	0.013	$\pm 0,3$	22	-0.021	4400
17320.W0024	80	160	0.013	$\pm 0,3$	24	-0.021	4800
17320.W0028	100	160	0.015	$\pm 0,3$	28	-0.021	7000

