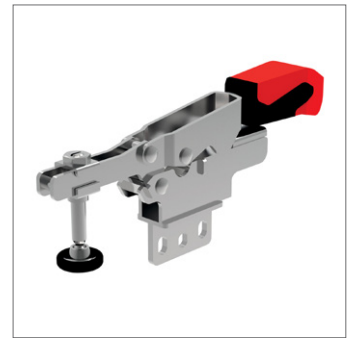
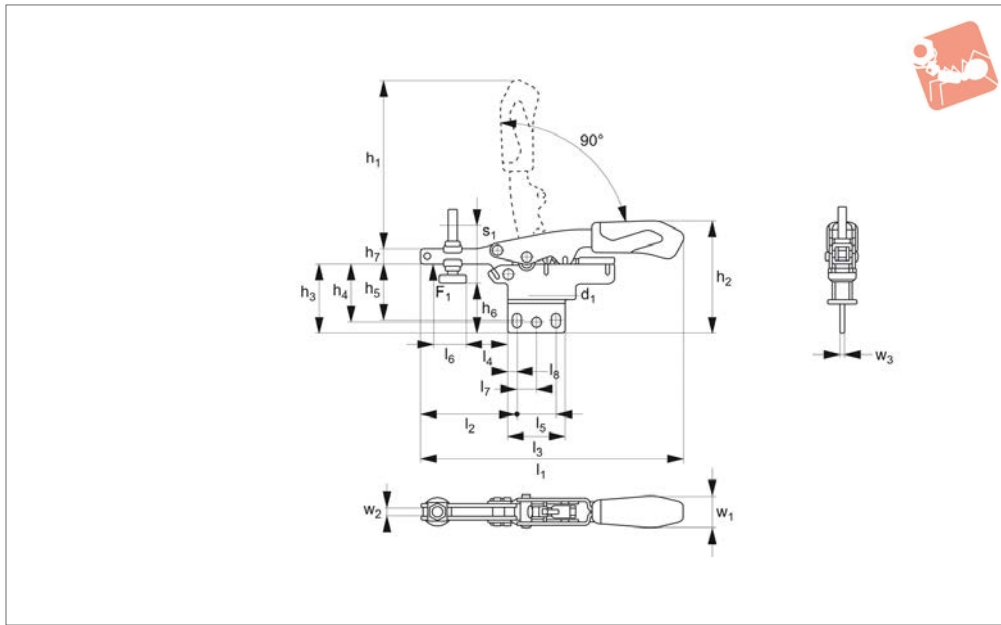




Auto-Adjust Toggle Clamp

open clamping arm - vertical base

Auto-Adjust Toggle Clamps



42609

AUTO-ADJUST TOGGLE CLAMPS

Material

Body: steel, zinc plated.
Ergonomic, soft feel and oil-resistant handle with large grip area.

Supplied complete with zinc plated clamping screw (with rubber pad).

Technical Notes

Automatically adjusts to suit work-piece height.
Temperature range -10°C to +80°C.

Order No.	Size	F ₁ kN	Automatic height compensation s ₁	Height compensation max.	Clamping screw	h ₁	h ₂	h ₃	h ₄	h ₅	h ₆ min.	Weight g
42609.W0020	20	2	20	35	M 6x49	113	73.0	47	39.8	37-40	13.5	272
42609.W0050	50	3	35	40	M 8x50	158	94.5	59	49.0	45-49	27.5	544

Order No.	h ₆ max.	h ₇	l ₁	l ₂	l ₃	l ₄	l ₅	l ₆	l ₇	l ₈	w ₁	w ₂	w ₃	d ₁	d ₂
42609.W0020	31	10	173	64.0	38	25.9	26	22	13	6.0	21	6.0	3	5.6	5.6
42609.W0050	38	13	243	106.5	55	38.0	50	35	19	8.5	27	8.2	4	6.5	5.6

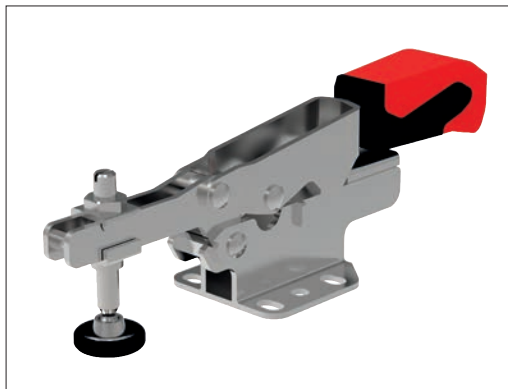


Benefits

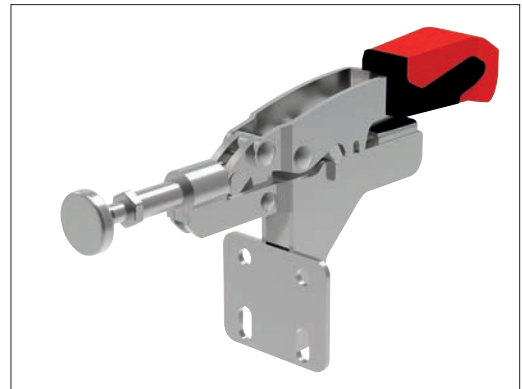
- Automatically adapts to workpiece height / width.
- Ideal for small batch sizes.
- Adjustable clamping forces.



Example Toggle Clamps



42605 - Horizontal base - vertical acting



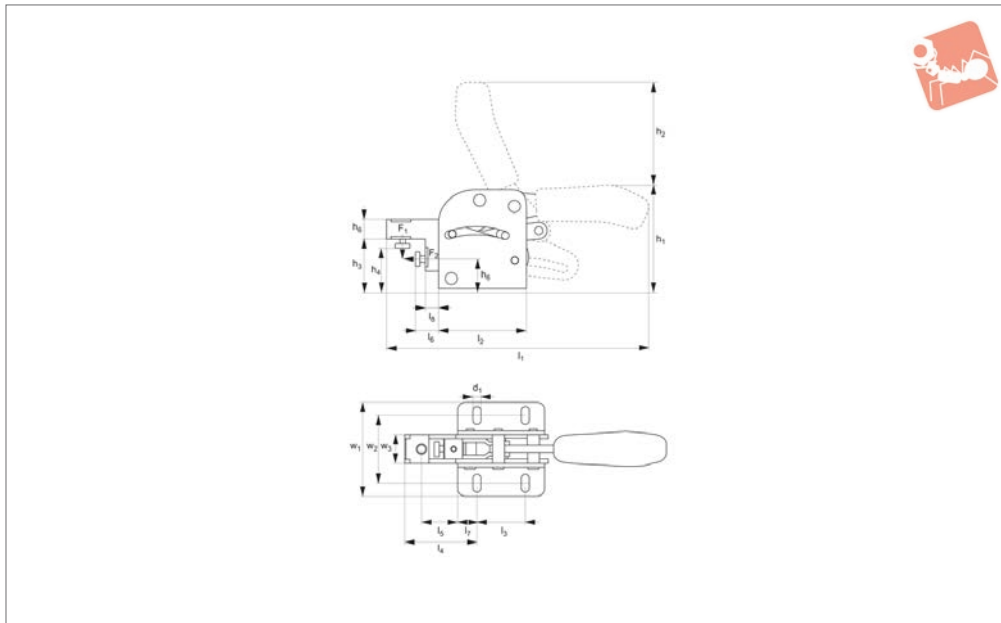
42611 - Push pull type - horizontal acting



Combination Toggle Clamp

position and clamp

Auto-Adjust Toggle Clamps



42500

AUTO-ADJUST TOGGLE CLAMPS

Material

Body: steel, zinc plated.
 Rivets: stainless steel running in hardened bushes. Pre-lubricated bearings (grease suitable for food industry use).

Ergonomic, soft feel and oil-resistant handle with large grip area.

Technical Notes

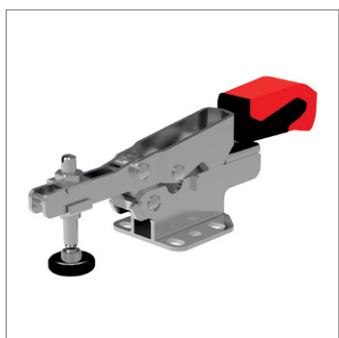
Especially useful in welding applications.

The positioning rod and toggle clamp achieve precise positioning and clamping of components in one operation.
 Temperature range -10°C to +80°C.

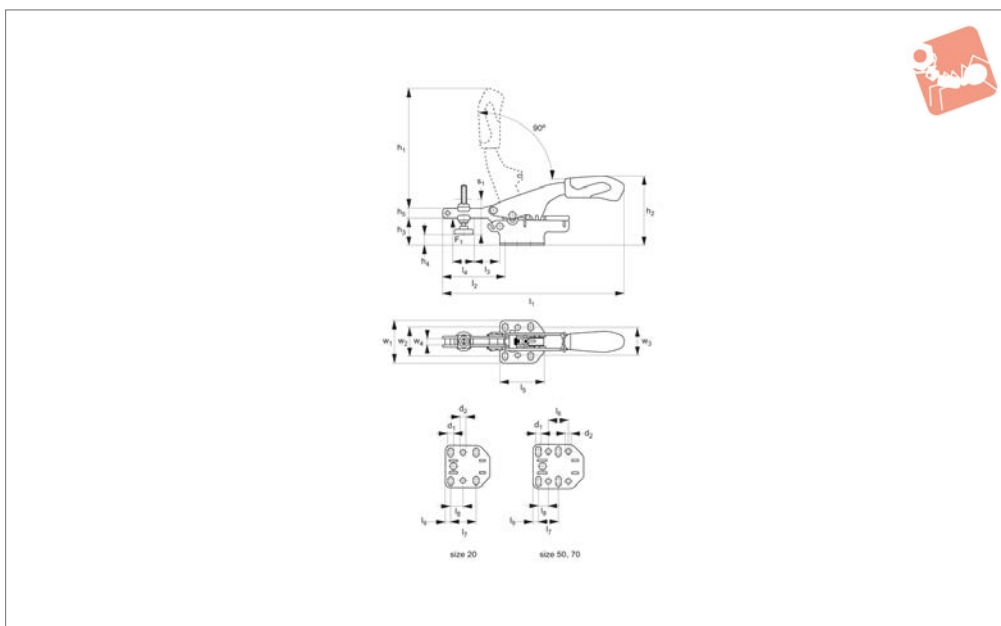
Order No.	Size	F ₁ kN	F ₂ kN	d ₁	h ₁	h ₂	h ₃	h ₄ min.	h ₄ max.	h ₅	h ₆	l ₁	Weight g
42500.W0001	1	1.0	1.0	5.5	74	62	36.0	25	32	22	12	150	340
42500.W0002	2	2.0	2.0	6.5	94	87	46.0	30	40	28	16	219	700
42500.W0003	3	3.0	3.0	8.5	110	106	55.5	40	50	34	20	270	1620

Order No.	l ₂	l ₃	l ₄	l ₅	l ₆ min.	l ₆ max.	l ₇	l ₈	w ₁	w ₂	w ₃
42500.W0001	55	40	33	15	5	10	7.5	0.5	53	34,5-39,5	17.0
42500.W0002	75	50	56	32	14	24	12.5	9.0	75	48,5-61,5	19.5
42500.W0003	90	50	74	37	20	30	20.0	14.0	96	60,0-80,0	29.0





42605



Material

Body: steel, zinc plated.
Ergonomic soft feel oil-resistant handle with large grip area.

Supplied complete with zinc-plated clamping screw (with rubber pad).

Technical Notes

Automatically adjusts to suit workpiece height.

Order No.	Size	F ₁ kN	Automatic height compensation s ₁	d ₁	d ₂	h ₁	h ₂	h ₃	h ₄ min.	h ₄ max.	h ₅	Weight g
42605.W0020	20	2	20	5.5	5.5	121	70	27	-7.0	11.0	10	345
42605.W0050	50	3	35	6.5	6.5	174	72	23	-8.9	1.5	13	520
42605.W0070	70	3	35	6.5	6.5	174	90	41	-6.6	19.7	13	575

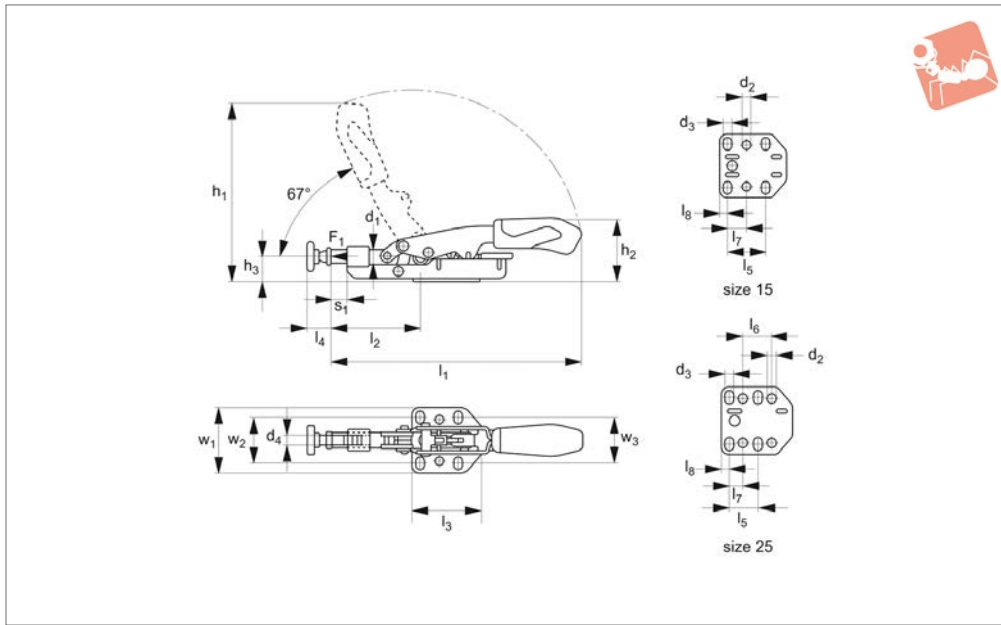
Order No.	l ₁	l ₂	l ₃	l ₄	l ₅	l ₆	l ₇	l ₈	l ₉	w ₁	w ₂	w ₃	w ₄	Clamping screw	Height compensation max.
42605.W0020	184	63	22.0	26.0	45.0	-	26.0	12.7	5.3	42.5	26-32	28	6.1	M 6x49	35
42605.W0050	261	104	35.2	22.2	63.5	25.4	25.4	12.7	6.3	57.0	32-44	38	8.4	M 8x50	40
42605.W0070	261	104	35.0	50.0	63.5	25.4	25.4	12.7	6.3	57.0	32-44	38	8.5	M 8x66	60



Auto-Adjust Push-Pull Toggle Clamp

horizontal base

Auto-Adjust Toggle Clamps



42613

AUTO-ADJUST TOGGLE CLAMPS

Material

Body: steel, zinc plated.
Ergonomic, soft feel and oil-resistant handle with large grip area.

Supplied complete with zinc plated clamping screw (with rubber pad).

Technical Notes

Automatically adjusts to suit work-piece height.
Temperature range -10°C to +80°C.

Order No.	Size	F ₁ kN	Automatic height compensation s ₁		d ₁	d ₂	d ₃	d ₄	h ₁	h ₂	h ₃	Weight g
42613.W0015	15	2	8		8.5	5.5	5.5	M 6	145	58	16.8	230
42613.W0025	25	3	13		11.8	6.5	6.5	M 8	207	71	23.2	550

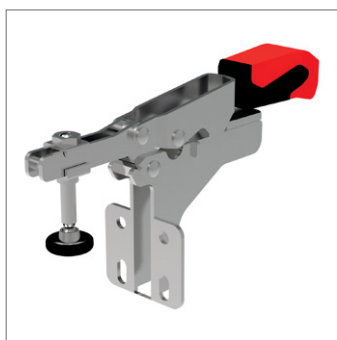
Order No.	l ₁	l ₂	l ₃	l ₄ min.	l ₄ max.	l ₅	l ₆	l ₇	l ₈	w ₁	w ₂	w ₃	Clamping screw	Height compensation max.
42613.W0015	177	52-69	45.0	13	25	26.0	-	12.7	5.3	42.5	26-32	28	M 6x37	25
42613.W0025	256	72-98	63.5	16	35	25.4	25.4	12.7	6.3	57.0	32-44	38	M 8x50	35

Auto-Adjust Toggle Clamps

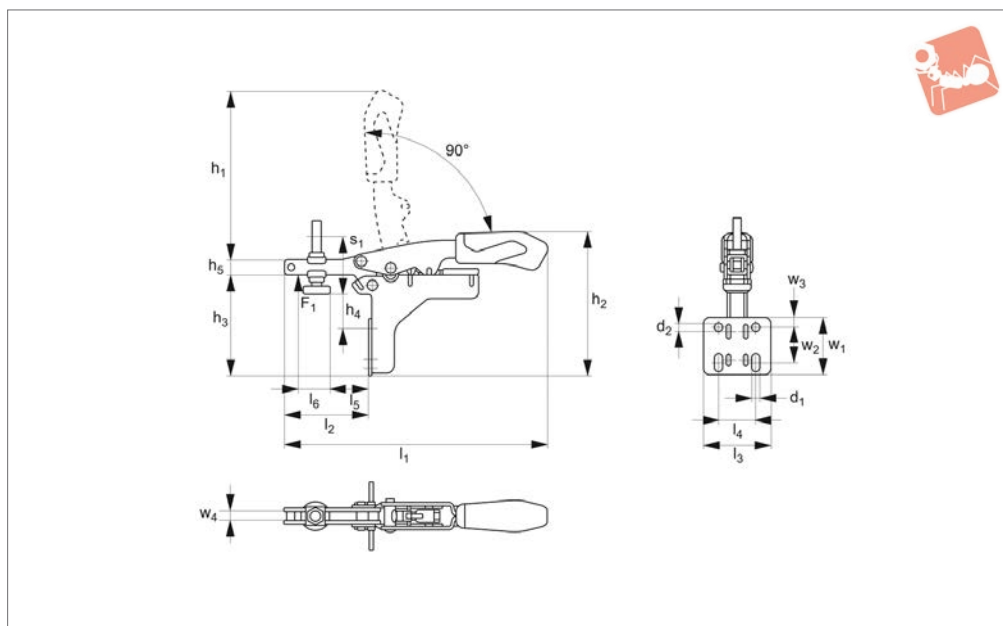
Auto-Adjust Toggle Clamp open clamping arm - angle base



AUTO-ADJUST TOGGLE CLAMPS



42607



Material

Body: steel, zinc plated.
Ergonomic, soft feel and oil-resistant handle with large grip area.

Supplied complete with zinc plated clamping screw (with rubber pad).

Technical Notes

Automatically adjusts to suit work-piece height.
Temperature range -10°C to +80°C.

Order No.	Size	F ₁ kN	Automatic height compensation s ₁	Height compensation max.	Clamping screw	h ₁	h ₂	h ₃	h ₄ min.	Weight g
42607.W0020	20	2	20	35	M 6x49	113	94	68	3	272
42607.W0050	50	3	35	40	M 8x66	158	124	88	1	544

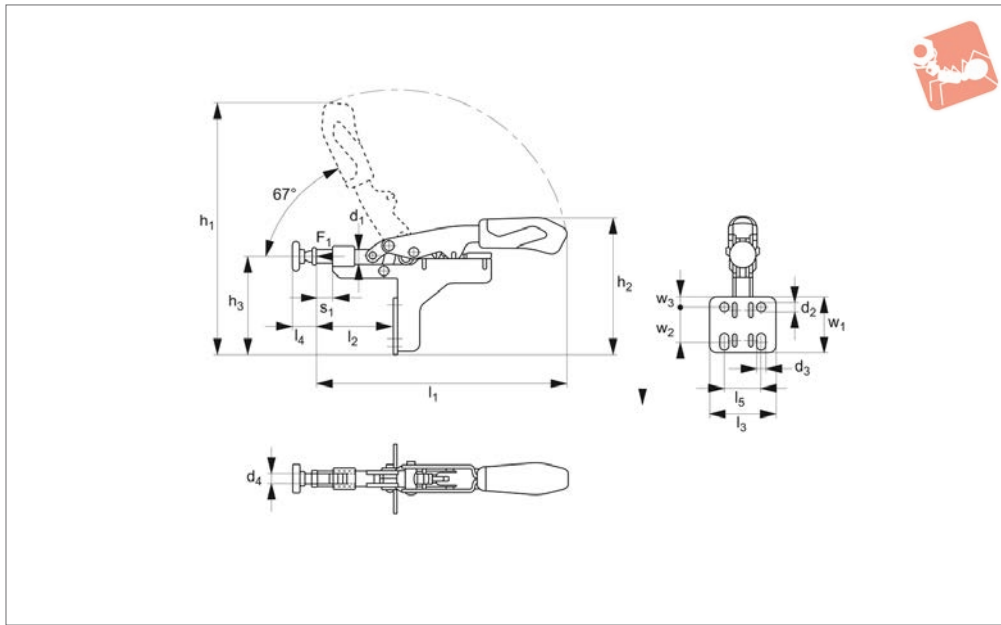
Order No.	h ₄ max.	h ₅	l ₁	l ₂	l ₃	l ₄	l ₅	l ₆	d ₁	d ₂	w ₁	w ₂	w ₃	w ₄
42607.W0020	24	10	173	56	45	25.4	24	22	5.6	5.6	38	20,0-26,0	7.1	6.0
42607.W0050	30	13	244	85	57	38.1	31	40	6.5	6.5	51	20,5-30,0	10.6	8.2



Auto-Adjust Push-Pull Toggle Clamp

angle base

Auto-Adjust Toggle Clamps



42611

AUTO-ADJUST TOGGLE CLAMPS

Material

Body: steel, zinc plated.
Ergonomic, soft feel and oil-resistant handle with large grip area.

Supplied complete with zinc plated clamping screw (with rubber pad).

Technical Notes

Automatically adjusts to suit work-piece height.
Temperature range -10°C to +80°C.

Order No.	Size	F ₁ kN	Automatic height compensation s ₁	Height compensation max.	Clamping screw	h ₁	h ₂	h ₃	l ₁	Weight g
42611.W0015	15	2	8	25	M 6x37	173	91	66	167	272
42611.W0025	25	3	13	35	M 8x50	238	119	84	236	544

Order No.	l ₂	l ₃	l ₄ min.	l ₄ max.	l ₅	d ₁	d ₂	d ₃	d ₄	w ₁	w ₂	w ₃
42611.W0015	42-59	45	14	29	25.4	8.5	5.6	5.6	M 6	38	20,0-26,0	7.1
42611.W0025	58-83	57	19	39	38.1	11.8	6.5	6.5	M 8	51	20,5-30,0	10.6