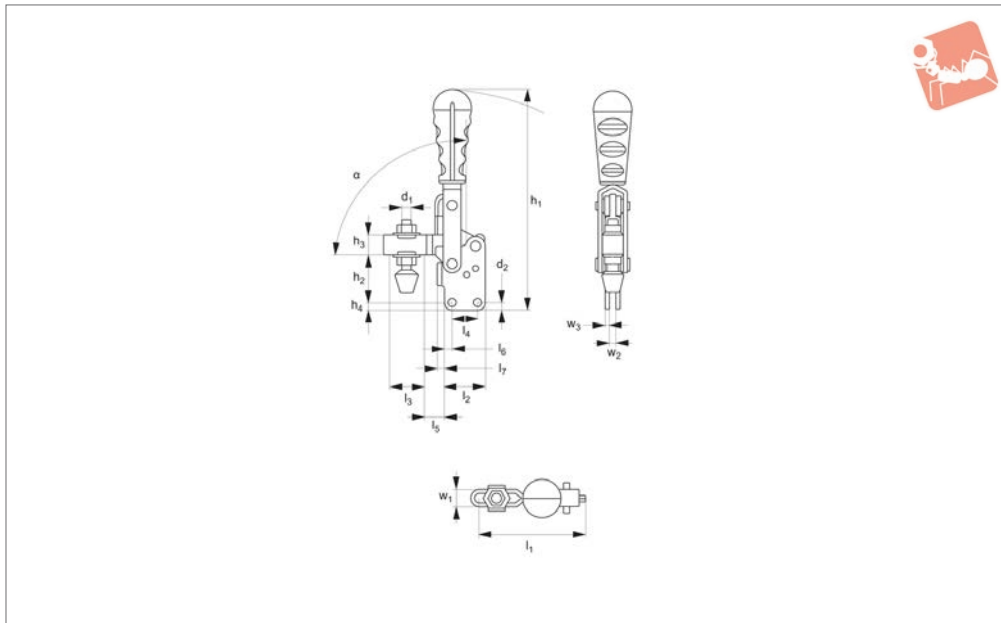




Toggle Clamps - Vertical Acting

economy - vertical base - closed arm

Economy Toggle Clamps



EC602

ECONOMY TOGGLE CLAMPS

Material

Body: steel, zinc plated.
 Rivets: stainless steel.
 Bushes: case hardened and greased.
 Handle: plastic, red, oil resistant.

Supplied complete with clamping screw (with rubber pad).

symbol*) can be changed by pressing in a stop pin on the clamp body.

Technical Notes

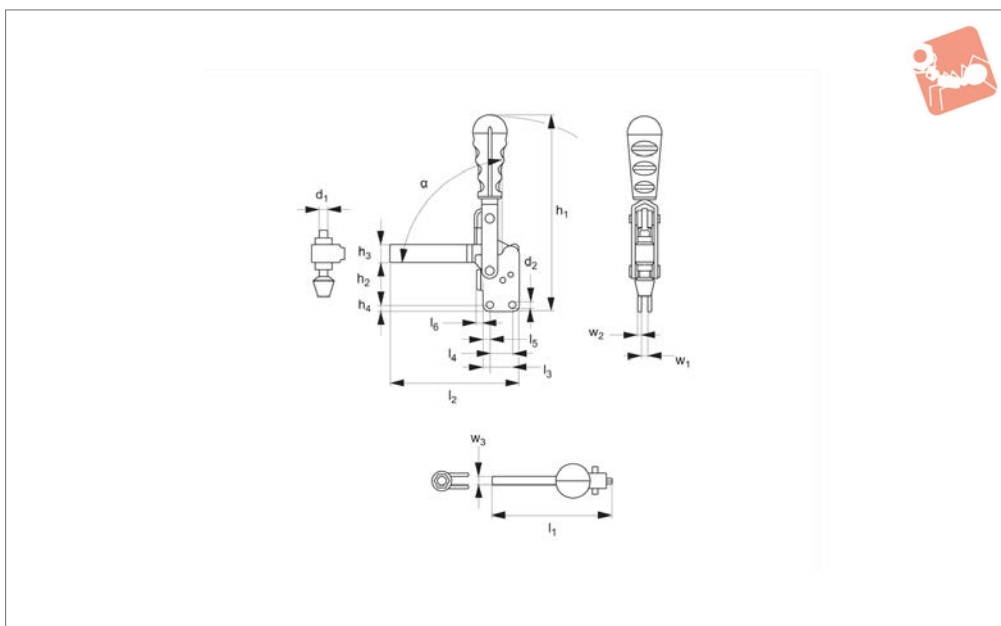
Opening angle (symbola/symbolsymbola/

Order No.	Size	Holding force kN	d ₁	d ₂	h ₁	h ₂	h ₃	Weight g
EC602-2	2	1.1	M 6	5.2	122	28.5	11.0	160
EC602-3	3	1.7	M 8	7.1	190	40.4	17.5	380
EC602-4	4	2.8	M10	8.3	240	54.5	22.0	600
EC602-5	5	3.6	M12	8.7	240	57.4	22.5	1100

Order No.	h ₄	l ₁	l ₂	l ₃	l ₄	l ₅	l ₆	l ₇	w ₁	w ₂	w ₃	α/α*
EC602-2	5.5	71.2	27	21.7	12.7	8.3	7	6.7	6.2	6	3	93°
EC602-3	7.5	90.2	35	29.2	19.0	18.8	8	5.5	8.9	6	3	91°
EC602-4	9.5	142.0	50	62.0	32.0	12.3	9	10.0	10.6	8	4	90°/115°
EC602-5	9.5	179.0	51	81.4	31.8	20.0	10	12.2	13.4	10	5	101°/129°



EC606



Material

Body: steel, zinc plated.

Bushes: case hardened and greased.

Handle: plastic, red, oil resistant.

Supplied complete with clamping screw (with rubber pad).

Order No.	Size	Holding force kN	d ₁	d ₂	h ₁	h ₂	h ₃	h ₄	l ₁	Weight g
EC606-3	3	2.0	M 8	7.1	190	40.4	17.5	7.5	123	380
EC606-4	4	3.4	M10	8.3	240	54.5	22.0	9.5	141	600
EC606-5	5	4.5	M12	8.7	240	57.4	22.5	9.5	176	1100

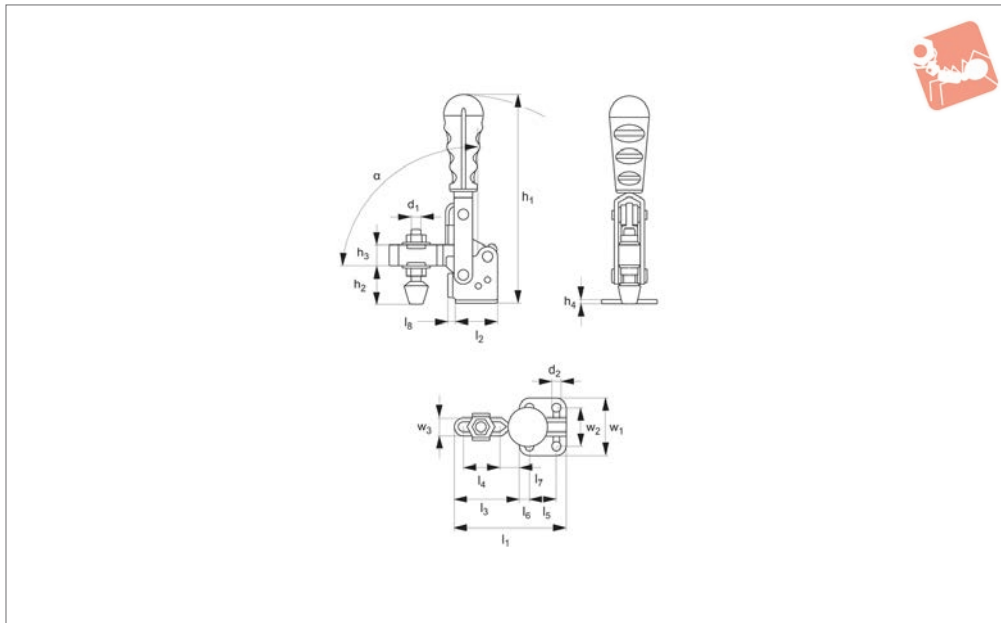
Order No.	l ₂	l ₃	l ₄	l ₅	l ₆	w ₁	w ₂	w ₃	α
EC606-3	88.4	35	19	8	5.5	6	6	3	90°
EC606-4	90.0	50	32	9	10.0	8	8	4	90°
EC606-5	125.0	51	32	10	12.2	10	10	5	103°



Toggle Clamps - Vertical Acting

economy - horizontal base - open arm

Economy Toggle Clamps



EC600

ECONOMY TOGGLE CLAMPS

Material

Body: steel, zinc plated.
Rivets: stainless steel.

Bushes: case hardened and greased.

Handle: plastic, red, oil resistant.

Supplied complete with clamping screw

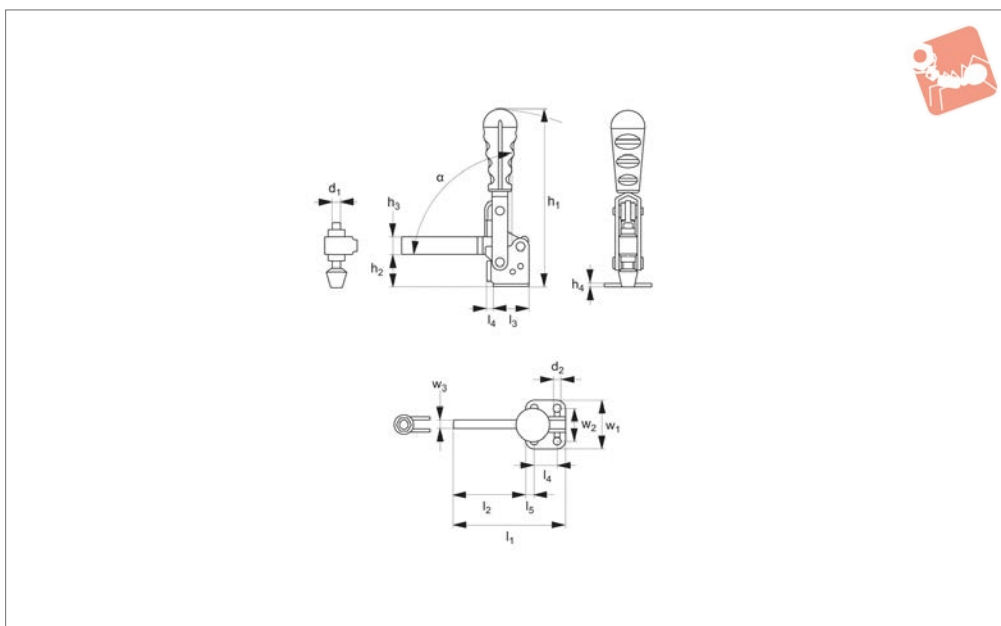
(with rubber pad).

Order No.	Size	Holding force kN	d ₁	d ₂	h ₁	h ₂	h ₃	h ₄	l ₁	l ₂	Weight g
EC600-1	1	0.5	M 5	4.4	77	19	8.0	2.0	50.4	26.0	50
EC600-2	2	1.5	M 6	5.1	111	23	11.0	3.0	69.9	27.0	190
EC600-3	3	2.5	M 8	7.1	175	32	17.5	3.2	90.0	35.0	380
EC600-4	4	3.4	M10	8.3	218	42	22.0	4.0	143.0	50.0	810
EC600-5	5	3.6	M12	8.7	224	51	22.5	3.0	176.0	50.8	1100

Order No.	l ₃	l ₄	l ₅	l ₆	l ₇	l ₈	w ₁	w ₂	w ₃	α
EC600-1	24.4	16.4	16.0	5.0	3.5	-	33.4	23.4	5.0	67,4°
EC600-2	42.9	21.5	12.7	7.0	15.0	-	37.9	26.9	6.0	93,0°
EC600-3	55.0	28.0	19.0	8.0	19.0	5.5	47.0	32.0	8.9	90,4°
EC600-4	92.8	60.5	32.0	9.0	23.0	10.0	64.0	45.0	10.6	90,0°
EC600-5	125.0	82.5	32.0	9.5	31.0	12.2	64.0	45.0	13.4	101°



EC604



Material

Body: steel, zinc plated.
Rivets: stainless steel.
Bushes: case hardened and greased.

Handle: plastic, red, oil resistant.
Supplied complete with clamping screw and rubber nose.

Technical Notes

symbol α /symbol* alternative angle through use of removable stop.

Order No.	Size	Holding force kN	d ₁	d ₂	h ₁	h ₂	h ₃	h ₄	Weight g
EC604-3	3	2.0	M 8	7.1	175	32.0	17.5	3	380
EC604-4	4	3.4	M10	8.3	218	42.0	22.0	4	600
EC604-5	5	4.5	M12	8.7	224	50.8	22.5	8	1100

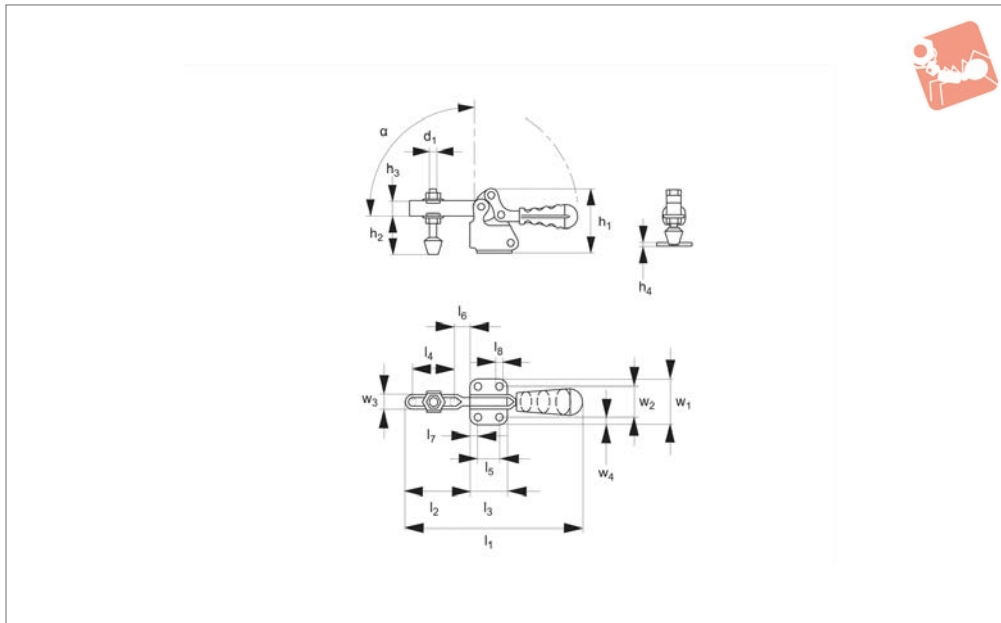
Order No.	l ₁	l ₂	l ₃	l ₄	l ₅	w ₁	w ₂	w ₃	α/α^*
EC604-3	123	88.4	35	19	8	47.0	32.0	6	90°
EC604-4	141	91.0	50	32	9	64.0	45.0	8	90°
EC604-5	176	125.0	51	32	10	64.2	45.2	10	103°/112°



Toggle Clamps - Horizontal Acting

economy - horizontal base - open arm

Economy Toggle Clamps



EC630

ECONOMY TOGGLE CLAMPS

Material

Body: steel, zinc plated.

Bushes: case hardened and greased.

Handle: plastic, red, oil resistant.

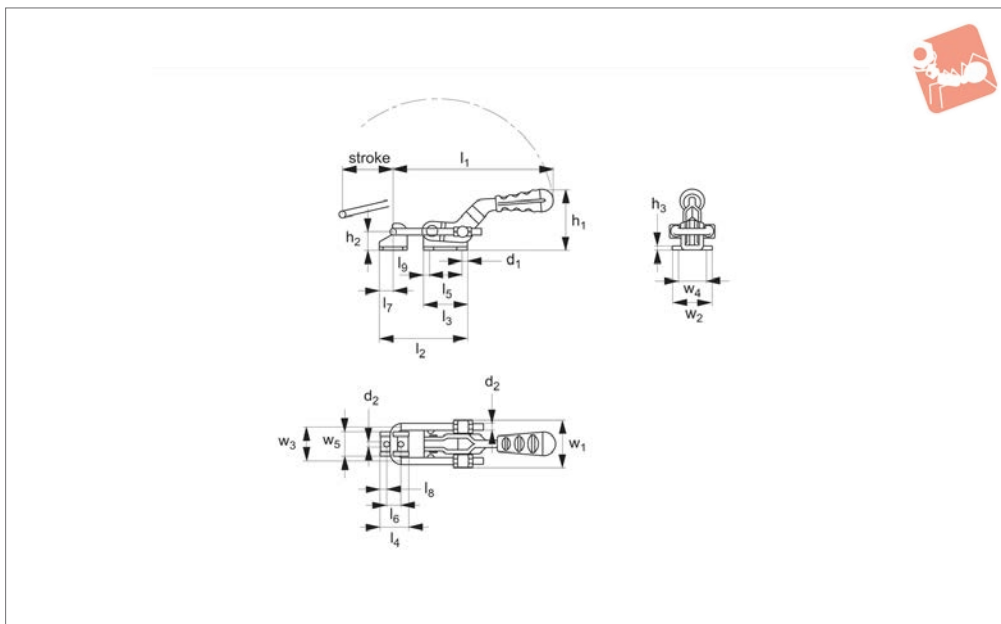
Supplied complete with clamping screw (with rubber pad).

Order No.	Size	Holding force kN	d ₁	d ₂	h ₁	h ₂	h ₃	h ₄	l ₁	Weight g
EC630-1	1	0.7	M 5	5.2	38.2	19	9.5	2.0	105	70
EC630-2	2	0.9	M 6	5.5	52.6	25	14.0	2.5	162	230
EC630-3	3	2.2	M 8	6.6	68.5	34	17.5	3.0	189	430
EC630-4	4	3.4	M10	8.7	90.0	45	23.8	4.0	269	910

Order No.	l ₂	l ₃	l ₄	l ₅	l ₆	l ₇	w ₁	w ₂	w ₃	w ₄	α
EC630-1	36.8	25	20.0	13.5	12.0	5.7	27	19	5.8	-	94°
EC630-2	61.4	38	36.5	26.0	19.0	6.0	40	28	6.2	3.0	96°
EC630-3	66.3	42	36.8	26.0	22.0	8.0	47	31	9.0	2.5	96°
EC630-4	103.0	59	64.8	41.2	28.5	9.0	59	43	11.4	1.8	95°



EC648



Material

Body: steel, zinc plated.

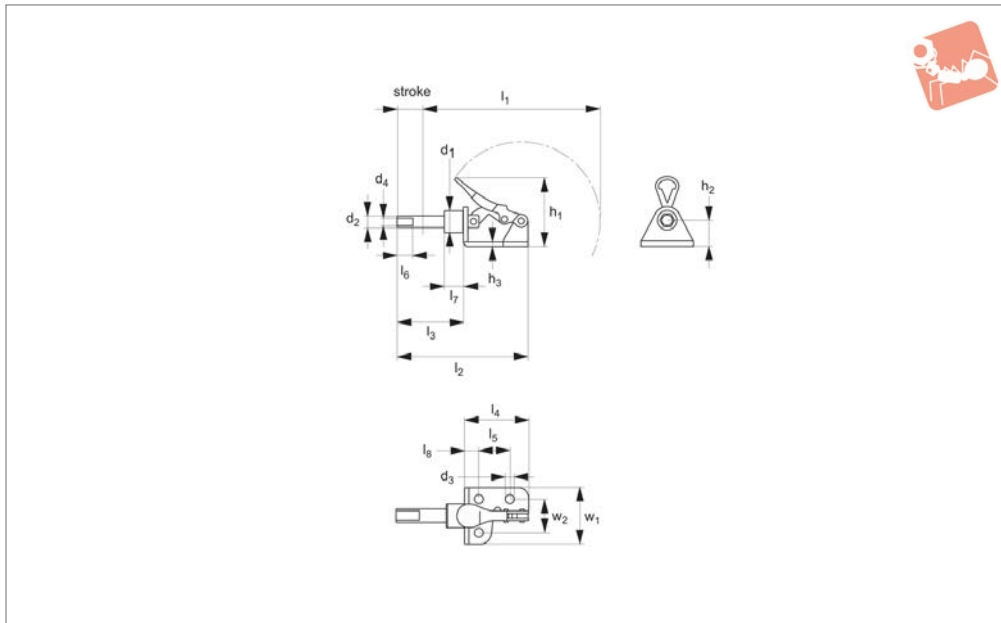
Bushes: case-hardened and greased.

Handle: plastic, red, oil resistant.

Complete with counter strike.

Order No.	Size	Holding force kN	Stroke s_1	d_1	d_2	d_3	h_1	h_2	h_3	l_1	l_2 max.	Weight g
EC648-2	2	1.6	27.5	4.2	4.2	M 4	32	12	2	96	59	70
EC648-3	3	3.2	35.5	6.7	6.7	M 5	57	14	3	151	80	250
EC648-4	4	7.0	66.5	8.5	8.5	M 8	85	24	4	203	118	750

Order No.	l_3	l_4	l_5	l_6	l_7	l_8	l_9	w_1	w_2	w_3	w_4	w_5
EC648-2	26.0	20.0	16.0	10.0	9.0	6.0	5.0	28.0	28.0	19.0	19	13
EC648-3	39.5	25.3	19.0	14.3	12.3	5.5	6.5	42.0	44.5	25.5	32	20
EC648-4	60.5	38.0	41.3	19.0	19.0	9.5	9.6	60.5	54.0	44.5	38	30



EC641

ECONOMY TOGGLE CLAMPS

Material

Body: steel, zinc plated.
 Bushes: stainless steel, hardened and

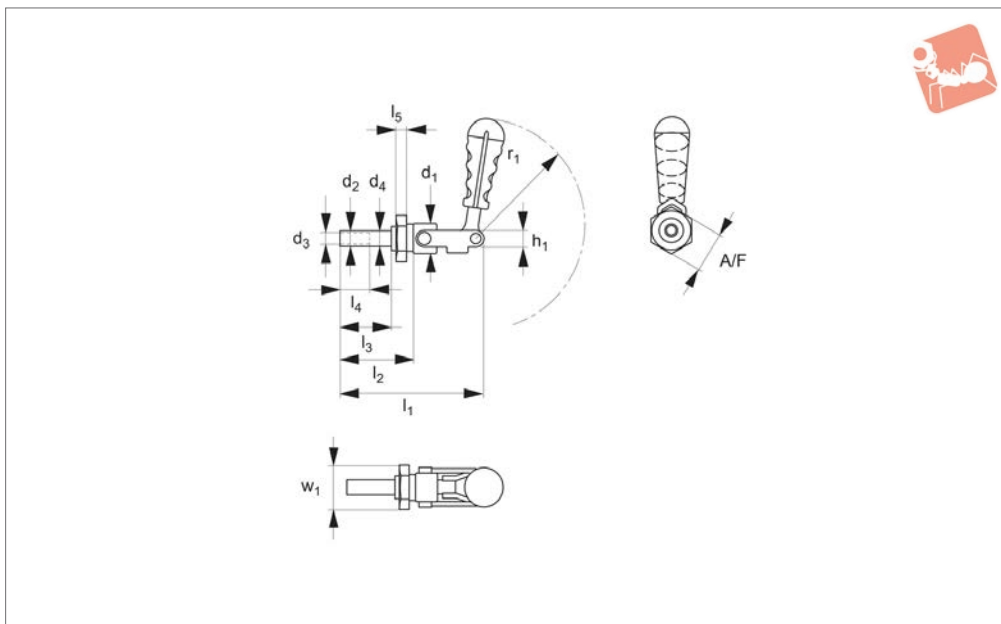
greased.
 Handle: plastic, red, oil resistant.
 Supplied complete with clamping screw

(with rubber pad).

Order No.	Size	Holding force		d ₁	d ₂	d ₃	d ₄	h ₁	l ₁	Weight		
		kN								g		
EC641-0	0	0.5		11	6.5	4.4	4	35	88.5	50		
Order No.	h ₂	l ₂	h ₃	l ₃	l ₄	l ₅	l ₆	l ₇	l ₈	w ₁	w ₂	Stroke s ₁
EC641-0	12.7	68	12.7	35	33	16	12	10	7	27	16	16



EC644



Material

Body: steel, zinc plated.
Bushes: stainless steel, hardened and greased.

Handle: plastic, red, oil resistant.
Supplied complete with clamping screw (with rubber pad).

Important Notes

Supplied with corresponding mounting plate - see drawing for dimensions.

Order No.	Size	Holding force kN	d ₁	d ₂	d ₃	d ₄	h ₁	l ₁	l ₂	l ₃	l ₄	l ₅	r ₁	w ₁	A/F	Stroke	Weight g
EC644-2	2	0.9	19	9.4	M 6	M16x1,5	9.5	64	33.5	20.7	15.8	6.4	66.3	26.0	23	19.7	110
EC644-3	3	1.3	19	11.0	M 8	M20x1,5	11.0	104	56.0	39.7	26.0	6.4	90.5	32.6	30	39	280