

EC641

ECONOMY TOGGLE CLAMPS

Material

Body: steel, zinc plated.

Bushes: stainless steel, hardened and

greased.

Handle: plastic, red, oil resistant.

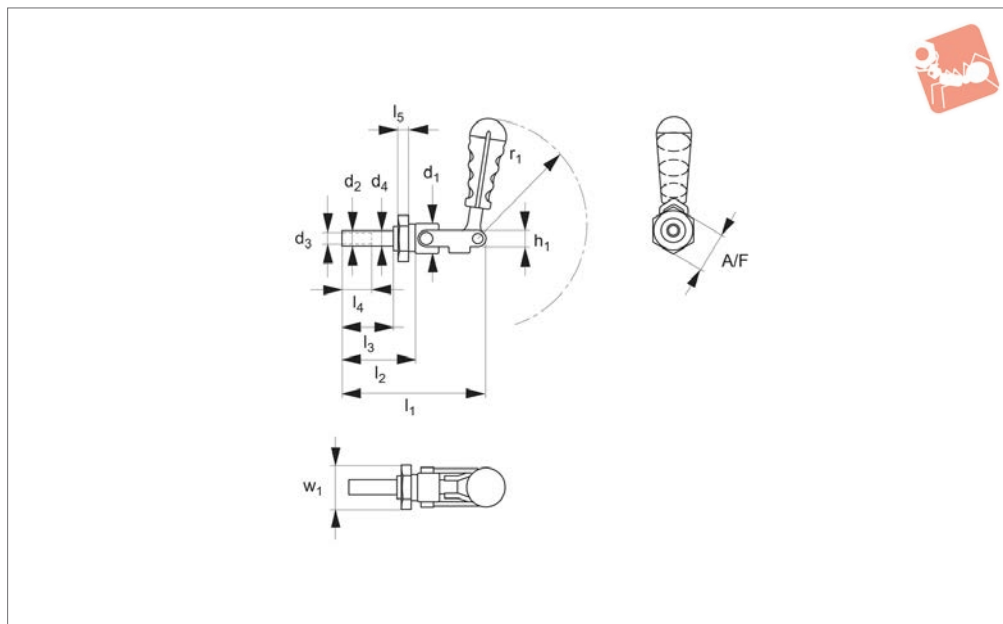
Supplied complete with clamping screw

(with rubber pad).

Order No.	Size	Holding force		d ₁	d ₂	d ₃	d ₄	h ₁	l ₁	Weight		
		kN								g		
EC641-0	0	0.5		11	6.5	4.4	4	35	88.5	50		
Order No.	h ₂	l ₂	h ₃	l ₃	l ₄	l ₅	l ₆	l ₇	l ₈	w ₁	w ₂	Stroke s ₁
EC641-0	12.7	68	12.7	35	33	16	12	10	7	27	16	16



EC644



Material

Body: steel, zinc plated.
Bushes: stainless steel, hardened and greased.

Handle: plastic, red, oil resistant.

Supplied complete with clamping screw (with rubber pad).

Important Notes

Supplied with corresponding mounting plate - see drawing for dimensions.

Order No.	Size	Holding force kN	d ₁	d ₂	d ₃	d ₄	h ₁	l ₁	l ₂	l ₃	l ₄	l ₅	r ₁	w ₁	A/F	Stroke	Weight g
EC644-2	2	0.9	19	9.4	M 6	M16x1,5	9.5	64	33.5	20.7	15.8	6.4	66.3	26.0	23	19.7	110
EC644-3	3	1.3	19	11.0	M 8	M20x1,5	11.0	104	56.0	39.7	26.0	6.4	90.5	32.6	30	39	280