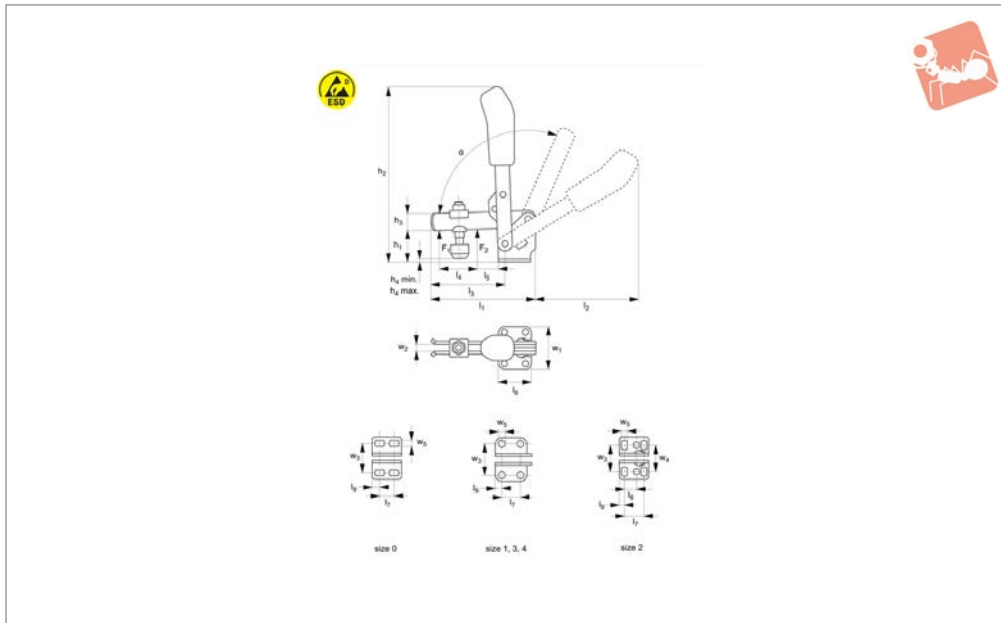




Vertical Acting Toggle Clamps

ESD - open arm - horizontal base



40000.3

ESD TOGGLE CLAMPS

Material

Body: steel, zinc plated.
 Rivets: stainless steel running in hardened bushings (sizes 2-3). Bearing positions are greased.
 With protective cap and handle made of electrostatic conductive (dissipative) material. The handle is ergonomic, soft

feel, oil-resistant and with large grip area. Safety clamping piece with finger protection, retainer for the clamping screw at the end of the clamping arm.
 Complete with zinc plated and tempered clamping screw no. 45060.W0300- .W0303.

Technical Notes

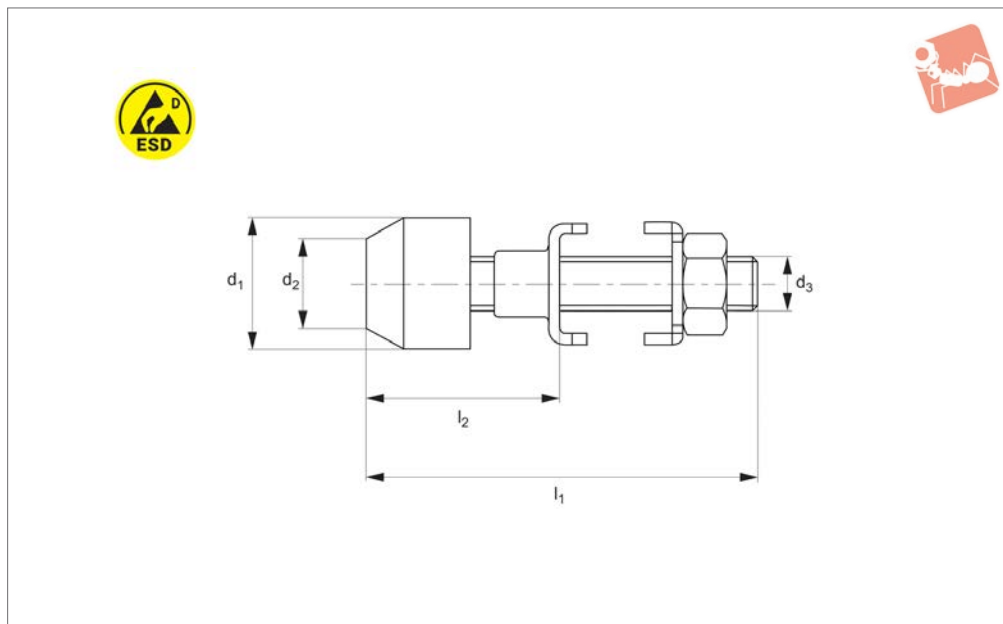
Temperature range -10°C to +80°C.
The ESD (electrostatically sensitive devices) vertical clamp is non-insulating. It must not be used in areas where open voltages are used.

Order No.	Size	F ₁ kN	F ₂ kN	Clamping screw	h ₁	h ₂	h ₃	h ₄ min.	h ₄ max.	l ₁	l ₂	l ₃	Weight g
40000.W0200	0	0.5	0.7	M 4x25	18	81	8	-1.5	3.5	49	50	31	60
40000.W0201	1	0.6	1.1	M 5x30	19	98	10	-4.0	2.0	61	58	39	105
40000.W0202	2	0.8	1.2	M 6x35	23	140	12	-3.0	4.5	78	89	52	175
40000.W0203	3	1.2	2.5	M 8x45	33	186	18	2.0	11.0	112	112	79	410

Order No.	l ₄	l ₅	l ₆	l ₇	l ₈	l ₉	w ₁	w ₂	w ₃	w ₄	w ₅	α	α*
40000.W0200	14	5	22	8,5-13,5	-	5.5	32	4	23.0	-	4.5	95°	-
40000.W0201	18	6	27	16.0	-	5.5	34	5	22,5-26,0	-	4.5	95°	-
40000.W0202	25	11	32	20.0	12.5	6.0	43	6	23,0-31,0	27	5.5	105°	60°
40000.W0203	37	19	35	20.0	-	7.5	46	8	32.5	-	7.5	105°	60°



45060.3



Material

Steel, zinc plated and tempered steel.
Tensile strength class 8.8. With nut and removable rubber pad.

Technical Notes

The ESD (electrostatically sensitive devices) clamping screw is non-insulating. It must not be used in areas

where open voltages are used.

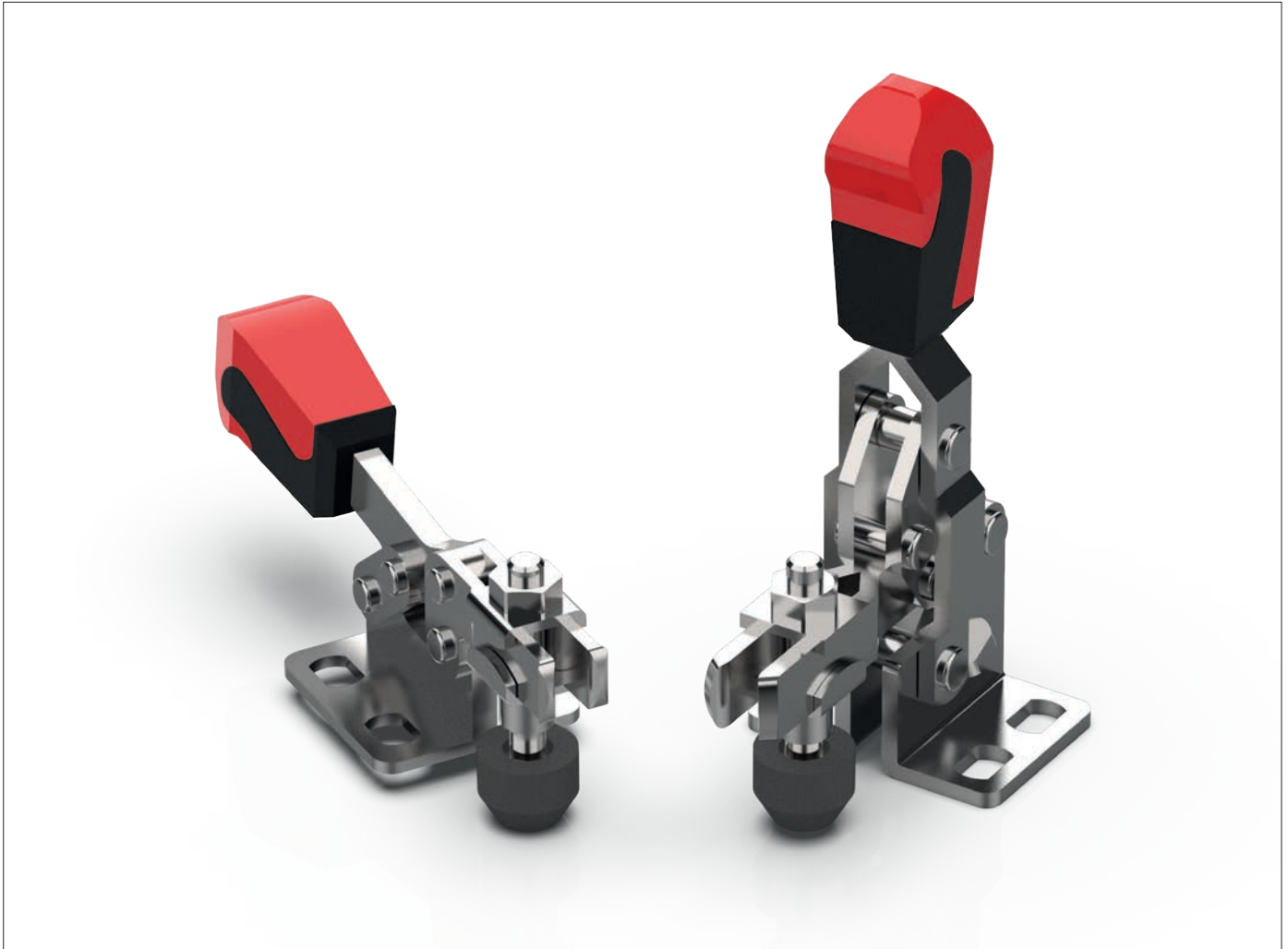
Order No.	Size	Type	Washer size	l_1	l_2	d_1	d_2	Screw DIN 933 $d_3 \times l_3$	Weight g
45060.W0300	0	Steel	0	32	13-20	11.0	7	M 4x25	5
45060.W0301	1	Steel	1	38	17-24	12.5	8	M 5x30	10
45060.W0302	2	Steel	2	45	18-28	15.0	10	M 6x35	22
45060.W0303	3	Steel	3	58	22-34	15.0	10	M 8x45	40



The ESD toggle clamps have been specially developed for working with electrostatically sensitive components, assemblies or devices in ESD protection zones (EPA) in accordance with the standard DIN EN 61340-5-1. All our toggle clamps have been tested and certified by an independent expert regarding leakage resistance, discharge time and surface tension.

Features

- Leakage resistance according to DIN IEC / TR 61340-5-2 between 10^{04} and 10^{09} Ohm.
- Discharge time according to DIN IEC / TR 61340-5-2 < 2 seconds.
- Surface tension (electric field strength) according to DIIN EN 61340-5-1 < 100 Volt.



ESD TOGGLE CLAMPS

ov-W40000,3-A-T-W45060,3-A-T-ESD-toggle-clamps-overview-rmh- Updated -27-10-2022