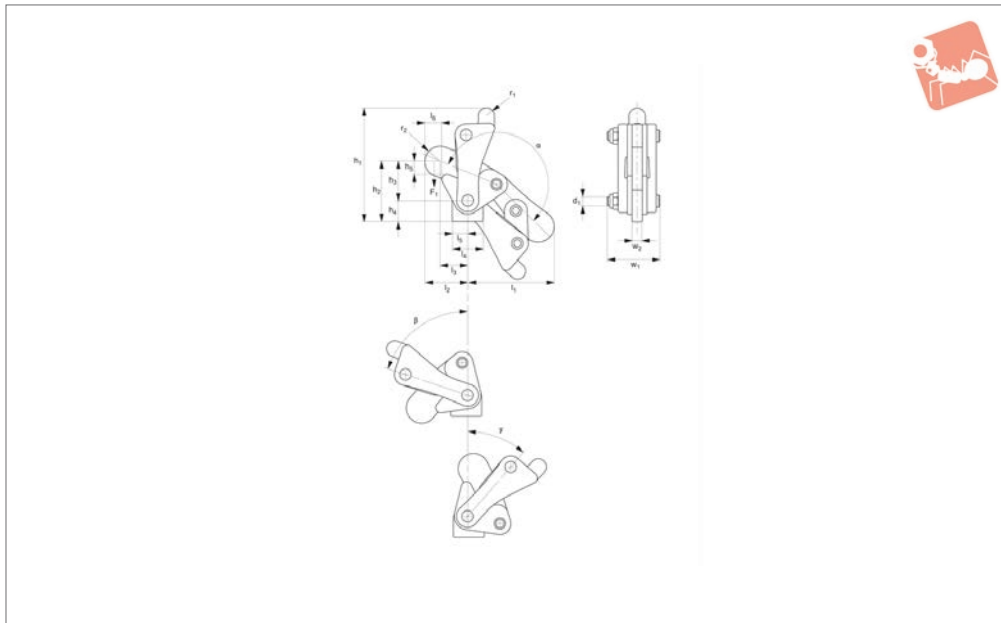




# Modular Toggle Clamp

swivelling foot - welding version

# Heavy Duty Toggle Clamps



**46050**

HEAVY DUTY TOGGLE CLAMPS

### Material

Body: steel, black oxide coated.  
 Lever: cast steel, black oxide coated.  
 Bushes: reamed and case hardened bearings.  
 Pins: hardened, ground and permanently lubricated.

### Technical Notes

Mechanism can be welded at an angle to its support. Clamp nuts on lever arm enable adjustment of friction in clamp movement.  
 Temperature range -10°C to +80°C.

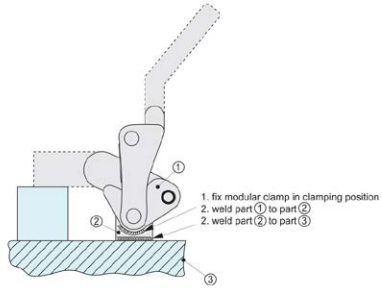
### Tips

Supplement these base modular toggle clamps with your own clamping arms, handles etc. to meet the requirements of your specific application.

Order No.	Size	F <sub>1</sub> kN	h <sub>1</sub>	h <sub>2</sub>	h <sub>3</sub>	h <sub>4</sub>	h <sub>5</sub>	l <sub>1</sub>	l <sub>2</sub>	Weight g
46050.W0002	2	2.5	76	38	18	20.0	5	58	32	205
46050.W0004	4	7.0	112	58	38	20.0	12	82	41	855
46050.W0006	6	11.0	145	78	50	28.0	16	105	55	1600
46050.W0008	8	22.5	172	98	65	33.0	19	135	72	3100
46050.W0010	10	34.0	210	117	83	33.5	25	155	77	5560

Order No.	l <sub>3</sub>	l <sub>4</sub>	l <sub>5</sub>	l <sub>6</sub>	r <sub>1</sub>	r <sub>2</sub>	w <sub>1</sub>	w <sub>2</sub>	d <sub>1</sub>	α	β	γ
46050.W0002	22	22	11	12	5	10.0	31	6	M 6	200°	70°	40°
46050.W0004	26	30	15	16	8	15.0	52	10	M 8	200°	70°	40°
46050.W0006	36	36	18	20	11	18.0	60	12	M10	200°	70°	40°
46050.W0008	50	50	25	27	14	22.5	76	16	M12	200°	70°	40°
46050.W0010	52	70	35	22	14	25.0	90	20	M16	200°	60°	28°

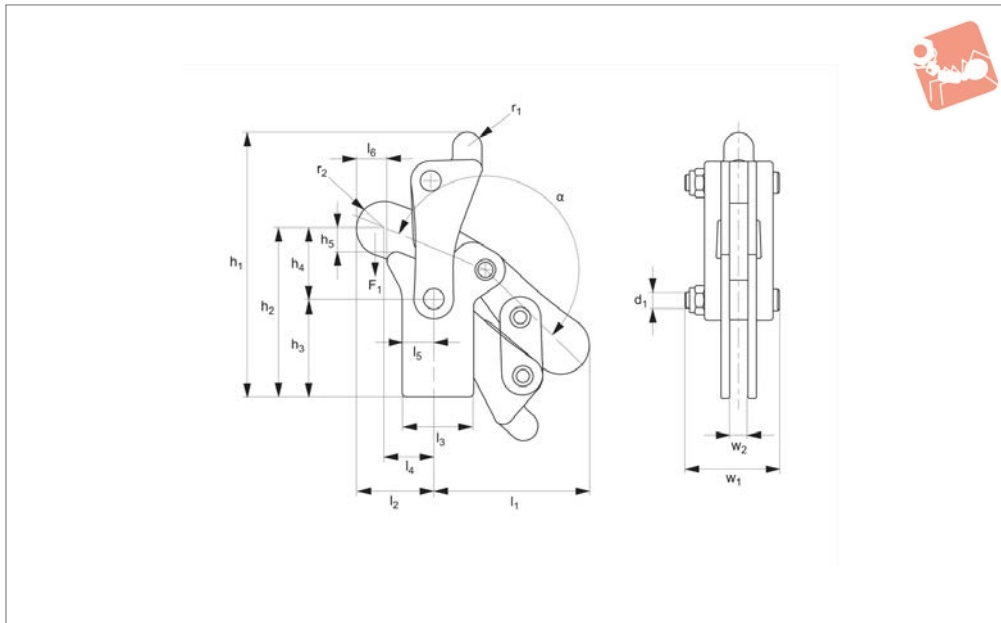




# Modular Toggle Clamp

vertical foot - welding version

# Heavy Duty Toggle Clamps



**46060**

HEAVY DUTY TOGGLE CLAMPS

### Material

Body: steel, black oxide coated.  
 Lever: cast steel, black oxide coated.  
 Bushes: reamed and case hardened bearings.  
 Pins: hardened, ground and permanently

lubricated.

### Technical Notes

Clamp nuts on lever arm enable adjustment of friction in clamp movement.  
 Temperature range -10°C to +80°C.

### Tips

Supplement these base modular toggle clamps with your own clamping arms, handles etc. to meet the requirements of your specific application.

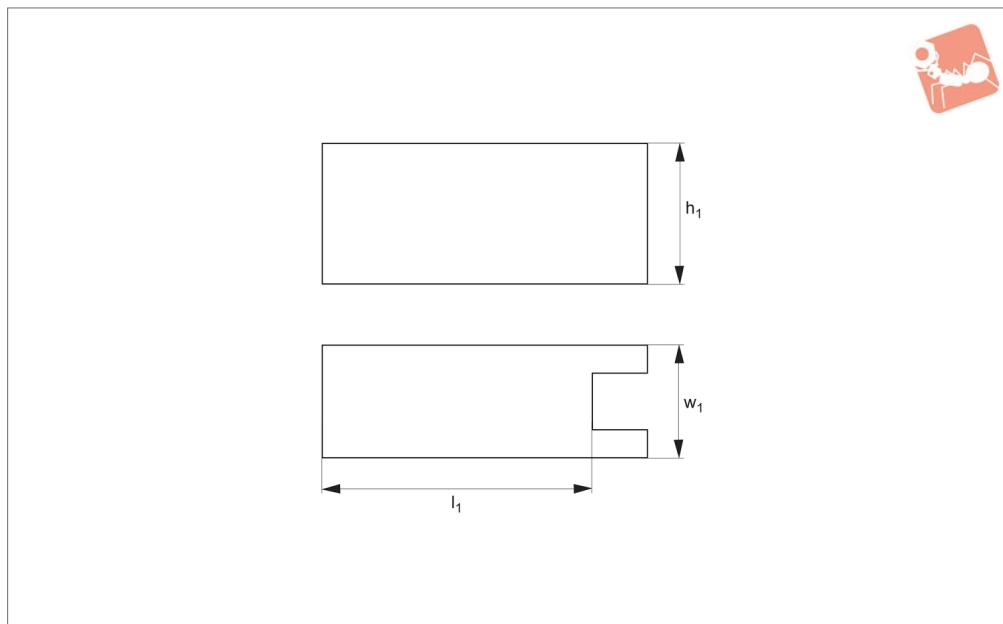
Order No.	Size	F <sub>1</sub> kN	h <sub>1</sub>	h <sub>2</sub>	h <sub>3</sub>	h <sub>4</sub>	h <sub>5</sub>	l <sub>1</sub>	l <sub>2</sub>	Weight g
46060.W0002	2	2.5	90	52	34	18	5	58	32	245
46060.W0004	4	7.0	142	88	50	38	12	82	41	970
46060.W0006	6	11.0	182	114	64	50	16	106	55	1750
46060.W0008	8	22.5	218	140	76	64	19	135	72	3310
46060.W0010	10	34.0	266	173	90	83	25	155	77	5970

Order No.	l <sub>3</sub>	l <sub>4</sub>	l <sub>5</sub>	l <sub>6</sub>	r <sub>1</sub>	r <sub>2</sub>	w <sub>1</sub>	w <sub>2</sub>	d <sub>1</sub>	α
46060.W0002	30	22	14	12	5	10.0	31	6	M 6	190°
46060.W0004	44	26	19	16	8	15.0	52	10	M 8	190°
46060.W0006	55	36	28	20	11	18.0	60	12	M10	190°
46060.W0008	66	50	37	27	14	22.5	76	16	M12	190°
46060.W0010	80	52	40	22	14	25.0	90	20	M16	190°



### 46070.1



#### Material

Steel, black oxide coated.  
For welding.

#### Technical Notes

To suit modular toggle clamps 46050 and 46060.

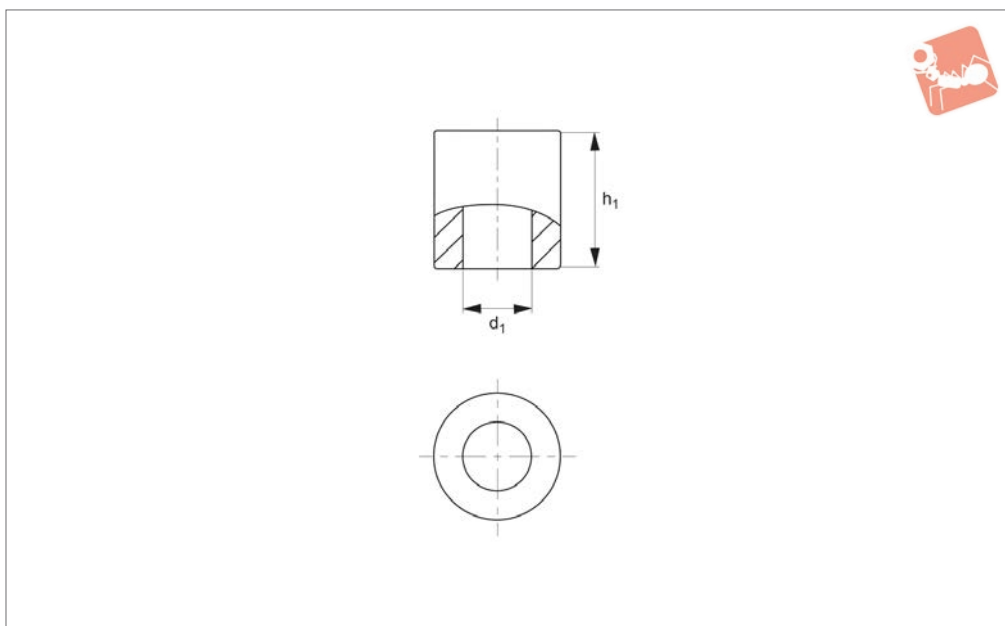
Temperature range -10°C to +80°C.

Order No.	Size	$l_1 \times h_1 \times w_1$	Weight g
46070.W0002	2	40x15x15	81
46070.W0004	4	48x25x20	208
46070.W0006	6	60x30x25	390
46070.W0008	8	75x35x30	676
46070.W0010	10	94x35x35	970



# Clamping Screw Holder for modular toggle clamps

## Heavy Duty Toggle Clamps



**46070.2**

HEAVY DUTY TOGGLE CLAMPS

### Material

Steel, black oxide coated.  
For welding.

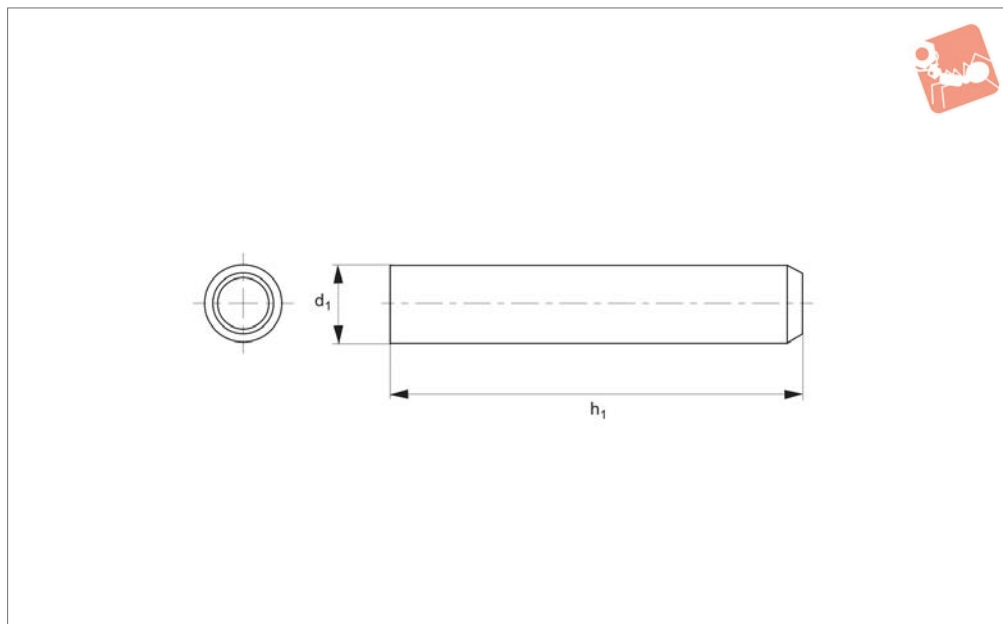
### Technical Notes

To suit modular toggle clamps 46050 and 46060.

Order No.	Size	$d_1 \times h_1$	Weight g
46070.W0102	2	6,5x20	26
46070.W0104	4	12,1x24	50
46070.W0106	6	12,1x30	63
46070.W0108	8+10	12,1x36	75



**46070.3**



### Material

Steel, black oxide coated.  
For welding.

### Technical Notes

To suit modular toggle clamps 46050 and 46060.

Chamfered to protect operator's hands.

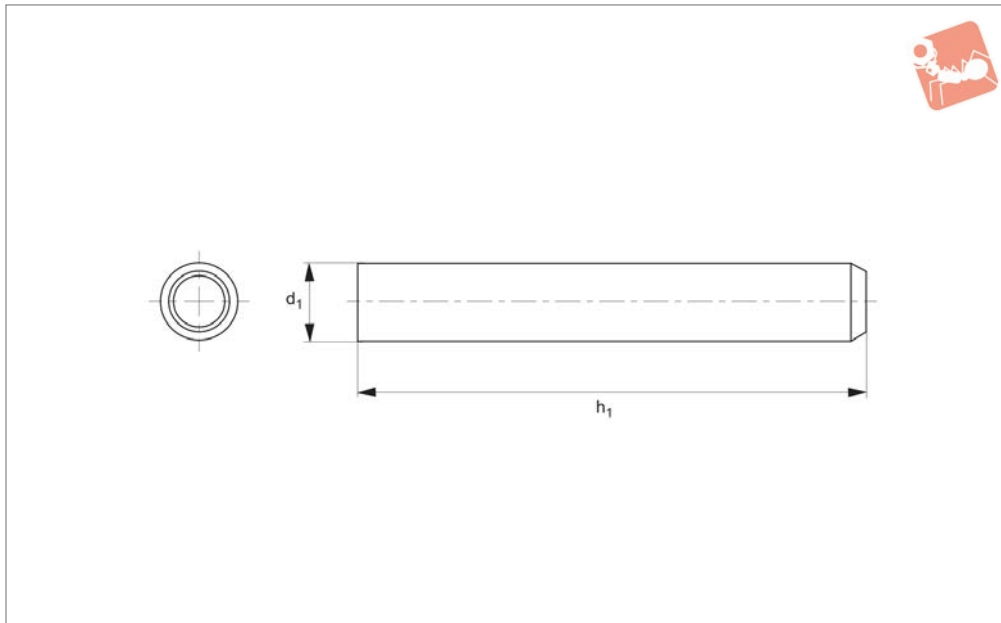
Order No.	Size	$d_1 \times h_1$	Weight g
46070.W0202	2	13x55	37
46070.W0204	4	18x95	104
46070.W0206	6	22x105	148
46070.W0208	8+10	28x115	148



# Lever Arm Tube - Long

for modular toggle clamps

## Heavy Duty Toggle Clamps



**46070.4**

HEAVY DUTY TOGGLE CLAMPS

### Material

Steel, black oxide coated.  
For welding.

### Technical Notes

To suit modular toggle clamps 46050 and 46060.

Chamfered to protect operator's hands.

Order No.	Size	$d_1 \times h_1$	Weight g
46070.W0302	2	13x95	60
46070.W0304	4	18x120	132
46070.W0306	6	22x150	211
46070.W0308	8+10	28x180	333

# Heavy Duty Toggle Clamps

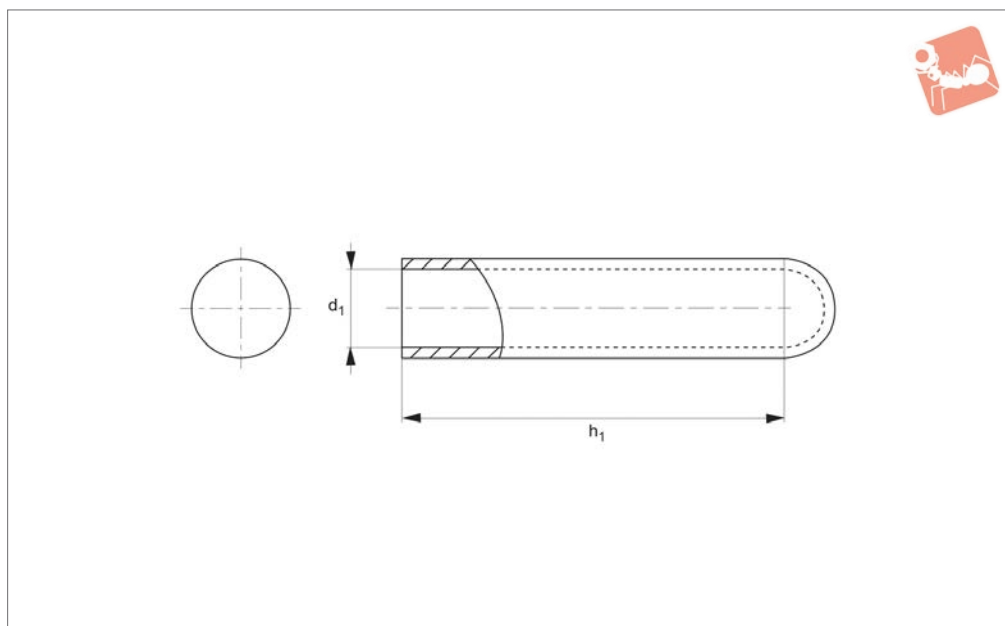
## Grips for Levers for modular toggle clamps



HEAVY DUTY TOGGLE CLAMPS



### 46070.5



#### Material

Oil-resistant plastic, red.

#### Technical Notes

To suit lever arms 46070.W0202- .W0208  
and 46070.W0302 - .W0308.

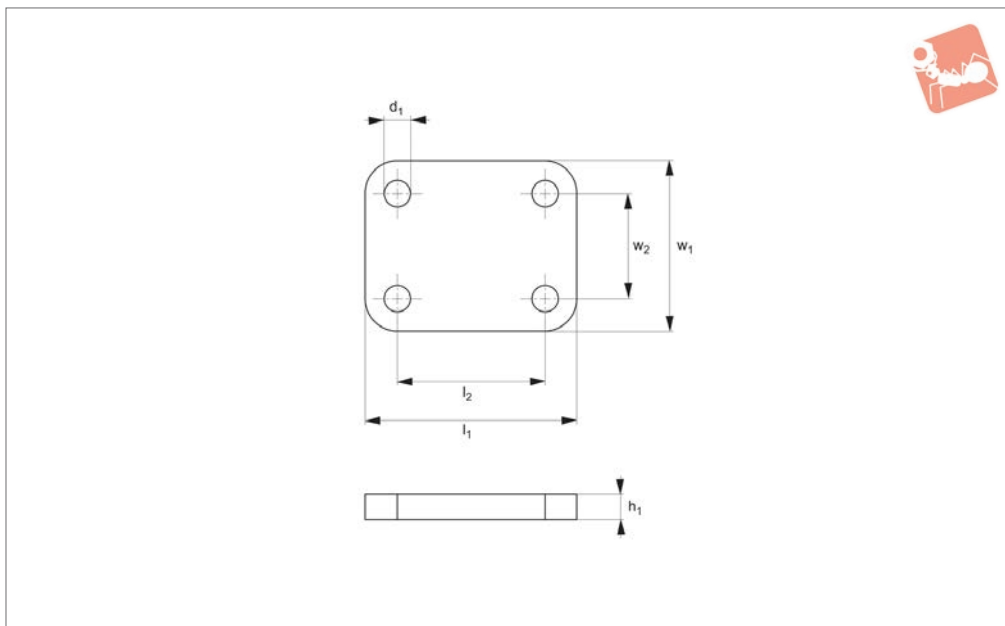
Order No.	Size	$d_1 \times h_1$	Weight g
46070.W0402	2	13x50	7
46070.W0404	4	18x90	21
46070.W0406	6	22x100	28
46070.W0408	8+10	28x110	39





# Base Plate for modular toggle clamps

# Heavy Duty Toggle Clamps



## 46070.6

HEAVY DUTY TOGGLE CLAMPS

### Material

Steel, black oxide coated.  
For welding.

Order No.	Size	$h_1$	$l_1$	$l_2$	$w_1$	$w_2$	$d_1$	Weight g
46070.W0502	2+4	8	50	35	40	25	6.5	86
46070.W0506	6	8	50	30	60	40	8.5	211
46070.W0508	8	8	65	45	70	50	8.5	333
46070.W0510	10	10	70	50	80	60	10.5	406