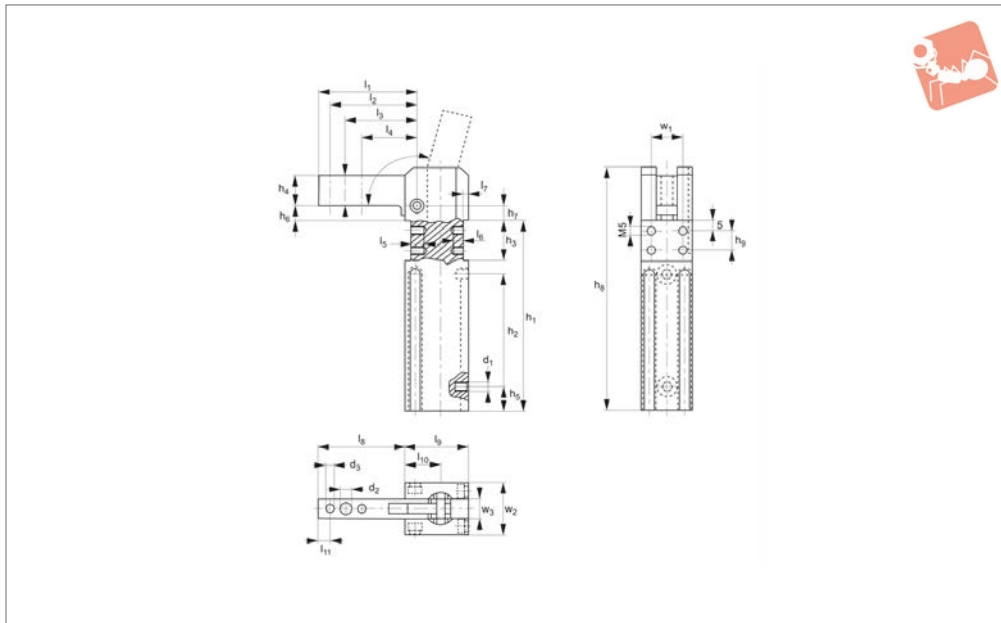




Pneumatic Toggle Clamp

double acting

Pneumatic Toggle Clamps



47902

PNEUMATIC TOGGLE CLAMPS

Material

Case: high-strength aluminium, red anodised.

Clamp arm: steel, burnished, with three holes.

Max. operating pressure 6 bar. Mini design

in block version for clamping and gripping applications. Magnetic piston for end-position monitoring.

Technical Notes

Suitable proximity switches for end-

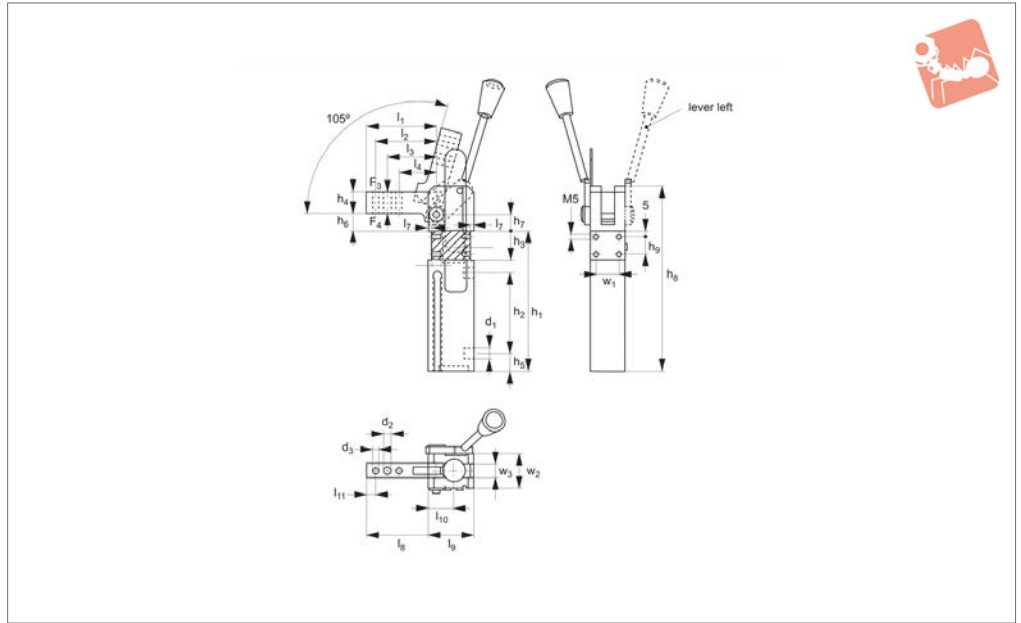
position monitoring are available using order 45001. 0.3m PUR cable with M8 connector and rotatable knurled nuts. Switching function: NOC. Output: PNP.

Order No.	Size	Clamping moment at 5 bar Nm	Holding moment Nm max.	l ₁	l ₂	l ₃	l ₄	l ₅	l ₆	l ₇	l ₈	l ₉	l ₁₀	l ₁₁	Weight g
47902.W0001	16	8	25	50	44	36	28	7	5	2.5	44	32	18	6	300
47902.W0002	20	15	54	60	52	42	32	8	6	3.0	53	39	22	8	550
47902.W0003	25	25	75	75	65	53	40	8	6	4.0	68	45	25	10	850

Order No.	h ₁	h ₂	h ₃ +0.1	h ₄	h ₅	h ₆	h ₇	h ₈	h ₉ ±0.1	d ₁	d ₂	d ₃ tol. H7	w ₁ ±0.1	w ₂	w ₃	w ₄	Piston dia.
47902.W0001	96	57	20	15	12	7.5	7.5	123	10	M 5	5.5	4	16	26	10	18	16
47902.W0002	120	69	25	18	15	15.0	14.0	158	15	G1/8	6.5	5	20	30	12	22	20
47902.W0003	136	80	28	22	18	19.0	17.0	182	18	G1/8	8.5	6	25	35	16	25	25



47904



PNEUMATIC TOGGLE CLAMPS

Material

Case: high-strength aluminium, red anodised.
 Clamp arm: steel, bronzed, with three bores.
 Max. operating pressure 6 bar. Double-acting and with additional lever for manual

opening and/or closing. Mini design in block version for clamping and gripping applications.
 Magnetic piston for end-position monitoring.

Technical Notes

Suitable proximity switches for end-position monitoring are available using order 45001. 0.3m PUR cable with M8 connector and rotatable knurled nuts.
 Switching function: NOC. Output: PNP.

Order No.	Size	Clamping moment at 5 bar Nm	Holding moment Nm max.	l_1	l_2	l_3	l_4	l_5	l_6	l_7	l_8	l_9	l_{10}	l_{11}	h_1	Weight g
47904.W0001	16	8	25	50	44	36.0	28	7	5	2.5	44	32	18	6	96	320
47904.W0002	16	8	25	50	44	36.0	28	7	5	2.5	44	32	18	6	96	320
47904.W0003	20	15	54	60	52	42.0	32	8	6	3.0	53	39	22	8	120	700
47904.W0004	20	15	54	60	52	42.0	32	8	6	3.0	53	39	22	8	120	700
47904.W0005	25	25	75	75	65	52.5	40	8	6	4.0	68	45	25	10	136	920
47904.W0006	25	25	75	75	65	52.5	40	8	6	4.0	68	45	25	10	136	920

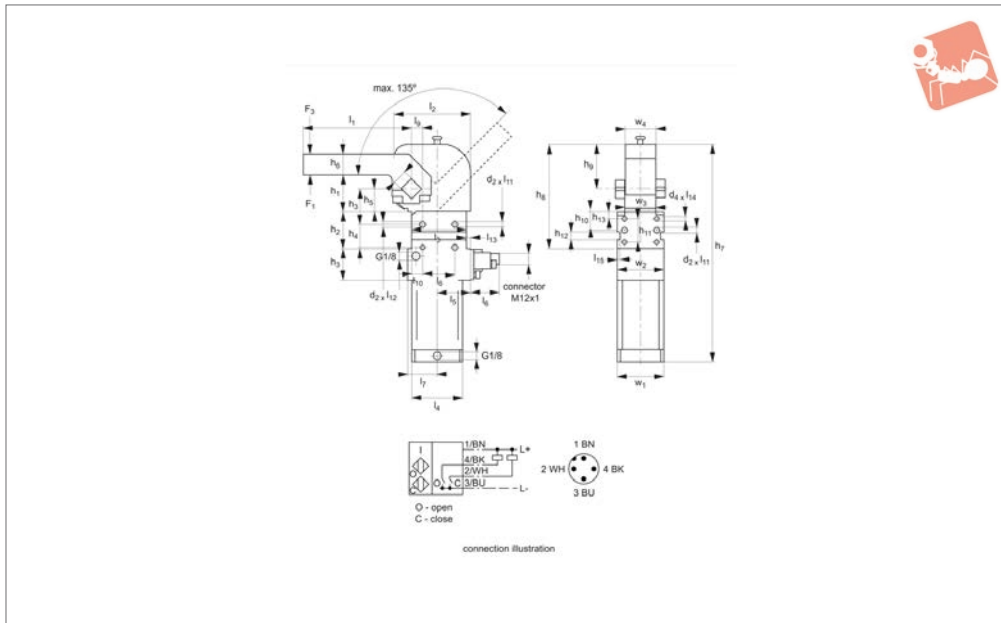
Order No.	h_2	h_3 +0.1	h_4	h_5	h_6	h_7	h_8	h_9 ± 0.1	d_1	d_2	d_3 tol. H7	w_1 ± 0.1	w_2	w_3	Lever type	Piston dia.
47904.W0001	57	20	15	12	7.5	7.5	123	10	M 5	5.5	4	10	26	10	Right	16
47904.W0002	57	20	15	12	7.5	7.5	123	10	M 5	5.5	4	10	26	10	Left	16
47904.W0003	69	25	18	15	15.0	14.0	158	15	G1/8	6.5	5	20	30	12	Right	20
47904.W0004	69	25	18	15	15.0	14.0	158	15	G1/8	6.5	5	20	30	12	Left	20
47904.W0005	80	28	22	18	19.0	17.0	182	18	G1/8	8.5	6	18	35	16	Right	25
47904.W0006	80	28	22	18	19.0	17.0	182	18	G1/8	8.5	6	18	35	16	Left	25



Heavy Pneumatic Toggle Clamp

dual acting

Pneumatic Toggle Clamps



47910.1

PNEUMATIC TOGGLE CLAMPS

Material

Case: aluminium. Max. operating pressure 6 bar. With continuously adjustable opening angle in the range 10° to 135°. With pneumatic end position cushioning and self-locking. With inductive query 24V as standard. **Clamp arm not included.**

Technical Notes

Accessories (not included in the standard

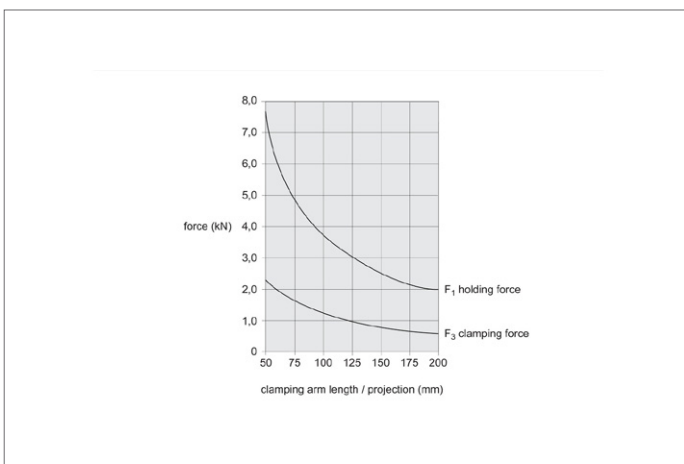
scope of delivery) are clamping arm no. 47912.W0210 - .W0218 centre, right and left, and connecting plug for inductive query.
Piston diameter: 40mm.
Clamping moment at 5 bar 120Nm.
Holding moment max. 380Nm.

Tips

These pneumatic toggle clamps are

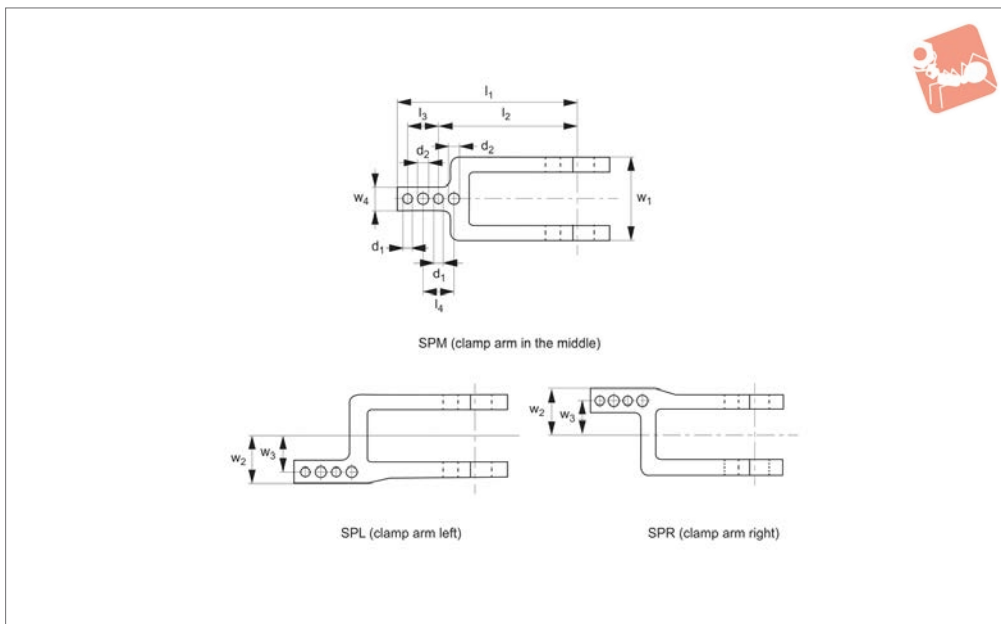
suitable for use in material handling lines and on special machines. Opening and clamping position of the clamp can be controlled electrically, allowing integration into automated manufacturing processes.

Order No.	l_1	l_2	l_3	l_4	l_5	l_6	l_7	l_8	l_9	l_{10}	l_{11}	l_{12}	l_{13}	l_{14}	l_{15}	h_1	h_{10}	Weight
									± 0.05	± 0.05							± 0.05	g
47910.W0001	117	83	60	55	36	35	34	32	12	12	8	6	4	12	3.5	40	20	1400
Order No.	h_{11}	h_{12}	h_{13}	h_2	h_3	h_4	h_5	h_6	h_7	h_8	h_9	d_1	d_2	w_1	w_2	w_3	w_4	
			± 0.1		± 0.05							tol. h9					-0.5	
47910.W0001	25	8	7.5	40	38.5	25	25	22	235.5	113	48	16	6	50	50	35	33	





47910.2



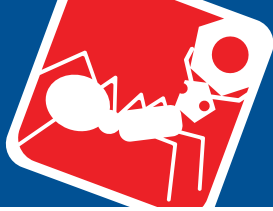
Material

Steel.

Technical Notes

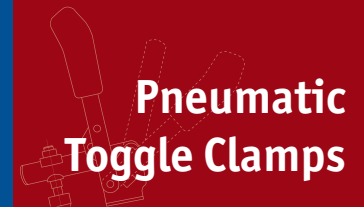
For heavy pneumatic toggle clamp no. 47910.W0001, size 40.

Order No.	Size	Clamp for 47910.W0001	l_1	l_2 ± 0.1	l_3 ± 0.02	l_4 ± 0.02	d_1	d_2	w_1	w_2	w_3 ± 0.1	w_4 -0.1	Weight g
47910.W0210	40	Left	117	90	20	20	6	7	54	31	23	16	520
47910.W0211	40	Middle	117	90	20	20	6	7	54	31	23	16	520
47910.W0212	40	Right	117	90	20	20	6	7	54	31	23	16	520

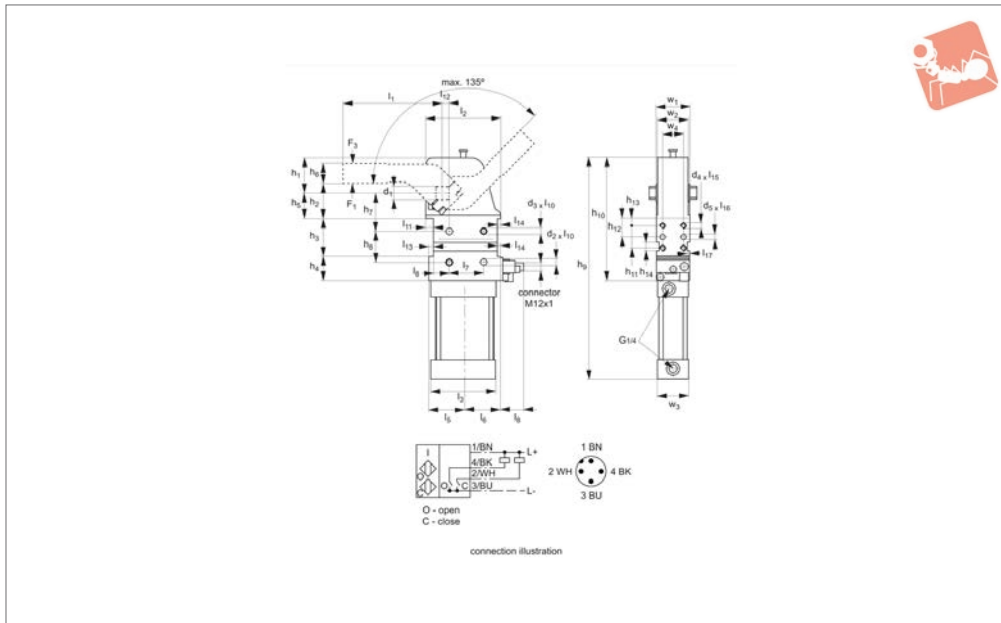


Heavy Pneumatic Toggle Clamp

dual acting



Pneumatic Toggle Clamps



47912.1

PNEUMATIC TOGGLE CLAMPS

Material

Case: aluminium. Max. operating pressure 6 bar. With continuously adjustable opening angle in the range 5° to 135°. With pneumatic end position cushioning and self-locking. With inductive query 24V as standard. **Clamp arm not included.**

Technical Notes

Accessories (not included in the standard

scope of delivery) are clamping arm no. 47912.W0210 - .W0218 centre, right and left, and connecting plug for inductive query.

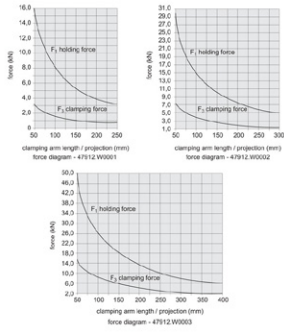
Tips

These pneumatic toggle clamps are suitable for use in material handling lines and on special machines. Opening and clamping position of the clamp can be

controlled electrically, allowing integration into automated manufacturing processes.

Order No.	l ₁	l ₂	l ₃	l ₄	l ₅	l ₆	l ₇	l ₈	l ₉ ±0.1	l ₁₀	l ₁₁	l ₁₂	l ₁₃	l ₁₄	l ₁₅	h ₁	h ₁₀ ±0.2	h ₁₁ ±0.1	Weight g
47912.W0001	144	108.0	94	93	52	52	50	33	23	12	11	10	7	5	12	51.5	178	32	3.5
47912.W0002	144	112.5	106	93	54	54	50	34	23	12	12	10	8	8	12	58.5	185	32	4.6
47912.W0003	179	162.0	140	134	81	72	70	33	36	13	20	15	8	8	15	88.0	270	50	15.6

Order No.	h ₁₂ ±0.05	h ₁₃ ±0.1	h ₁₄	h ₂	h ₃ ±0.1	h ₄	h ₅ ±0.05	h ₆ ±0.1	h ₇ ±0.05	h ₈	h ₉ ±0.1	d ₁	d ₂ tol. H7	d ₃ tol. H7	d ₄	w ₁	w ₂	w ₃	w ₄
47912.W0001	27	11	12	52	55	35	37	28	55	45	321	19	10	M10	M 8	48	45	45	30
47912.W0002	27	11	12	52	55	35	37	28	55	45	335	22	10	M10	M 8	54	52	52	30
47912.W0003	40	15	12	70	80	55	50	35	65	75	488	30	12	M12	M10	76	74	62	50

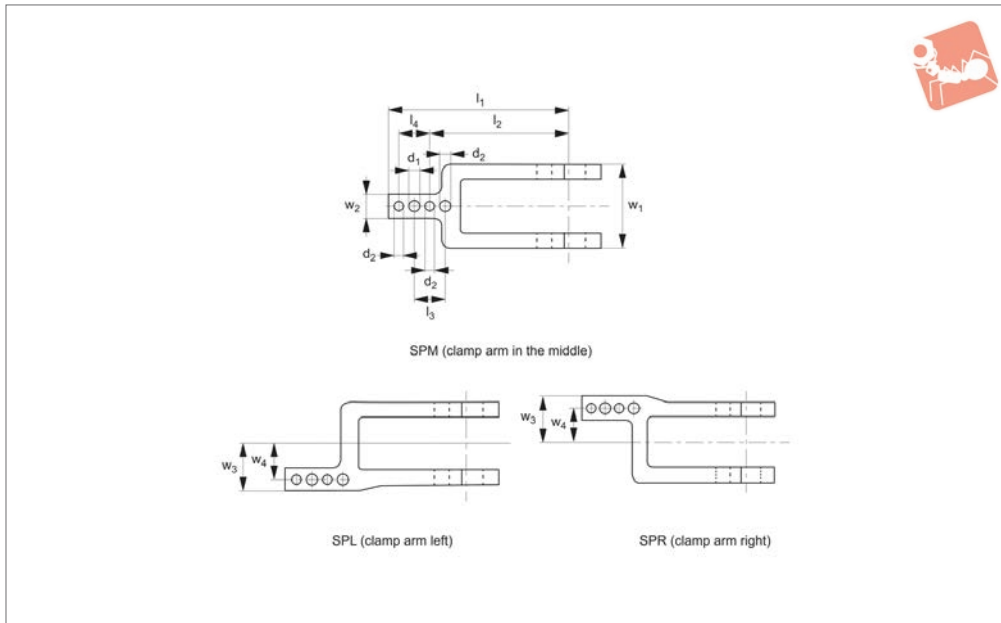




Clamp Arm

for 47912.W0001 - .W0003

Pneumatic Toggle Clamps



47912.2

PNEUMATIC TOGGLE CLAMPS

Material

Steel.

Technical Notes

For heavy pneumatic toggle clamp no. 47912, sizes 50, 63 and 80.

Order No.	Size	Article no.	l_1	l_2 ± 0.2	l_3 ± 0.02	l_4	d_1	d_2 tol. H7	w_1	w_2 -0.1	w_3	w_4 ± 0.1	Weight g
47912.W0210	50	Left	144	30	30	9	9	6	68	20	44	34.0	855
47912.W0211	50	Middle	144	30	30	9	9	6	68	20	44	34.0	855
47912.W0212	50	Right	144	30	30	9	9	6	68	20	44	34.0	855
47912.W0213	63	Left	144	30	30	9	9	6	78	20	47	37.0	1150
47912.W0214	63	Middle	144	30	30	9	9	6	78	20	47	37.0	1150
47912.W0215	63	Right	144	30	30	9	9	6	78	20	47	37.0	1150
47912.W0216	80	Left	179	30	30	9	9	6	108	25	63	50.5	1450
47912.W0217	80	Middle	179	30	30	9	9	6	108	25	63	50.5	1450
47912.W0218	80	Right	179	30	30	9	9	6	108	25	63	50.5	1450