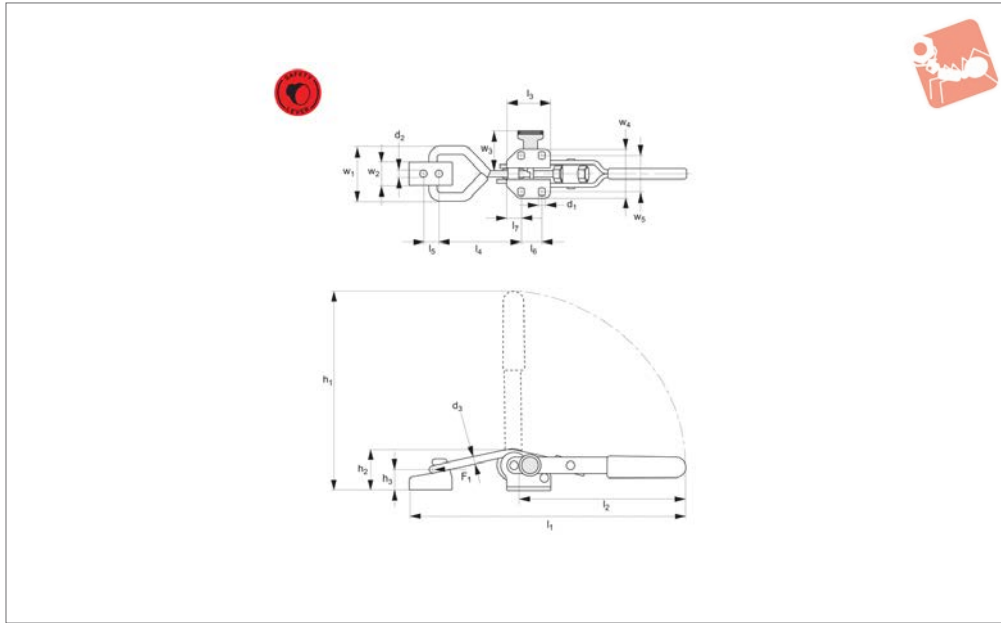




Latch Type Toggle Clamp

safety knob

Safety Lever Toggle Clamps



41620

SAFETY LEVER TOGGLE CLAMPS

Material

Body: steel, zinc plated.
 Rivets: stainless steel running in hardened bushes. Pre-lubricated bearings (grease suitable for food industry use).
 Handle: oil-resistant plastic with large grip area.

Technical Notes

The safety knob locks the clamp in the closed position. This prevents opening under vibration or inadvertent movement of the clamping arm when loading or unloading a fixture.
 Pull out the safety knob to release the

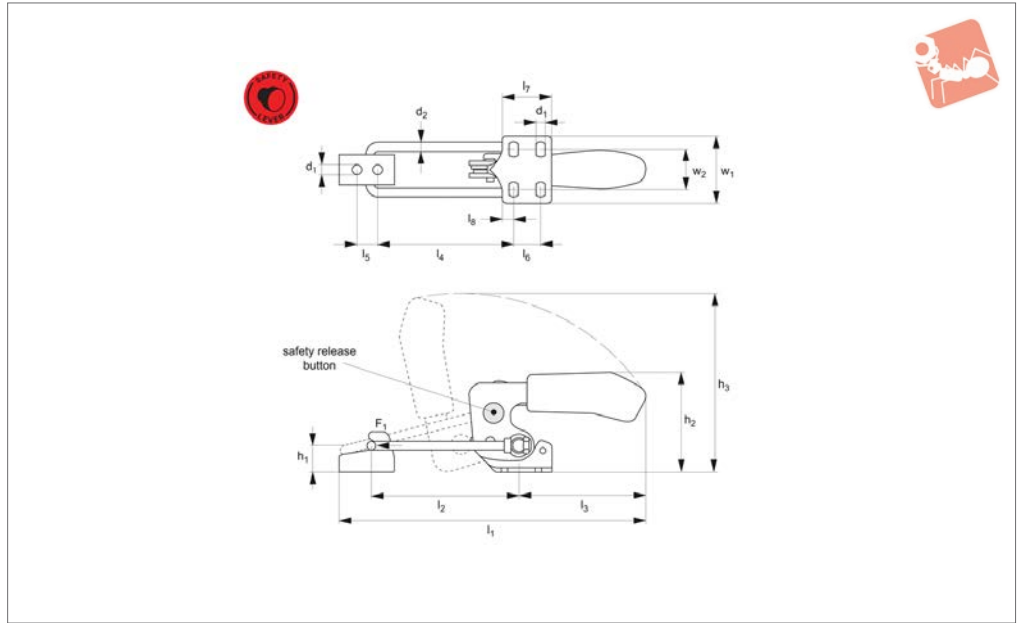
clamp.

Supplied complete with counter strike.
 For additional counter strikes, see part 41801.W00012- .W0014.
 Temperature range -10°C to +80°C.

Order No.	Size	F_1 kN	h_1	h_2	h_3	l_1	l_2	l_3	l_4	Weight g	
41620.W0003	3	3	179	38	19	257	149	40	79.5	295	
Order No.	l_5	l_6	l_7	w_1	w_2	w_3	w_4	w_5	d_1	d_2	$\varnothing d_3$
41620.W0003	14	19	13	49	21	38.5	32-35	45	5.6	6.5	7.1



41805.1



SAFETY LEVER TOGGLE CLAMPS

Material

Body: steel, zinc plated.
 Rivets: stainless steel running in hardened bushes. Pre-lubricated bearings (grease suitable for food industry use).
 Handle: ergonomic soft feel, oil-resistant with a large grip area.

Hook: steel, tempered.

Technical Notes

The safety button locks the clamp in the closed position. This prevents opening under vibration or inadvertent movement of the clamping arm when loading or

unloading a fixture.

Temperature range -10°C to +80°C.

Tips

Also available in stainless steel version part no. 41805.W0304.

Order No.	Size	F ₁ kN	h ₁	h ₂	h ₃	l ₁ min.	l ₁ max.	l ₂ min.	l ₂ max.	l ₃	Weight g
41805.W0004	4	7.0	26	94	168	209	273	66	130	111	850
Order No.	l ₄ min.	l ₄ max.	l ₅	l ₆	l ₇	l ₈	w ₁	w ₂	d ₁	d ₂	
41805.W0004	59	123	19	32	53.5	9.5	64.5	35-46	8.5	8	