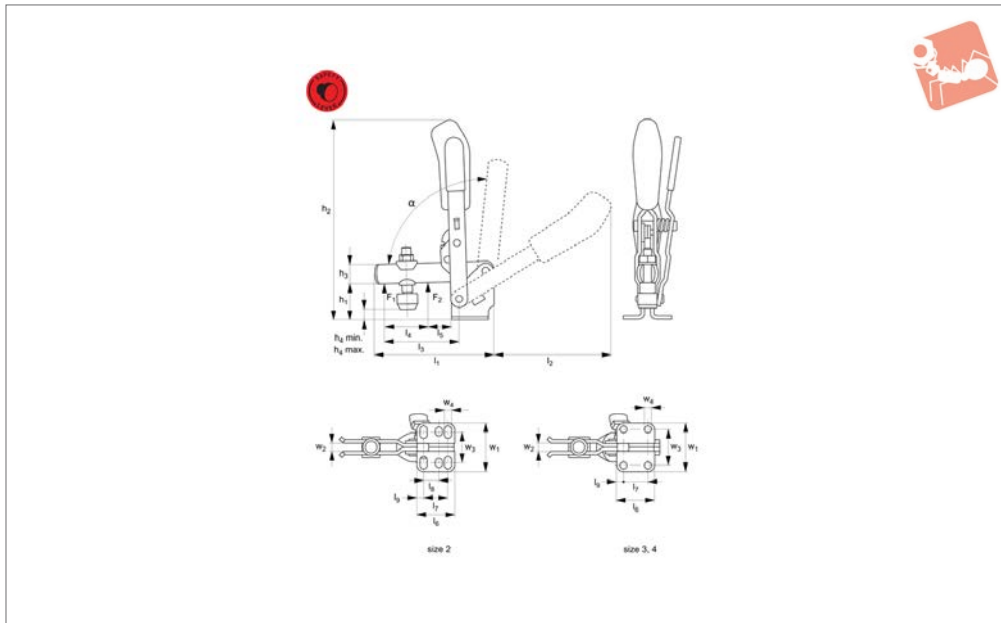




Vertical Acting Toggle Clamps

safety lever - open arm - horizontal base

Safety Lever Toggle Clamps



40010.1

SAFETY LEVER TOGGLE CLAMPS

Material

Body: steel, zinc plated. Rivets: stainless steel rivets running in hardened bushes. Pre-lubricated bearings (grease suitable for food industry use). Ergonomic soft feel oil-resistant handle with large grip area.

Supplied complete with clamping screw (with rubber pad).

Technical Notes

The safety lever holds the clamp in both the open and the closed position. This prevents opening under vibration or inad-

vertent movement of the clamping arm when loading or unloading a fixture. Opening angle (symbol α /symbol α /symbol α /symbol α *) can be changed by pressing in a stop pin on the clamp body. Temperature range -10°C to +80°C.

Order No.	Size	F ₁ kN	F ₂ kN	Clamping screw	h ₁	h ₂	h ₃	h ₄ min.	h ₄ max.	l ₁	l ₂	l ₃	Weight g
40010.W0002	2	1.0	1.2	M 6x35	23.0	139.5	12	-3	4.5	78	89	52	260
40010.W0003	3	1.4	2.5	M 8x45	33.0	186.0	18	2	11.0	112	112	79	470
40010.W0004	4	2.0	3.0	M 8x65	42.5	221.0	20	-6	22.5	141	130	101	690

Order No.	l ₄	l ₅	l ₆	l ₇	l ₈	l ₉	w ₁	w ₂	w ₃	w ₄	α	α^*
40010.W0002	25	11	32	20	12.5	6.0	43	6	23,0-31,0	5.5	105°	60°
40010.W0003	36	19	35	20	-	7.5	46	8	32.5	7.5	105°	60°
40010.W0004	54	16	53	32	-	13.0	64	10	45.0	8.6	105°	60°

Safety Lever Toggle Clamps

Vertical Acting Toggle Clamps

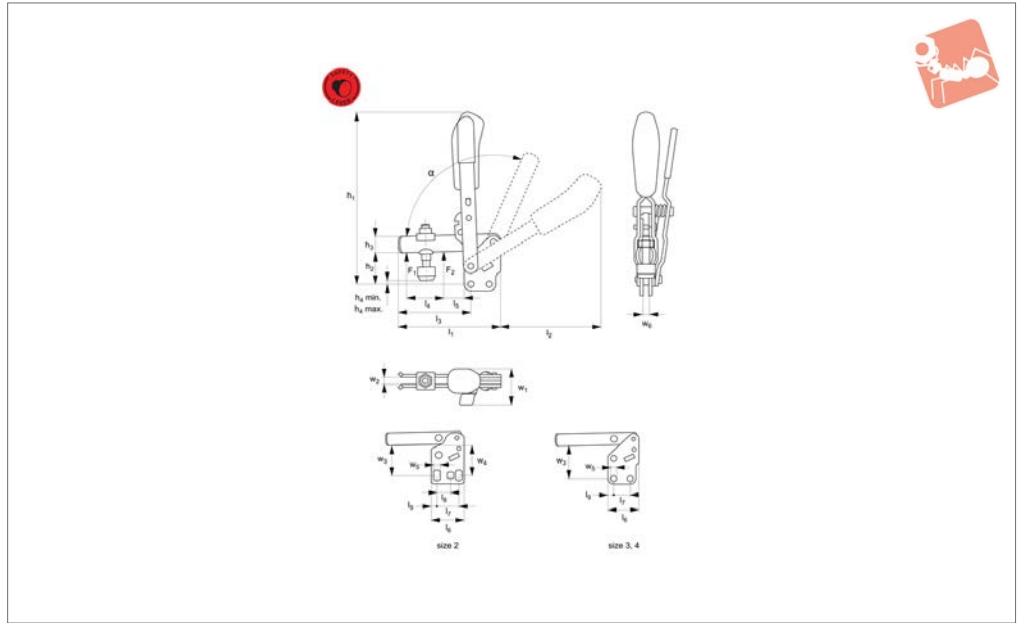
safety lever - open arm - vertical base



SAFETY LEVER TOGGLE CLAMPS



40060.1



Material

Body: steel, zinc plated. Rivets: stainless steel running in hardened bushes. Pre-lubricated bearings (grease suitable for food industry use). Ergonomic soft feel oil-resistant handle with large grip area. Supplied complete with clamping screw

(with rubber pad).

Technical Notes

Ideal for mounting to struts and on welding jigs. The safety lever holds the clamp in both the open and the closed position. This prevents opening under vibration or inad-

vertent movement of the clamping arm when loading or unloading a fixture. Opening angle (symbol α / symbol α^*) can be changed by pressing in a stop pin on the clamp body. Temperature range -10°C to $+80^\circ\text{C}$.

Order No.	Size	F ₁ kN	F ₂ kN	Clamping screw	h ₁	h ₂	h ₃	h ₄ min.	h ₄ max.	l ₁	l ₂	l ₃	Weight g
40060.W0002	2	1.0	1.2	M 6x35	154	38	12	11.5	19.5	78	89	52	175
40060.W0003	3	1.4	2.5	M 8x45	200	48	18	10.0	18.5	111	114	79	470
40060.W0004	4	2.0	3.0	M 8x65	244	65	20	16.5	45.5	141	130	101	690

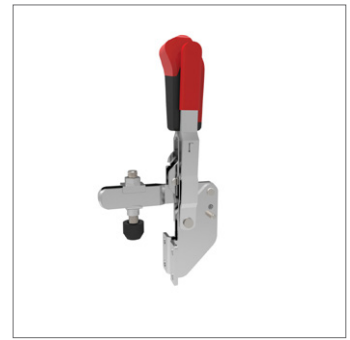
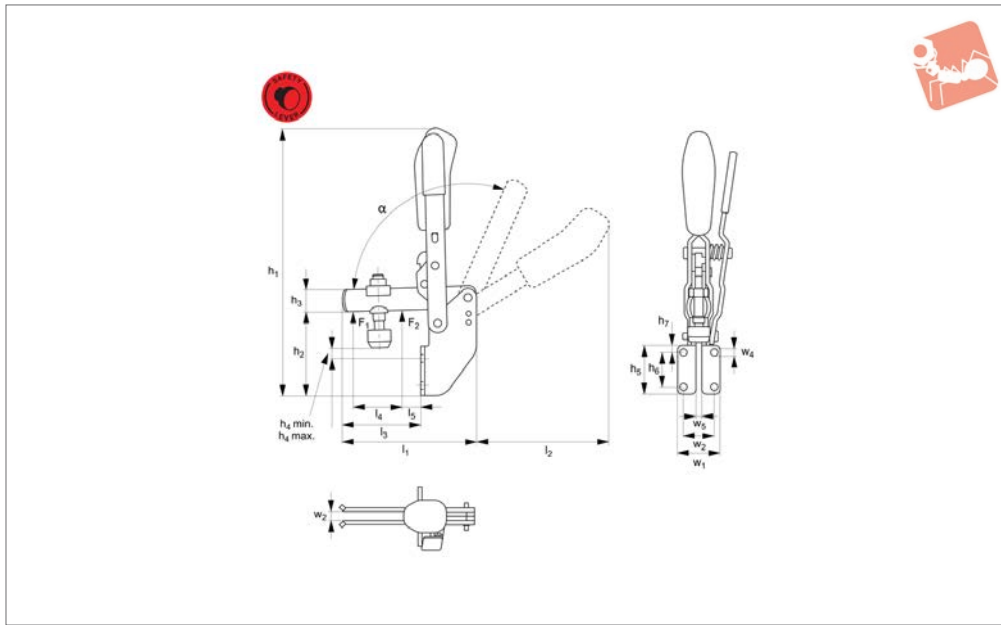
Order No.	l ₄	l ₅	l ₆	l ₇	l ₈	l ₉	w ₁	w ₂	w ₃	w ₄	w ₅	w ₆	α	α^*
40060.W0002	25	11	32	20	12.5	6.0	37.5	6	28,5-32,0	30	5.5	5	105°	60°
40060.W0003	37	19	40	20	-	7.5	48.0	8	41.0	-	7.5	6	105°	60°
40060.W0004	54	16	53	32	-	13.0	53.0	10	55.5	-	8.6	8	105°	60°



Vertical Acting Toggle Clamps

safety lever - open arm - angle base

Safety Lever Toggle Clamps



40120

SAFETY LEVER TOGGLE CLAMPS

Material

Body: steel, zinc plated. Rivets: stainless steel running in hardened bushes. Pre-lubricated bearings (grease suitable for food industry use). Ergonomic soft feel oil-resistant handle with large grip area.

Supplied complete with clamping screw (with rubber pad).

Technical Notes

Ideal for side mounting. The safety lever holds the clamp in both the open and the closed position. This

prevents opening under vibration or inadvertent movement of the clamping arm when loading or unloading a fixture. Opening angle (symbol α /symbol α /symbol α /symbol α) can be changed by pressing in a stop pin on the clamp body. Temperature range -10°C to +80°C.

Order No.	Size	F ₁ kN	F ₂ kN	Clamping screw	h ₁	h ₂	h ₃	h ₄ min.	h ₄ max.	h ₅	h ₆	h ₇	Weight g
40120.W0002	2	1.0	1.2	M 6x35	176.5	60.0	12	8	15.5	32	20	6	250
40120.W0003	3	1.4	2.5	M 8x45	223.0	71.0	18	9	17.5	38	24	7	535
40120.W0004	4	2.0	3.0	M 8x65	280.0	101.5	20	11	39.5	96	32	54	750

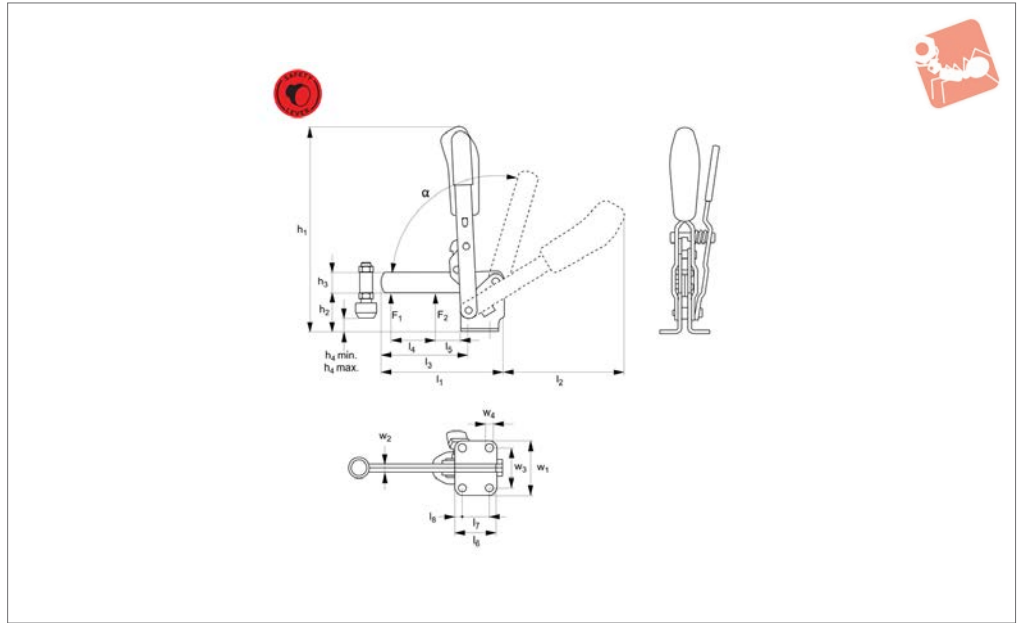
Order No.	l ₁	l ₂	l ₃	l ₄	l ₅	w ₁	w ₂	w ₃	w ₄	w ₅	α	α^*
40120.W0002	77	90	41	25	6	37.0	6	25.5	6.1	5	105°	60°
40120.W0003	110	112	62	37	11	42.5	8	28.5	6.5	6	105°	60°
40120.W0004	141	129	83	54	11	52.0	10	32.0	8.5	8	105°	60°

Safety Lever Toggle Clamps

Vertical Acting Toggle Clamps safety lever - solid arm - horizontal base



40160



SAFETY LEVER TOGGLE CLAMPS

Material

Body: steel, zinc plated. Rivets: stainless steel running in hardened bushes. Pre-lubricated bearings (grease suitable for food industry use). Ergonomic soft feel oil-resistant handle with large grip area. Supplied complete with weldable clamping

screw (with rubber pad).

Technical Notes

For fastening to mounting plates, etc. The arm can be shortened to suit the work-piece. The sleeve is then welded to the arm.

The safety lever holds the clamp in both

the open and the closed position. This prevents opening under vibration or inadvertent movement of the clamping arm when loading or unloading a fixture. Opening angle (symbol α /symbol α /symbol α /symbol α *) can be changed by pressing in a stop pin on the clamp body. Temperature range -10°C to +80°C.

Order No.	Size	F ₁ kN	F ₂ kN	Clamping screw	h ₁	h ₂	h ₃	h ₄ min.	h ₄ max.	h ₅	Weight g		
40160.W0003	3	1.4	2.5	M 8x45	186	48.0	18	0	12	35	470		
40160.W0004	4	2.0	3.0	M 8x65	220	42.5	20	-8	21	53	690		
Order No.	h ₆	h ₇	l ₁	l ₂	l ₃	l ₄	l ₅	w ₁	w ₂	w ₃	w ₄	α	α^*
40160.W0003	20	7.5	112	112	81	43	19	46	6	32	7.1	105°	60°
40160.W0004	32	13.0	140	130	101	61	16	64	8	45	8.5	105°	60°