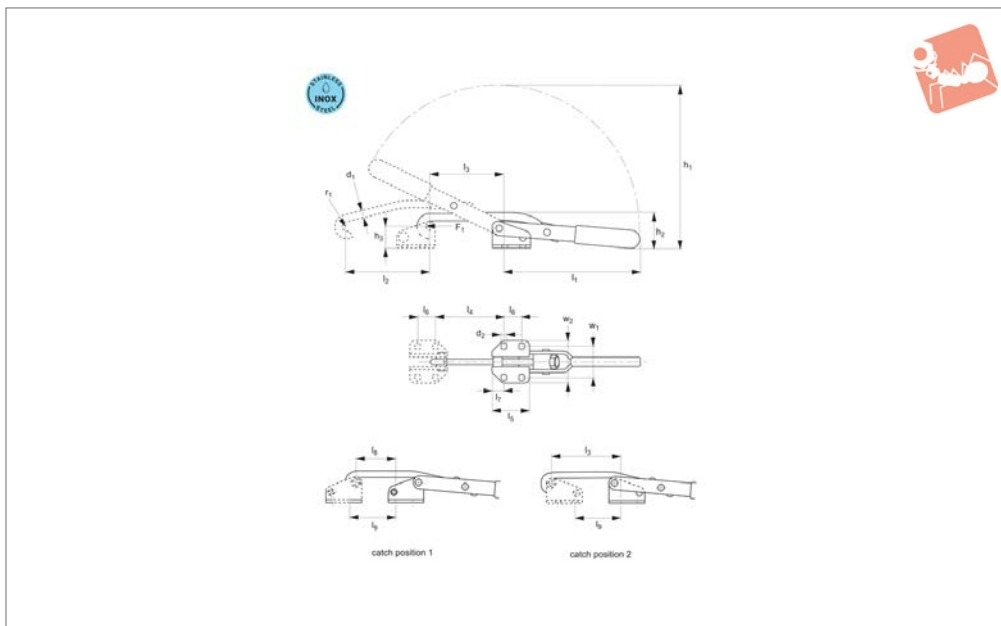




Hook Type Toggle Clamps

stainless steel

Stainless Steel Toggle Clamps



41700.4

STAINLESS STEEL TOGGLE CLAMPS

Material

Body: stainless steel (AISI 304, 1.4301).
 Rivets: stainless steel running in hardened bushes. Pre-lubricated bearings.
 Handle: oil-resistant plastic with large grip

area.

Technical Notes

For counter strike see part no. 41740.
 W0011- .W0015.

The length of the hook is adjustable by rotating the threaded hook to extend or contract its reach.

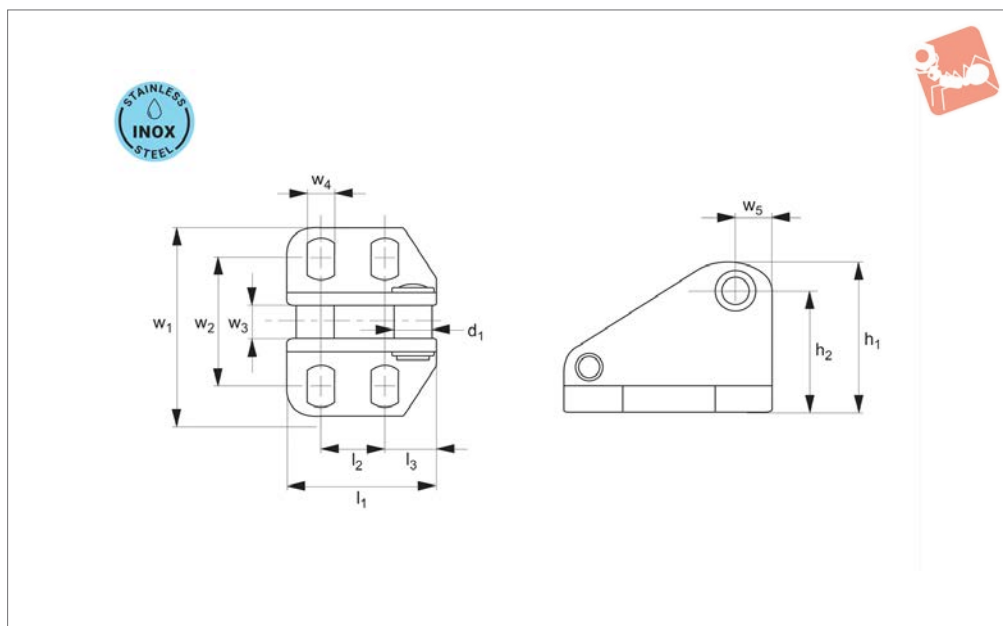
Temperature range -10°C to +80°C.
 Suitable for food industry.

Order No.	Size	F_1 kN	h_1	h_2	h_3	l_1	l_2	l_3	l_4	Weight g
41700.W0301	1	1.0	111	35.0	22.7	88	45	35,0-42,0	35,0-42,5	100
41700.W0303	3	1.5	179	36.5	22.7	148	97	65,5-77,0	72,5-84,0	270
41700.W0305	5	2.5	280	70.5	49.1	228	146	57,0-71,0	58,0-72,0	850

Order No.	l_5	l_6	l_7	l_8	l_9	w_1	w_2	d_1	d_2	r_1	Adj. distance
41700.W0301	31	19	6	16,5-23,5	16,0-23,0	40	25,5-30,5	6	4.5	4.5	8
41700.W0303	40	19	13	39,5-50,5	32,5-44,0	45	31,0-36,0	8	5.6	5.5	12
41700.W0305	55	29	13	27,5-42,0	26,5-40,0	85	56,0-63,5	12	11.2	8.0	14



41740.4



Material

Stainless steel (AISI 304, 1.4301), polished.

Tips

For zinc plated and passivated version see part no. 41740.W0011- .W0005.

Technical Notes

Catch for no. 41700.W0001- .W0005.

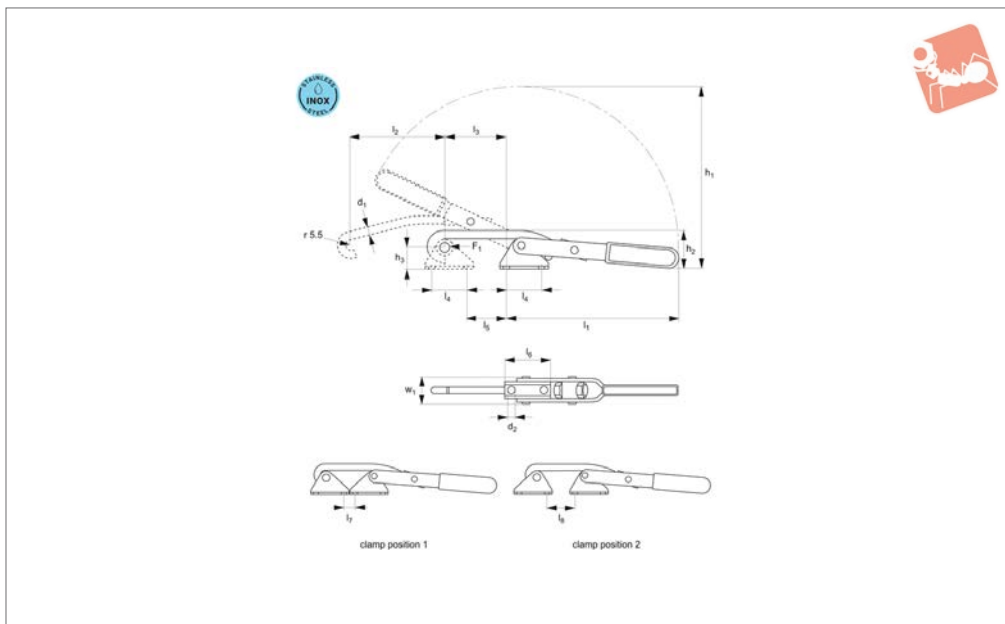
Order No.	Size	h_1	h_2	l_1	l_2	l_3	w_1	w_2	w_3	w_4	w_5	d_1	Weight g
41740.W0311	1	29	22.7	31	19	6	40	26,0-30,0	6.9	4.5	6	8	40
41740.W0313	3	29	22.7	40	19	13	45	31,3-35,8	10.9	5.6	6	10	70
41740.W0315	5	61	49.1	55	29	13	86	56,5-64,0	13.8	11.2	12	15	320



Hook Type Toggle Clamp

stainless steel - narrow base

Stainless Steel Toggle Clamps



41781.4

STAINLESS STEEL TOGGLE CLAMPS

Material

Body: stainless steel (AISI 304, 1.4301).
Rivets: stainless steel running in hardened bushes. Pre-lubricated bearings.
Handle: oil-resistant plastic with large grip area.

Technical Notes

Suitable for use as a toggle type fastener

for the lids or covers of fixed or rotating drums and containers. The length of the hook is adjustable.

Their narrow base makes them ideal for applications where space is limited but holding forces must not be compromised.

The length of the hook is adjustable, up to 22mm. Adjustment made by rotating

the threaded hook to extend or contract its reach.

Temperature range -10°C to +80°C.

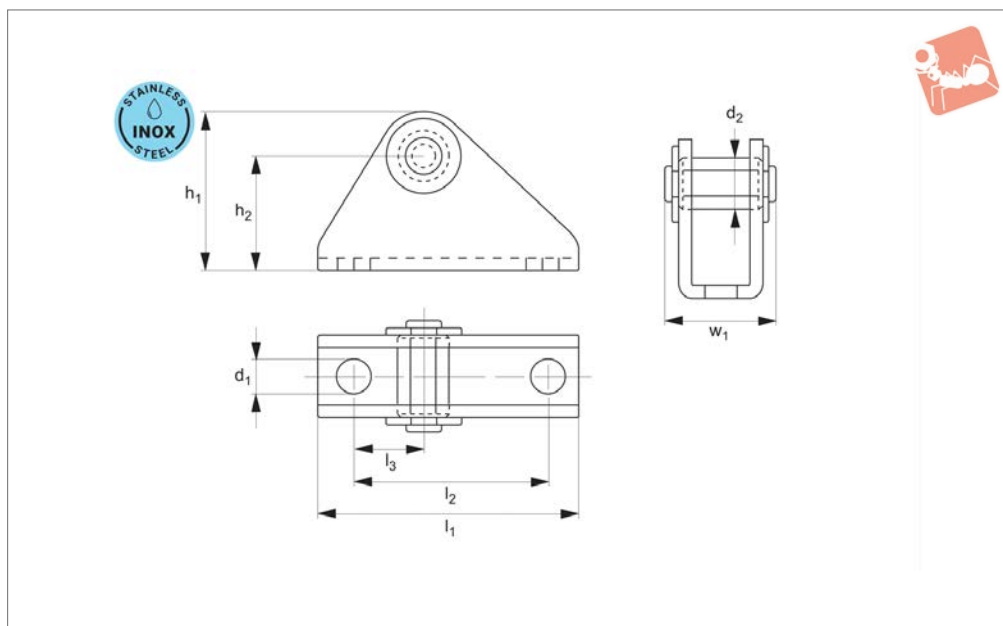
Tips

See part no. 41791.W0313 for fixed catch.

Order No.	Size	F ₁ kN	h ₁	h ₂	h ₃	l ₁	l ₂	l ₃	l ₄	l ₅	l ₆	l ₇	l ₈	w ₁	d ₁	d ₂	Adj. distance	Weight g
41781.W0303	3	1.5	179	37	23	169	98	44-55	38	15-41	52	15-20	29-41	26.5	8	6.5	22	270



41791.4



Material

Stainless steel (AISI 304, 1.4301), polished.

Technical Notes

The adjustment range of the clamp can be

altered by rotating the fixed catch.

Fixing catch for toggle clamp part no. 41791.W0003 Suitable for use in the food industry.

Order No.	Size	h_1	h_2	l_1	l_2	l_3	w_1	d_1	d_2	Weight g
41791.W0313	3	32	23	52	38	14	22	6.5	10	65