

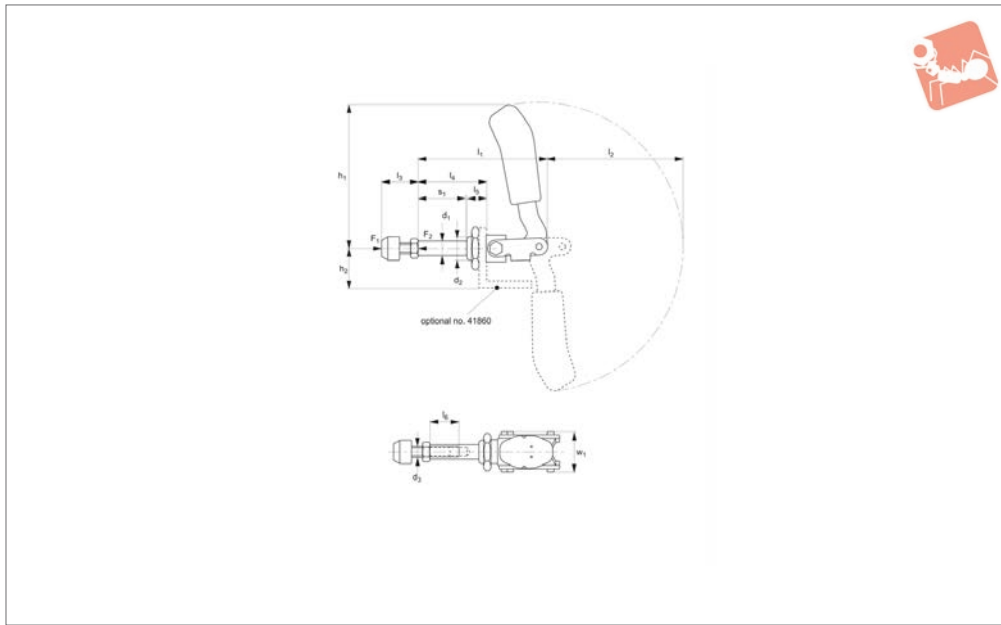


Push-Pull Toggle Clamps

compact version



Steel Toggle Clamps



41840.1

STEEL TOGGLE CLAMPS

Material

Body: steel, zinc plated.
 Rivets: stainless steel running in hardened bushes. Pre-lubricated bearings (grease suitable for food industry use).
 Ergonomic, soft feel, oil-resistant handle

with large grip area.
 Supplied complete with clamping screw (with rubber pad).

Technical Notes

Compact construction with long travel.

Temperature range -10°C to +80°C.

Tips

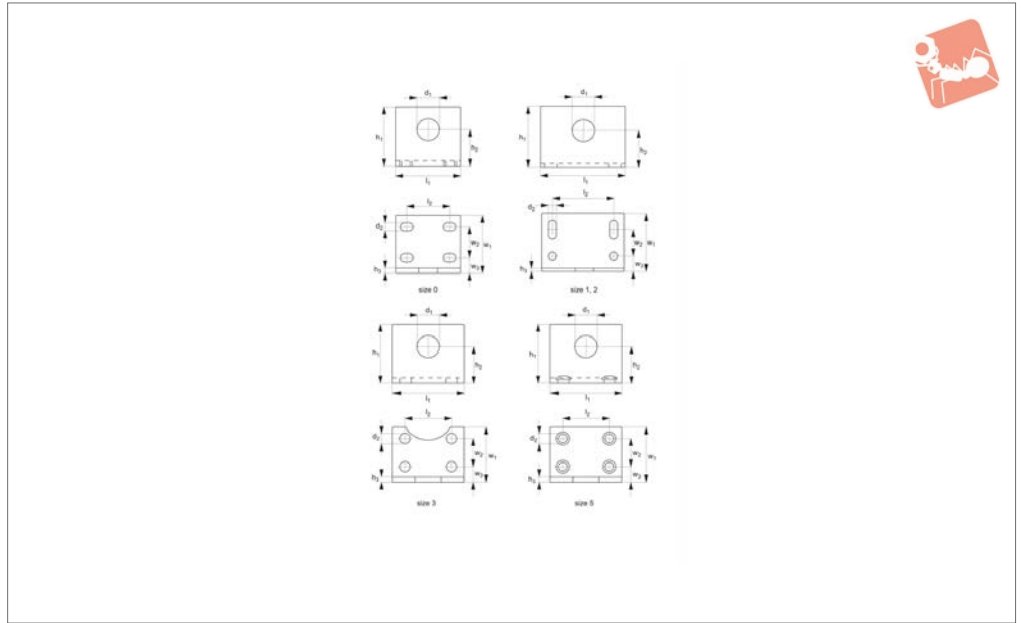
For stainless steel version see part no. 41840.W0002- .W0005.

Order No.	Size	Clamping screw	F ₁ kN	F ₂ kN	d ₁	d ₂	d ₃	h ₁	h ₂	Weight g
41840.W0002	2	M 6x25	1.0	1.0	10	M16x1,5	M 6	73	24	130
41840.W0003	3	M 8x35	2.5	2.5	12	M20x1,5	M 8	123	33	320
41840.W0005	5	M12x50	4.0	4.0	16	M24x1,5	M12	149	37	1200
41840.W0006	5-M27	M12x50	4.0	4.0	16	M27x2,0	M12	149	37	1200

Order No.	l ₁	l ₂	l ₃ min.	l ₃ max.	l ₄	l ₅	l ₆	w ₁	Stroke s ₁
41840.W0002	68.5	68	17	25	36	13	15	30.5	21.5
41840.W0003	108.5	115	22	35	57	16	25	33.0	40.0
41840.W0005	175.0	139	30	50	92	24	45	49.0	67.0
41840.W0006	175.0	139	30	50	92	24	45	49.0	67.0



41880.1



Material

Steel, zinc plated.

Technical Notes

The increased height of the centre line

allows a wide range of applications. Fastening by means of four screws.

For stainless steel version see part 41880.W0300- .W0305.

Order No.	Size	d ₁	d ₂	h ₁	h ₂	h ₃	l ₁	l ₂	w ₁	w ₂	w ₃	Weight g
41880.W0500	0	10.2	4.5	23	13	3	30	15,5-20,5	30	16	9.0	35
41880.W0501	1	12.2	6.7	40	24	4	60	40.0	40	18	11.0	135
41880.W0502	2	16.2	6.7	40	24	5	60	40.0	40	18	11.0	160
41880.W0503	3	20.2	6.7	50	33	6	65	41.0	44	19	14.5	235
41880.W0505	5	24.0	9.0	60	37	8	70	45.0	60	32	17.0	450
41880.W0506	5-M27	27.0	9.0	60	37	8	70	45.0	60	32	17.0	440

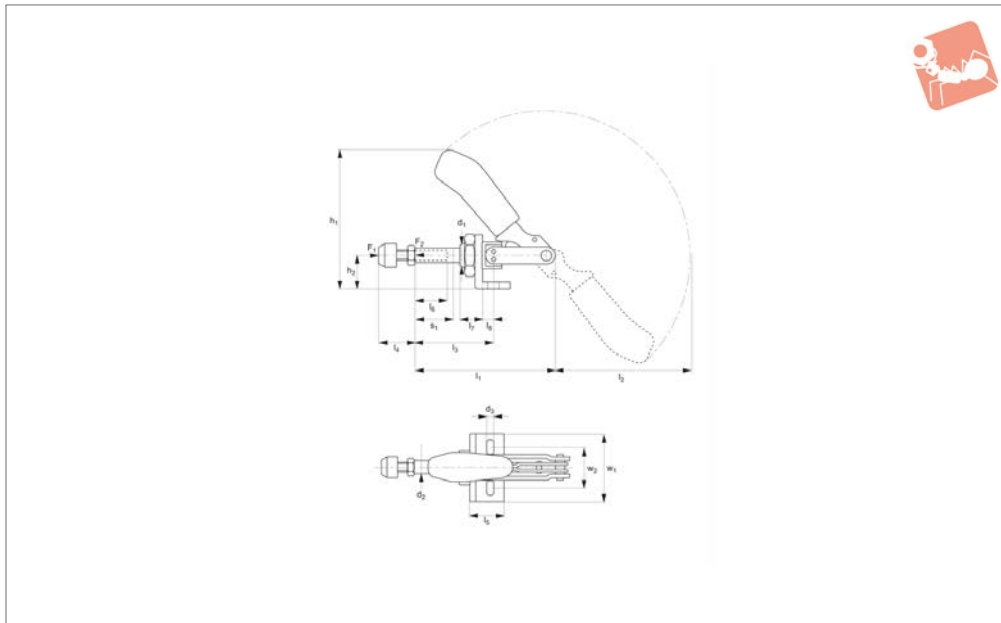


Push-Pull Type Toggle Clamps

extended push rod



Steel Toggle Clamps



42000.1

STEEL TOGGLE CLAMPS

Material

Body: steel, zinc plated.
Rivets: stainless steel running in hardened bushes. Pre-lubricated bearings (grease suitable for food industry use).
Ergonomic, soft feel, oil-resistant handle

with large grip area.
Supplied complete with clamping screw no. 45020 (with rubber pad).

Technical Notes

Temperature range -10°C to +80°C.

Tips

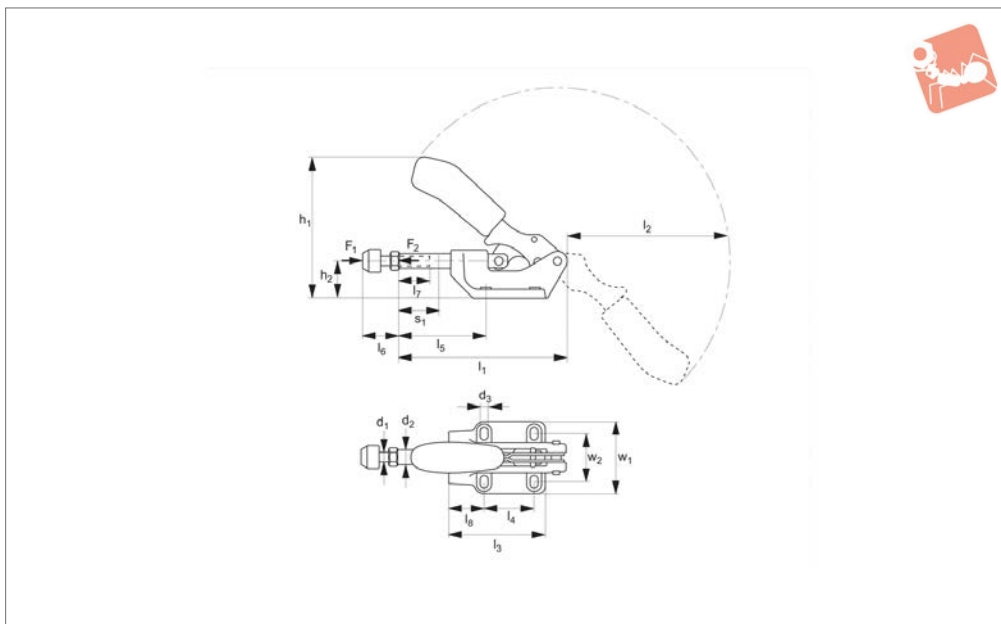
For stainless steel version see part no. 41890.W0000- .W0003.

Order No.	Size	Type	Clamping screw	F ₁ kN	F ₂ kN	d ₁	d ₂	d ₃	h ₁	h ₂	Weight g
42000.W0000	0	With Bracket	M 4x20	0.8	0.8	M10x1,0	6.5	4.5	49.3	12	65
42000.W0001	1	With Bracket	M 4x20	1.0	1.0	M12x1,5	8.0	4.5	60.5	15	125
42000.W0002	2	With Bracket	M 6x25	2.0	2.0	M16x1,5	10.0	5.6	85.5	20	245
42000.W0003	3	With Bracket	M 8x35	2.5	2.5	M20x1,5	12.0	6.5	108.0	25	445
42000.W0005	5	With Bracket	M12x50	4.5	4.5	M24x1,5	16.0	8.5	129.5	30	880
42000.W0006	5-M27	With Bracket	M12x50	4.5	4.5	M27x2,0	16.0	8.5	129.5	30	900
42000.W0010	0	W/o Bracket	M 4x20	0.8	0.8	M10x1,0	6.5	-	37.0	-	60
42000.W0011	1	W/o Bracket	M 4x20	1.0	1.0	M12x1,5	8.0	-	45.5	-	100
42000.W0012	2	W/o Bracket	M 6x25	2.0	2.0	M16x1,5	10.0	-	66.0	-	245
42000.W0013	3	W/o Bracket	M 8x35	2.5	2.5	M20x1,5	12.0	-	82.5	-	330
42000.W0015	5	W/o Bracket	M12x50	4.5	4.5	M24x1,5	16.0	-	99.0	-	700
42000.W0016	5-M27	W/o Bracket	M12x50	4.5	4.5	M27x2,0	16.0	-	99.0	-	720

Order No.	l ₁	l ₂	l ₃ min.	l ₃ max.	l ₄ min.	l ₄ max.	l ₅	l ₆	l ₇	l ₈	w ₁	w ₂	Stroke s ₁
42000.W0000	66.5	54.0	17.0	33.0	12	20	16	13	10	6.5	25	16.0	16
42000.W0001	91.0	74.0	24.5	44.5	12	20	20	20	16	7.0	30	16,0-19,5	20
42000.W0002	114.0	105.0	32.5	58.5	17	25	34	20	19	12.5	50	31,8- 36,0	26
42000.W0003	140.0	127.5	37.0	69.0	22	35	30	30	22	13.0	60	29,5-42,5	32
42000.W0005	171.5	158.0	41.5	81.5	30	50	35	50	25	15.5	65	29,0-46,0	40
42000.W0006	171.5	158.0	41.5	81.5	30	50	35	50	25	15.5	65	29,0-46,0	40
42000.W0010	66.5	54.0	10.5	26.5	12	20	-	13	10	-	17	-	16
42000.W0011	91.0	74.0	17.5	37.5	12	20	-	20	16	-	19	-	20
42000.W0012	114.0	105.0	20.0	46.0	17	25	-	20	19	-	24	-	26
42000.W0013	140.0	127.0	24.0	56.0	22	35	-	30	22	-	30	-	32
42000.W0015	171.5	158.0	26.5	66.5	30	50	-	50	25	-	36	-	40
42000.W0016	171.5	158.0	26.5	66.5	30	50	-	50	25	-	41	-	40



42050.1



Material

Base: cast iron, malleable, varnished.
 Lever and push rod: zinc plated, passivated and tempered.
 Rivets: stainless steel running in hardened

bushes. Pre-lubricated bearings (grease suitable for food industry use).
 Ergonomic, soft feel, oil-resistant handle with large grip area.
 Supplied complete with clamping screw

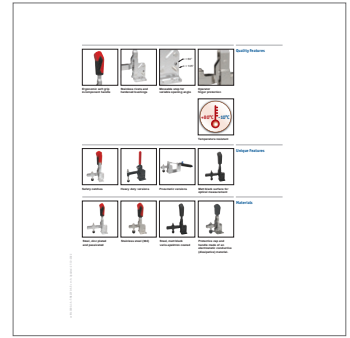
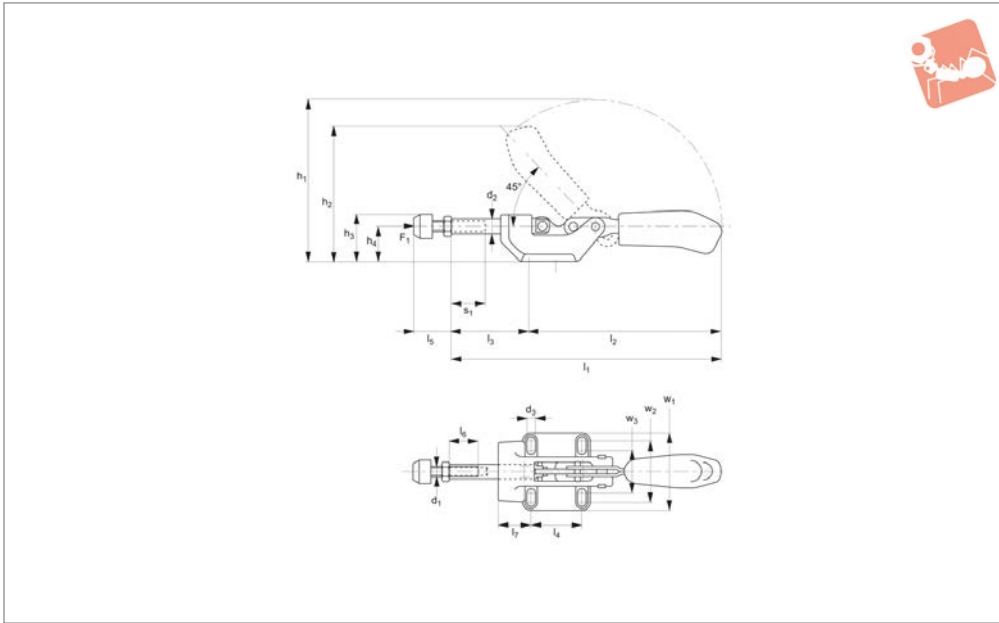
and rubber nose.
Technical Notes
 Temperature range -10°C to +80°C.

Order No.	Size	Clamping screw d_1	F_1 kN	F_2 kN	d_2	d_3	h_1	h_2	l_1	l_2	Weight g
42050.W0003	3	M 8x35	4	4	12	6.5	116.0	30	139	135	540
42050.W0005	5	M12x50	10	10	16	8.5	137.5	38	174	156	1115
42050.W0007	7	M12x50	25	25	22	11.0	179.0	55	218	192	2840

Order No.	l_3	l_4	l_5 min.	l_5 max.	l_6 min.	l_6 max.	l_7	l_8	w_1	w_2	Stroke s_1
42050.W0003	95	41	40	72	22	35	30	28	60	36-44	32
42050.W0005	121	41	58	98	30	50	50	45	71	41-50	40
42050.W0007	158	70	59	105	30	50	50	45	93	57-65	50



Reverse Action Push-Pull Toggle angle base - heavy duty



42070

STEEL TOGGLE CLAMPS

Material

Base: cast iron, malleable, varnished.
Lever and push rod: steel, zinc plated and tempered.
Rivets: stainless steel running in hardened bushes. Pre-lubricated bearings (grease suitable for food industry use).
Ergonomic, soft feel, oil-resistant handle

with large grip area.
Supplied complete with clamping screw and rubber nose.

Technical Notes

Reverse clamping position, clamp is locked when handle is extended at the back of the clamp (the reverse action of clamp no.

42050).
This toggle clamp boasts a low height when in the clamped position, making it ideal for use in small spaces.
Compatible with push-pull toggle clamps no. 42050.
Temperature range -10°C to +80°C.

Order No.	Size	Clamping screw d_1	F_1 kN	d_2	d_3	h_1	h_2	h_3	h_4	Weight g	
42070.W0003	3	M 8x35	4	12	6.5	133.5	109	39	30	540	
Order No.	l_1	l_2	l_3	l_4	l_5	l_6	l_7	w_1	w_2	w_3	Stroke s_1
42070.W0003	235	163	72	41	22-35	30	28	60	44	36	30